



US00D534984S

(12) **United States Design Patent**
Nye et al.

(10) **Patent No.:** **US D534,984 S**
(45) **Date of Patent:** **** Jan. 9, 2007**

(54) **PLAYGROUND EQUIPMENT**

(75) Inventors: **Stephen F. Nye**, Syracuse, UT (US);
Kyle Smith, Layton, UT (US); **Jeremy Evans**, Plain City, UT (US); **Jeff Tomlinson**, Syracuse, UT (US);
William Smith, Clearfield, UT (US);
Jacob Kearl, Plain City, UT (US)

(73) Assignee: **Performance Design, Inc.**, Clearfield, UT (US)

(**) Term: **14 Years**

(21) Appl. No.: **29/241,103**

(22) Filed: **Oct. 24, 2005**

(51) **LOC (8) Cl.** **21-03**

(52) **U.S. Cl.** **D21/818; D21/826**

(58) **Field of Classification Search** D21/811,
D21/814, 818-827; 482/35, 36
See application file for complete search history.

(56) **References Cited**

U.S. PATENT DOCUMENTS

D271,037 S * 10/1983 Gordon D21/822
D281,447 S * 11/1985 Gordon D21/822
4,796,884 A * 1/1989 Ely et al. 482/35

D426,224 S * 6/2000 Yoneda D21/827
D435,881 S * 1/2001 Gardner et al. D21/827
D468,387 S * 1/2003 Ezell D21/826
D524,895 S * 7/2006 VanDeusen et al. D21/820

* cited by examiner

Primary Examiner—Mitchell Siegel
(74) *Attorney, Agent, or Firm*—Workman Nydegger

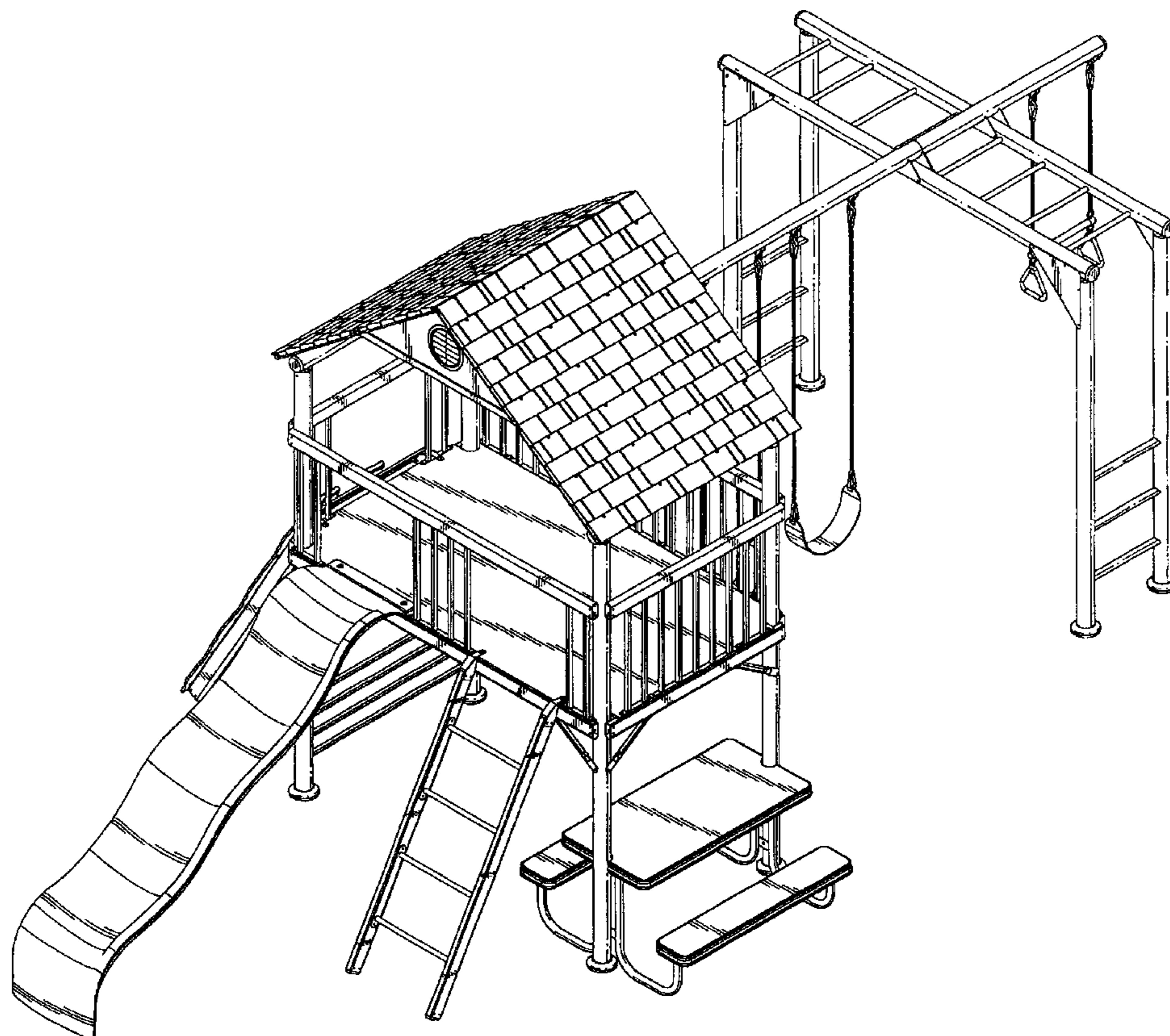
(57) **CLAIM**

The ornamental design for playground equipment, as shown and described.

DESCRIPTION

FIG. 1 is a perspective view of an exemplary embodiment of the playground equipment;
FIG. 2 is another perspective view of the playground equipment shown in FIG. 1;
FIG. 3 is a front view of the playground equipment shown in FIG. 1;
FIG. 4 is a top view of the playground equipment shown in FIG. 1;
FIG. 5 is a left side view of the playground equipment shown in FIG. 1; and,
FIG. 6 is a right side view of the playground equipment shown in FIG. 1.

1 Claim, 5 Drawing Sheets



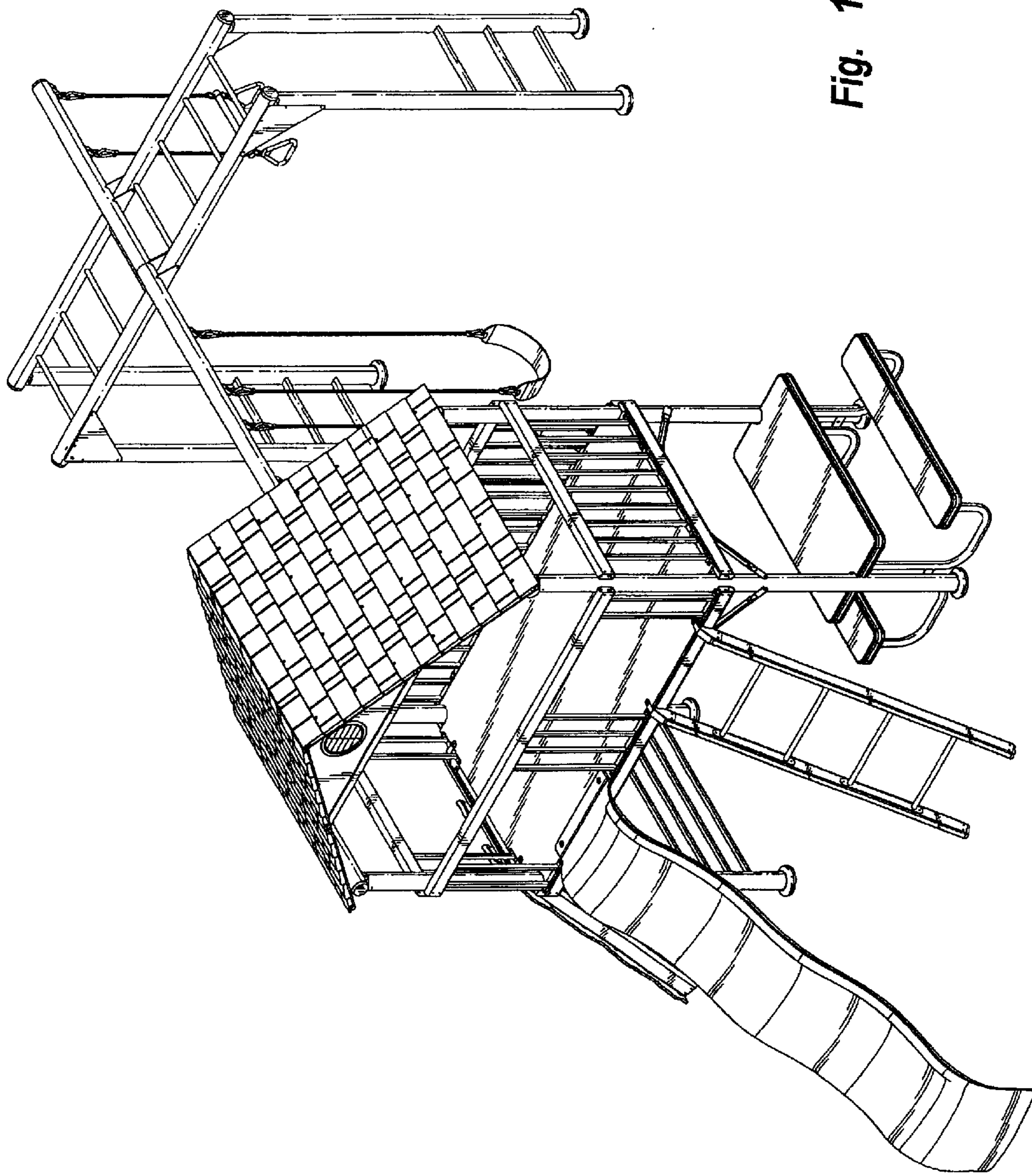


Fig. 1

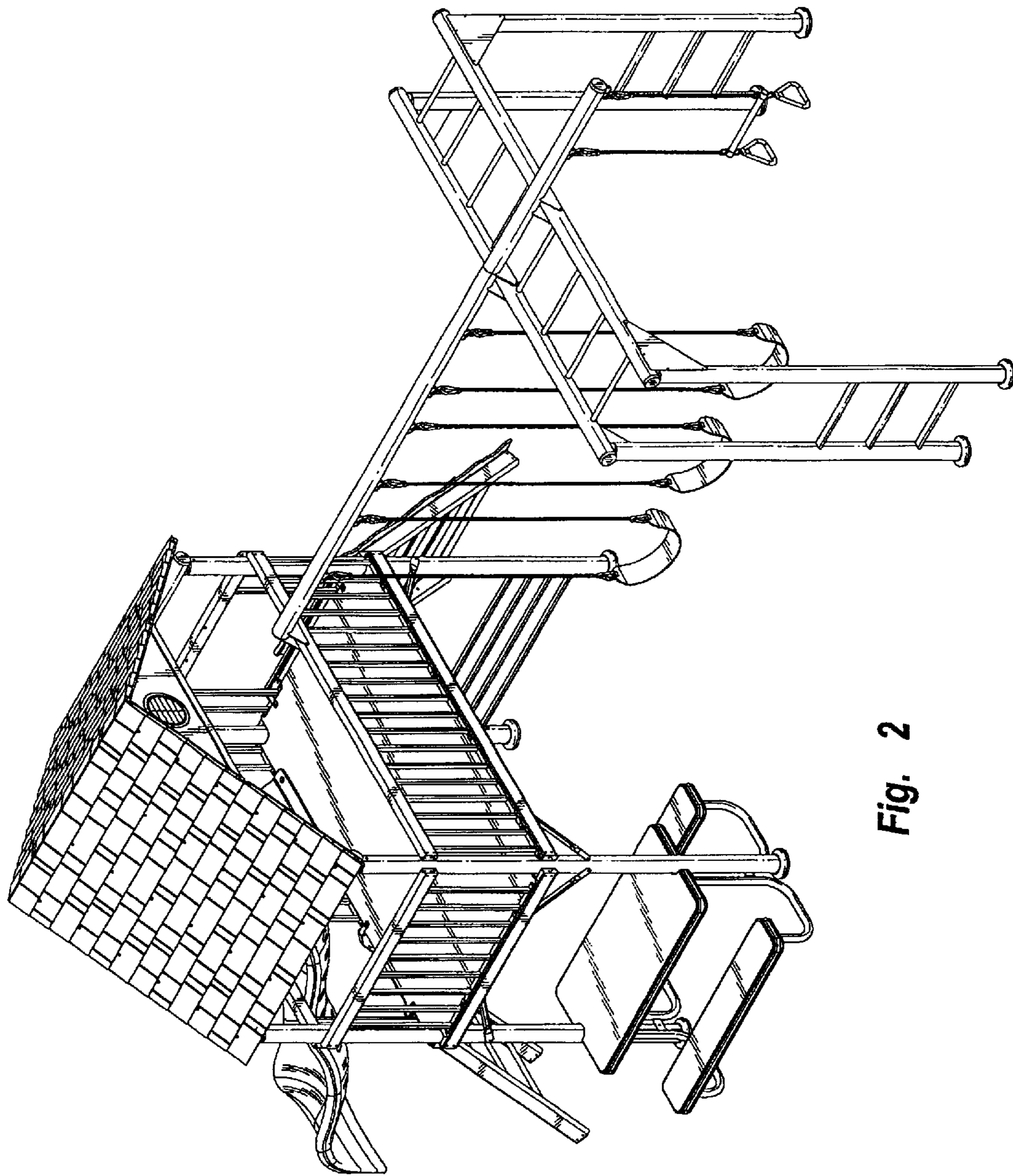


Fig. 2

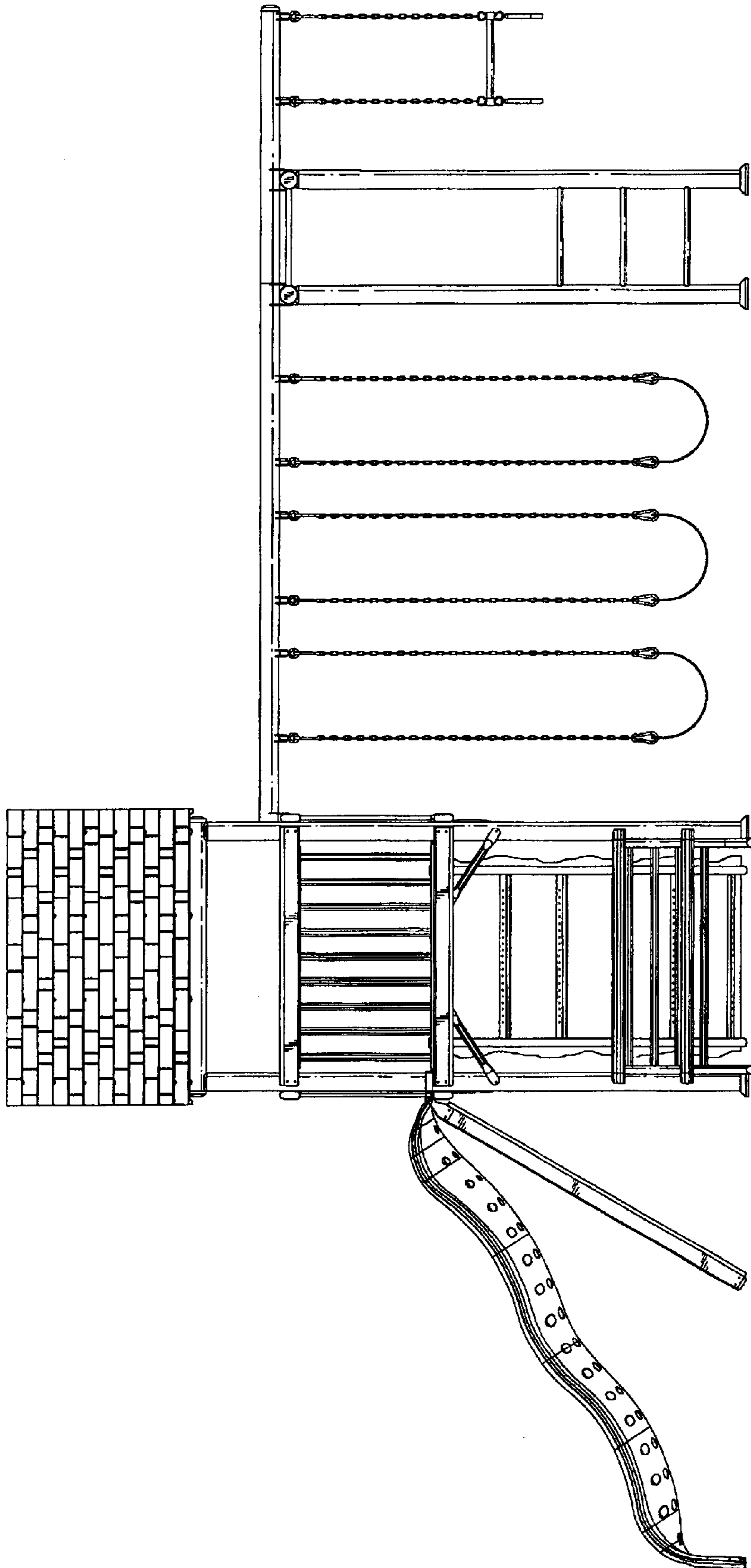


Fig. 3

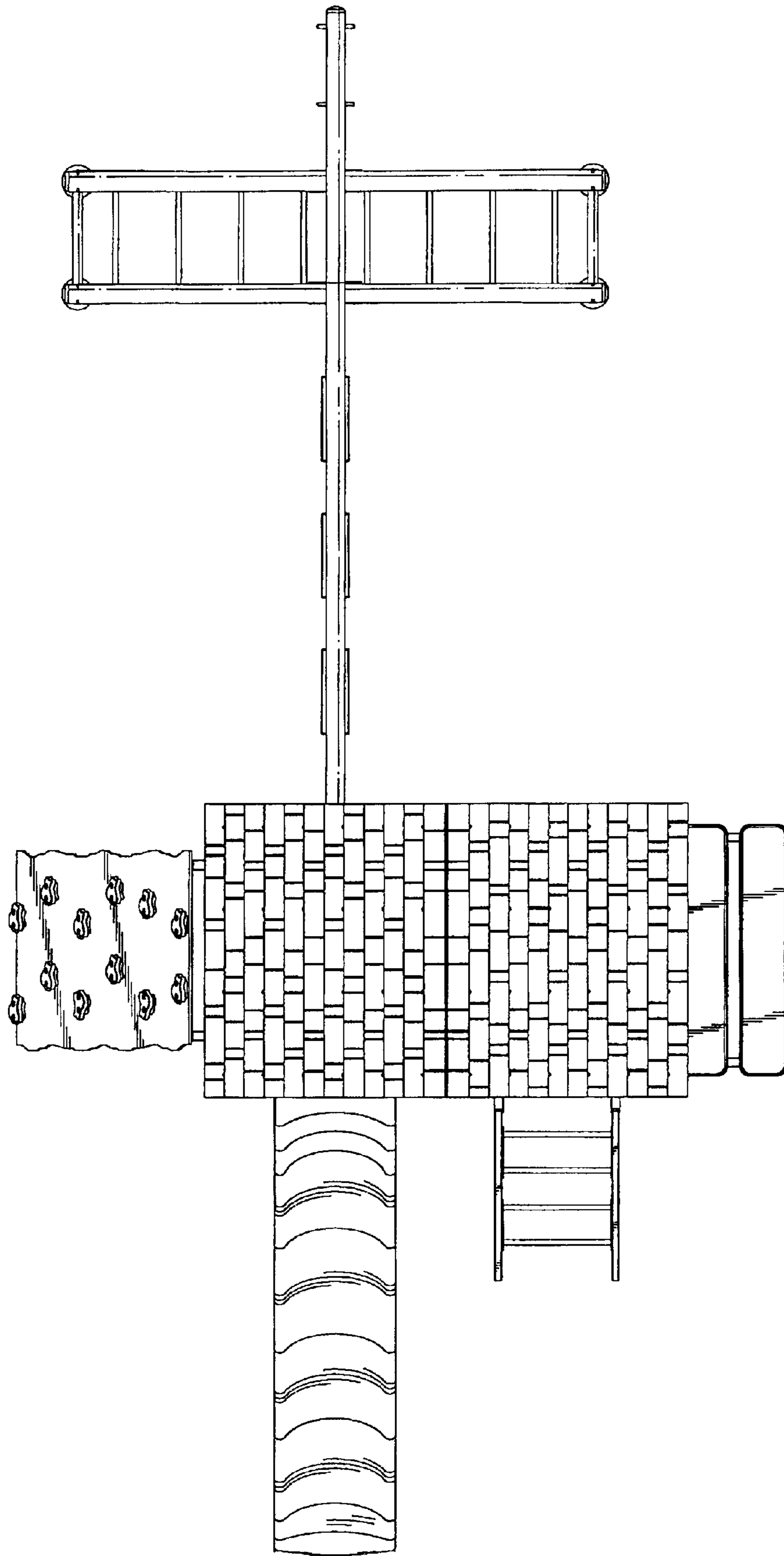


Fig. 4

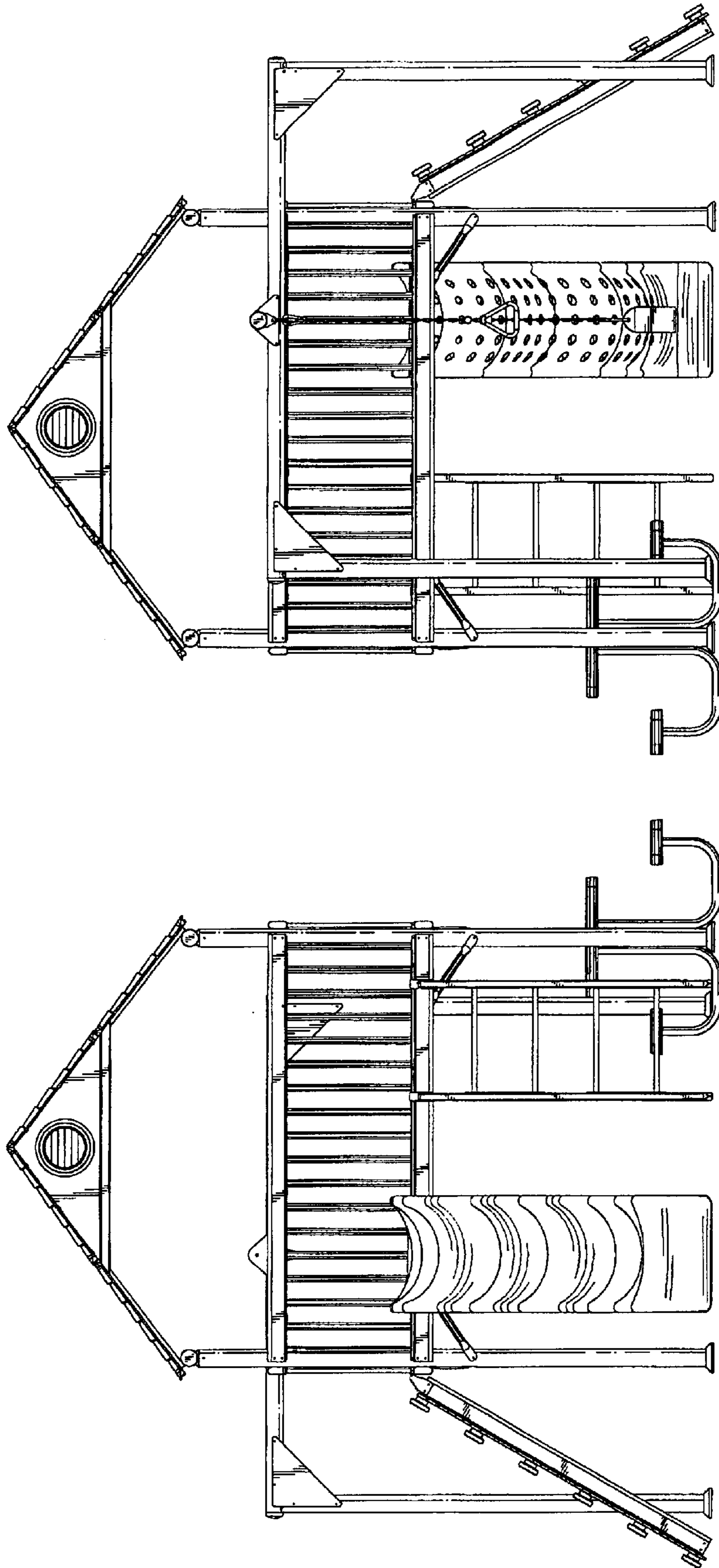


Fig. 6

Fig. 5

UNITED STATES PATENT AND TRADEMARK OFFICE
CERTIFICATE OF CORRECTION

PATENT NO. : Des. 534,984 S
APPLICATION NO. : 29/241103
DATED : January 9, 2007
INVENTOR(S) : Nye et al.

Page 1 of 1

It is certified that error appears in the above-identified patent and that said Letters Patent is hereby corrected as shown below:

Title Page

Item 56

Remove the following reference:

“D426,224 S * 6/2000 Yoneda..... D21/827”

Insert the following reference:

--D436,224 S * 1/2001 Gardner et al. D21/827--

Signed and Sealed this

Fourteenth Day of August, 2007

A handwritten signature in black ink on a dotted background. The signature reads "Jon W. Dudas" in a cursive style.

JON W. DUDAS

Director of the United States Patent and Trademark Office