



US00D534969S

(12) **United States Design Patent** (10) **Patent No.:** **US D534,969 S**
Orr (45) **Date of Patent:** **** Jan. 9, 2007**

(54) **TRIGGER ASSEMBLY**
(75) Inventor: **Jeffrey G. Orr**, Corona, CA (US)
(73) Assignee: **WGP, LLC**, Bentonville, AR (US)
(**) Term: **14 Years**

4,936,282 A 6/1990 Dobbins et al. 124/74
5,078,118 A 1/1992 Perrone 124/74
5,149,898 A 9/1992 Chesnut et al. 42/69.01
5,228,427 A 7/1993 Gardner, Jr. 124/71
5,261,384 A 11/1993 Hu 124/66
5,280,778 A 1/1994 Kotsiopoulos 124/73
5,282,454 A 2/1994 Bell et al. 124/49
5,293,708 A 3/1994 Strayer et al. 42/75.03

(21) Appl. No.: **29/235,511**
(22) Filed: **Aug. 2, 2005**

(Continued)

Related U.S. Application Data

(63) Continuation-in-part of application No. 29/168,837, filed on Oct. 9, 2002, now abandoned.
(51) **LOC (8) Cl.** **21-01**
(52) **U.S. Cl.** **D21/573; D22/108**
(58) **Field of Classification Search** D21/570-574;
D22/100, 101, 103, 104, 108, 109; 124/31,
124/65, 70-74, 77; 42/71.01, 75.02, 75.03,
42/76.01

See application file for complete search history.

(56) **References Cited**

U.S. PATENT DOCUMENTS

1,743,576 A 1/1930 Smith 124/72
2,550,887 A 5/1951 Tratsch 124/1
3,089,476 A 5/1963 Wolverton 124/11
3,273,553 A 9/1966 Doyle 124/3
3,374,708 A 3/1968 Wall et al. 89/1
4,207,799 A 6/1980 Tocco 89/196
4,282,795 A 8/1981 Beretta 89/148
4,589,327 A 5/1986 Smith 89/148
4,679,487 A 7/1987 Houseman 89/140
4,694,815 A 9/1987 Hung 124/27
4,819,609 A 4/1989 Tippmann 124/72

FOREIGN PATENT DOCUMENTS

GB 2391292 4/2004

Primary Examiner—Holly H. Baynham
Assistant Examiner—Cynthia M. Chin
(74) *Attorney, Agent, or Firm*—Keisling Pieper & Scott
PLC; David B. Pieper; Trent C. Keisling

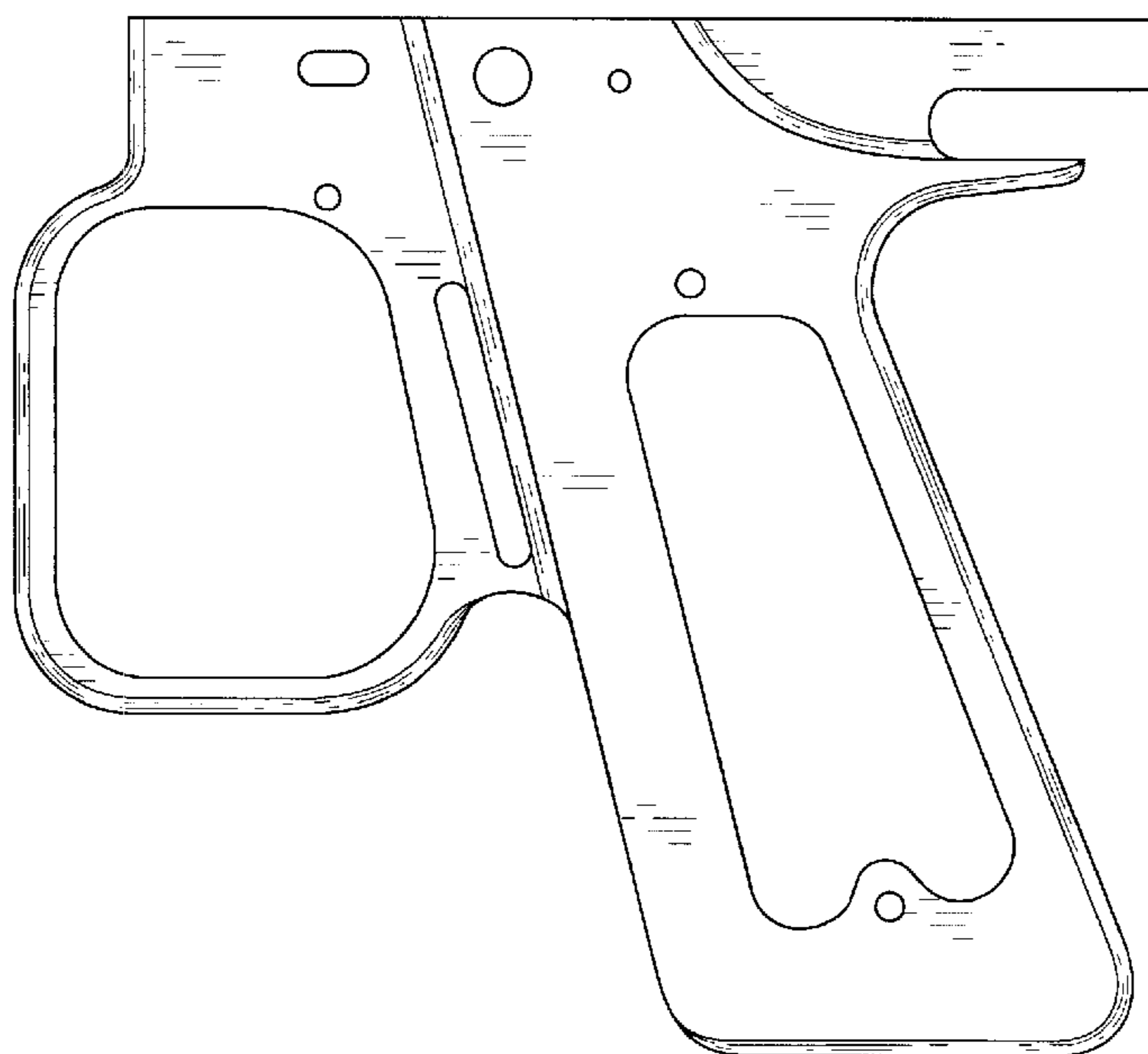
(57) **CLAIM**

The ornamental design for a trigger assembly, as shown and described.

DESCRIPTION

FIG. 1 is a left side view of a trigger assembly showing my new design.
FIG. 2 is a top view of a trigger assembly showing my new design.
FIG. 3 is a right side view of a trigger assembly showing my new design.
FIG. 4 is a bottom view of a trigger assembly showing my new design.
FIG. 5 is a back view of a trigger assembly showing my new design; and,
FIG. 6 is a front view of a trigger assembly showing my new design.

1 Claim, 3 Drawing Sheets



US D534,969 S

Page 2

U.S. PATENT DOCUMENTS

5,349,939	A	9/1994	Perrone	124/76	6,382,200	B1	5/2002	Levkov	124/73
5,370,105	A	12/1994	Firman	124/56	D458,333	S	6/2002	Power	D22/108
5,462,042	A	10/1995	Greenwell	124/76	D460,502	S	7/2002	Traum et al.	D21/573
D366,514	S	1/1996	Hochstrate et al.	D22/108	6,439,217	B1	8/2002	Shih	124/77
5,503,137	A	4/1996	Fusco	124/72	6,474,326	B1	11/2002	Smith et al.	124/77
5,596,162	A	1/1997	Burns	89/128	6,494,194	B1	12/2002	Shipachev et al.	124/73
5,613,483	A	3/1997	Lukas et al.	124/73	6,532,949	B1	3/2003	McKendrick	124/77
5,634,456	A	6/1997	Perrone	124/76	D473,910	S	* 4/2003	Rice et al.	D22/108
5,635,663	A	6/1997	Krieger et al.	89/142	6,553,983	B1	4/2003	Li	124/73
5,718,074	A	2/1998	Keeney	42/69.03	6,590,386	B1	7/2003	Williams	324/178
D393,115	S	3/1998	Bell et al.	D32/35	6,626,165	B1	* 9/2003	Bhogal	124/77
5,736,720	A	4/1998	Bell et al.	235/1	6,629,379	B1	10/2003	Doiron	42/70.11
5,755,213	A	5/1998	Gardner, Jr. et al.	124/73	6,637,420	B1	10/2003	Moritz	124/73
5,799,434	A	9/1998	Krieger et al.	42/69.03	6,637,421	B1	10/2003	Smith et al.	124/77
D399,914	S	* 10/1998	Walker	D21/572	D484,926	S	* 1/2004	Rice et al.	D21/573
5,878,736	A	3/1999	Lotuaco, III	124/71	6,694,963	B1	2/2004	Taylor	124/32
5,881,707	A	3/1999	Gardner, Jr.	124/77	6,705,036	B1	3/2004	Orr	42/69.01
5,890,479	A	4/1999	Morin	124/31	6,763,822	B1	7/2004	Styles	124/77
5,913,303	A	6/1999	Kotsiopoulos	124/31	6,802,305	B1	* 10/2004	Hatcher	124/31
5,967,133	A	10/1999	Gardner, Jr.	124/77	6,802,306	B1	10/2004	Rice	124/74
6,003,504	A	12/1999	Rice et al.	124/73	6,941,693	B1	* 9/2005	Rice et al.	42/71.01
6,035,843	A	3/2000	Smith et al.	124/77	2003/0131514	A1	7/2003	Rice et al.	42/69.01
6,048,280	A	4/2000	Palmer et al.	473/416	2003/0178018	A1	9/2003	Cherry	124/76
6,065,460	A	5/2000	Lotuaco, III	124/72	2003/0221684	A1	12/2003	Rice	124/71
6,138,656	A	10/2000	Rice et al.	124/73	2004/0011344	A1	1/2004	Rice et al.	124/73
6,142,137	A	11/2000	MacLaughlin	124/72	2004/0031836	A1	2/2004	Garcia	224/665
6,189,525	B1	* 2/2001	Kutrubes	124/31	2004/0074489	A1	4/2004	Neumaster et al.	124/79
D441,410	S	* 5/2001	Fernandez et al.	D21/574	2004/0084040	A1	5/2004	Jones	124/77
D454,685	S	3/2002	Parks et al.	D3/254					

* cited by examiner

FIG. 1

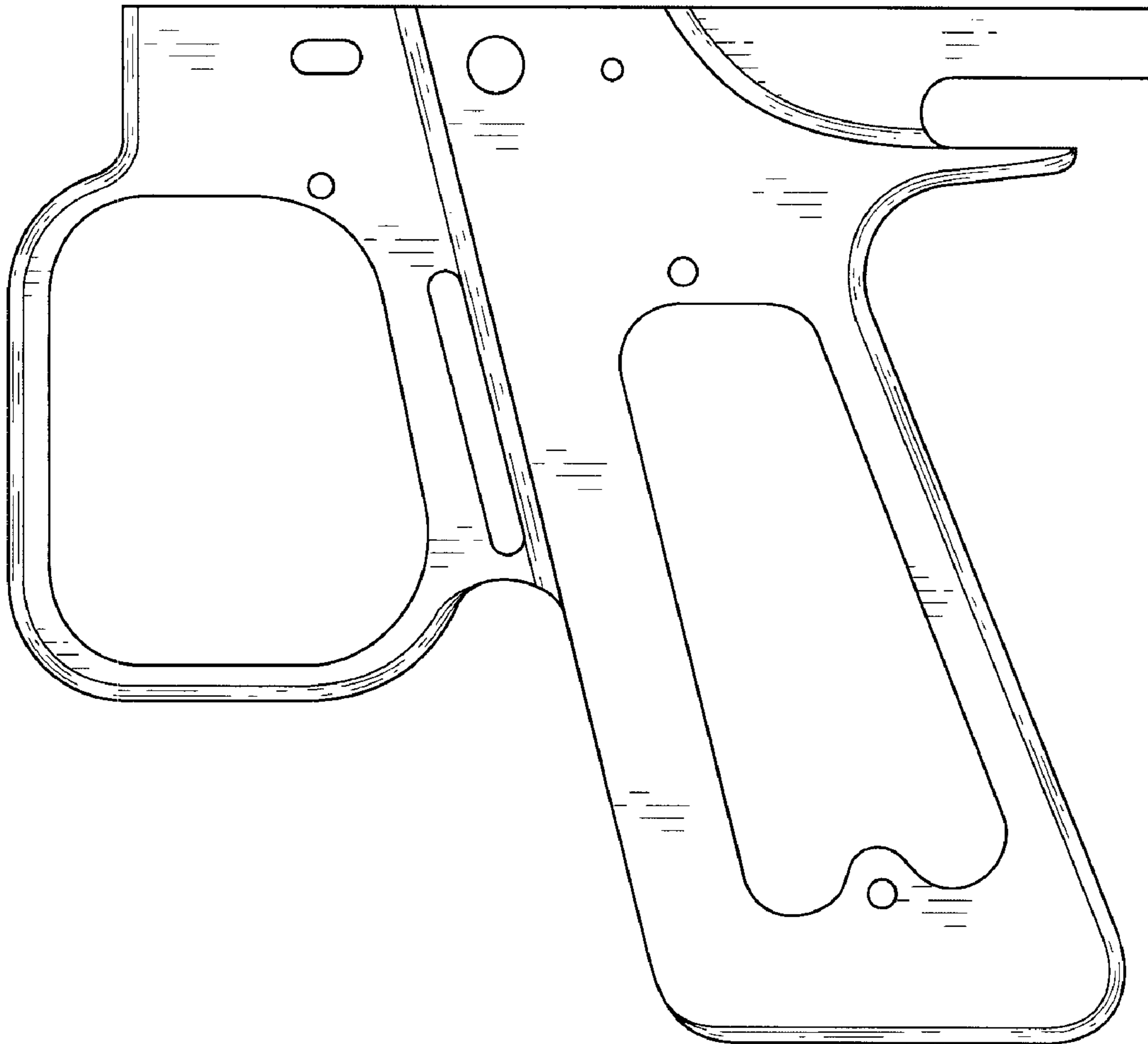


FIG. 2

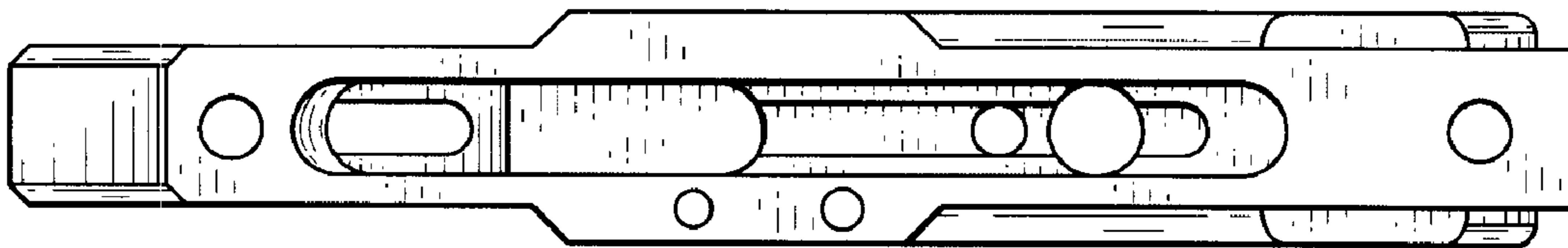


FIG. 3

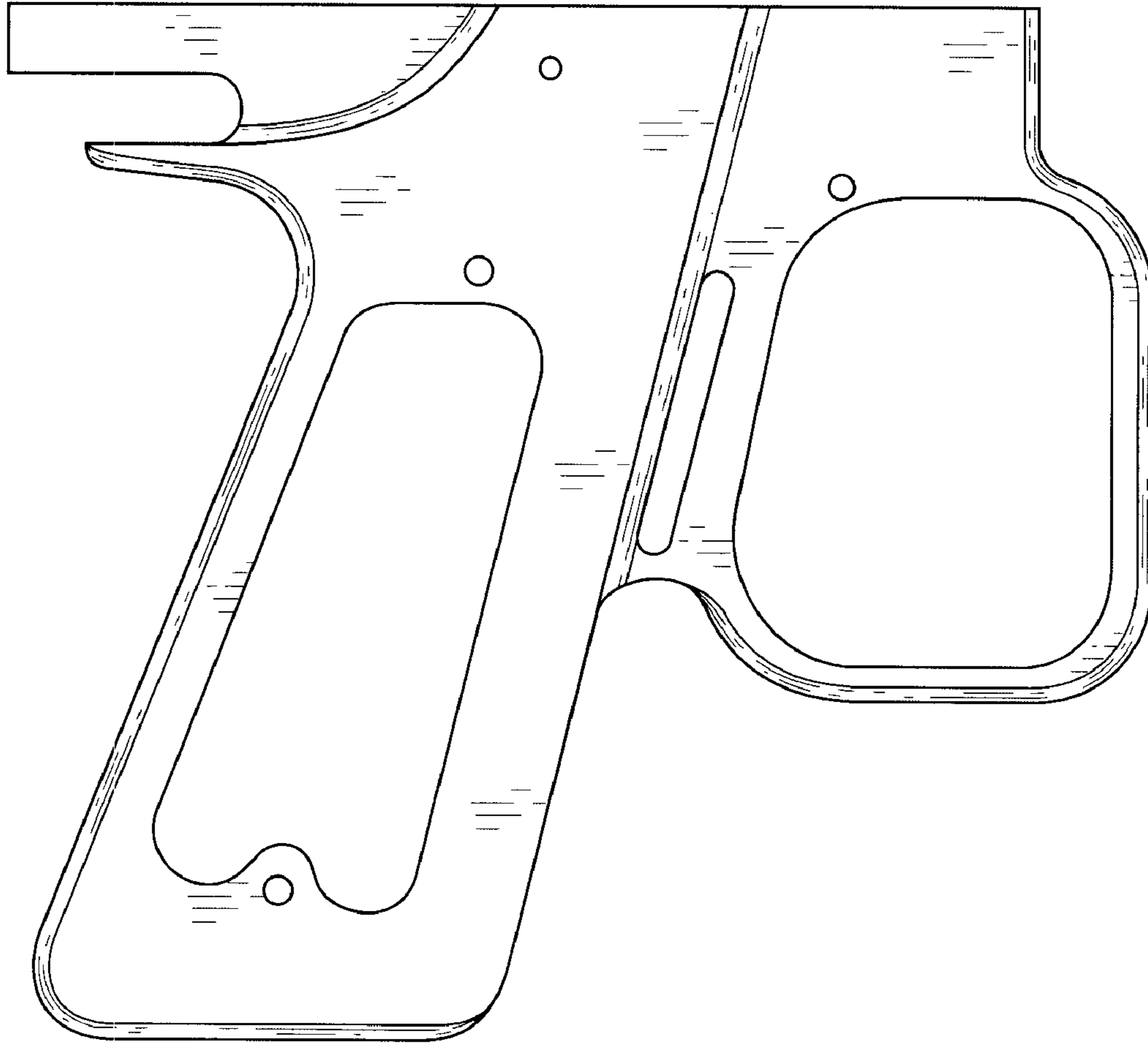


FIG. 4

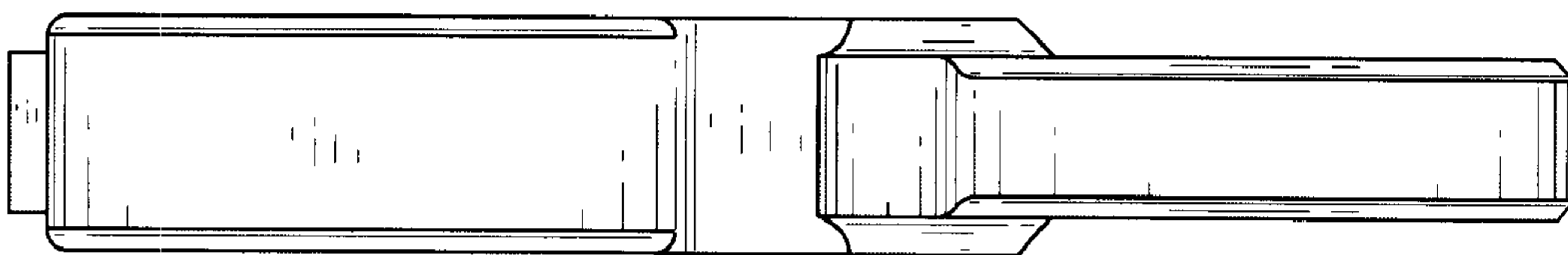


FIG. 5

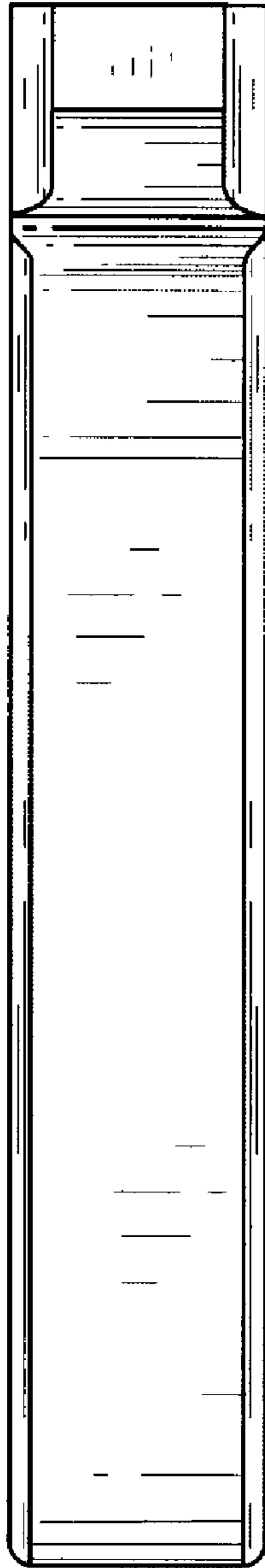


FIG. 6

