



US00D534967S

(12) **United States Design Patent**
Clark et al.

(10) **Patent No.: US D534,967 S**

(45) **Date of Patent: ** Jan. 9, 2007**

(54) **TOY CAR BASE**

4,813,906 A * 3/1989 Matsuyama et al. 446/457
D369,839 S * 5/1996 Tilbor et al. D21/548

(76) Inventors: **Leonard R. Clark**, 128 Weldy Ave.,
Oreland, PA (US) 19075; **H. Peter
Greene, Jr.**, 12 Words Way, Boyertown,
PA (US) 19512

* cited by examiner

Primary Examiner—Holly Baynham
Assistant Examiner—Cynthia M. Chin

(**) Term: **14 Years**

(74) *Attorney, Agent, or Firm*—Cohen, Pontani, Lieberman
& Pavane

(21) Appl. No.: **29/235,962**

(57) **CLAIM**

(22) Filed: **Aug. 9, 2005**

The ornamental design for a toy car base, as shown and
described.

(51) **LOC (8) Cl.** **21-01**

DESCRIPTION

(52) **U.S. Cl.** **D21/562**

(58) **Field of Classification Search** D21/533,
D21/548–551, 559–563; 446/431, 454–457,
446/465, 466, 469, 470; 29/273; D12/86,
D12/88, 93, 159

FIG. 1 is a top perspective view of the toy car base;
FIG. 2 is a bottom perspective view of the toy car base;
FIG. 3 is a left side view of the toy car base;
FIG. 4 is a right side view of the toy car base;
FIG. 5 is a top view of the toy car base;
FIG. 6 is a bottom view of the toy car base;
FIG. 7 is a front view of the toy car base; and,
FIG. 8 is a back view of the toy car base.

See application file for complete search history.

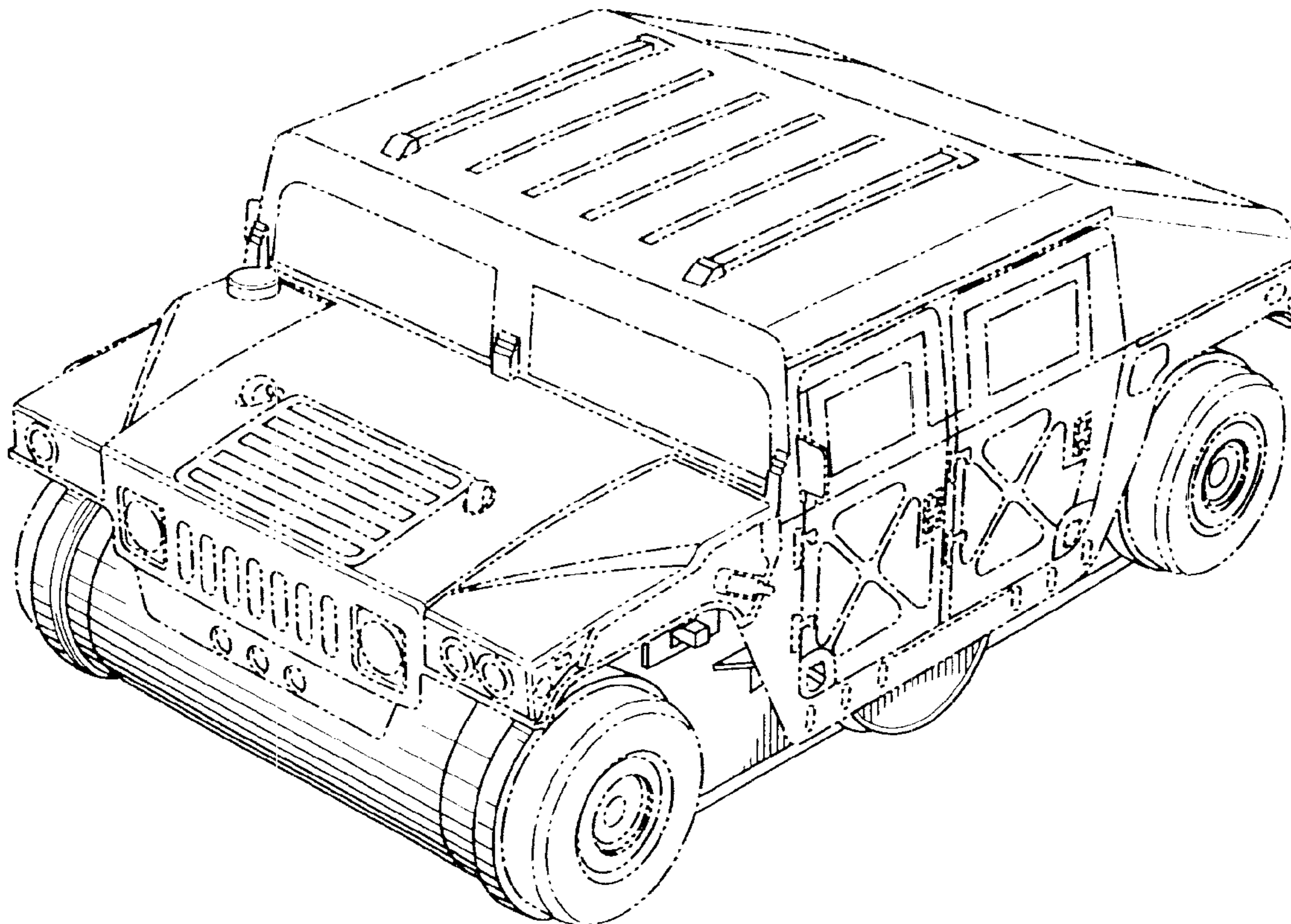
The broken lines immediately adjacent the shaded areas
represent the bounds of the claim and all other broken lines
are for illustrative purposes only. None of the broken lines
form a part of the claimed design.

(56) **References Cited**

U.S. PATENT DOCUMENTS

D238,798 S * 2/1976 Goldfarb D21/551
D274,344 S * 6/1984 Boudreaux et al. D21/533
4,459,776 A * 7/1984 Jaworski et al. 446/462

1 Claim, 5 Drawing Sheets



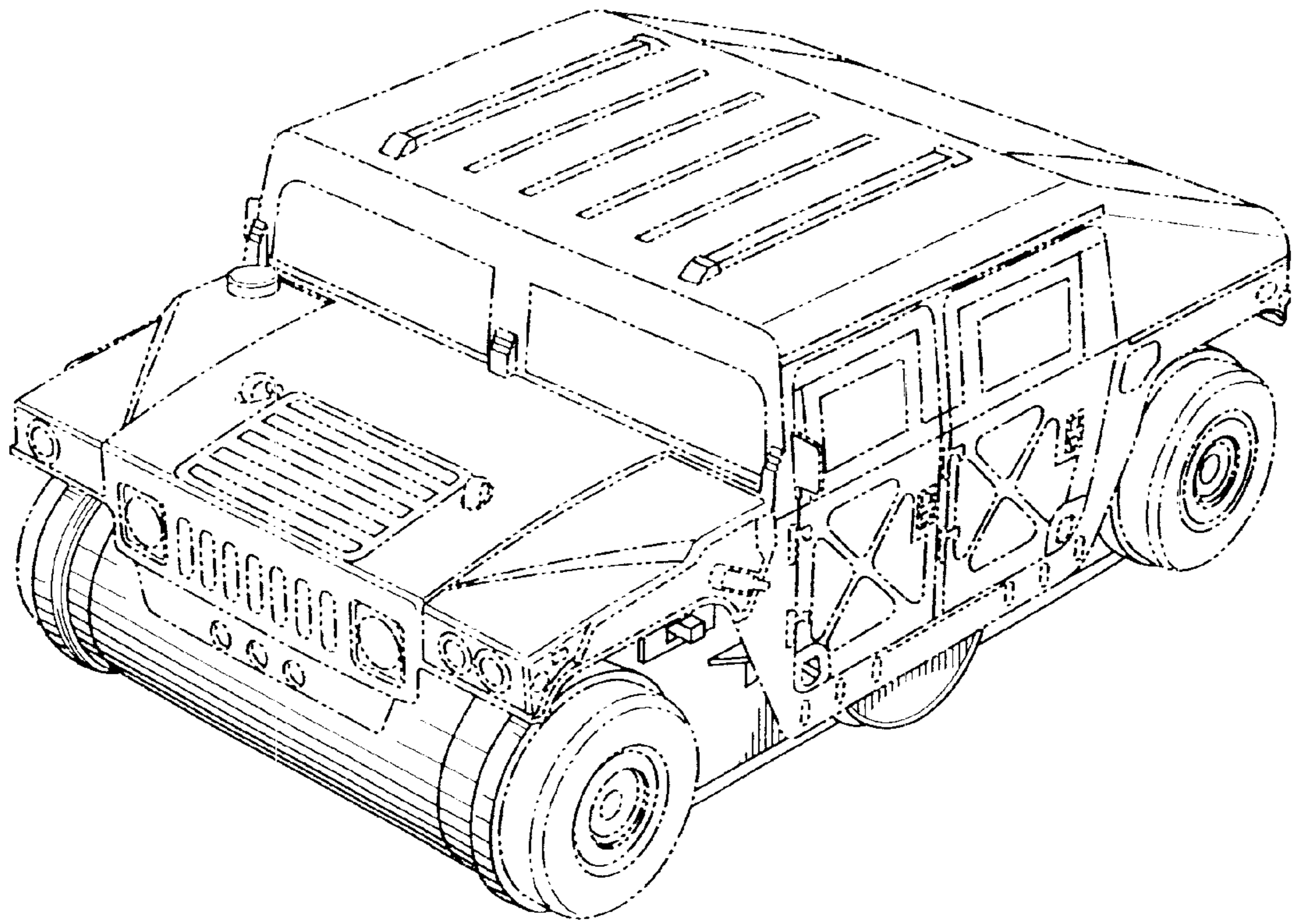


FIG. 1

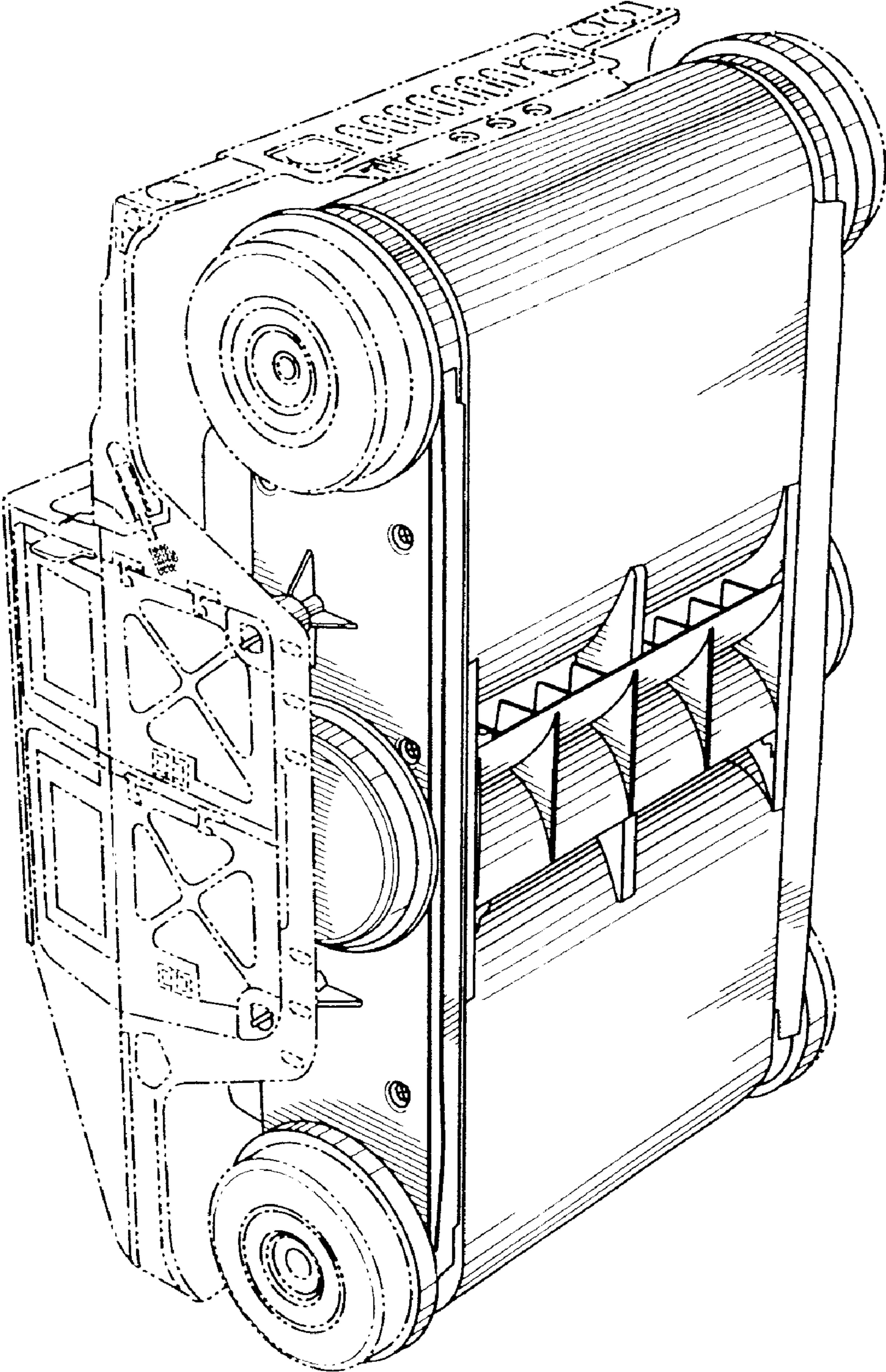


FIG. 2

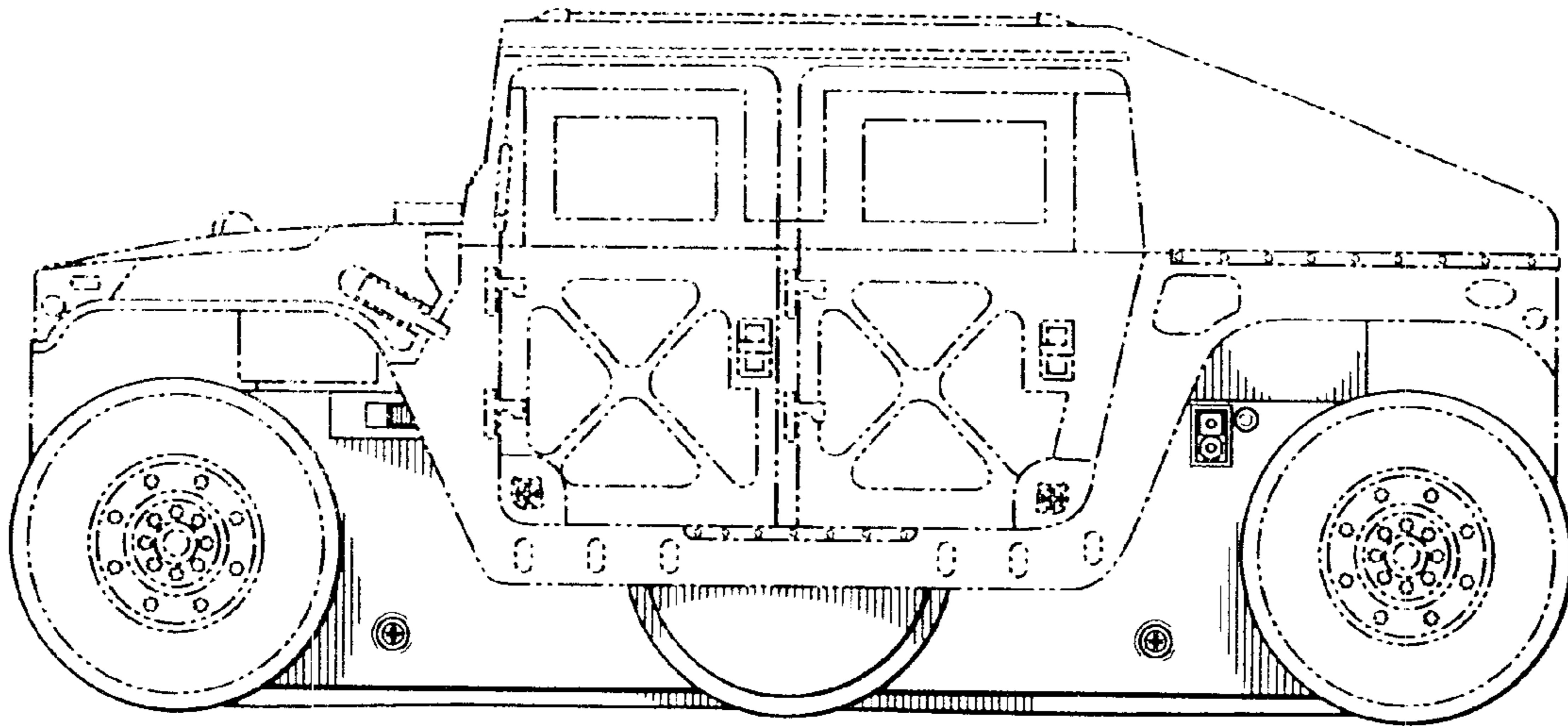


FIG. 3

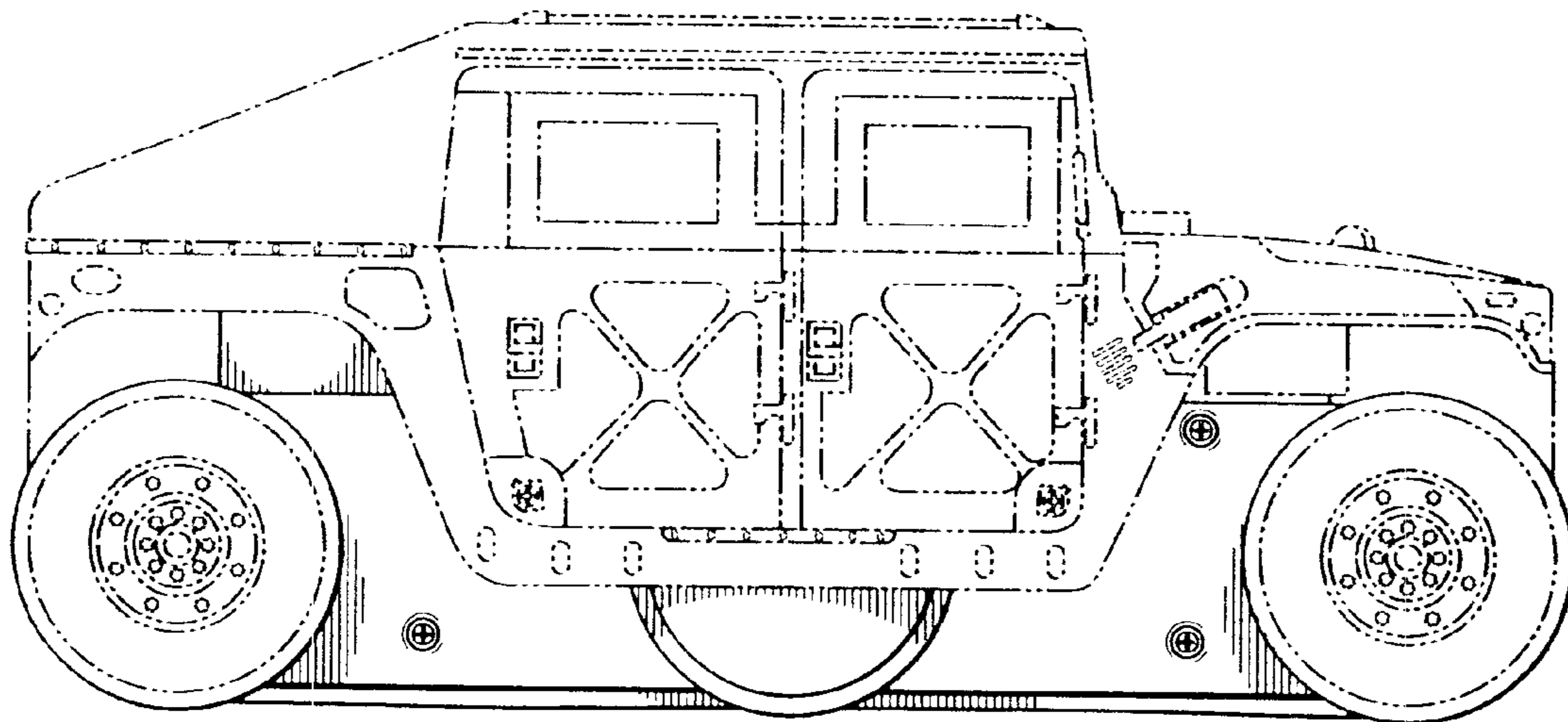


FIG. 4

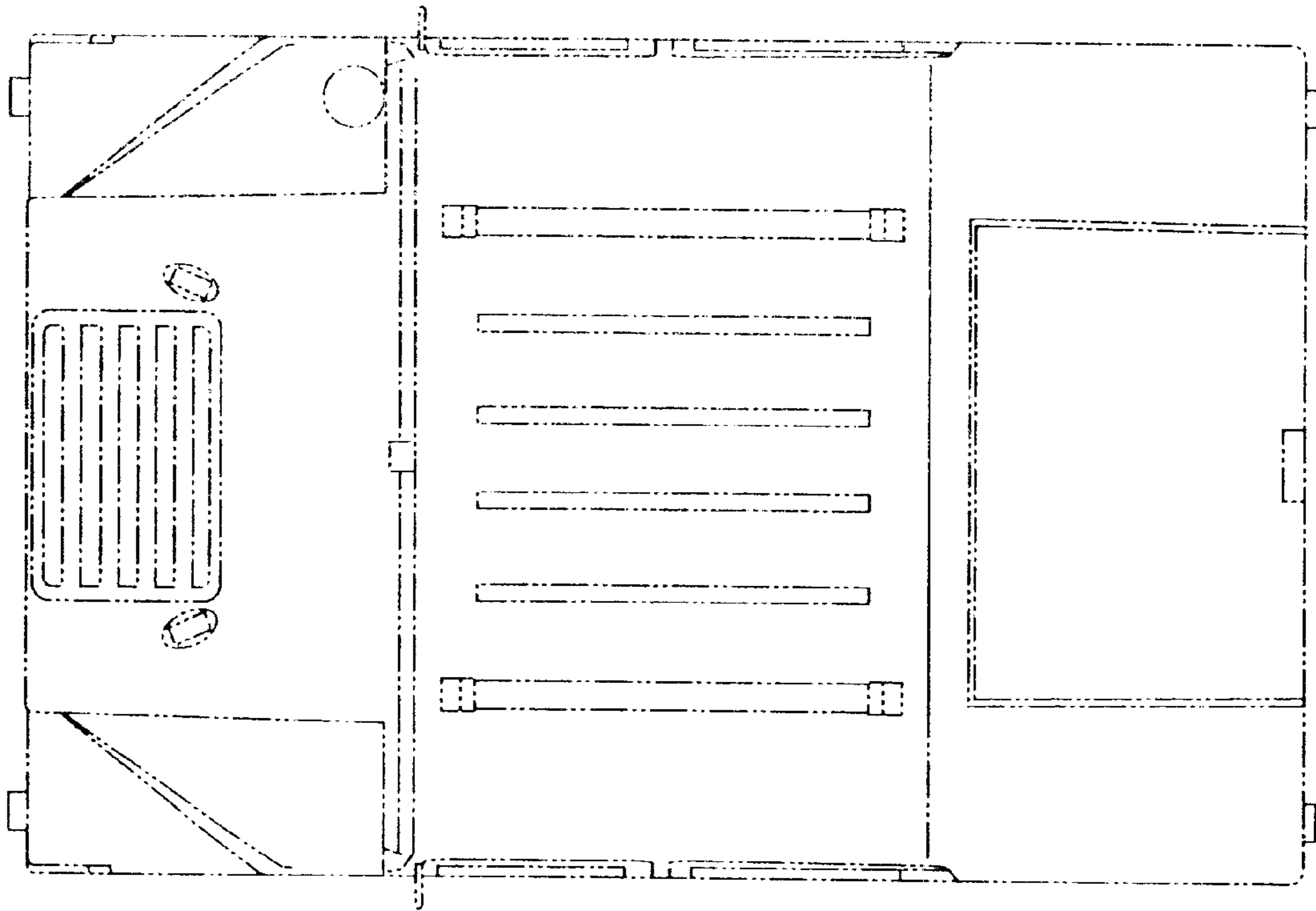


FIG. 5

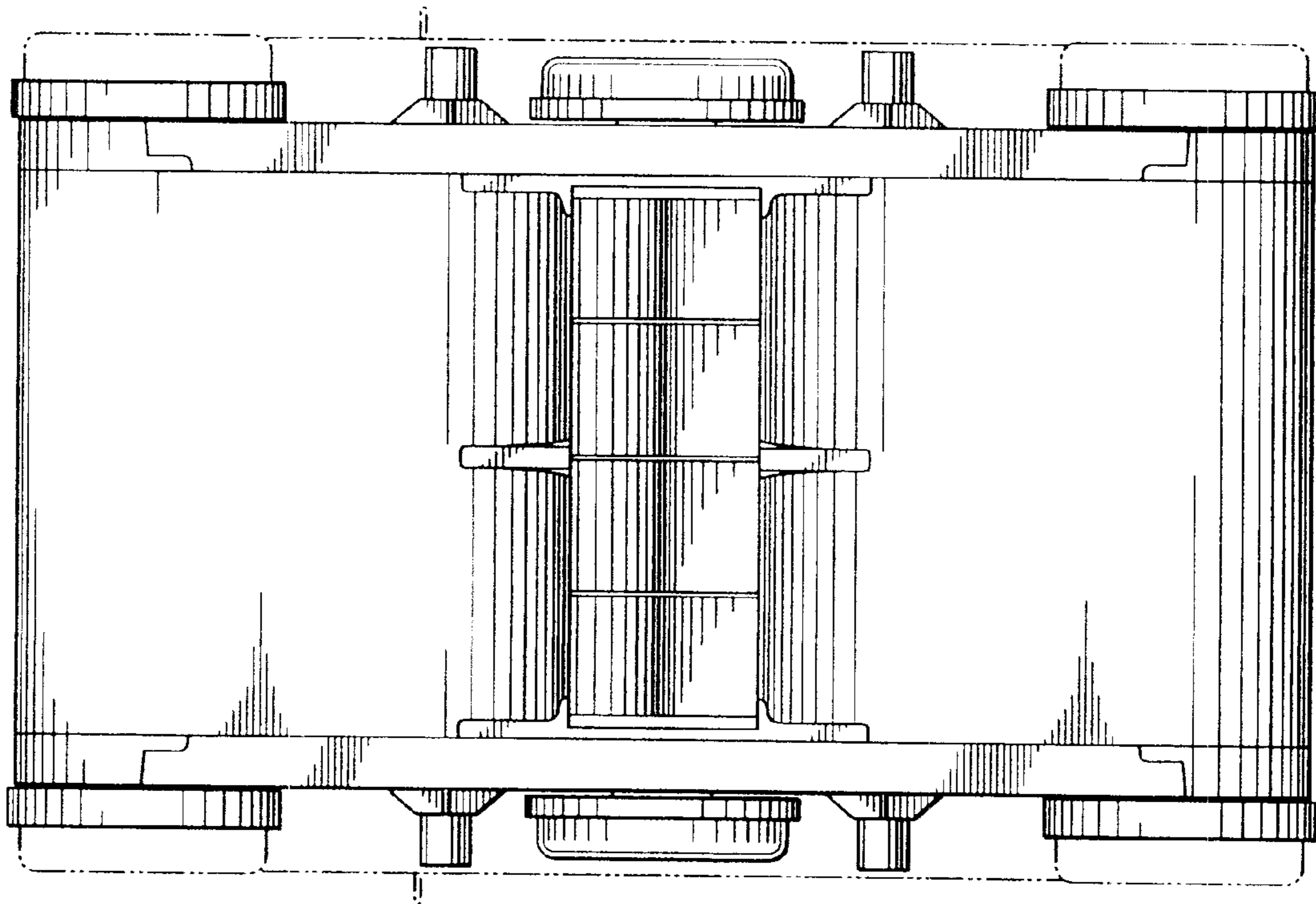


FIG. 6

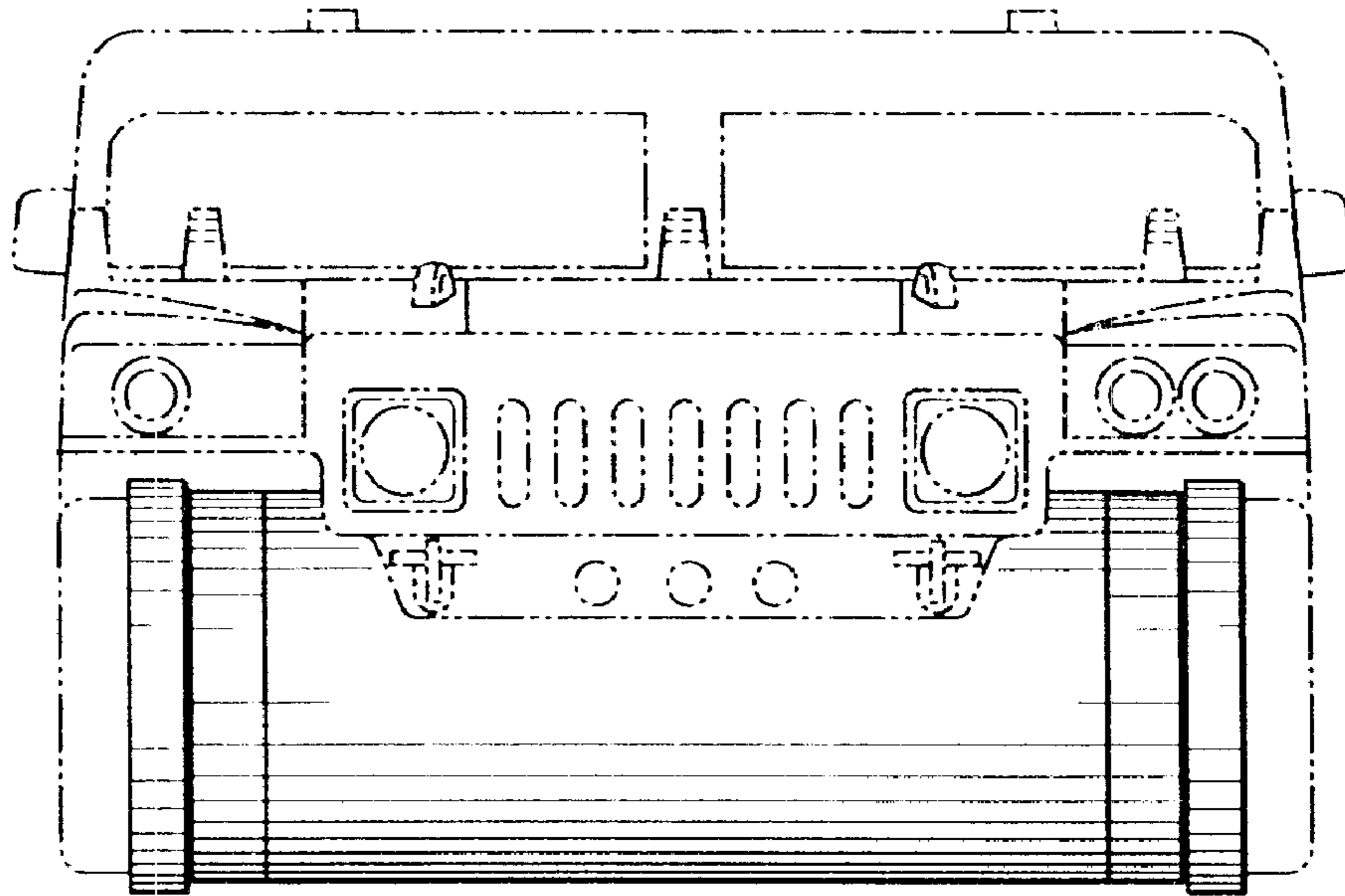


FIG. 7

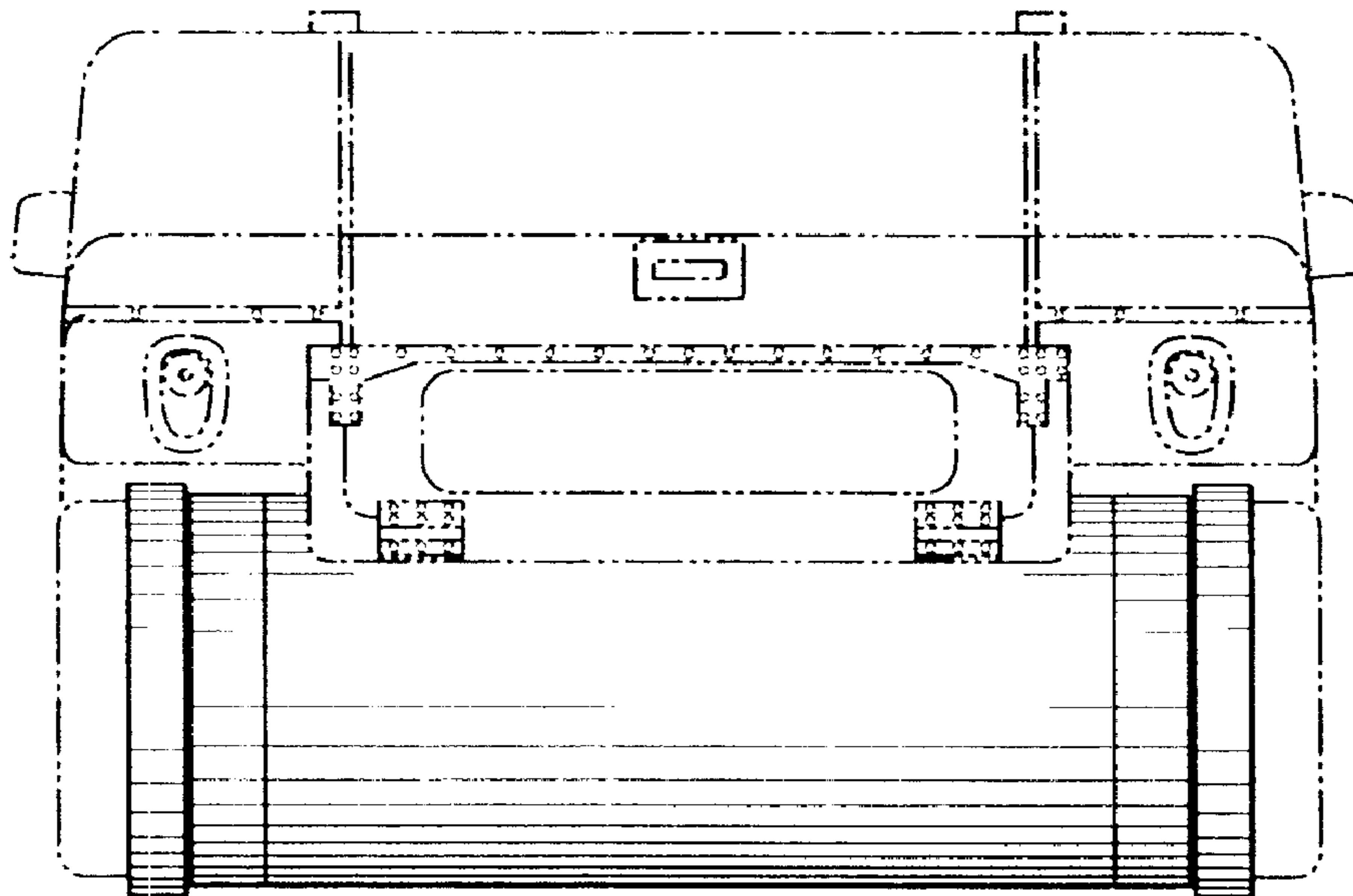


FIG. 8