



US00D534966S

(12) **United States Design Patent**
Yuen

(10) **Patent No.:** **US D534,966 S**

(45) **Date of Patent:** **** Jan. 9, 2007**

(54) **CHASSIS FOR A TOY AUTOMOBILE**

(75) **Inventor:** **Shun Ming Yuen**, Tsimshatsui East (HK)

(73) **Assignee:** **Golden Bright Manufacturer Ltd.**, Kowloon (HK)

(**) **Term:** **14 Years**

(21) **Appl. No.:** **29/231,467**

(22) **Filed:** **Jun. 3, 2005**

(30) **Foreign Application Priority Data**

Dec. 10, 2000 (HK) 0412835

(51) **LOC (8) Cl.** **21-01**

(52) **U.S. Cl.** **D21/562**

(58) **Field of Classification Search** D21/533,
D21/548-551, 559-563; 446/431, 454-457,
446/465, 466, 469, 470; 29/273; D12/86,
D12/88, 93, 159

See application file for complete search history.

(56) **References Cited**

U.S. PATENT DOCUMENTS

5,322,469 A * 6/1994 Tilbor 446/454

D462,300 S * 9/2002 Cerny et al. D12/86
D524,880 S * 7/2006 Yuen D21/562
2003/0148703 A1 * 8/2003 Scott et al. 446/456

* cited by examiner

Primary Examiner—Holly H. Baynham

Assistant Examiner—Cynthia M. Chin

(74) *Attorney, Agent, or Firm*—Mercant & Gould P.C.

(57) **CLAIM**

The ornamental design for a chassis for a toy automobile, as shown and described.

DESCRIPTION

FIG. 1 is a front view of a chassis for a toy automobile in accordance with my invention thereof;

FIG. 2 is a rear view thereof;

FIG. 3 is a right side view thereof;

FIG. 4 is a left side view thereof;

FIG. 5 is a top view thereof;

FIG. 6 is a bottom view thereof; and,

FIG. 7 is a perspective view thereof.

1 Claim, 7 Drawing Sheets

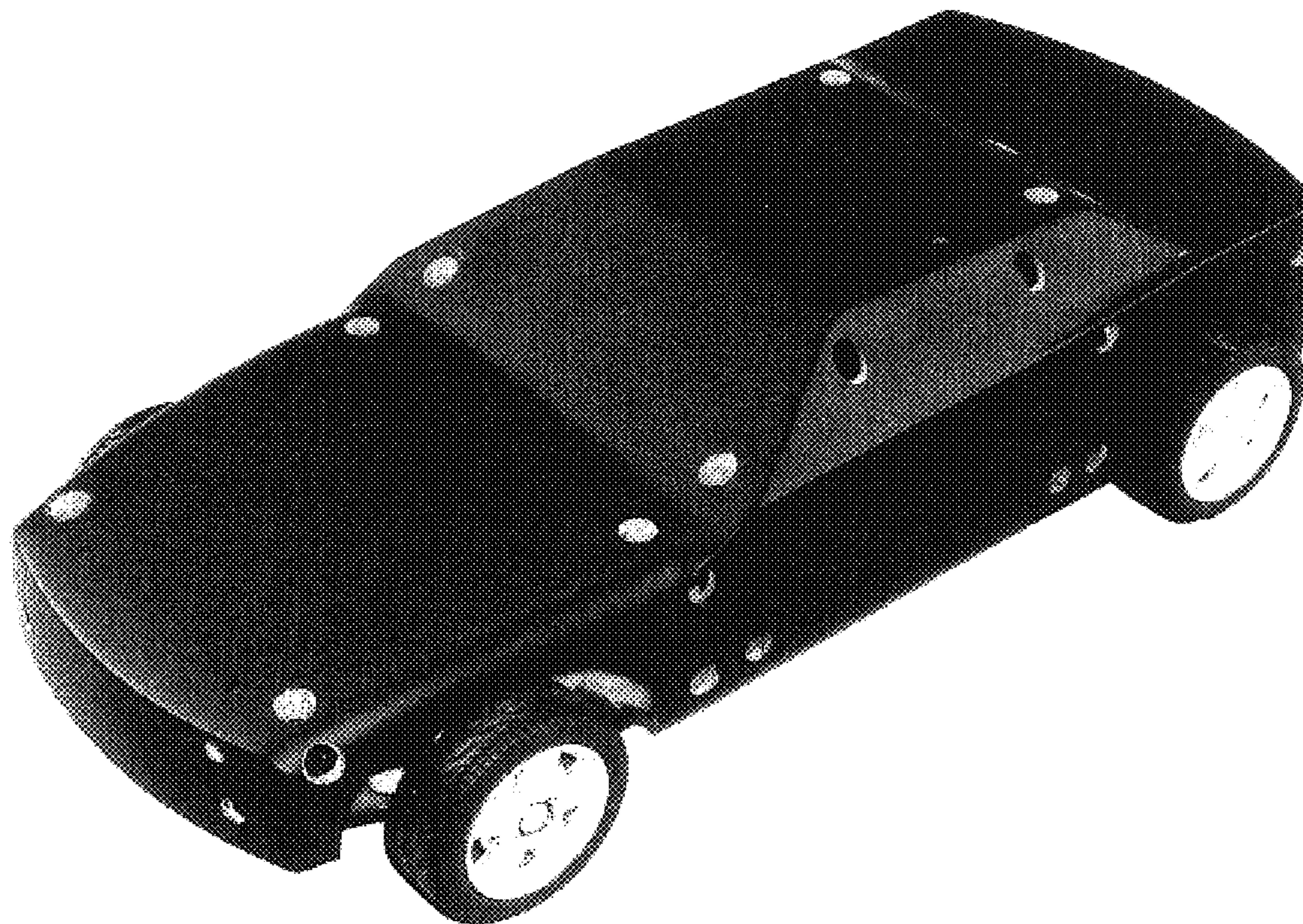


FIG. 1

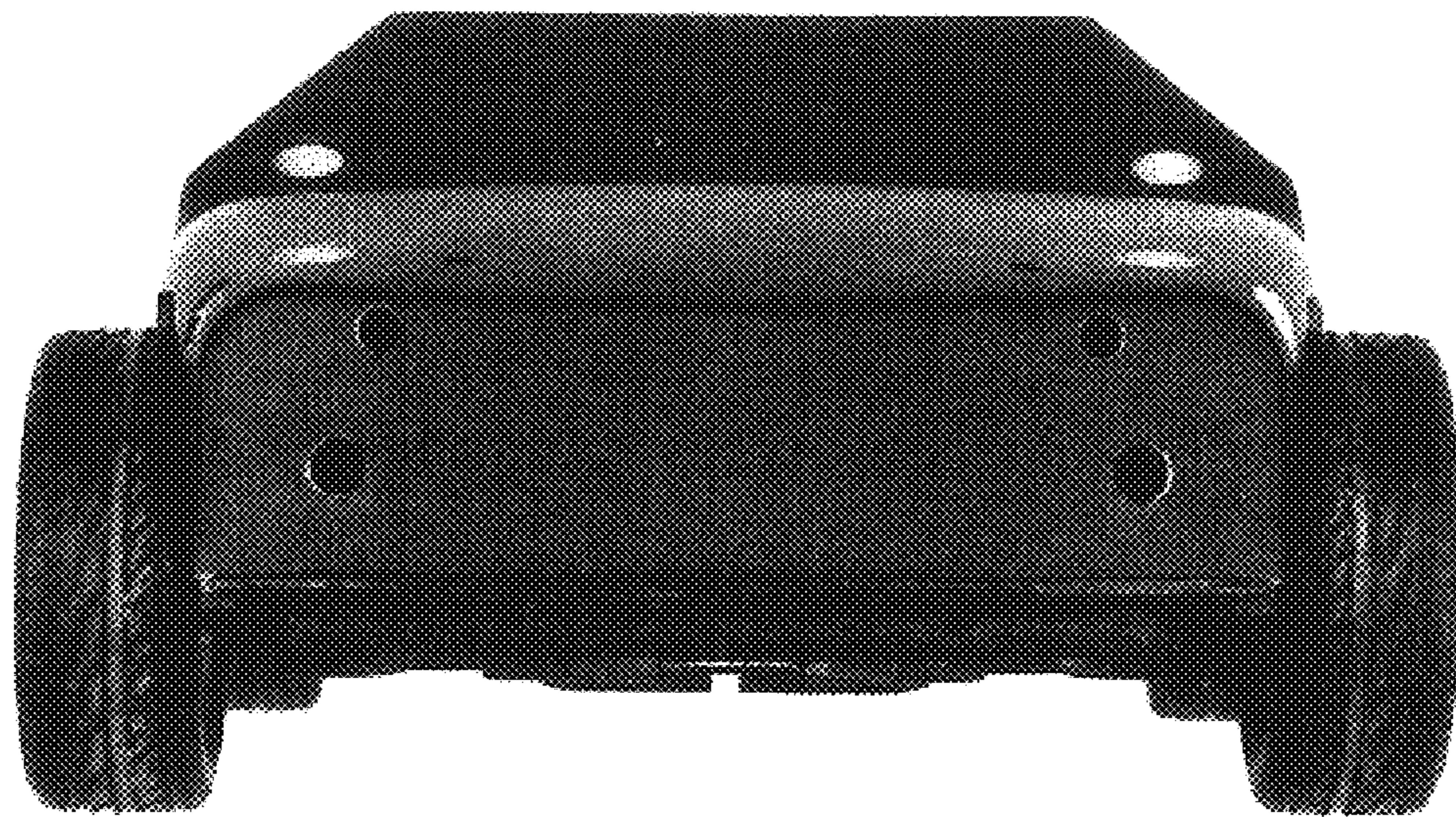


FIG. 2

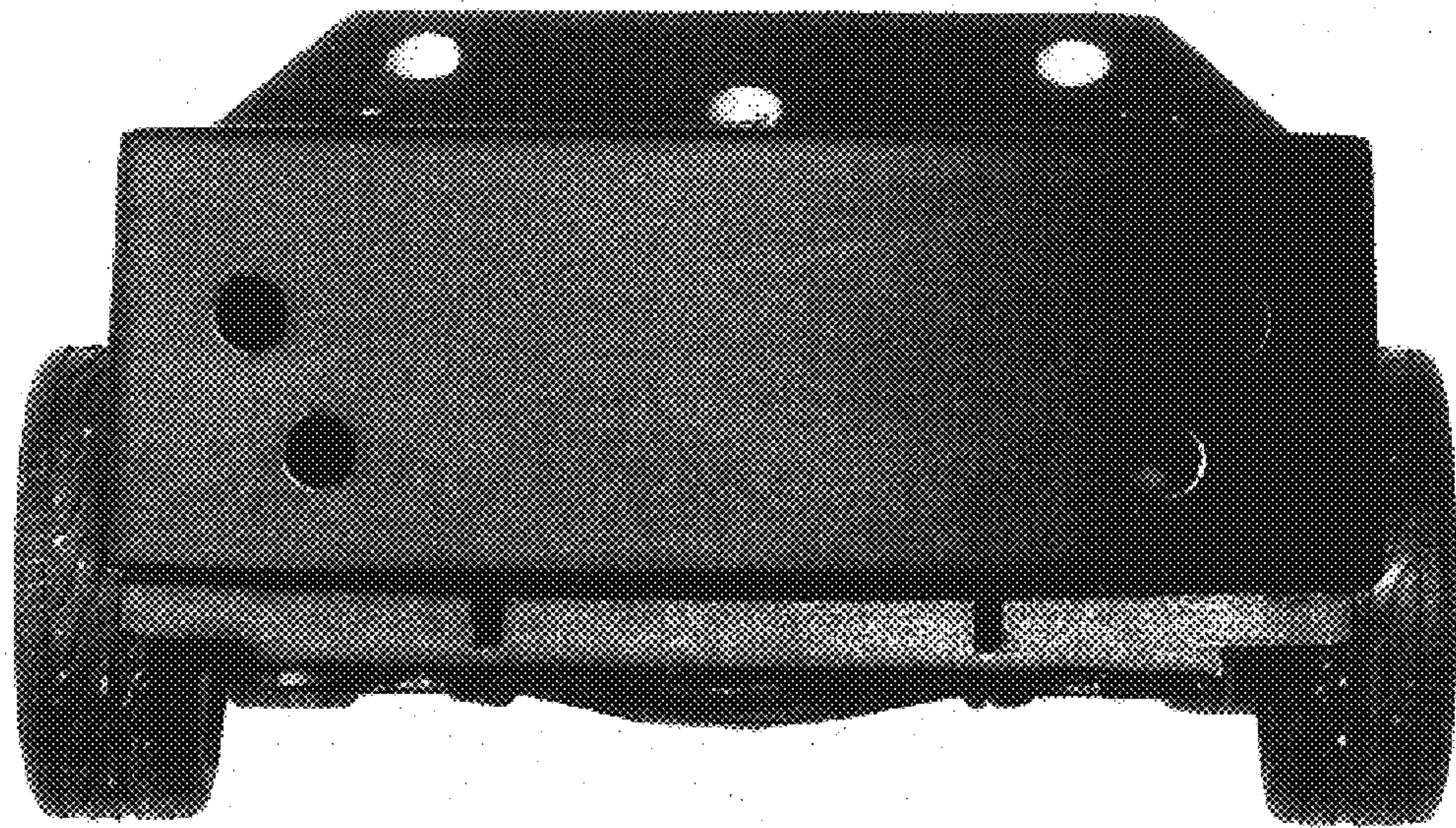


FIG. 3

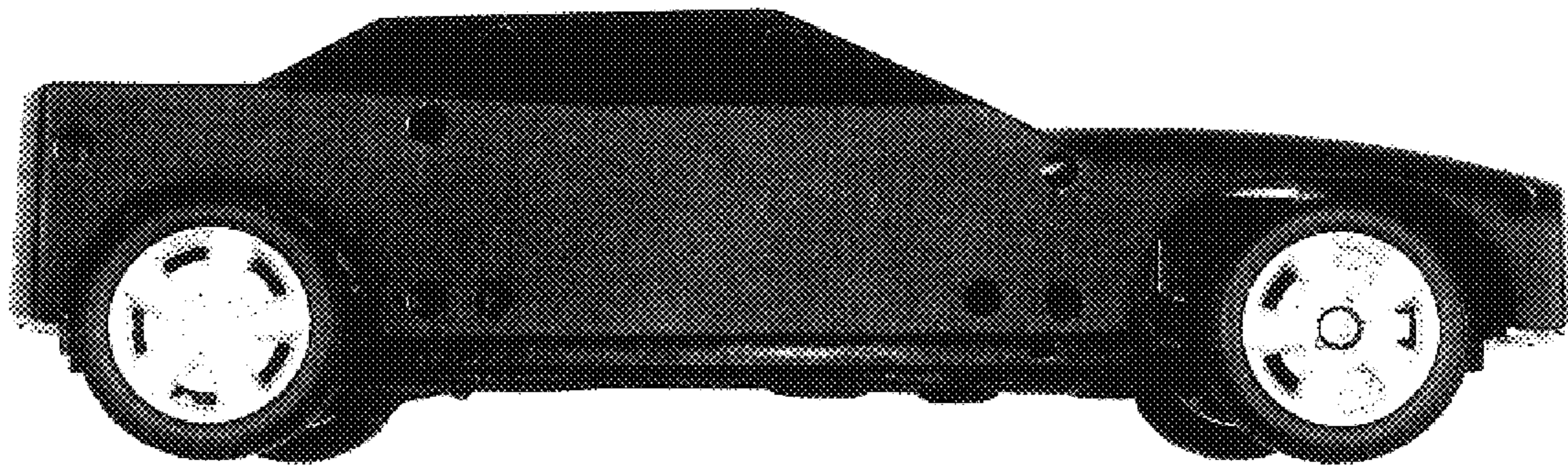


FIG. 4

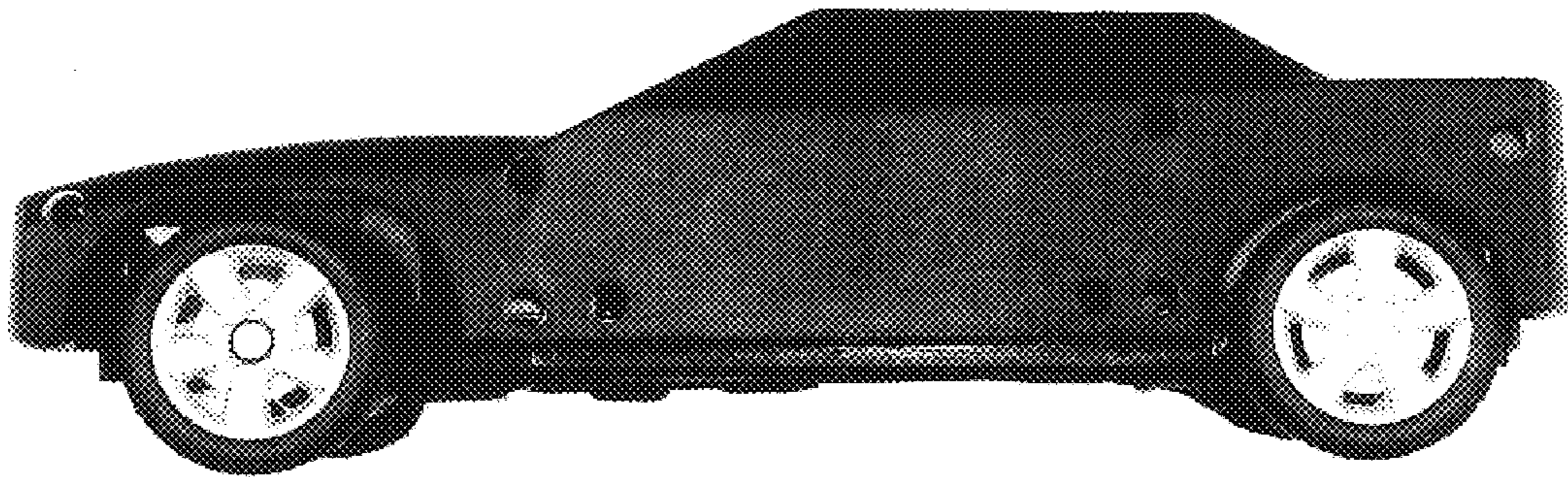


FIG. 5

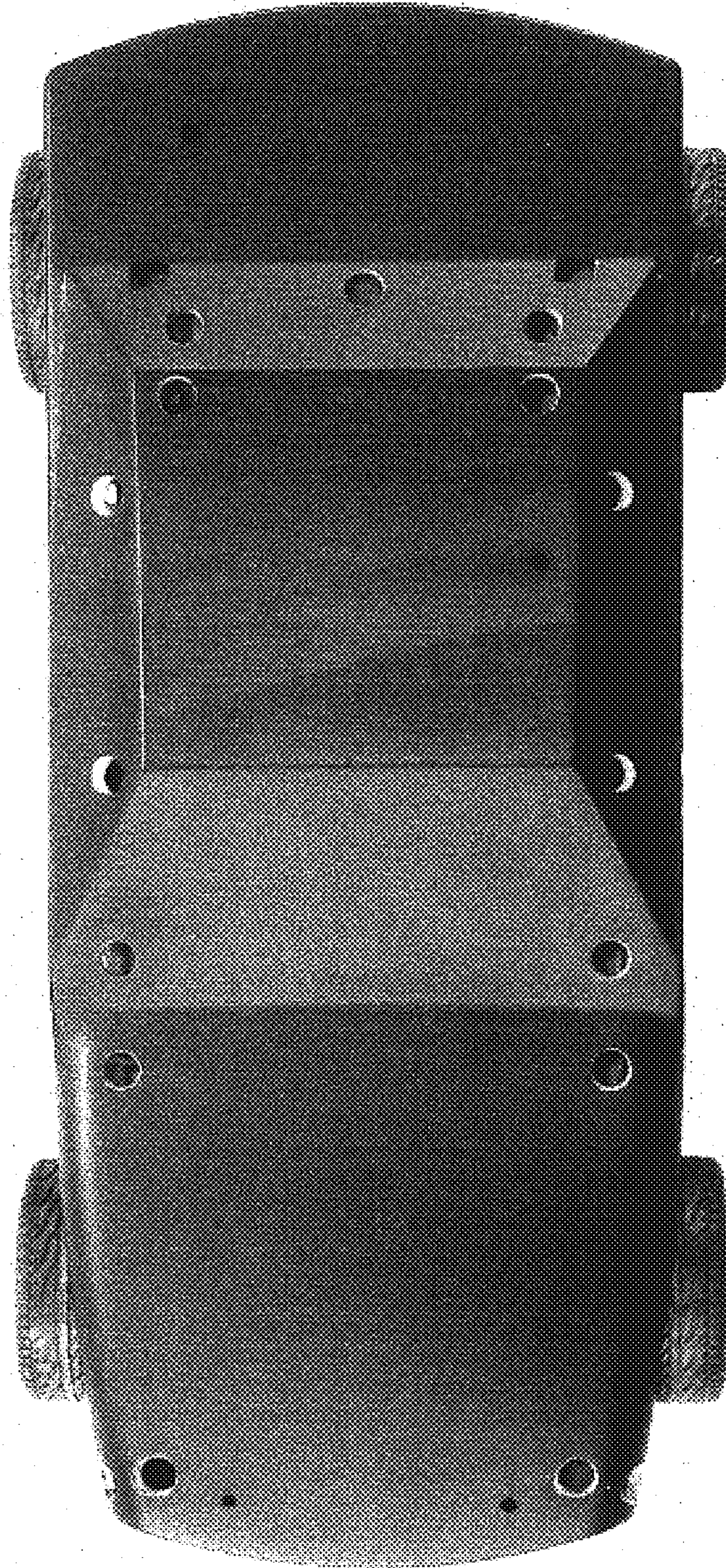


FIG. 6

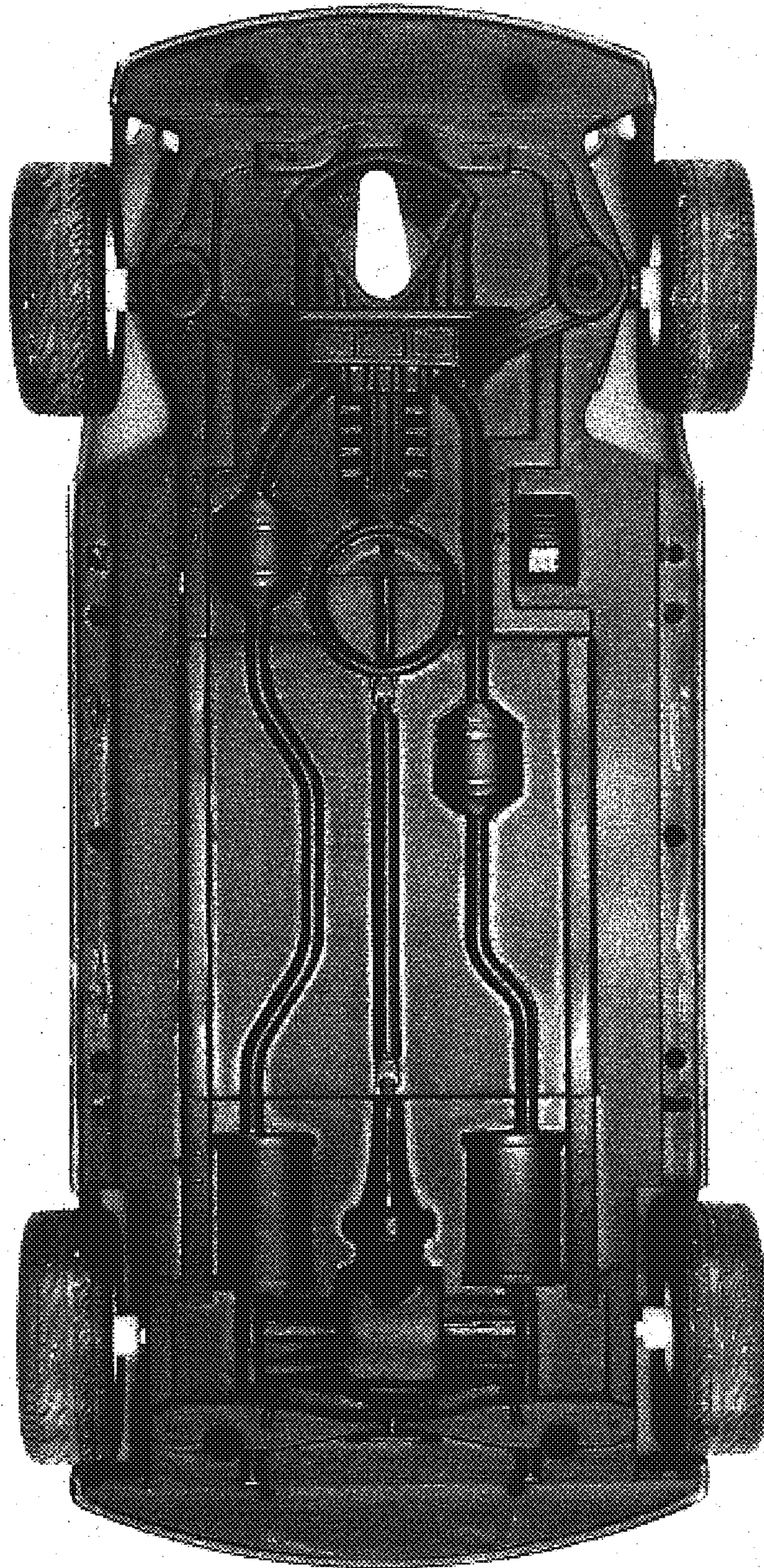


FIG. 7

