



US00D534964S

(12) **United States Design Patent**
Chung

(10) **Patent No.:** **US D534,964 S**
(45) **Date of Patent:** **** Jan. 9, 2007**

(54) **SAND MOTORCYCLE FOR KIDS**
(76) **Inventor:** **Li Ping Chung**, No. 33, Lane 458, She
Chung St., Shih Li District, Taipei (TW)
(**) **Term:** **14 Years**

D445,843 S * 7/2001 Tse D21/432
D446,475 S * 8/2001 Luh D12/107
D448,325 S * 9/2001 Fujieda D12/107
D458,562 S * 6/2002 Kalhok et al. D12/107
D464,291 S * 10/2002 Wu D12/107
D468,117 S * 1/2003 Kalhok et al. D6/354
D468,777 S * 1/2003 Wu D21/432

(21) **Appl. No.:** **29/235,490**
(22) **Filed:** **Aug. 3, 2005**

* cited by examiner

Primary Examiner—Raphael Barkai

(51) **LOC (8) Cl.** **21-01**
(52) **U.S. Cl.** **D21/432**
(58) **Field of Classification Search** D21/419–435,
D21/415, 620; D6/345; 446/456, 465, 470,
446/427–428, 451, 454, 471, 468, 450; 280/1.13,
280/828, 87.01, 282, 87.021, 1.203, 47.11;
D12/110–113
See application file for complete search history.

(57) **CLAIM**

The ornamental design for a sand motorcycle for kids, as shown and described.

DESCRIPTION

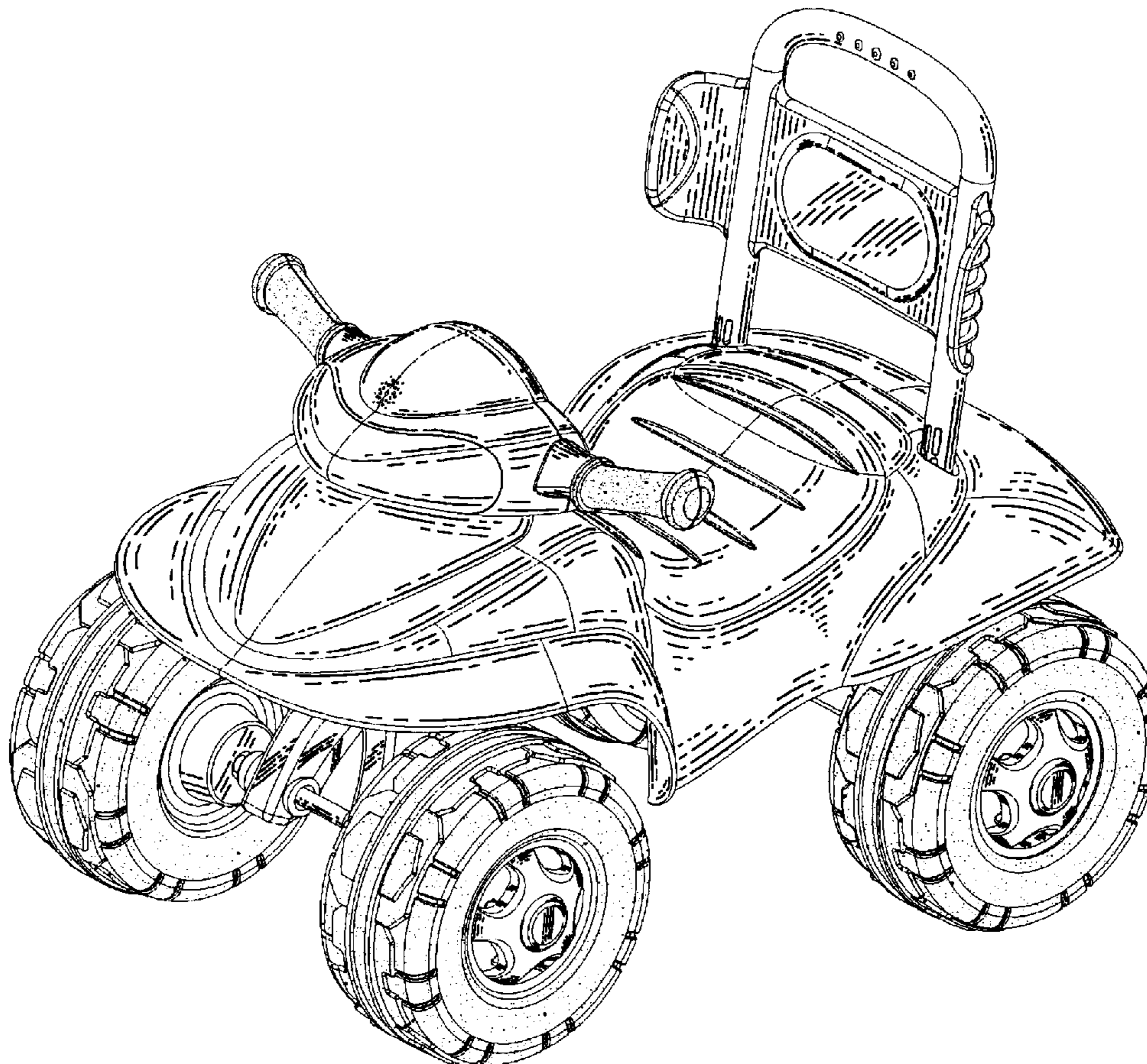
FIG. 1 is a perspective view of a sand motorcycle for kids showing the new design;
FIG. 2 is a front view thereof;
FIG. 3 is a rear view thereof;
FIG. 4 is a left side view thereof;
FIG. 5 is a right side view thereof;
FIG. 6 is a top view thereof; and,
FIG. 7 is a bottom view thereof.

(56) **References Cited**

U.S. PATENT DOCUMENTS

D295,153 S * 4/1988 Ryuzoji et al. D12/107
D330,694 S * 11/1992 Kimura et al. D12/107
D423,059 S * 4/2000 Chuan D21/432
D423,603 S * 4/2000 Tasy D21/424
D429,774 S * 8/2000 Lerch D21/432

1 Claim, 5 Drawing Sheets



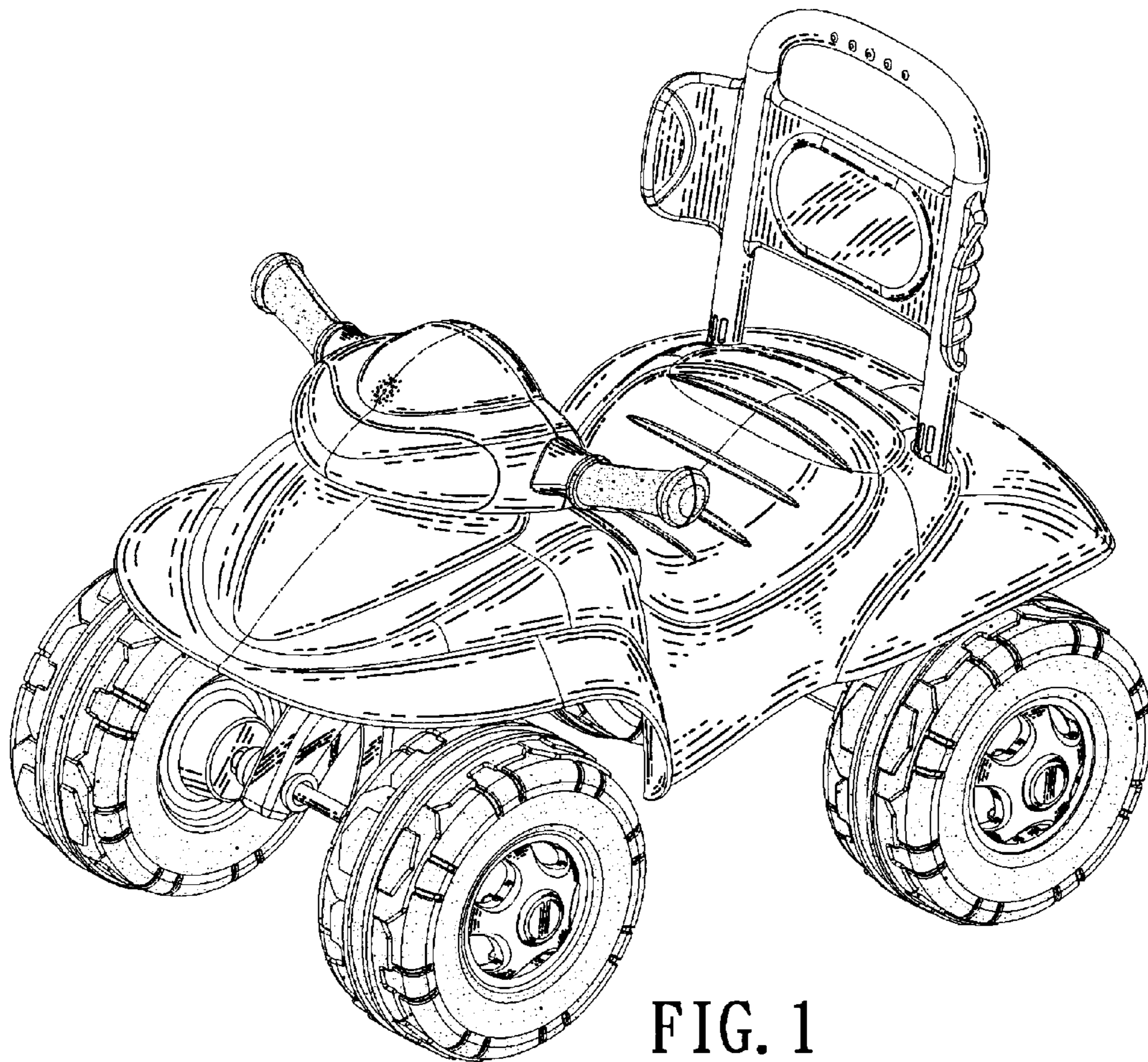


FIG. 1

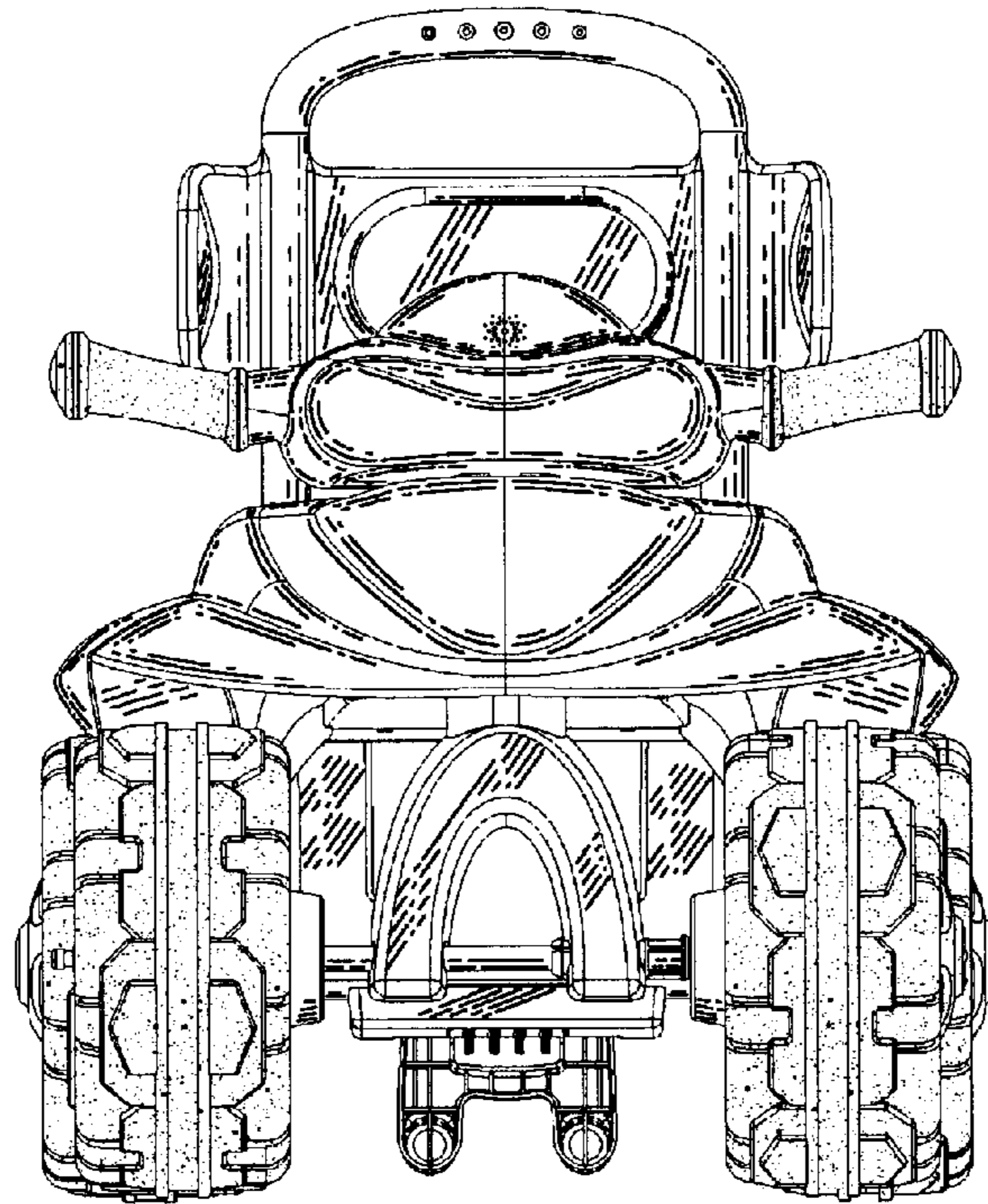


FIG. 2

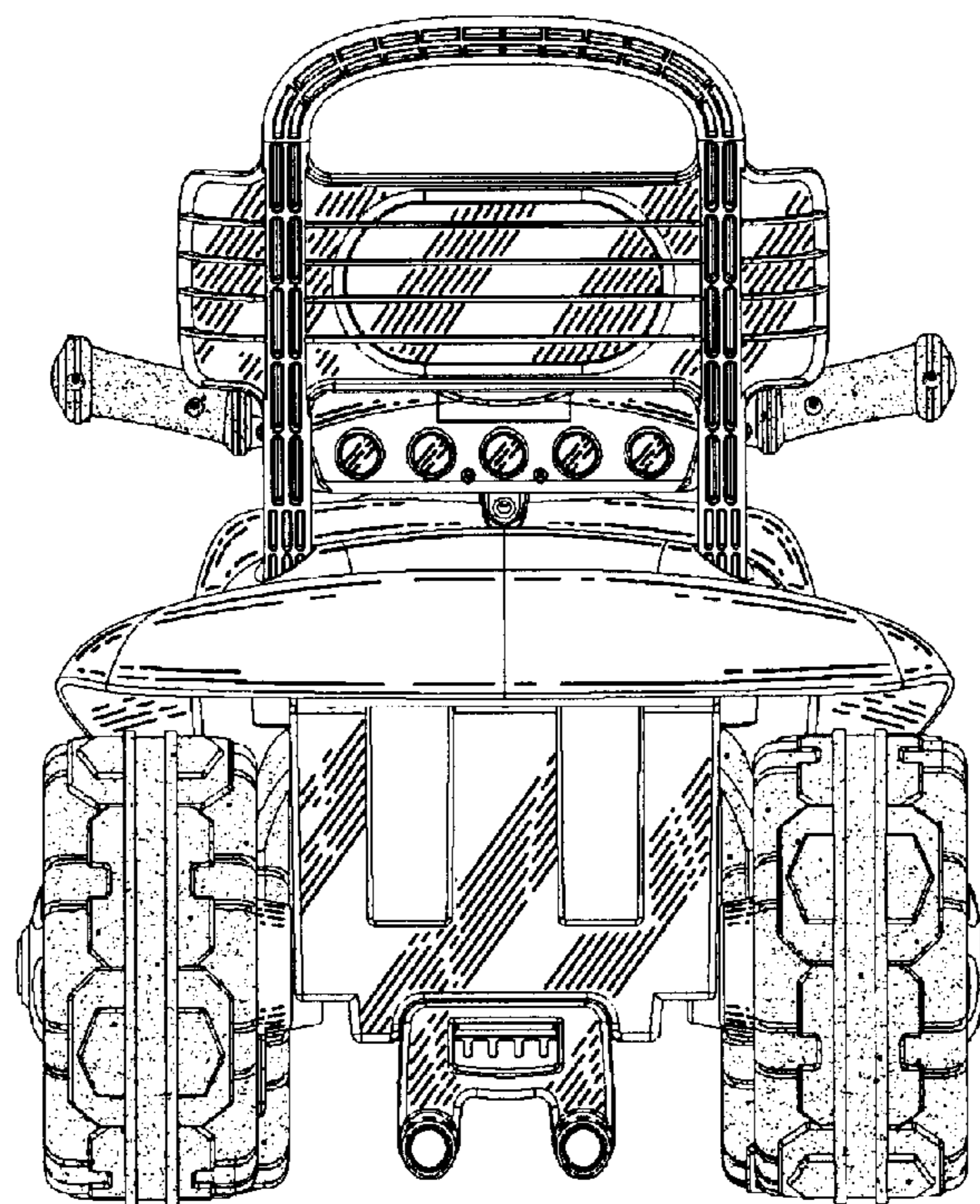


FIG. 3

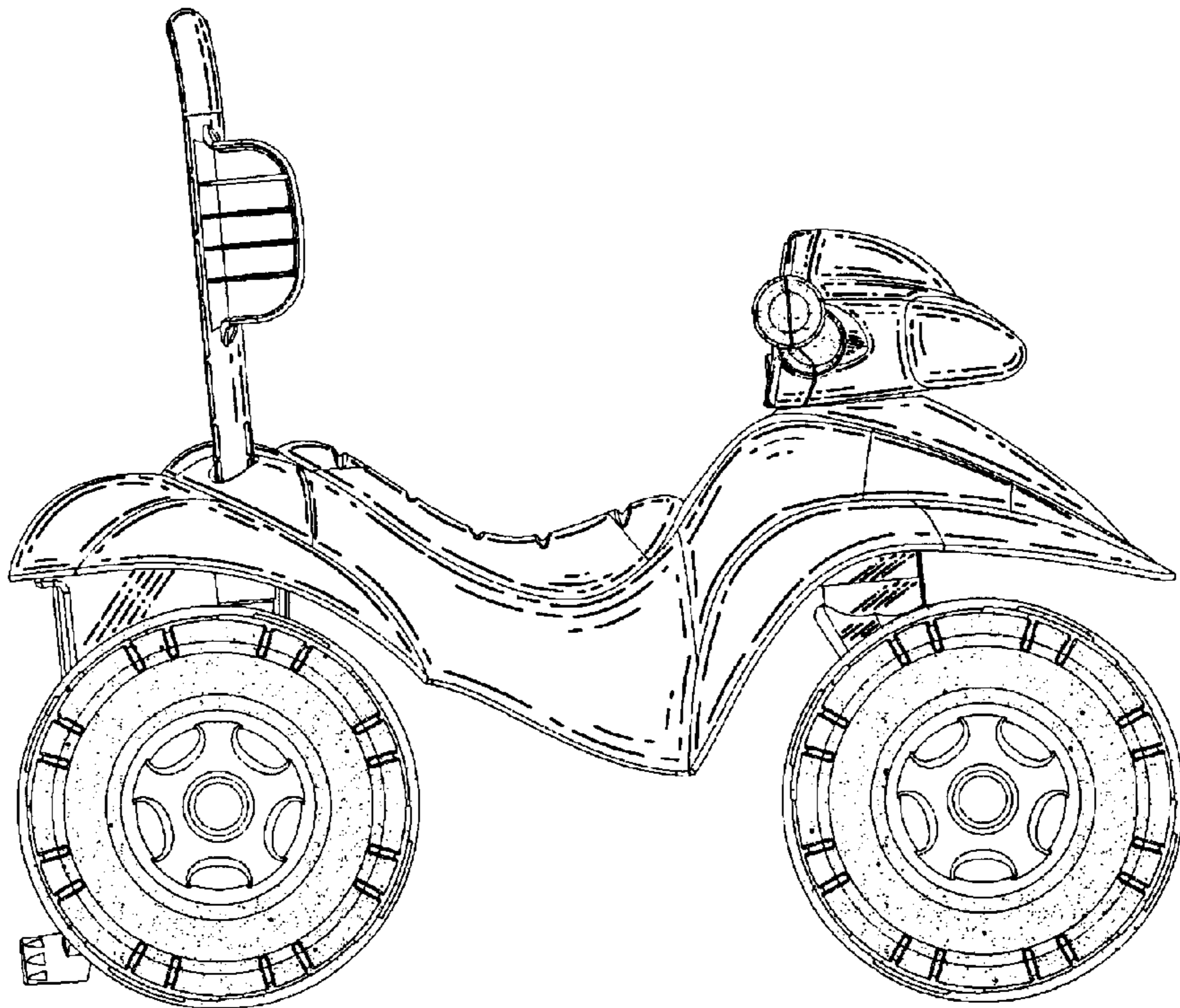


FIG. 4

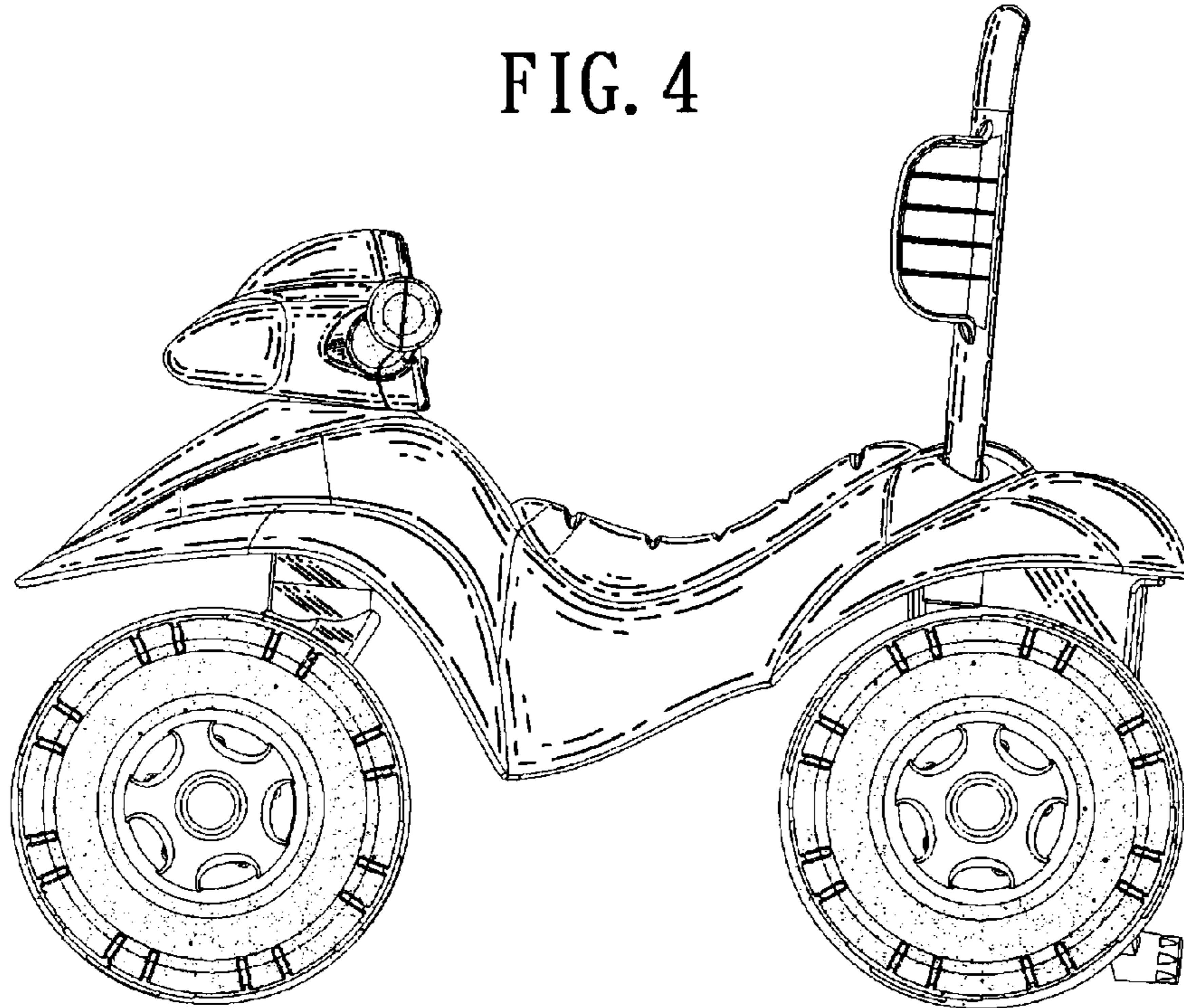


FIG. 5

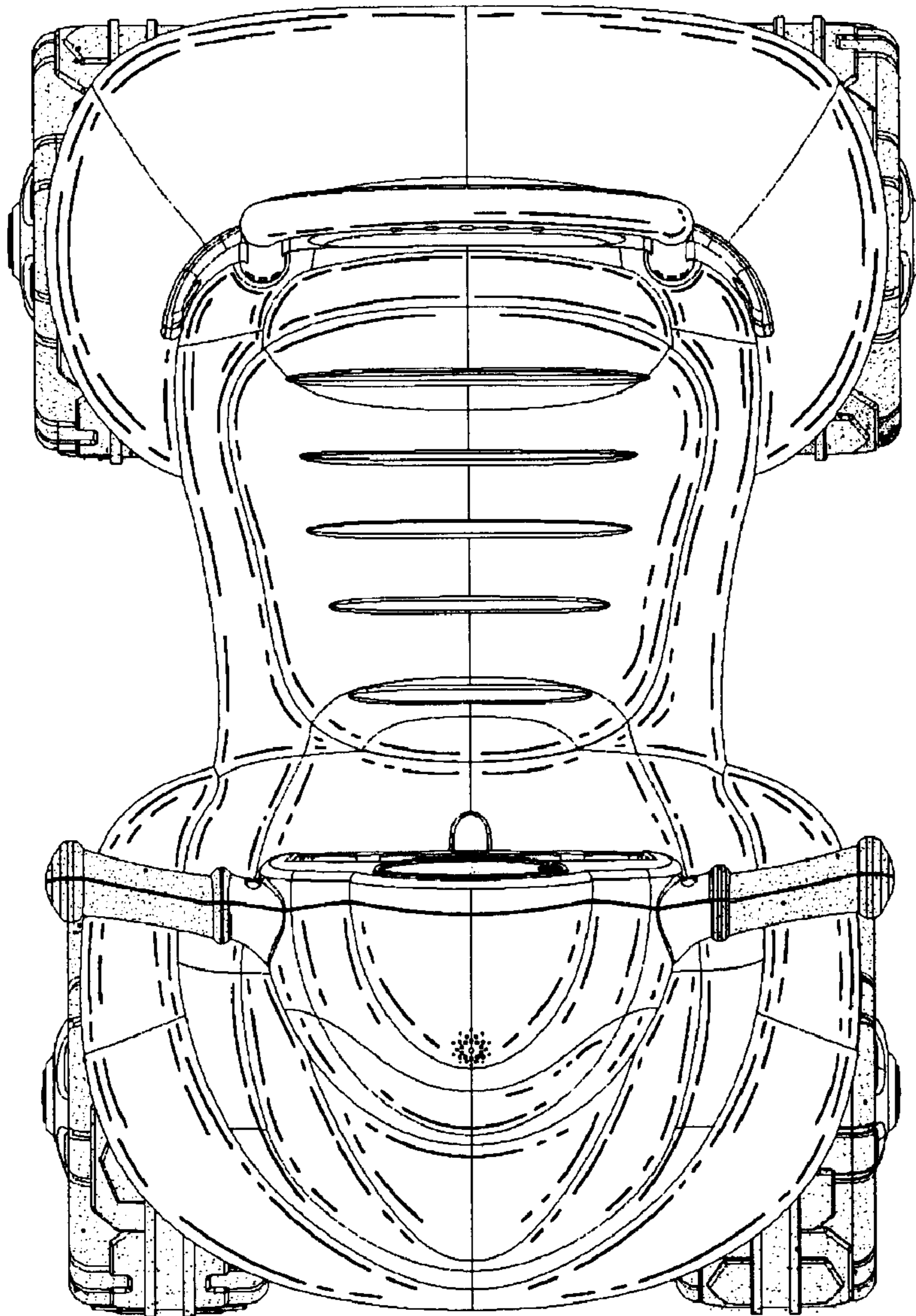


FIG. 6

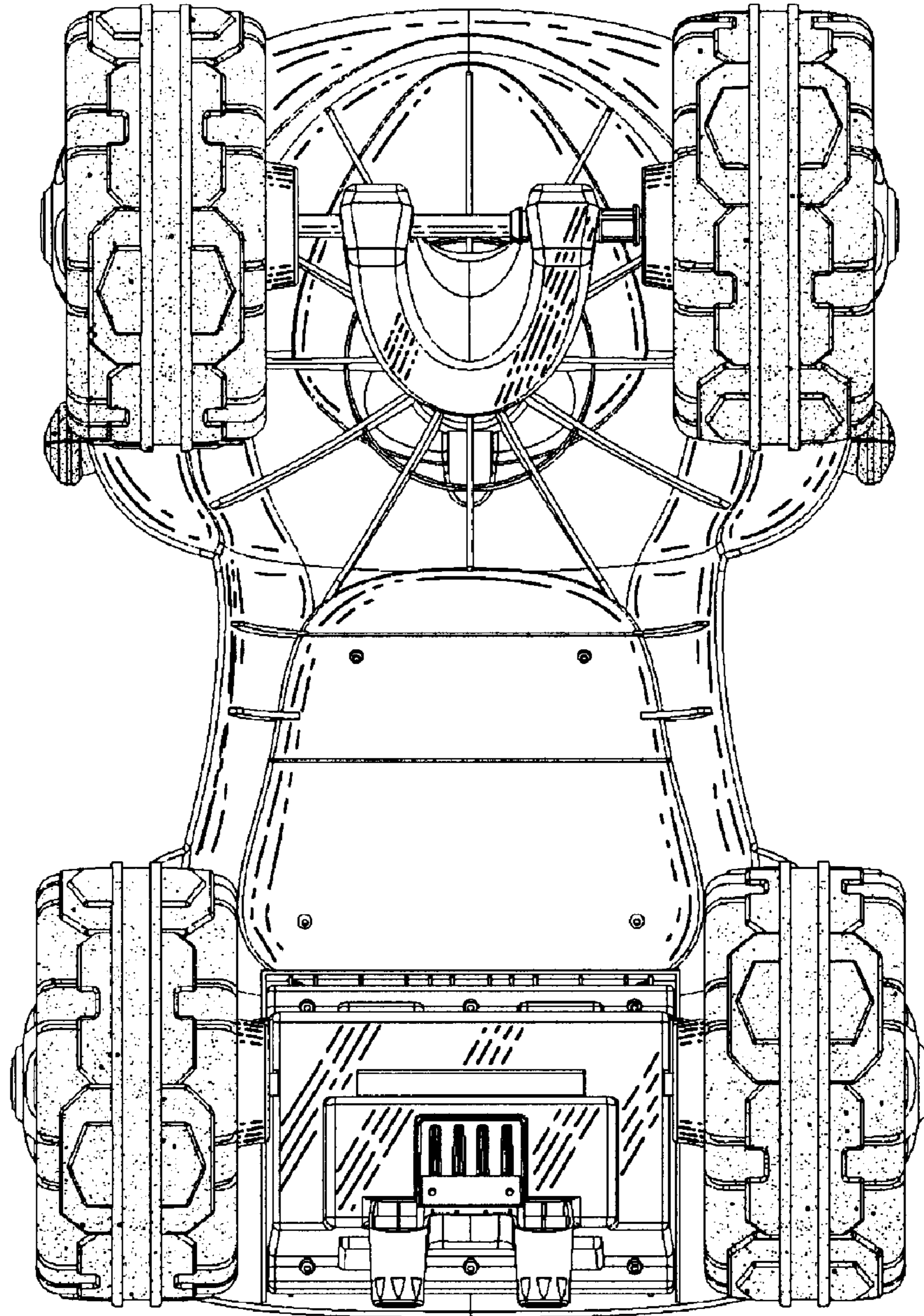


FIG. 7