



US00D534961S

(12) **United States Design Patent**  
**Crawford et al.**

(10) **Patent No.:** **US D534,961 S**  
(45) **Date of Patent:** **\*\* Jan. 9, 2007**

- (54) **WRITING UTENSIL TRAY**
- (75) Inventors: **Dennis L. Crawford**, Roberts, WI (US); **Craig Thompson**, Inver Grove Heights, MN (US); **Mauro Porcini**, Bregano (IT); **Carsten Astheimer**, Turin (IT); **Roberto Cini**, Turin (IT)
- (73) Assignee: **3M Innovative Properties Company**, St. Paul, MN (US)

D348,484 S	7/1994	Blackwell et al.	
5,401,547 A	3/1995	Blackwell et al.	
D357,938 S	5/1995	Wolff	
D366,904 S	* 2/1996	Stukenkemper	D19/83
D366,974 S	* 2/1996	Nitlich	D6/468
D444,179 S	6/2001	Dill	
D455,786 S	* 4/2002	Walz	D19/92
D456,849 S	5/2002	Thompson et al.	
D478,226 S	8/2003	Peyker	
D487,366 S	* 3/2004	Peyker	D6/467
D502,740 S	3/2005	Stoddard et al.	

(\*\*) Term: **14 Years**

(21) Appl. No.: **29/220,458**

(22) Filed: **Dec. 28, 2004**

- (51) **LOC (8) Cl.** ..... **19-06**
- (52) **U.S. Cl.** ..... **D19/85**
- (58) **Field of Classification Search** ..... D3/304;  
D6/467, 468, 476, 512, 536, 553, 569, 570,  
D6/571; D7/500, 550.1, 553.2, 554.3; D19/65,  
D19/75, 77, 81, 82, 83, 85, 92, 95; 206/214,  
206/224, 371; 211/10, 11, 69.1, 69.5, 69.6,  
211/126.1, 126.16

See application file for complete search history.

(56) **References Cited**

**U.S. PATENT DOCUMENTS**

1,330,470 A	*	2/1920	Jutila	211/69.2
2,017,045 A		10/1935	Granholm	
D120,743 S		5/1940	Petzold	
D170,557 S	*	10/1953	Swan	D19/75
3,381,853 A		5/1968	Ferris et al.	
D270,356 S	*	8/1983	Beltrami	D19/86
4,993,590 A		2/1991	Windorski	
5,086,946 A		2/1992	Blackwell et al.	
5,165,570 A		11/1992	Windorski et al.	

**OTHER PUBLICATIONS**

Seven pages from a portion of an IDECO International, Inc. catalogue.

\* cited by examiner

*Primary Examiner*—Elizabeth A. Albert

(74) *Attorney, Agent, or Firm*—Trisha D. Adamson

(57) **CLAIM**

The ornamental design for a writing utensil tray, as shown and described.

**DESCRIPTION**

FIG. 1 is a perspective view of a writing utensil tray showing our new design;

FIG. 2 is a top plan view thereof;

FIG. 3 is a left side elevation view thereof, the right side elevation view being a mirror image;

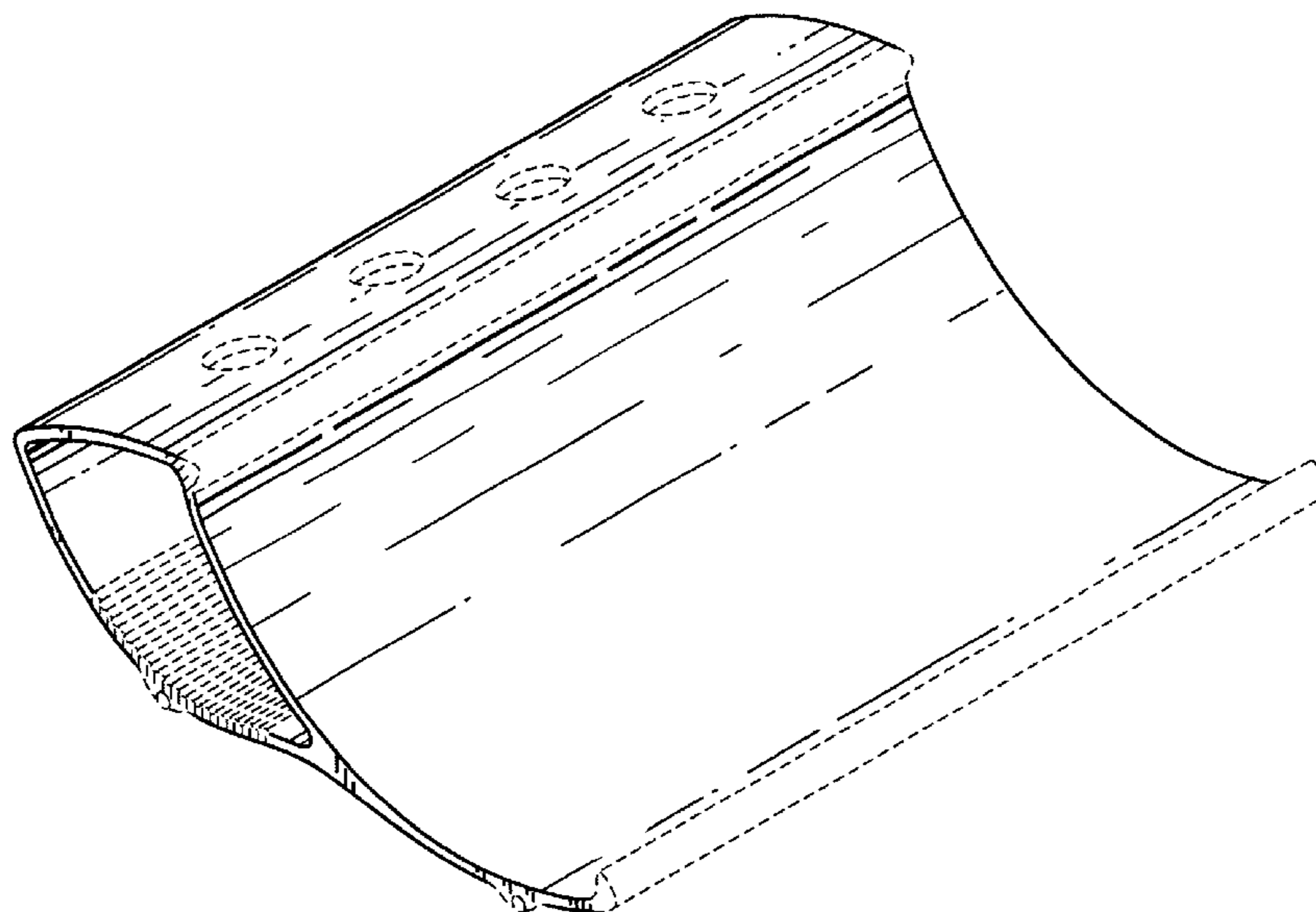
FIG. 4 is a bottom plan view thereof;

FIG. 5 is a front elevation view thereof; and,

FIG. 6 is a back elevation view thereof.

The broken lines showing environment in the drawings are for information purposes only and form no part of the claimed design.

**1 Claim, 3 Drawing Sheets**



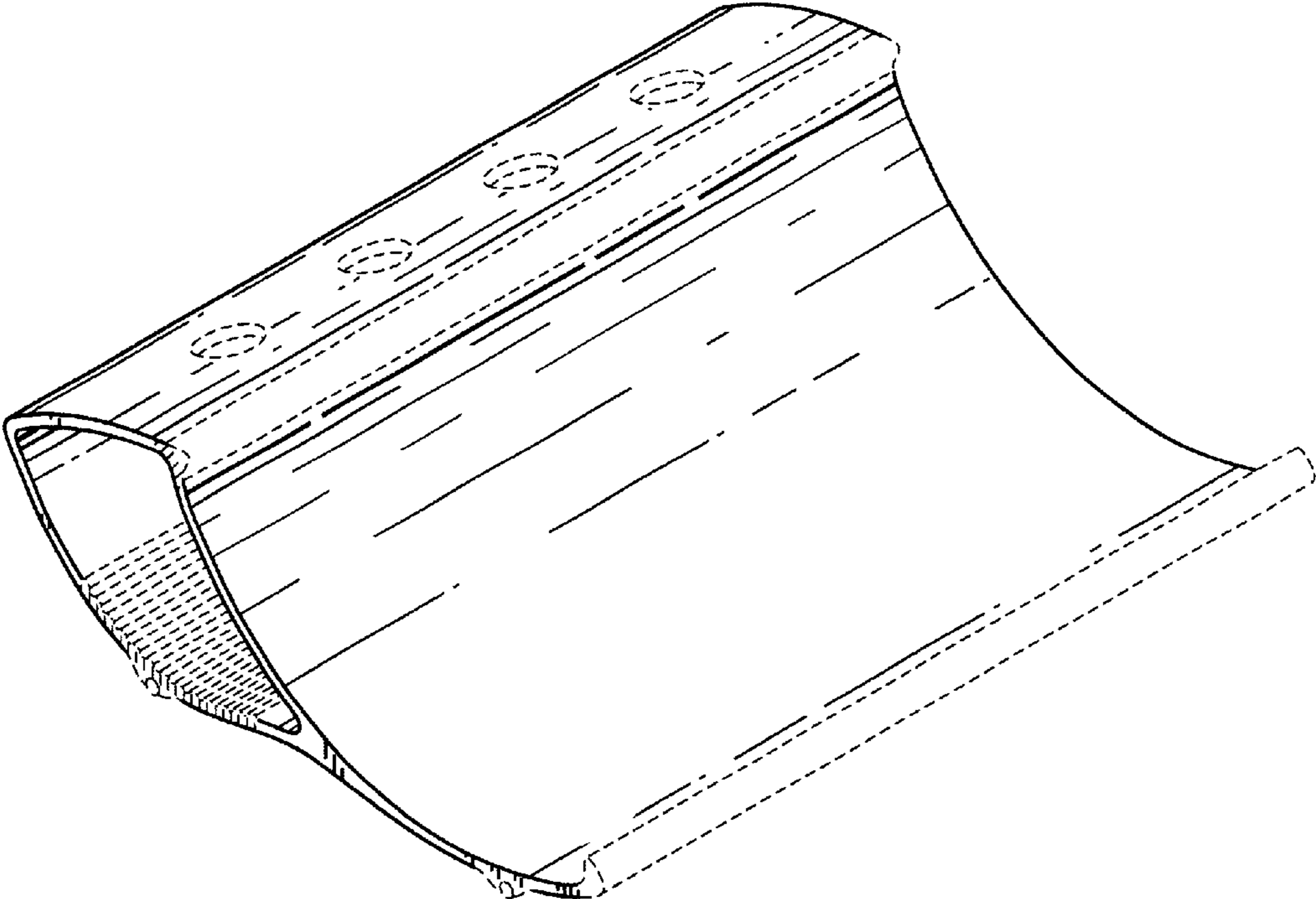


FIG. 1

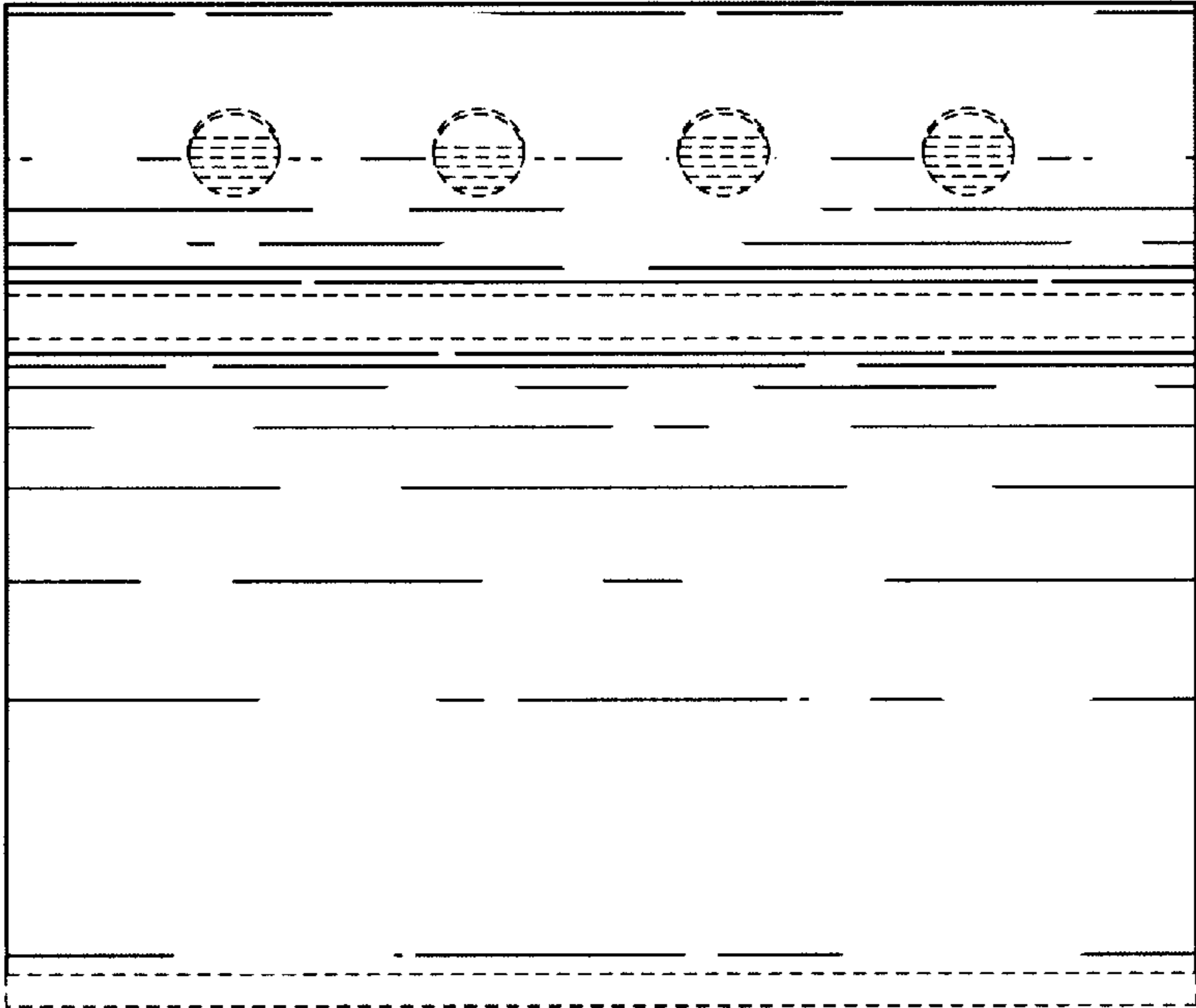
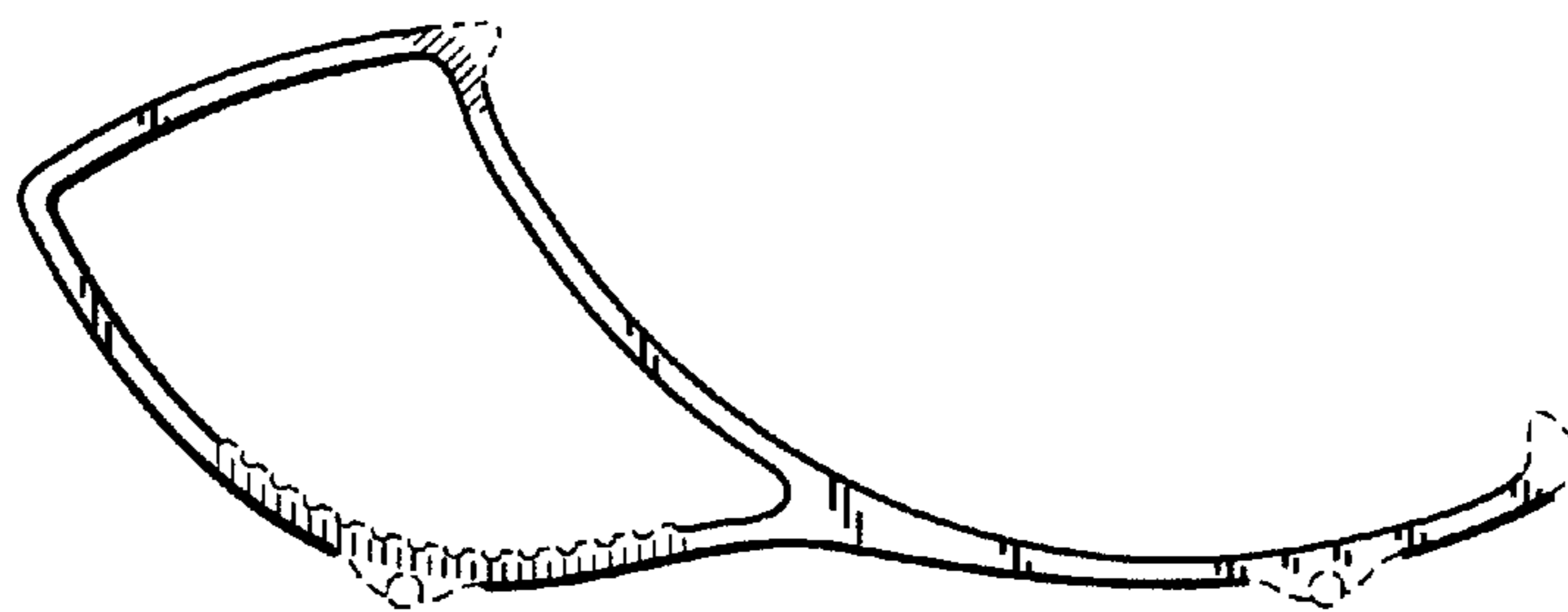
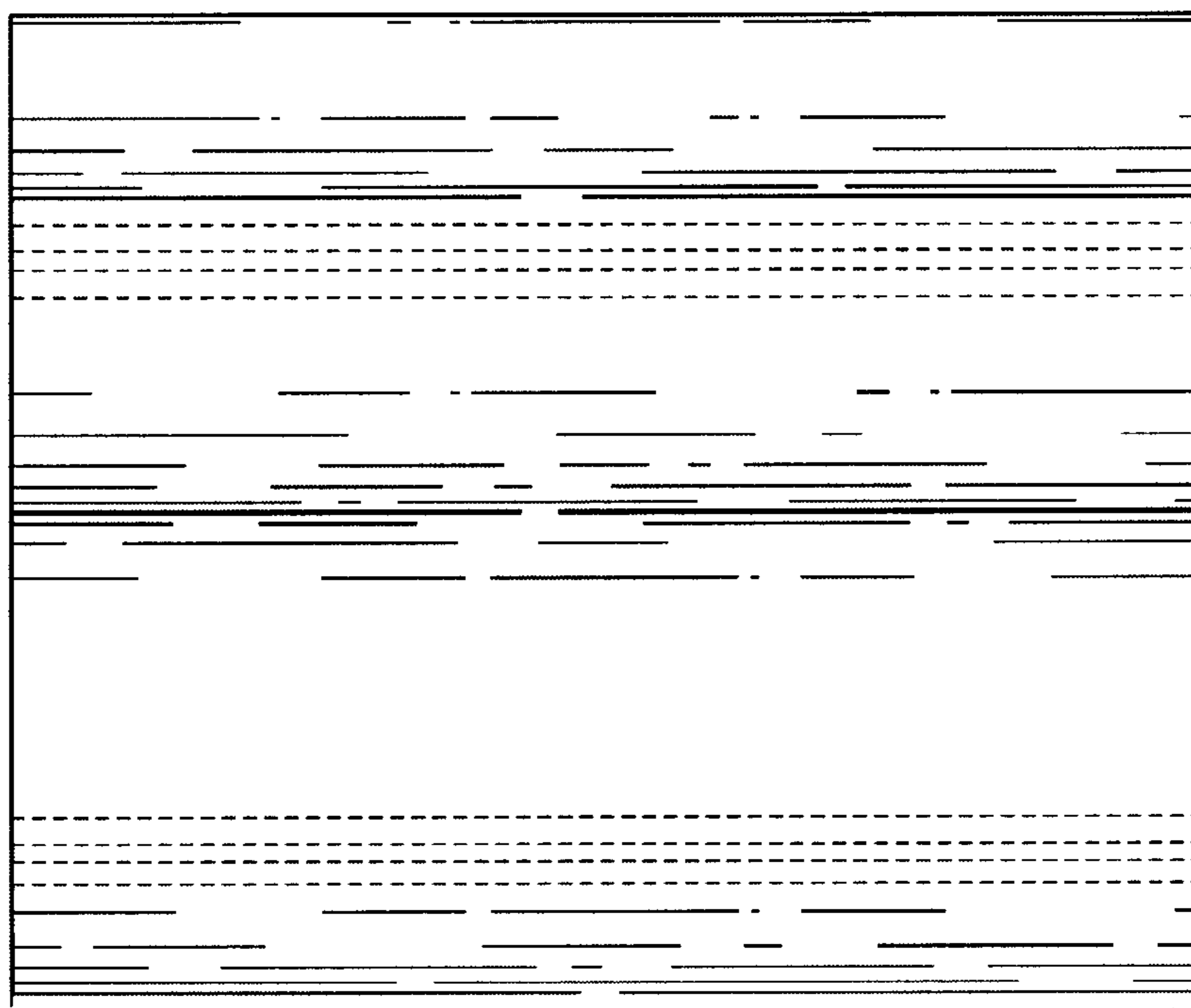


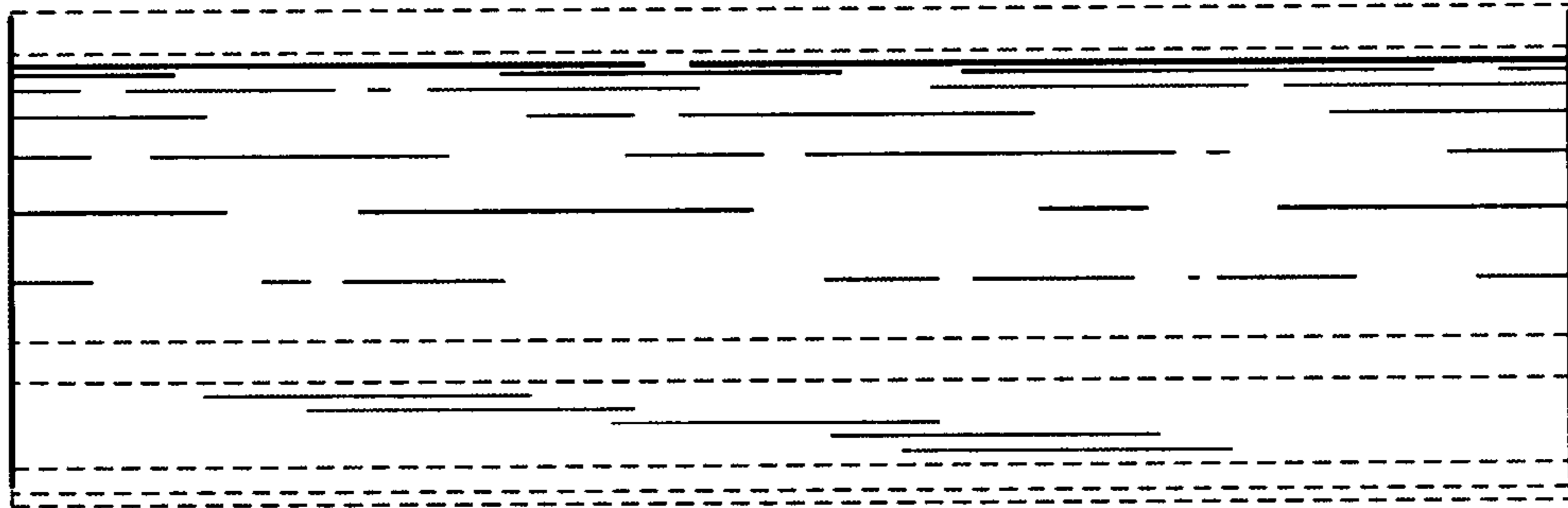
FIG. 2



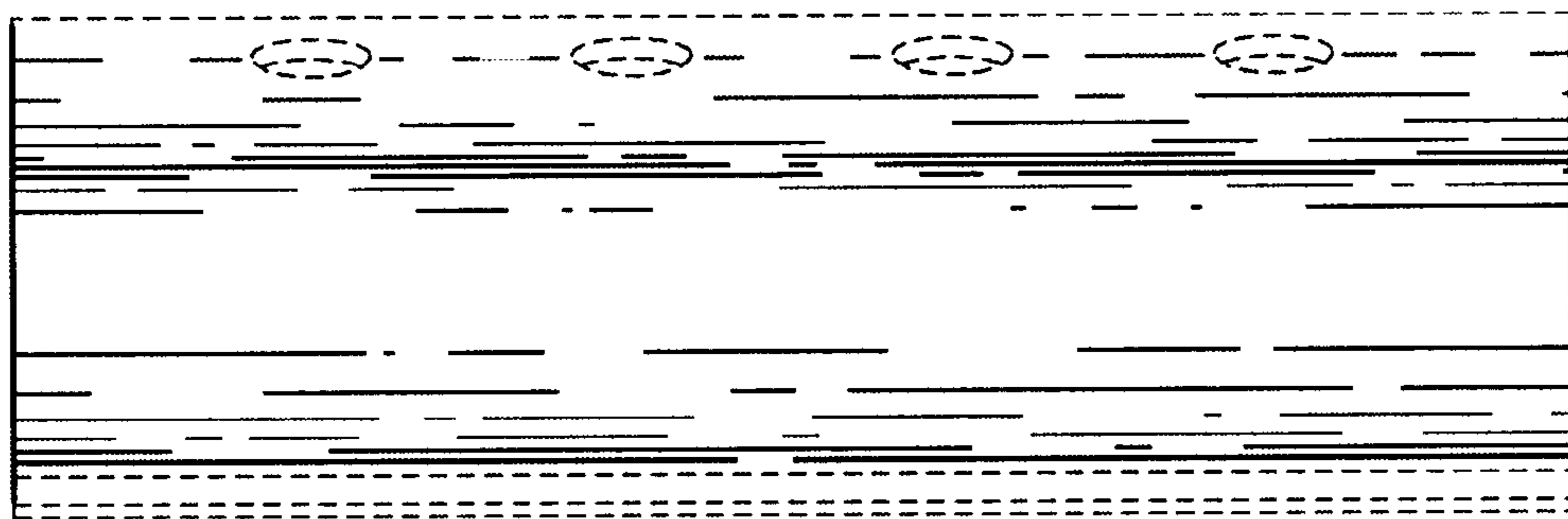
*FIG. 3*



*FIG. 4*



*FIG. 5*



*FIG. 6*