

US00D534948S

(12) **United States Design Patent**  
**Steinmetz et al.**

(10) **Patent No.:** **US D534,948 S**

(45) **Date of Patent:** **\*\* Jan. 9, 2007**

(54) **INK CONTAINER**

(75) Inventors: **Charles R. Steinmetz**, Corvallis, OR (US); **Ronald R. Anderson**, Corvallis, OR (US); **Peter G. Hwang**, Vancouver, WA (US); **Daniel W. Petersen**, Philomath, OR (US); **Lisa M. Hanson**, Vancouver, WA (US); **Daniel R. Dwyer**, BattleGround, WA (US)

(73) Assignee: **Hewlett-Packard Development Company, L.P.**, Houston, TX (US)

(\*\*) Term: **14 Years**

(21) Appl. No.: **29/204,981**

(22) Filed: **May 7, 2004**

(51) **LOC (8) Cl.** ..... **18-02**

(52) **U.S. Cl.** ..... **D18/56; 347/86**

(58) **Field of Classification Search** ..... D18/40, D18/43, 56; 347/33, 49, 50, 86-87; 399/110  
See application file for complete search history.

(56) **References Cited**

**U.S. PATENT DOCUMENTS**

D436,618 S \* 1/2001 Kotaki et al. .... D18/56  
D440,599 S \* 4/2001 Kotaki et al. .... D18/56

D441,013 S \* 4/2001 Kotaki et al. .... D18/56  
D477,020 S \* 7/2003 Seino ..... D18/56  
D495,735 S \* 9/2004 Levin et al. .... D18/56  
D497,176 S \* 10/2004 Levin et al. .... D18/56  
2003/0142180 A1 \* 7/2003 Gonzeles ..... 347/86  
2004/0021751 A1 \* 2/2004 Steinmetz et al. .... 347/86  
2004/0183873 A1 \* 9/2004 Steinmetz et al. .... 347/86

\* cited by examiner

*Primary Examiner*—Cathy Anne MacCormac

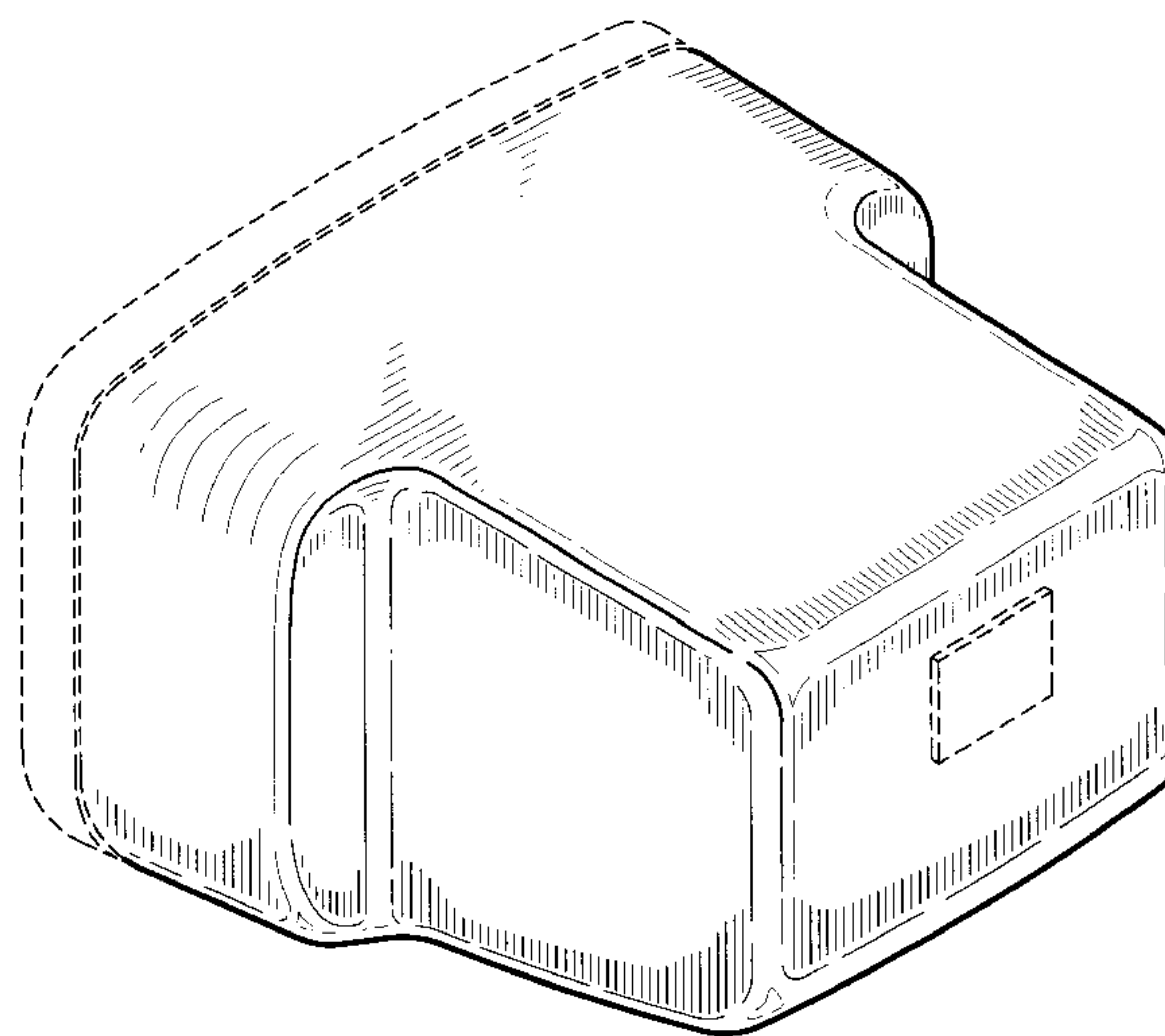
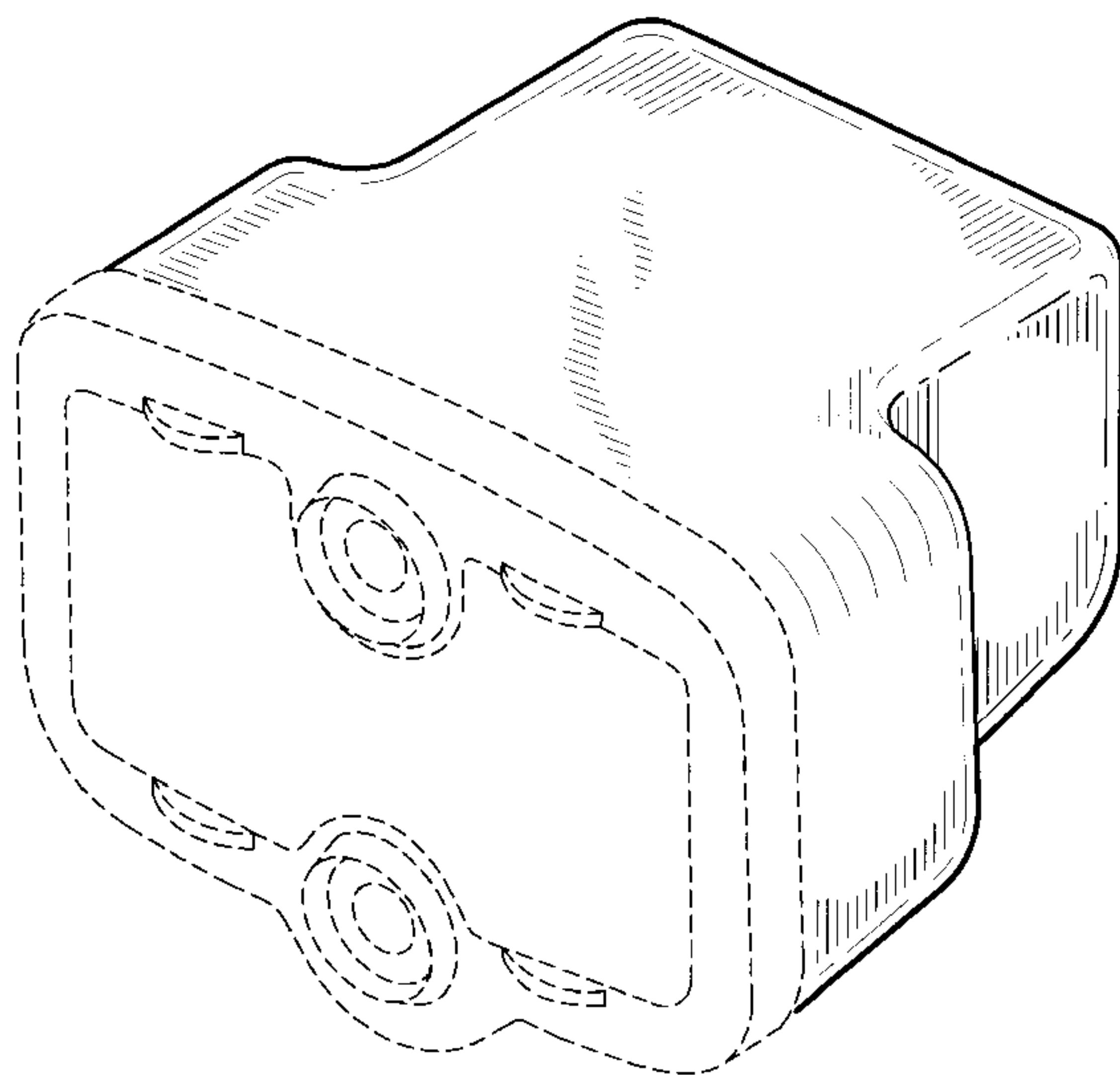
(57) **CLAIM**

The ornamental design for an ink container, as shown and described.

**DESCRIPTION**

FIG. 1 is an enlarged left-rear perspective view of an ink container showing the new design; FIG. 2 is a top view thereof; FIG. 3 is a bottom view thereof; FIG. 4 is a left side view thereof; FIG. 5 is a right side view thereof; FIG. 6 is a front view thereof; and, FIG. 7 is an enlarged left-front perspective view thereof. The broken lines in FIGS. 1-7 are for illustrative purposes only and form no part of the claimed design.

**1 Claim, 5 Drawing Sheets**



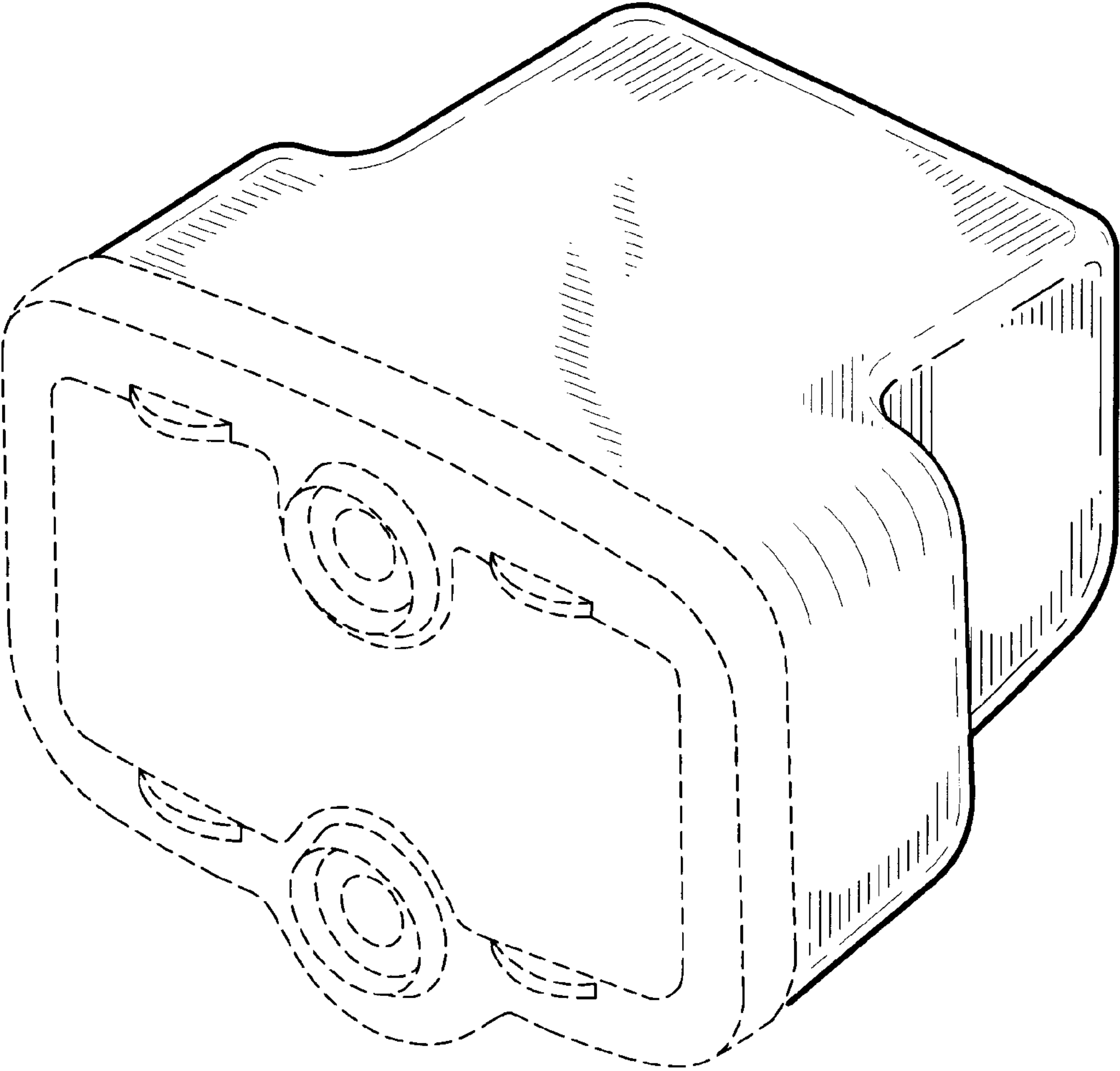


Fig. 1

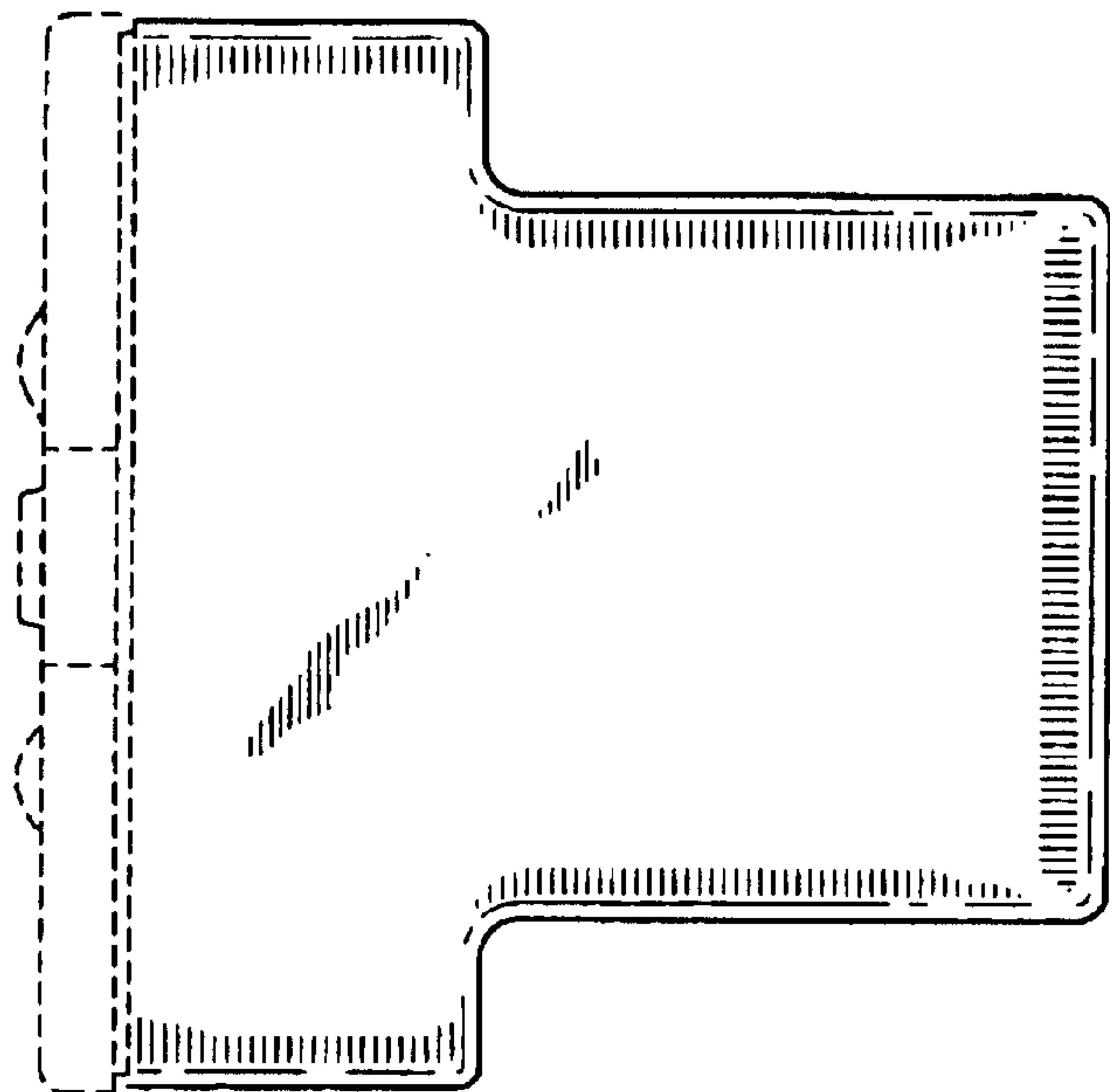


Fig. 2

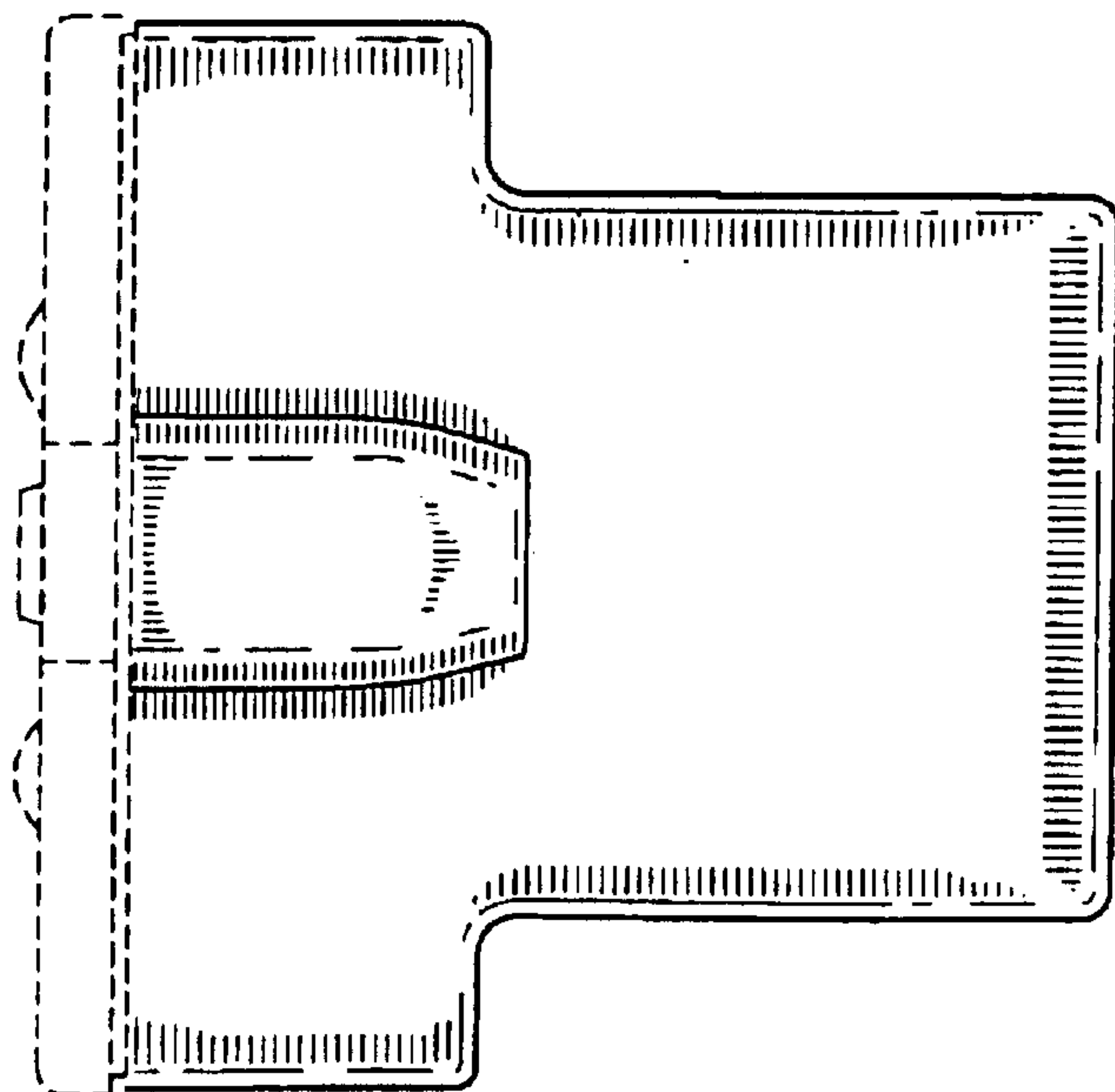


Fig. 3

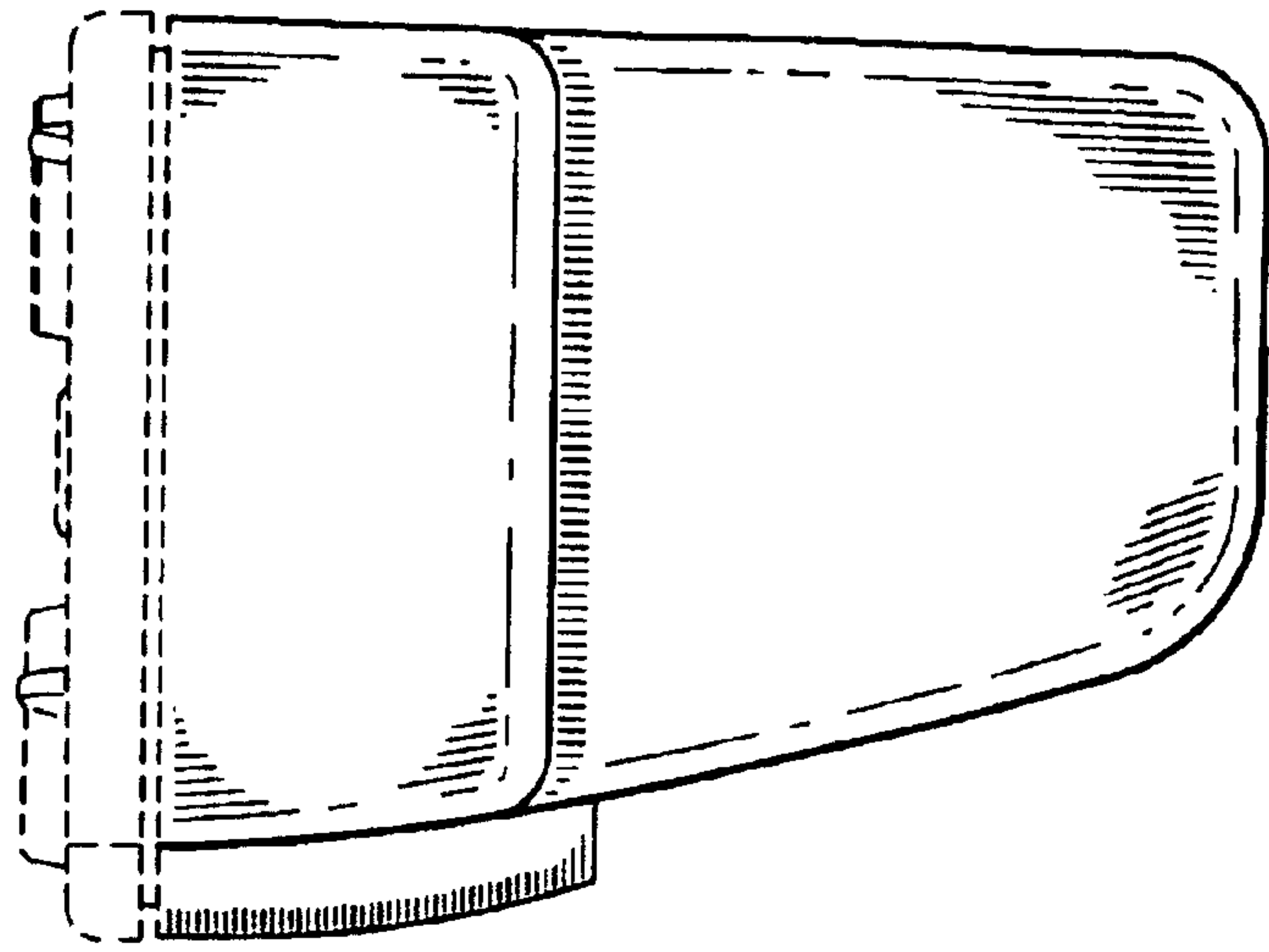


Fig. 4

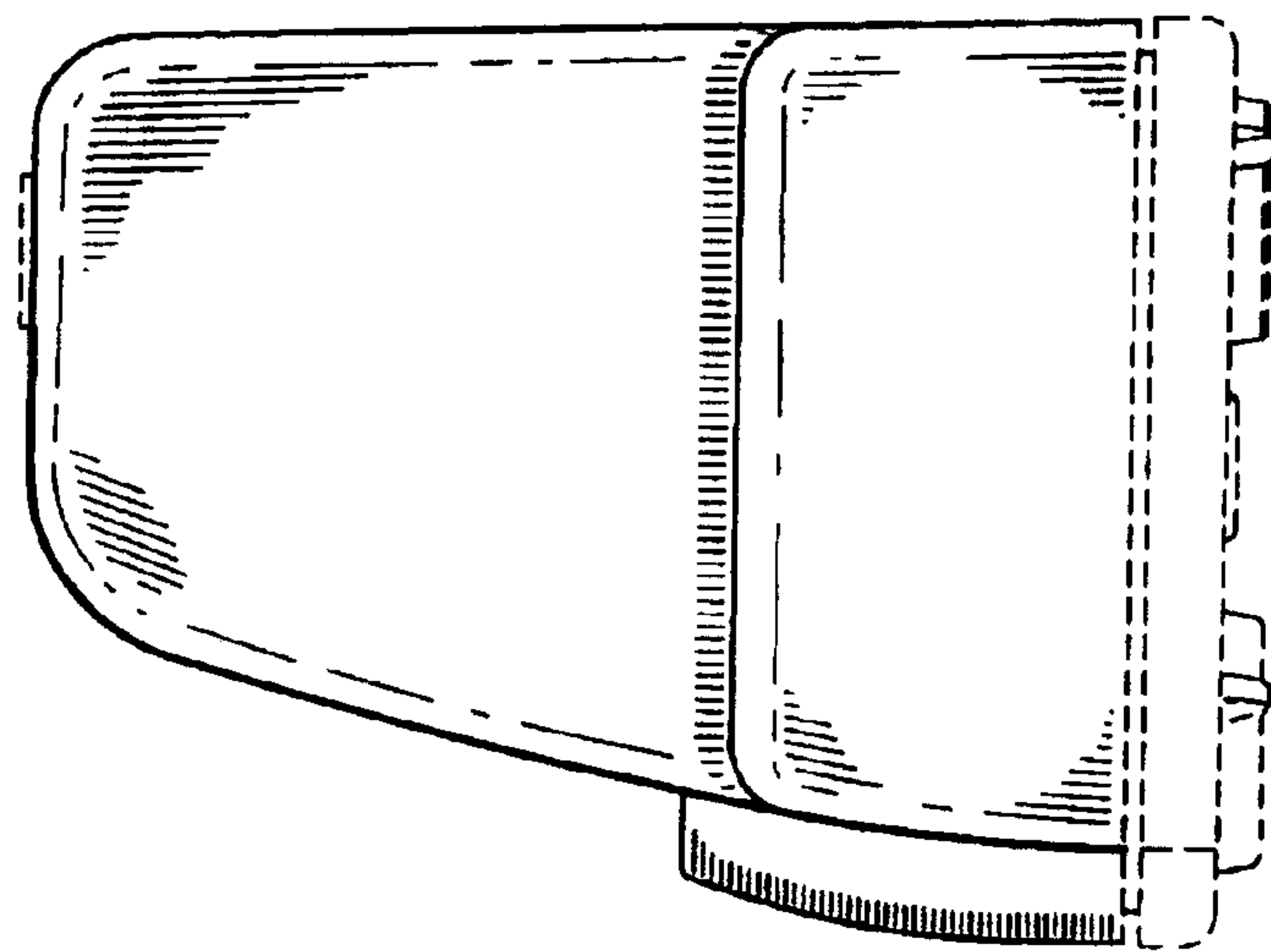


Fig. 5

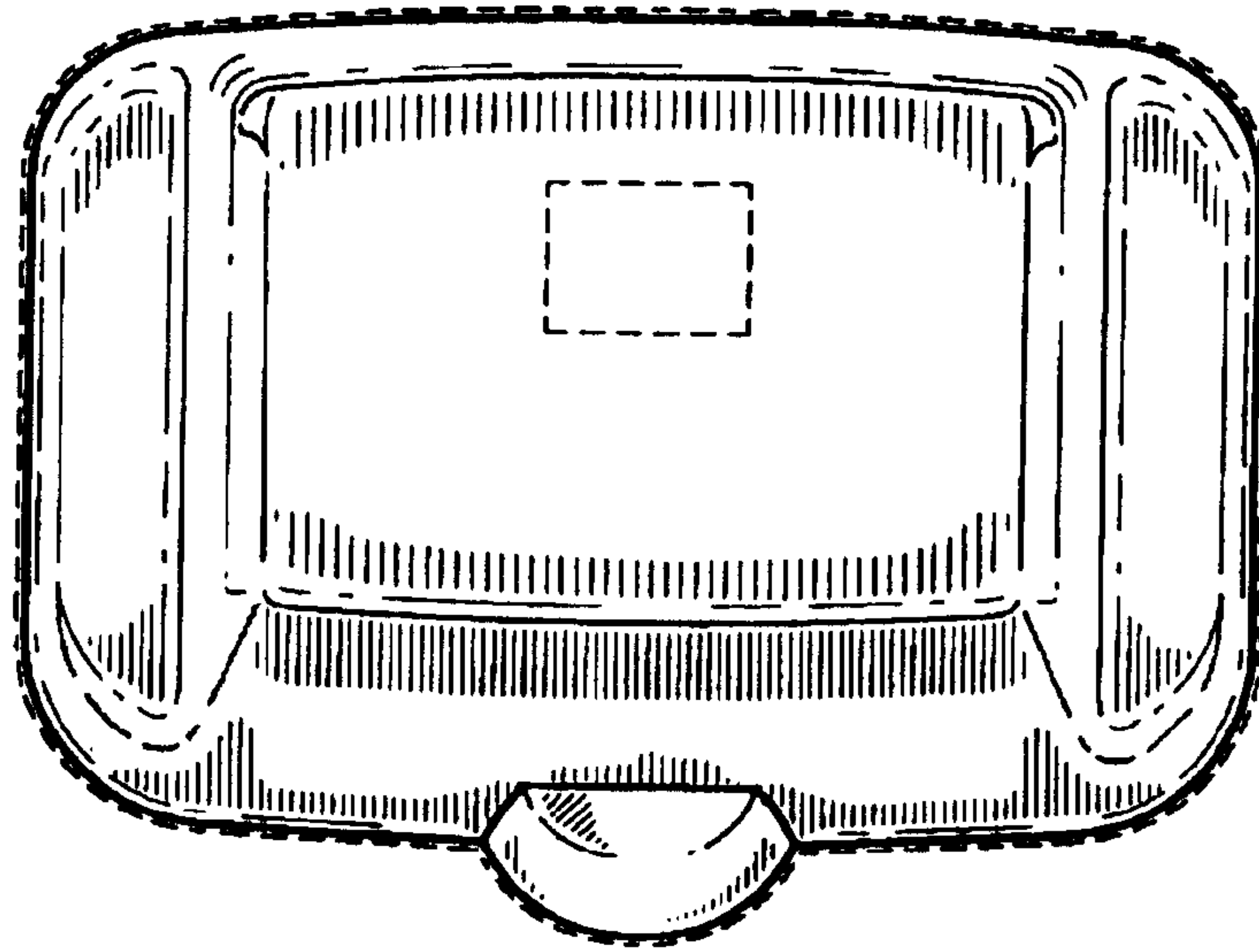


Fig. 6

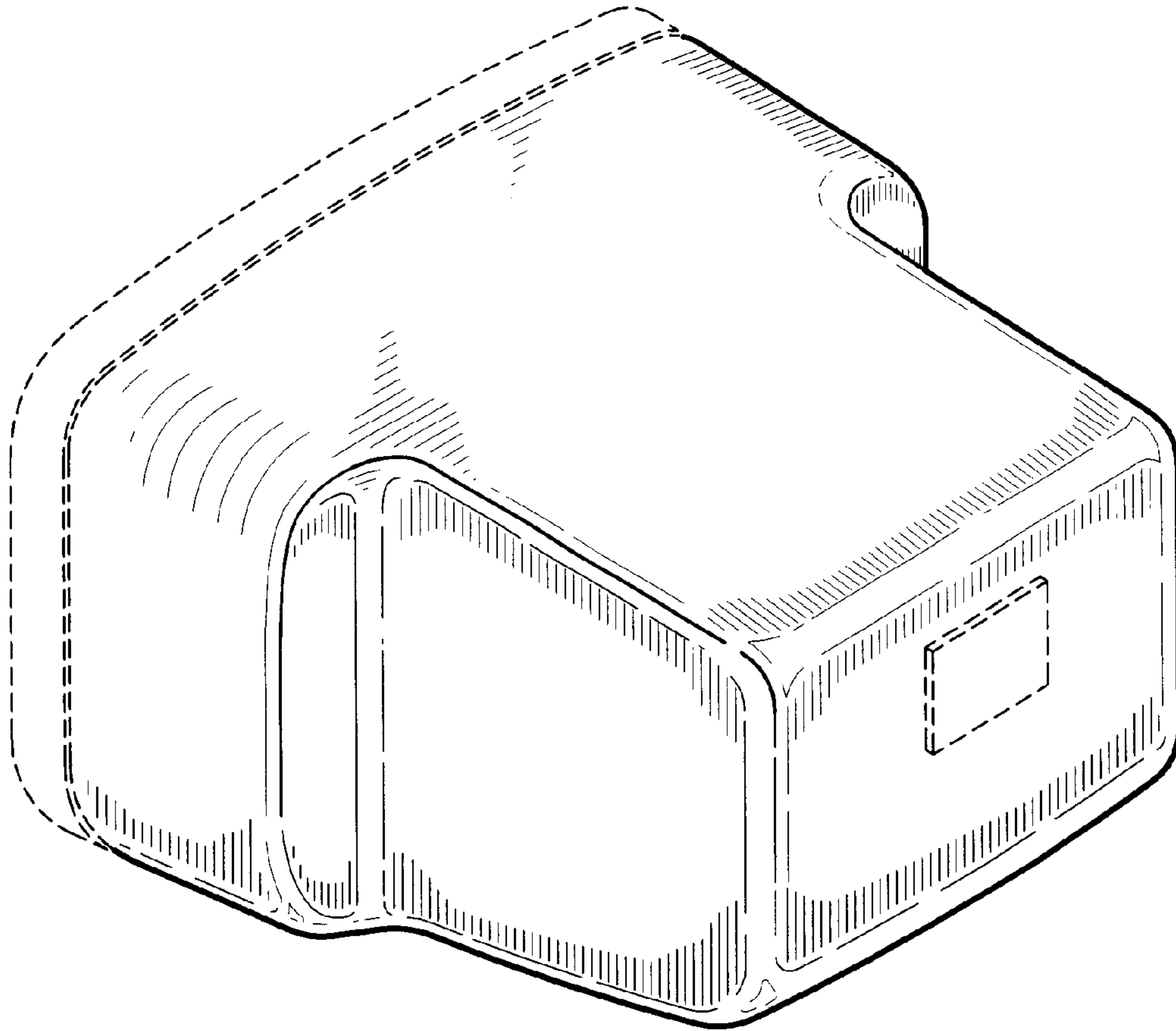


Fig. 7