



US00D534939S

(12) **United States Design Patent**
Sheehan et al.

(10) **Patent No.:** **US D534,939 S**
(45) **Date of Patent:** **** Jan. 9, 2007**

(54) **CAMERA CLIP**

(75) Inventors: **Peter Sheehan**, Wicklow County (IE);
David Maher, Dublin (IE); **Laurence Massey**, Dublin (IE); **Andrew Heyman**, San Jose, CA (US); **Mark Martinez**, San Francisco, CA (US); **Ya Wen Hsu**, Hsinchu (TW)

(73) Assignee: **Logitech Europe S.A.**, Romanel-sur Morges (CH)

(**) Term: **14 Years**

(21) Appl. No.: **29/230,271**

(22) Filed: **May 17, 2005**

(51) **LOC (8) Cl.** **16-01**

(52) **U.S. Cl.** **D16/208; D16/218; D16/237**

(58) **Field of Classification Search** D3/266,
D3/267; D16/200-204, 208, 218, 219, 237,
D16/242; 224/269, 908; 348/373, 374; 396/429,
396/535, 536-541

See application file for complete search history.

(56) **References Cited**

U.S. PATENT DOCUMENTS

D107,101 S * 11/1937 Sanborn D3/267

6,168,057 B1 * 1/2001 Schwabe 224/269
6,188,881 B1 * 2/2001 Braxton 455/351
D440,587 S * 4/2001 Morooka D16/202
6,561,702 B1 * 5/2003 Yik 396/420
D523,457 S * 6/2006 Tan D16/202

* cited by examiner

Primary Examiner—Adir Aronovich

(74) *Attorney, Agent, or Firm*—Townsend and Townsend and Crew LLP

(57) **CLAIM**

The ornamental design for camera clip, as shown and described.

DESCRIPTION

FIG. 1 is a perspective view of a camera clip showing our new design;

FIG. 2 is a front elevational view thereof;

FIG. 3 is a rear elevational view thereof;

FIG. 4 is a right elevational view thereof;

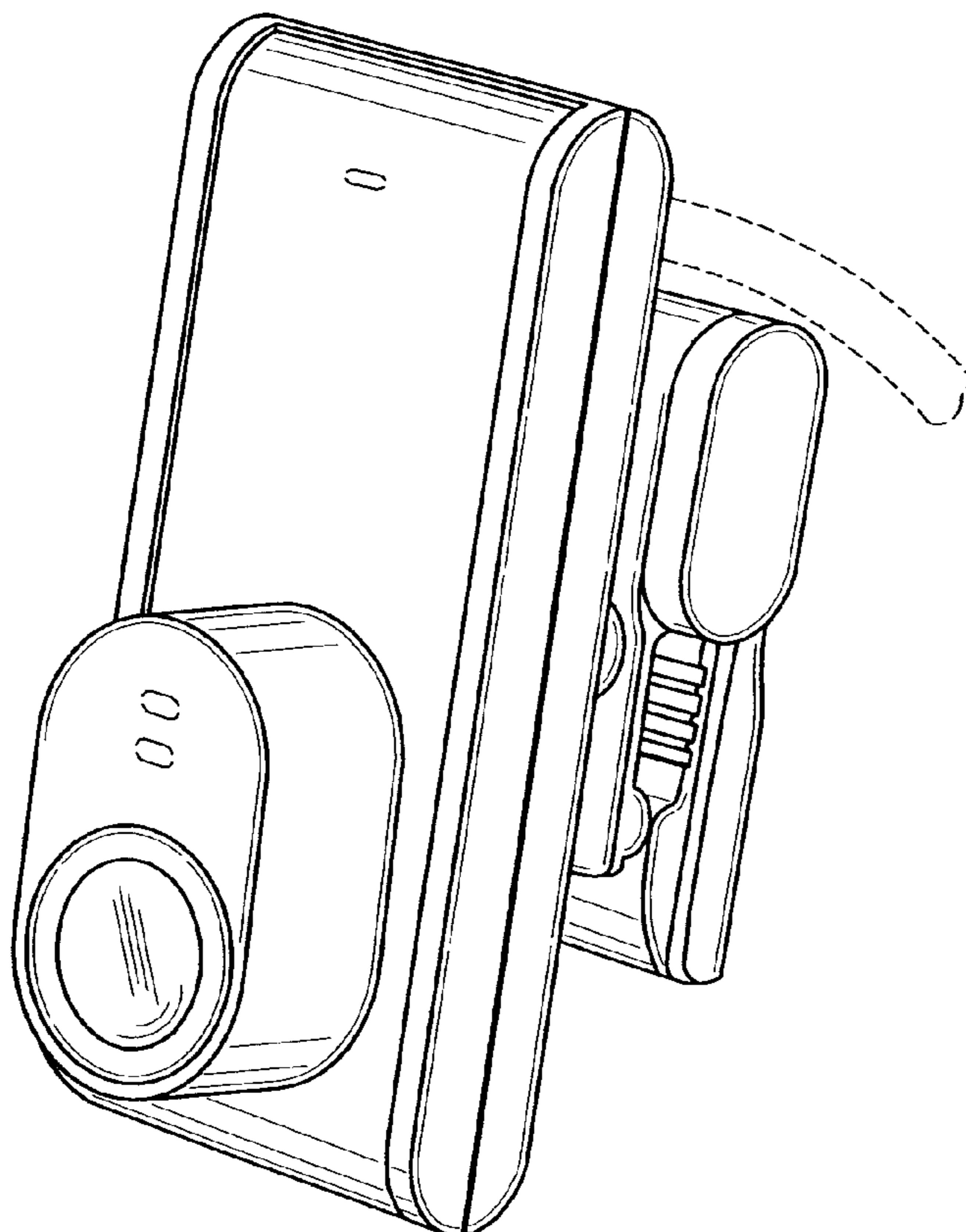
FIG. 5 is a left elevational view thereof;

FIG. 6 is a top plan view thereof; and,

FIG. 7 is a bottom plan view thereof.

The portions of the camera clip in broken lines are shown for illustrative purposes only and form no part of the claimed design.

1 Claim, 4 Drawing Sheets



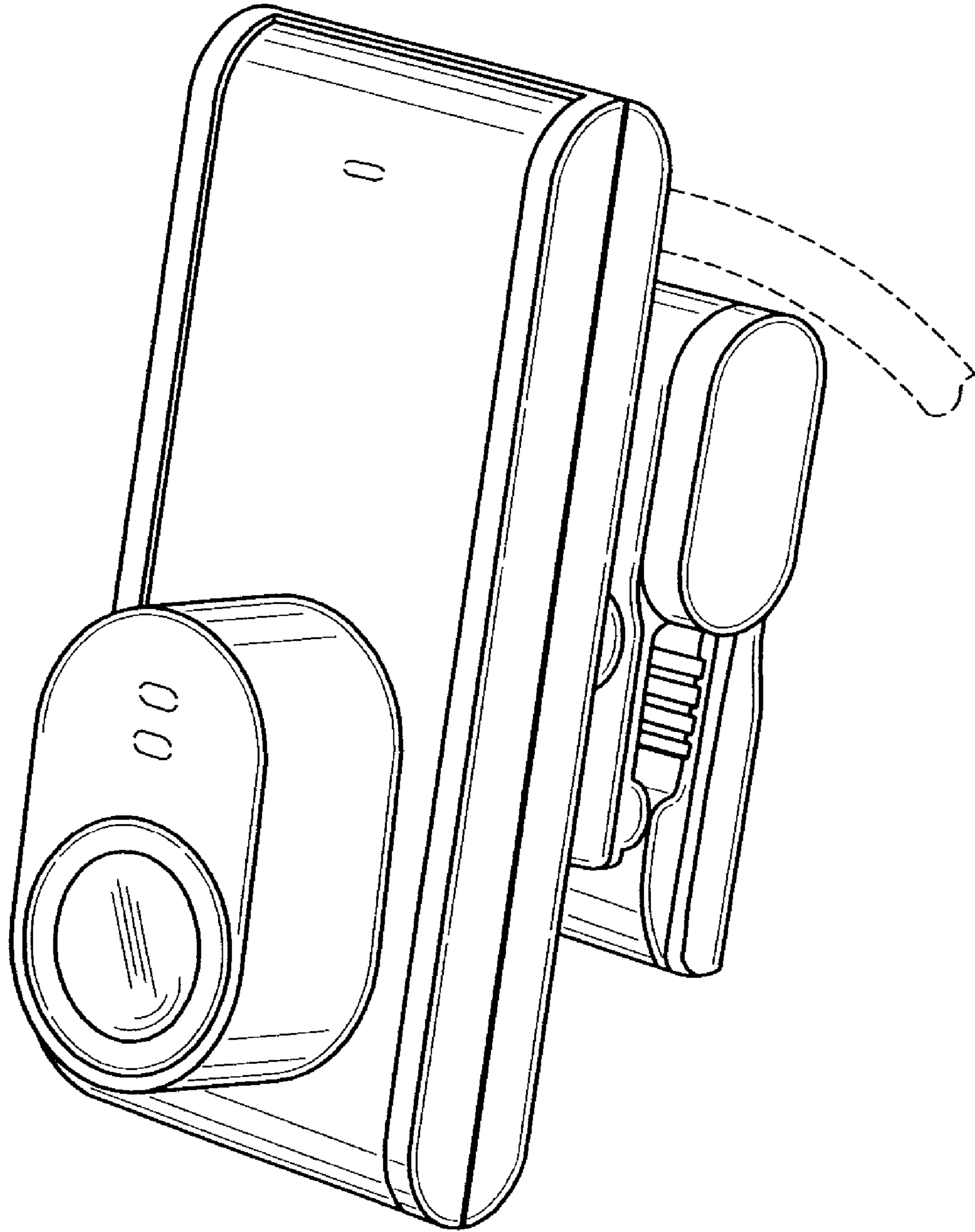


FIG. 1

FIG. 2

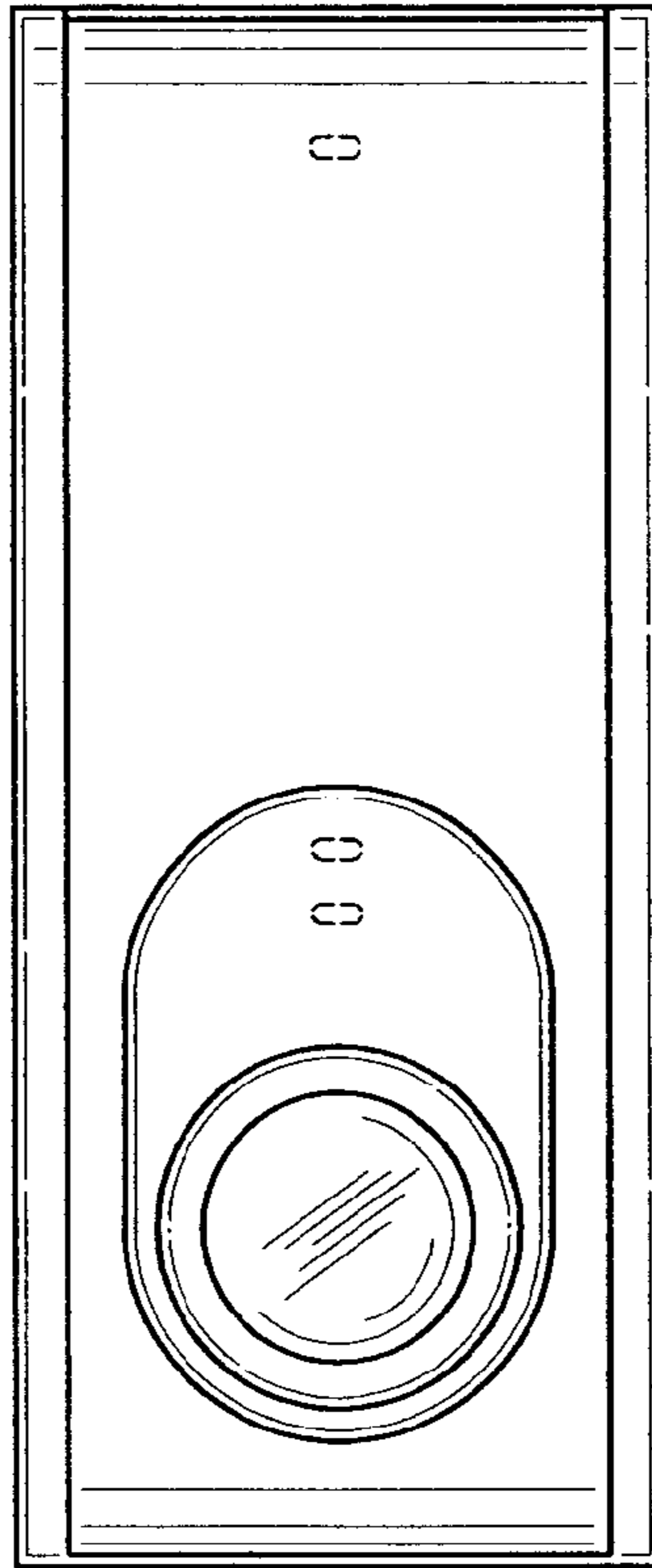


FIG. 3

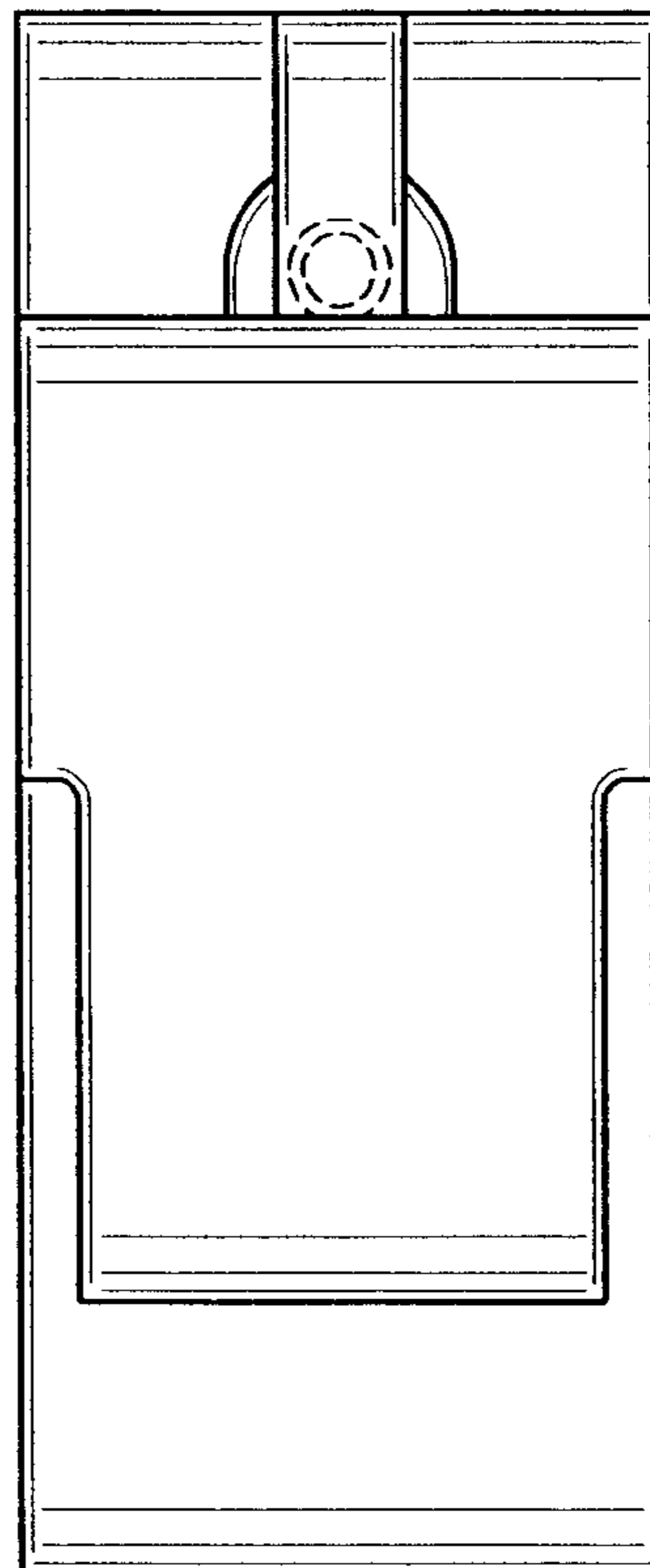


FIG. 4

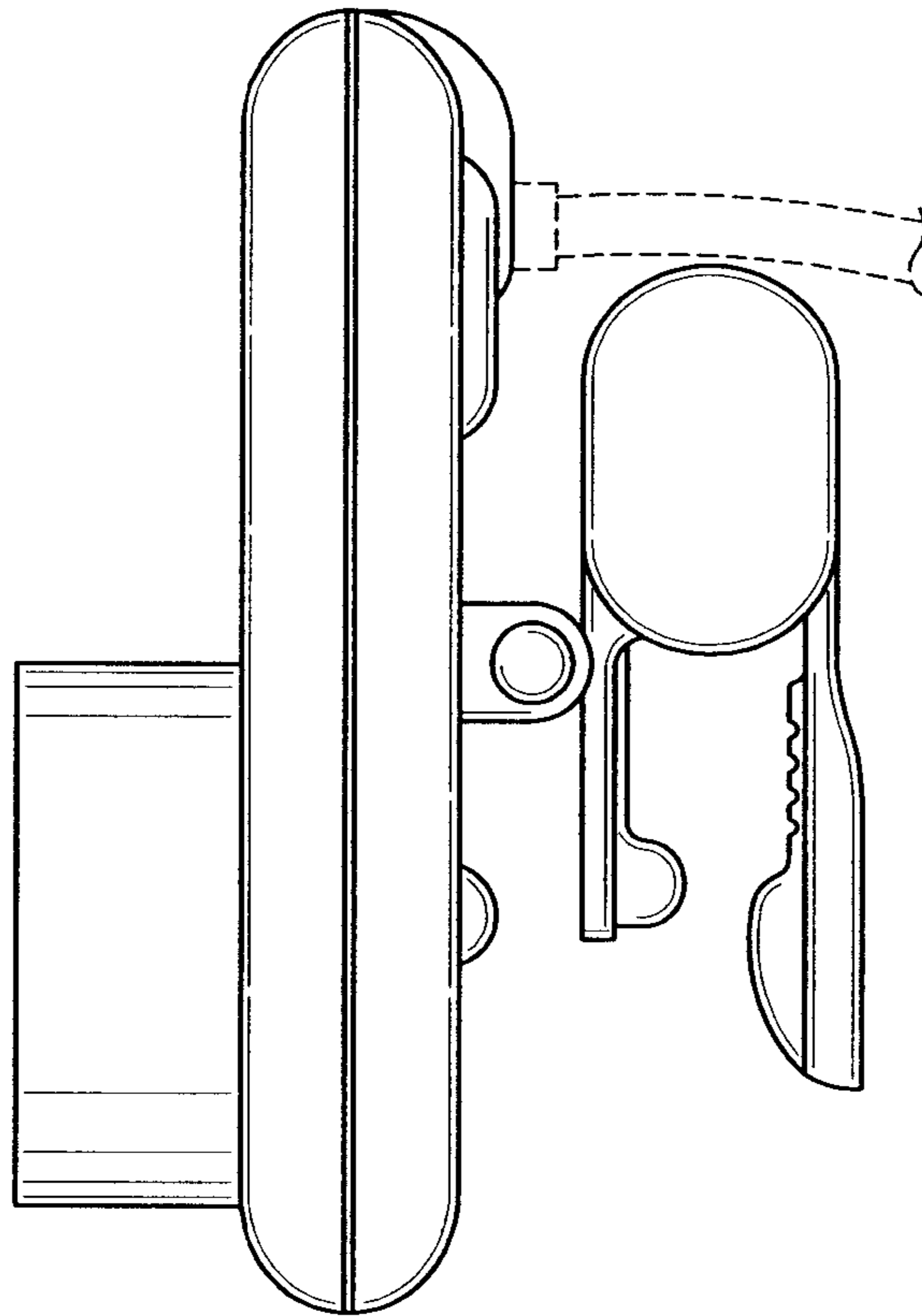
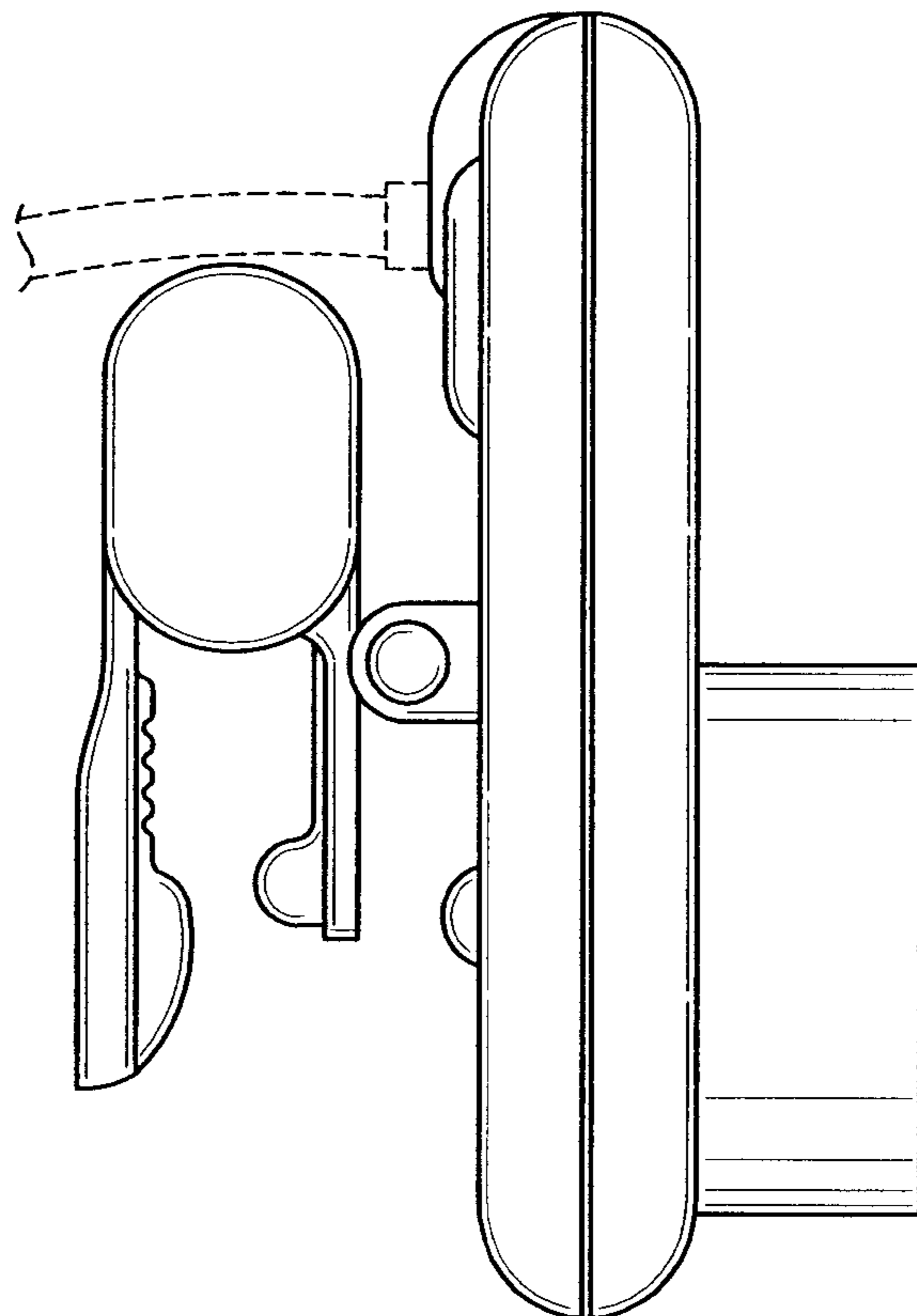


FIG. 5



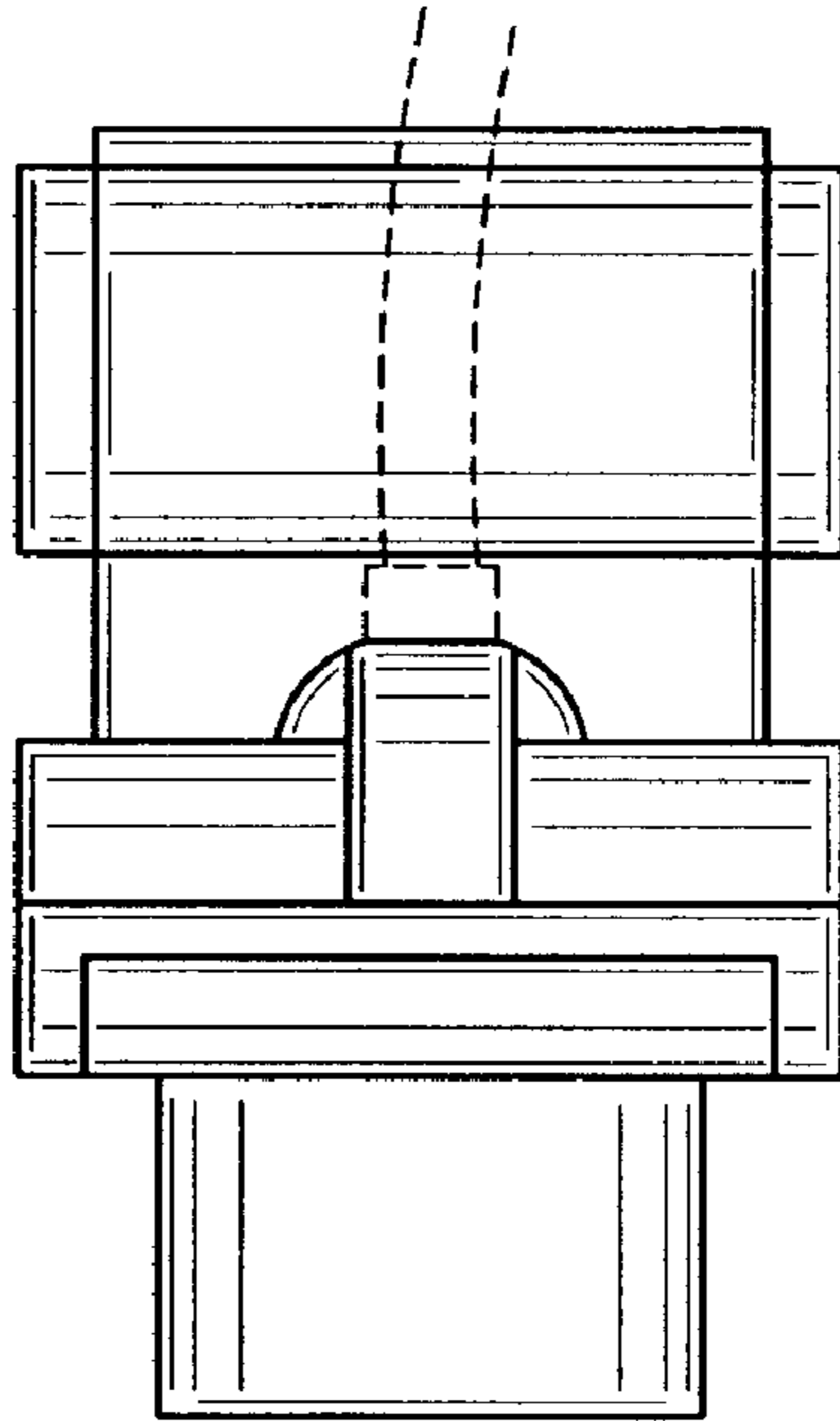


FIG. 6

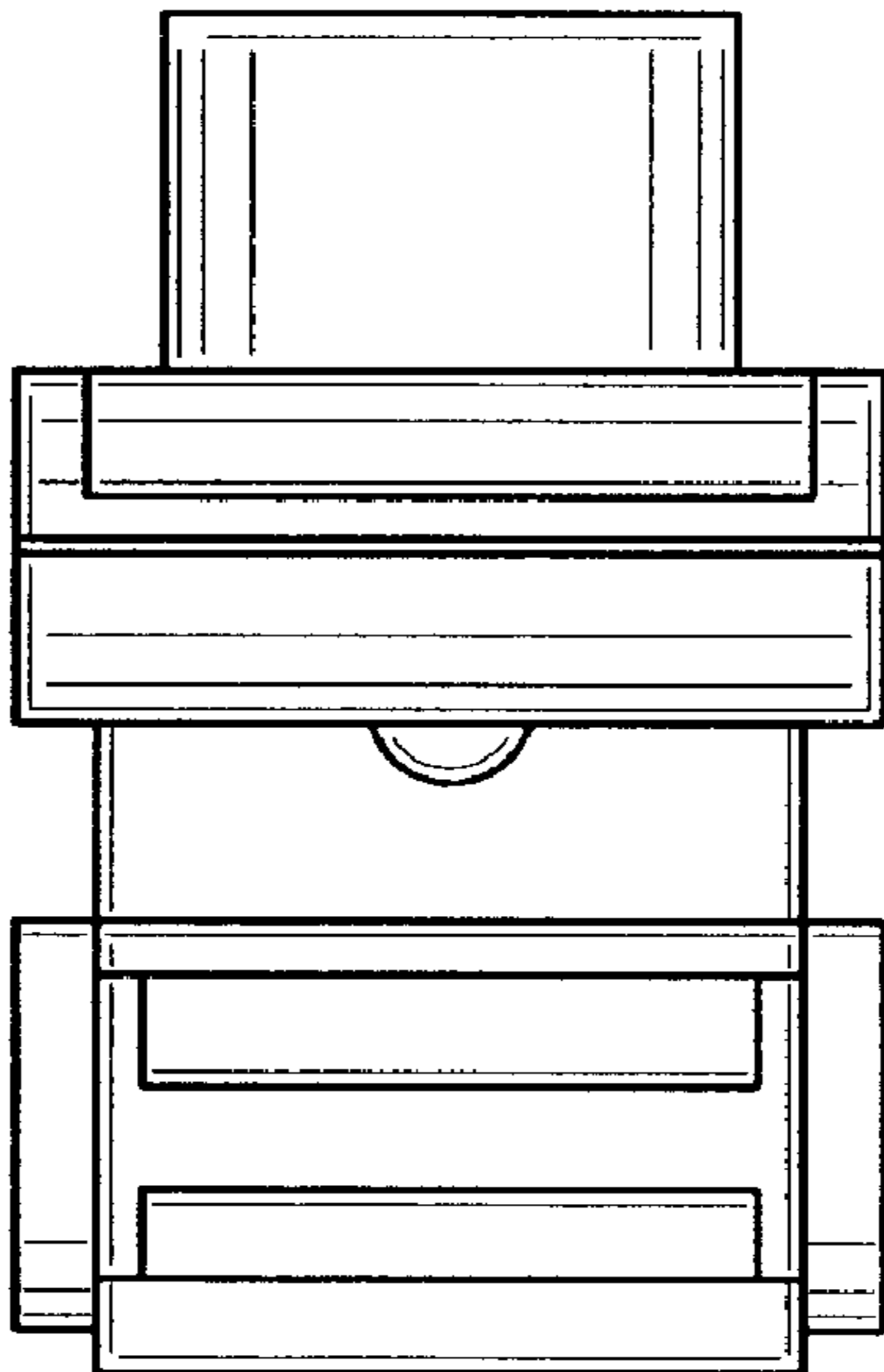


FIG. 7