



US00D534936S

(12) **United States Design Patent**
Sadatsuki

(10) **Patent No.:** **US D534,936 S**

(45) **Date of Patent:** **** Jan. 9, 2007**

(54) **VIDEO CAMERA**

(75) Inventor: **Koichi Sadatsuki**, Tokyo (JP)

(73) Assignee: **Sony Corporation**, Tokyo (JP)

(**) Term: **14 Years**

(21) Appl. No.: **29/233,022**

(22) Filed: **Jun. 28, 2005**

(30) **Foreign Application Priority Data**

Dec. 28, 2004 (JP) D2004-040413

(51) **LOC (8) Cl.** **16-01**

(52) **U.S. Cl.** **D16/202**

(58) **Field of Classification Search** D16/200–206,
D16/208, 218, 219; 348/373–376; 358/906,
358/909.1; 396/535–541

See application file for complete search history.

(56) **References Cited**

U.S. PATENT DOCUMENTS

5,499,052 A	*	3/1996	Nakanishi et al.	348/373
D410,016 S	*	5/1999	Maeyama	D16/202
D423,541 S	*	4/2000	Ohwada	D16/202
D429,742 S	*	8/2000	Fukushima	D16/202
D435,574 S		12/2000	Miyashita		
D463,467 S		9/2002	Sumita		
D496,061 S		9/2004	Hayashi		
D500,512 S		1/2005	Hayashi		

D500,776 S	*	1/2005	Miyashita	D16/202
D502,478 S	*	3/2005	Inuma et al.	D16/202
D505,438 S	*	5/2005	Kojima et al.	D16/202
D516,597 S	*	3/2006	Tsuchiya	D16/202
D516,600 S	*	3/2006	Tsuchiya	D16/202

OTHER PUBLICATIONS

Web page “DCR–DVD403” <http://www.sony.jp/products/Consumer/handcam/PRODUCTS/DCR–DVD403/>, 4 sheets, Sony Marketing (May, 2005).

* cited by examiner

Primary Examiner—Adir Aronovich

(74) *Attorney, Agent, or Firm*—Rader, Fishman & Grauer PLLC

(57) **CLAIM**

The ornamental design for a video camera, as shown.

DESCRIPTION

FIG. 1 is a perspective view of a video camera showing my new design;

FIG. 2 is a front elevational view thereof;

FIG. 3 is a rear elevational view thereof;

FIG. 4 is a left side elevational view thereof;

FIG. 5 is a right side elevational view thereof;

FIG. 6 is a top plan view thereof; and,

FIG. 7 is a bottom plan view thereof.

1 Claim, 7 Drawing Sheets

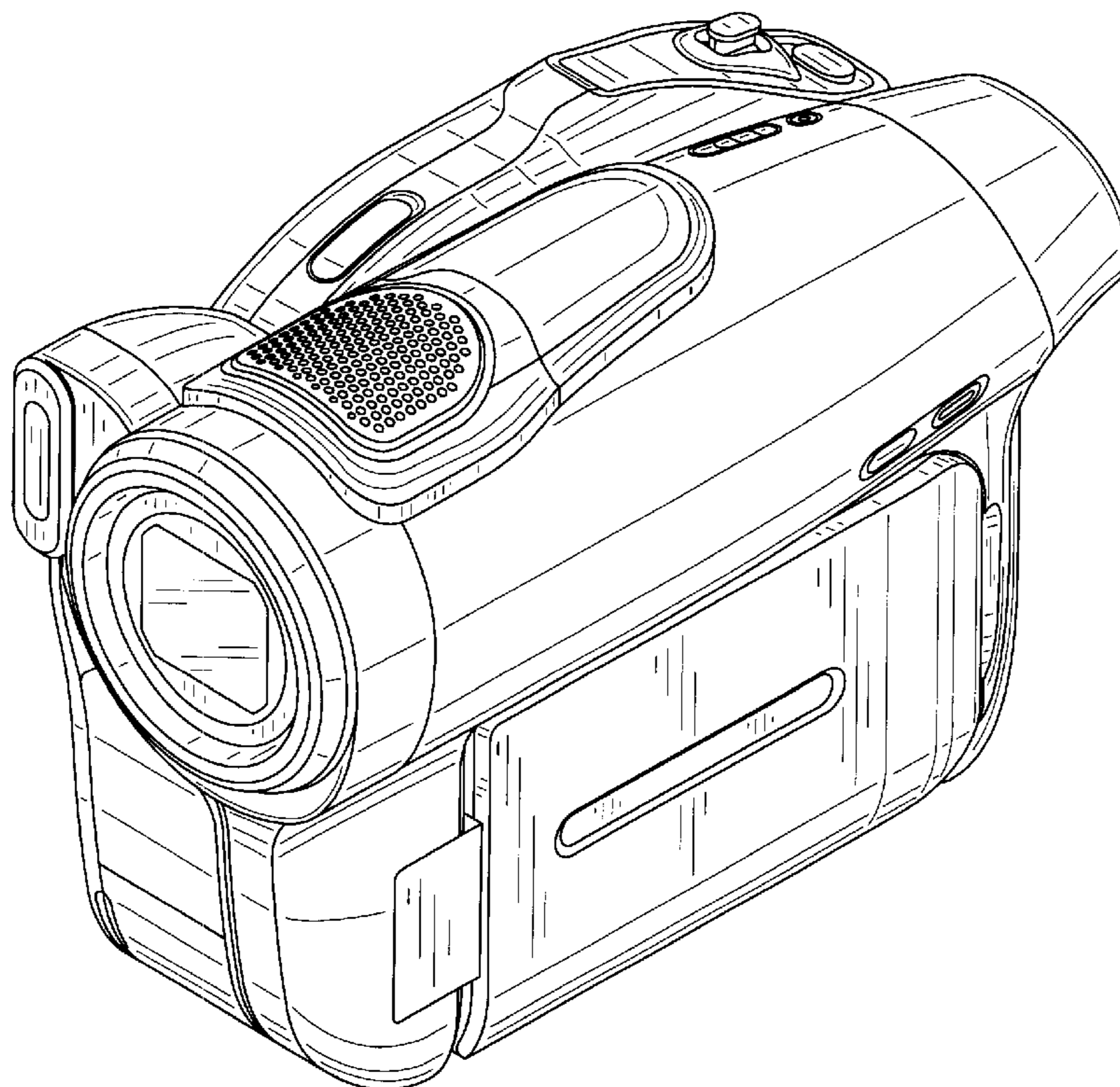


Fig.1

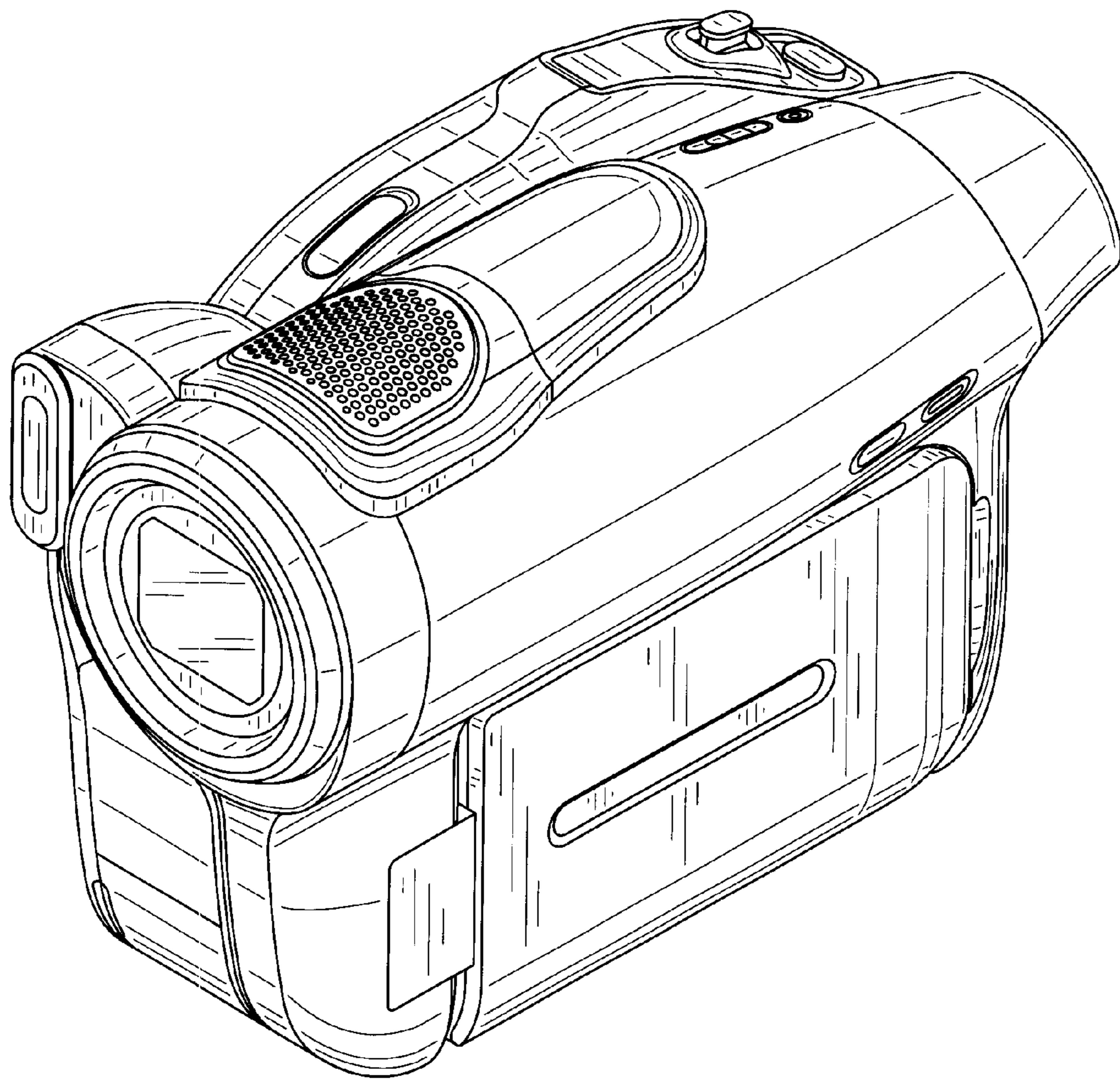


Fig.2

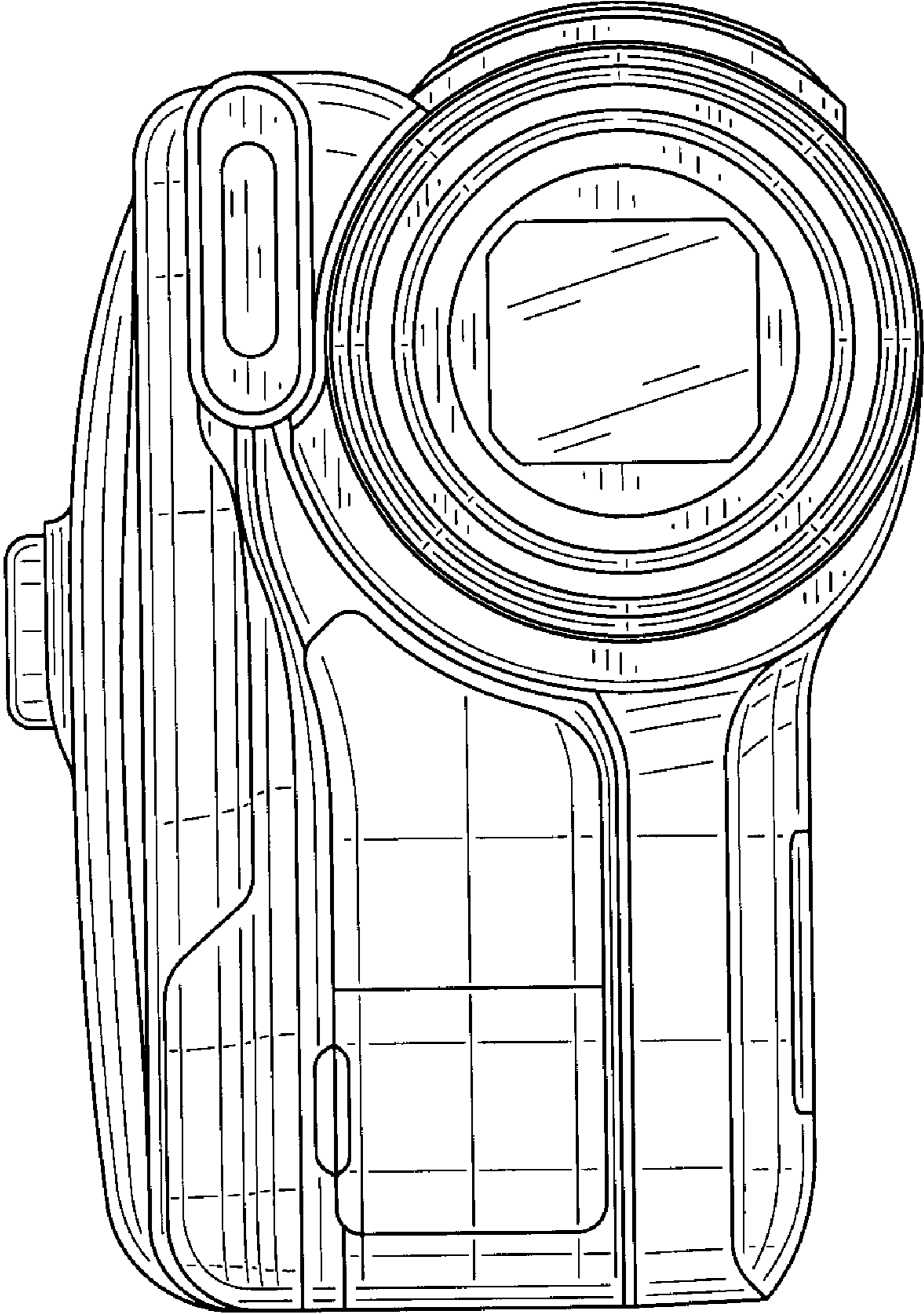


Fig.3

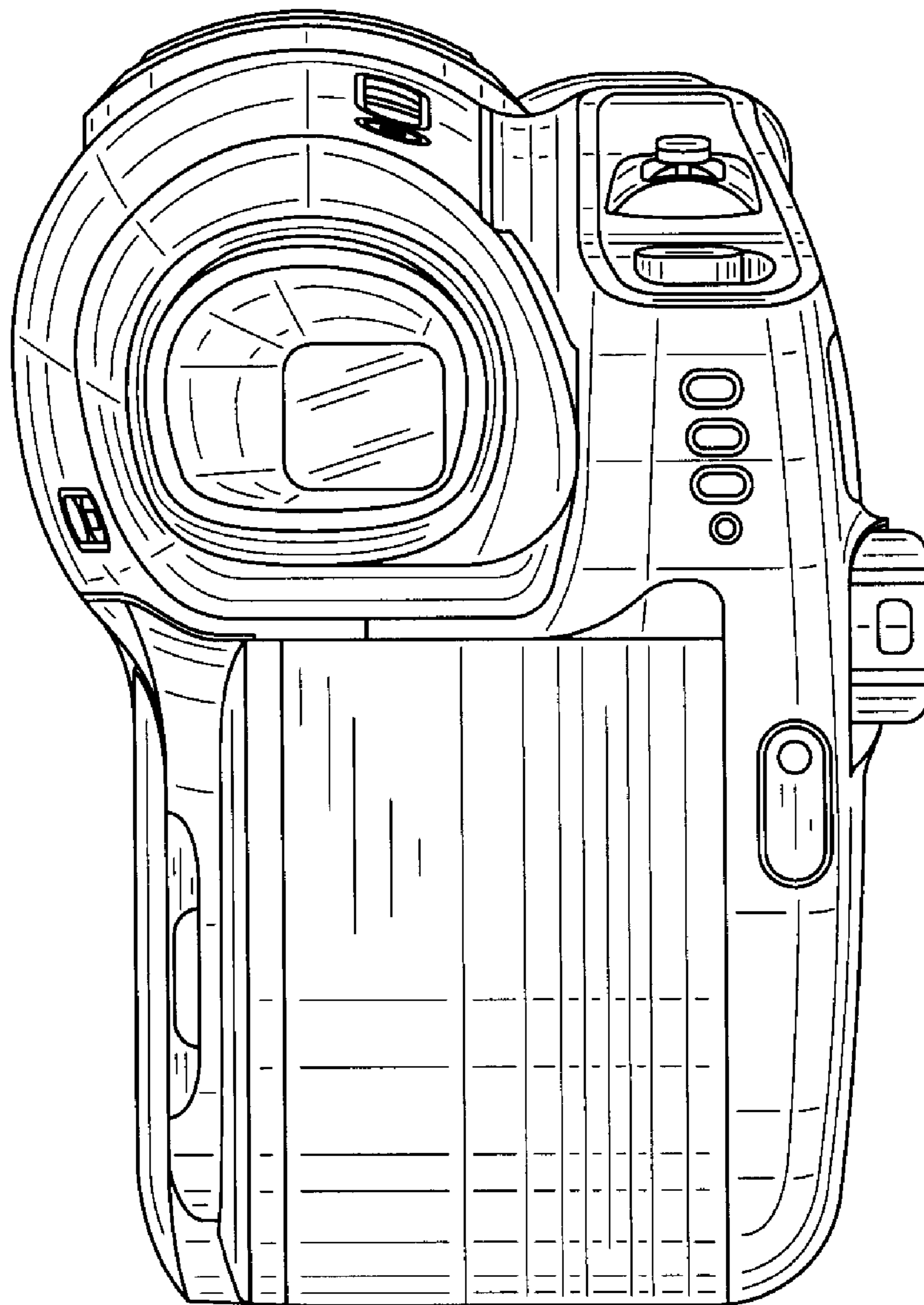


Fig.4

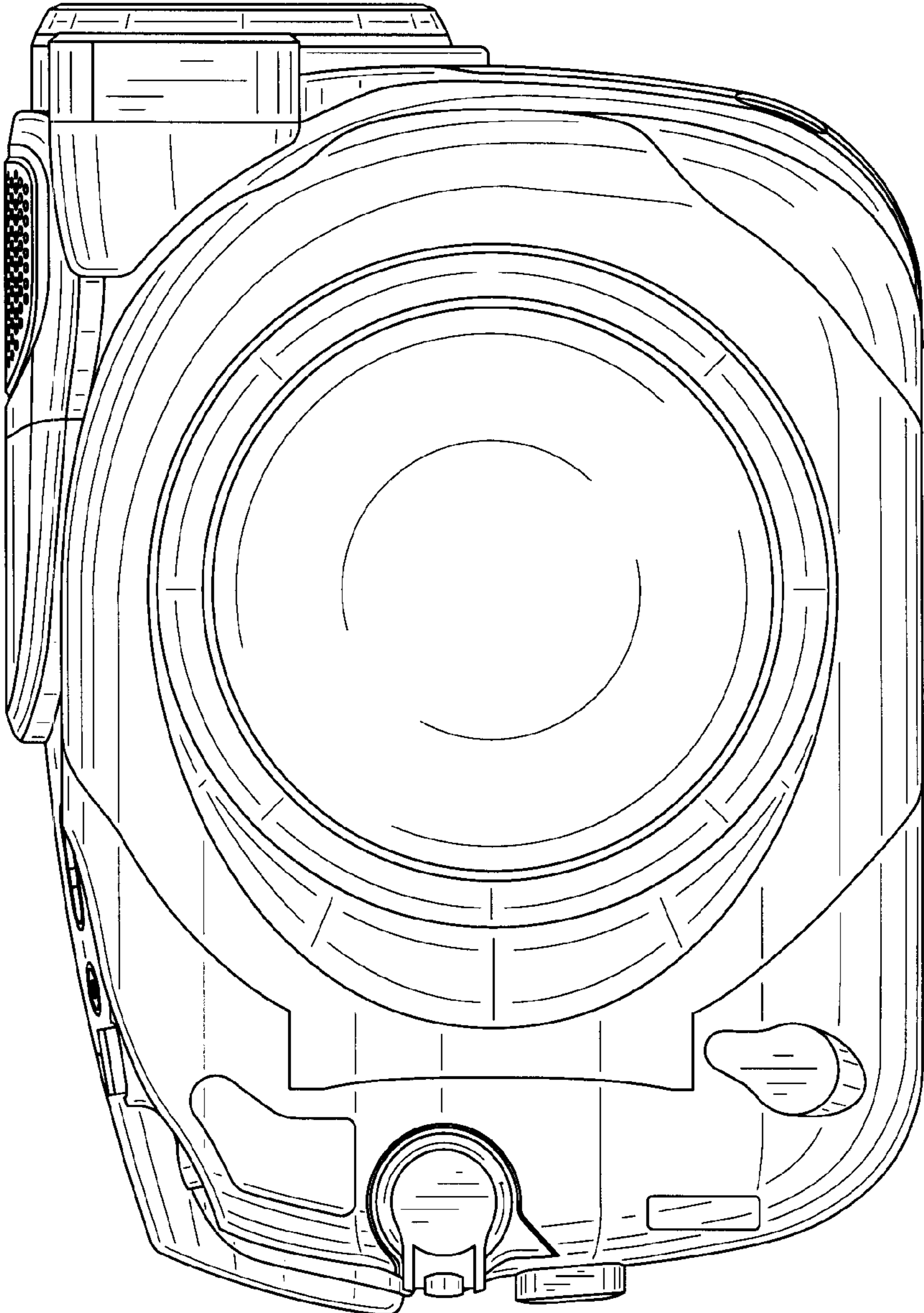


Fig.5

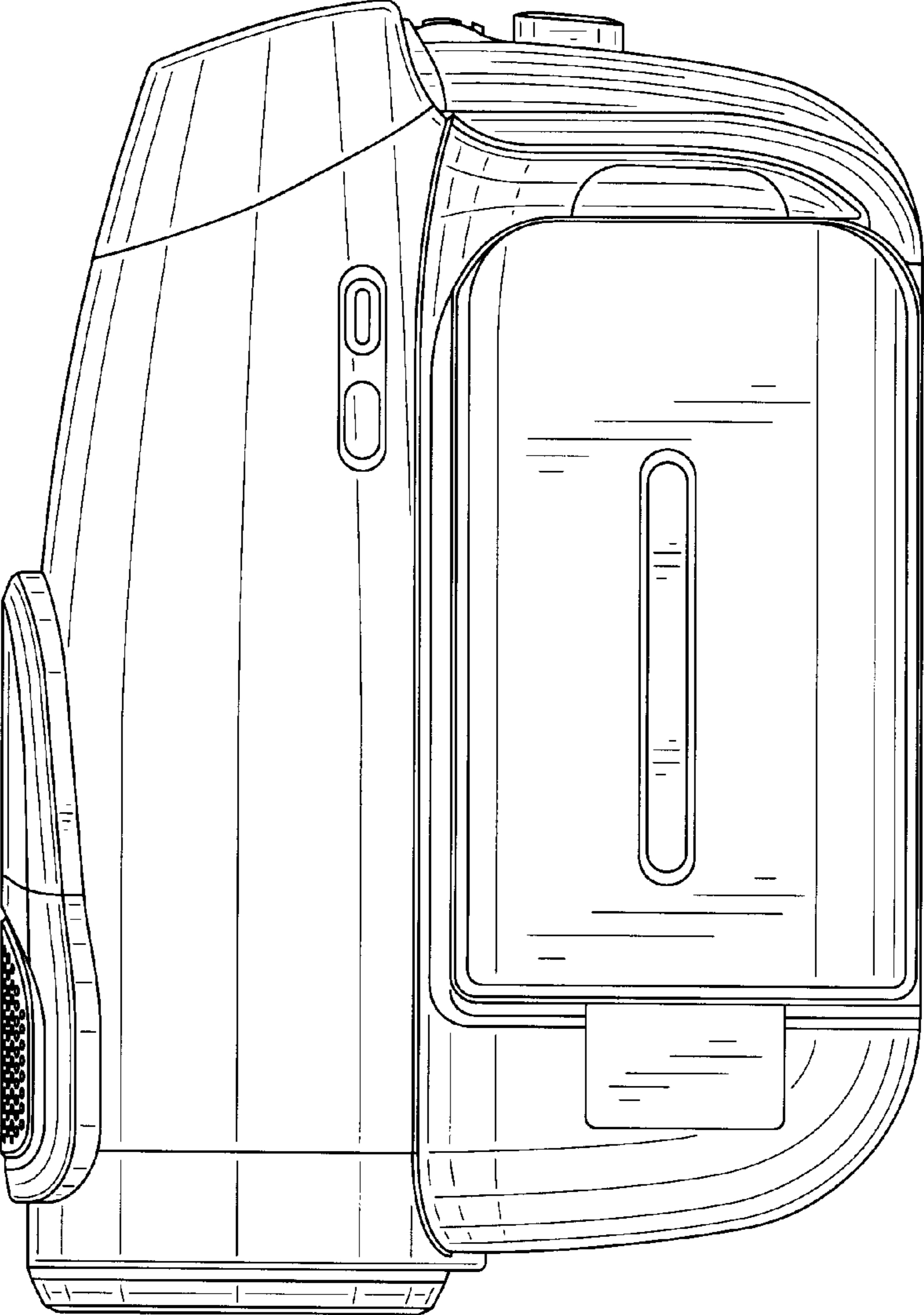


Fig.6

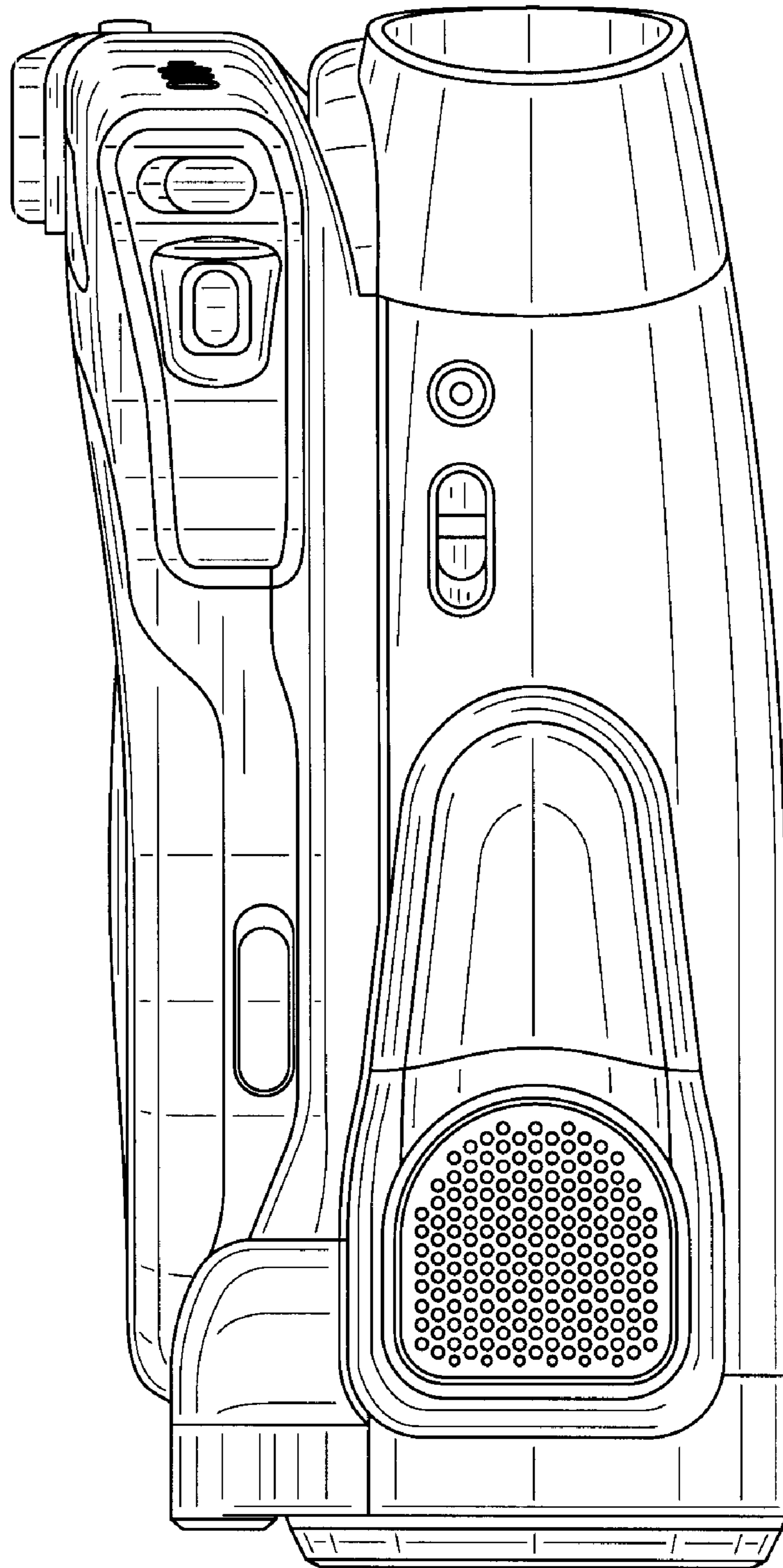


Fig.7

