



US00D534935S

(12) **United States Design Patent**
Griggs et al.

(10) **Patent No.:** **US D534,935 S**
(45) **Date of Patent:** **** Jan. 9, 2007**

(54) **NETTING PRODUCT CHUTE FOR
AUTOMATIC AND/OR MANUAL
PACKAGING OPERATIONS**

(75) Inventors: **Samuel D. Griggs**, Raleigh, NC (US);
Dennis J. May, Pittsboro, NC (US)

(73) Assignee: **Delaware Capital Formation, Inc.**,
Wilmington, DE (US)

(**) Term: **14 Years**

(21) Appl. No.: **29/195,602**

(22) Filed: **Dec. 15, 2003**

(51) **LOC (8) Cl.** **15-09**

(52) **U.S. Cl.** **D15/145**

(58) **Field of Classification Search** D15/145;
29/773, 806; 53/416-419, 413, 456, 563,
53/138.1, 138.2, 138.3, 138.4, 138.5, 138.6,
53/138.7, 138.8

See application file for complete search history.

(56) **References Cited**

U.S. PATENT DOCUMENTS

3,389,533 A 6/1968 Tipper et al.
3,499,259 A 3/1970 Tipper et al.

(Continued)

OTHER PUBLICATIONS

Product Brochure, 6 sheets, "Tipper Net For Smoking,
Hanging & Decoration, Net—All® Netting Is The Answer,"
© 2000.

(Continued)

Primary Examiner—Antoine D. Davis

(74) *Attorney, Agent, or Firm*—Myers Bigel Sibley &

Sajovec PA

(57) **CLAIM**

The ornamental design for a netting product chute for automatic and/or manual packaging operations, as shown and described.

DESCRIPTION

FIG. 1 is a top perspective view of the netting product chute for automatic and/or manual packaging operations showing our design;

FIG. 2 is a side view thereof;

FIG. 3 is a top view thereof;

FIG. 4 is a bottom view thereof;

FIG. 5 is an ingress end view thereof;

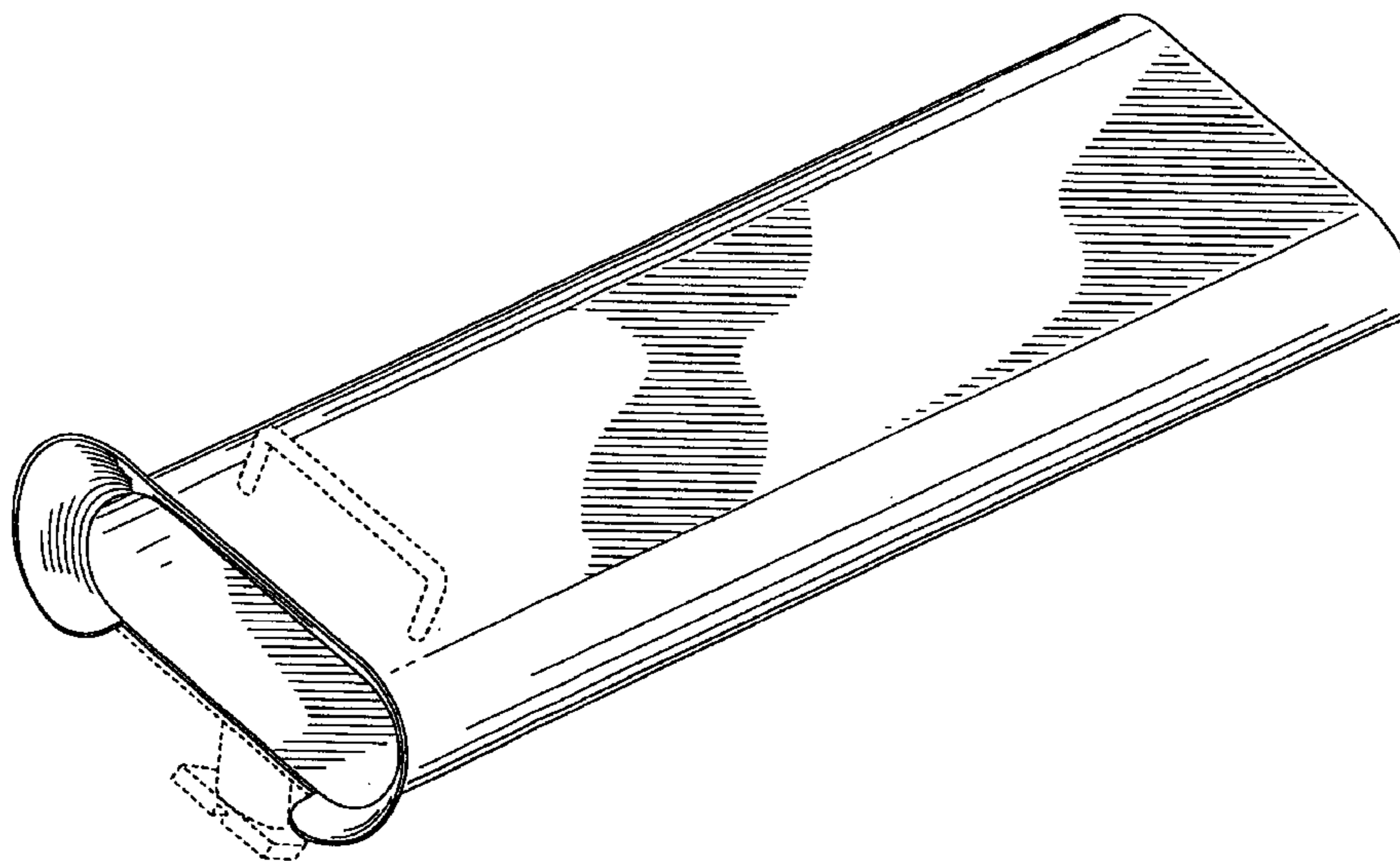
FIG. 6 is an opposing egress end view thereof;

FIG. 7 is side perspective view illustrating the netting product chute for automatic and/or manual packaging operations in an exemplary use environment with the netting product chute for automatic and/or manual packaging operations oriented substantially horizontally; and,

FIG. 8 is side perspective view illustrating the netting product chute for automatic and/or manual packaging operations in an exemplary use environment, with the netting product chute for automatic and/or manual packaging operations tilted at an angle to horizontal.

The opposing side view of the netting product chute for automatic and/or manual packaging operations is the same as that shown in FIG. 2. The broken lines shown herein are for illustrative purposes only and form no part of the claimed design. The illustrated device is not limited to the scale shown and the illustrated ham product and netting material shown in broken lines in FIGS. 7 and 8 are exemplary only, as the netting product chute for automatic and/or manual packaging operations is useful for packaging other food items as well as other net-enclosed industrial and commodity items and/or may be used with other netting types.

1 Claim, 8 Drawing Sheets



U.S. PATENT DOCUMENTS

3,587,204	A	*	6/1971	George	53/138.4
3,732,662	A	*	5/1973	Paxton	53/415
3,945,171	A		3/1976	Marietta et al.	53/576
D243,158	S	*	1/1977	Bolwell	D15/145
4,091,595	A	*	5/1978	Pelster et al.	53/417
4,247,005	A	*	1/1981	Buxton	53/138.4
4,537,006	A		8/1985	Pieri	53/134
4,590,748	A	*	5/1986	Harrison et al.	53/576
4,683,700	A		8/1987	Evans et al.	53/138.4
4,766,713	A		8/1988	Evans	53/138.2
5,016,424	A		5/1991	Stirling	53/459
5,042,234	A	*	8/1991	Evans et al.	53/523
5,044,144	A	*	9/1991	Foote et al.	29/806
5,161,347	A		11/1992	May et al.	53/138.2
5,402,625	A		4/1995	Halstead	53/570
5,495,701	A		3/1996	Poteat et al.	53/138.2
5,586,424	A		12/1996	Chen et al.	53/138.2
6,052,972	A		4/2000	Rea et al.	53/576

6,745,547	B1	*	6/2004	Bussey et al.	53/576
2003/0131564	A1		7/2003	Ailey et al.	53/413

OTHER PUBLICATIONS

Product Brochure, 1 sheet, "Tipper Clipper®signature Series SZ3214 Double Clipper for Netting," © 2002.
 Product Brochure, 2 sheets, "Tipper Net Z3200 Double Clipper and Plant Netting System," © 2000.
 Product Brochure, 1 sheet, "Tipper Tie-Net, Safely and quickly package plugs before shipping." © 1999.
 Product Brochure, 1 sheet, "Tipper Netter TN-3000 Automatic Netting-Packaging Machine," © 2002.
 Product Brochure, 4 sheets, "Net-All® Netting Is The answer To All Your Horticultural Applications," © 2001.
 Product Brochure, 2 sheets, "Net-All Sleeved Plastic Netting System," © 2000.

* cited by examiner

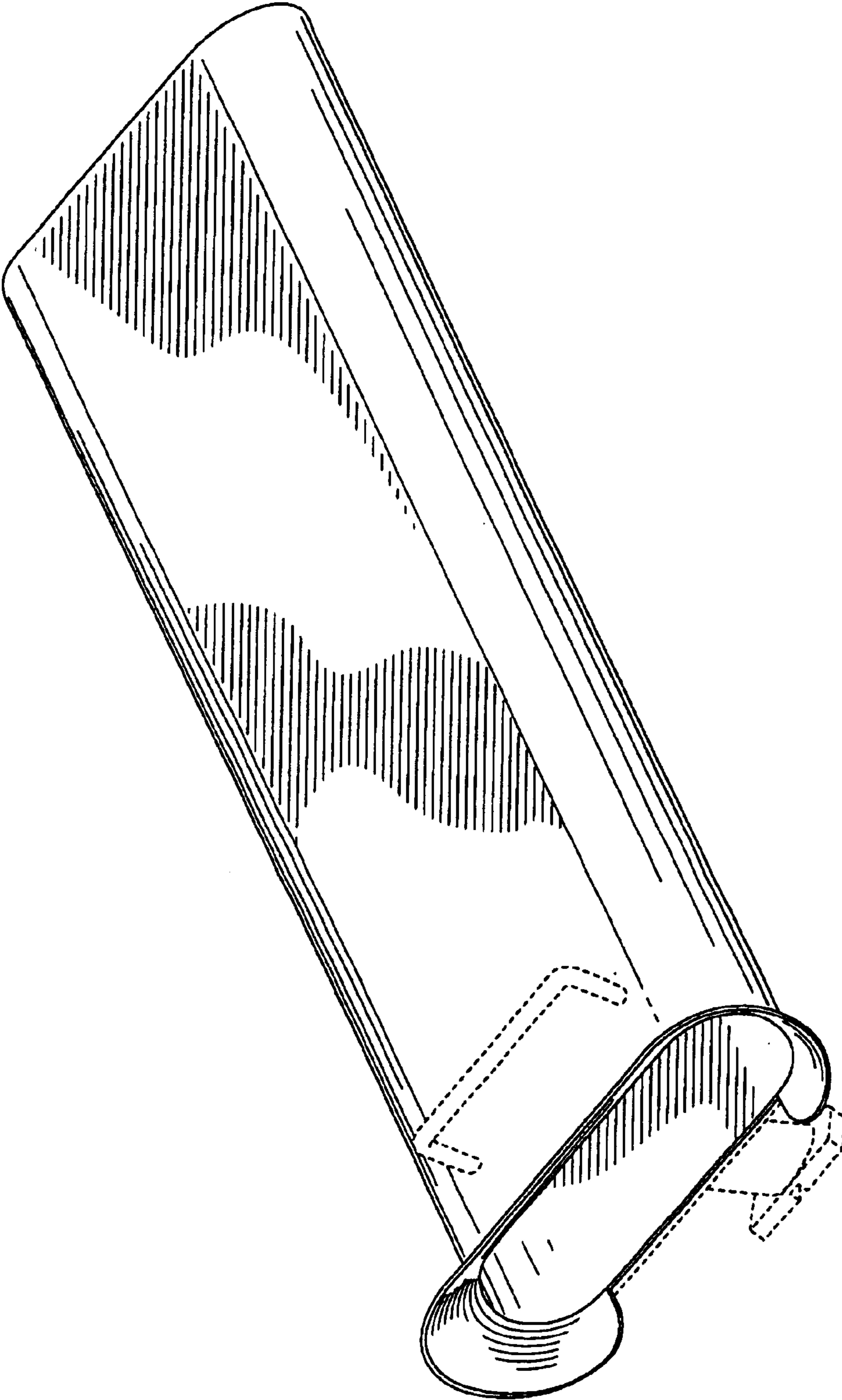


FIG. 1

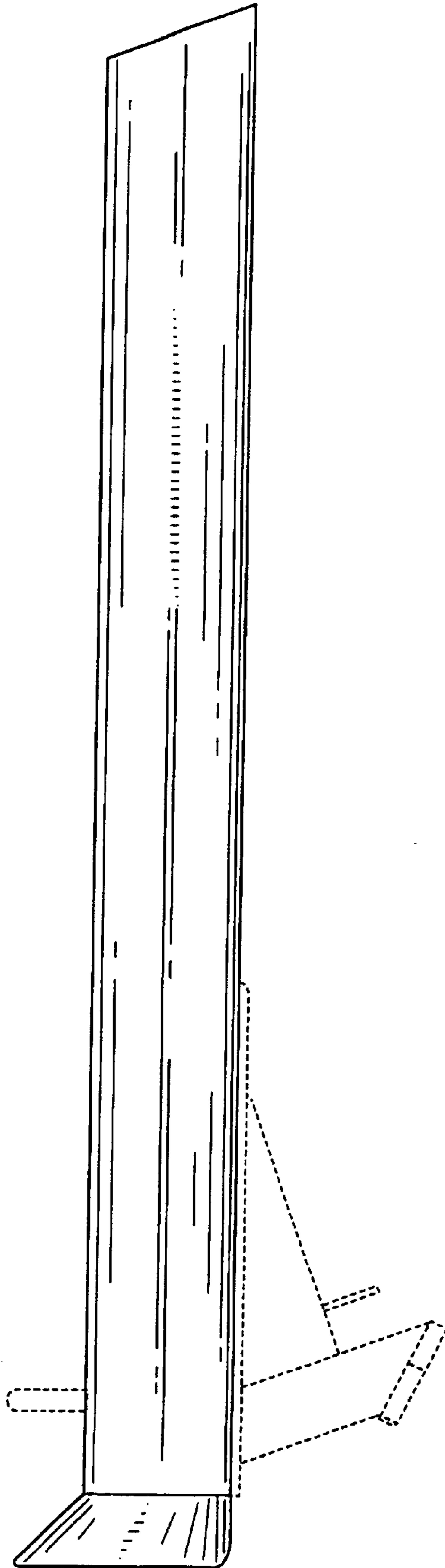


FIG. 2

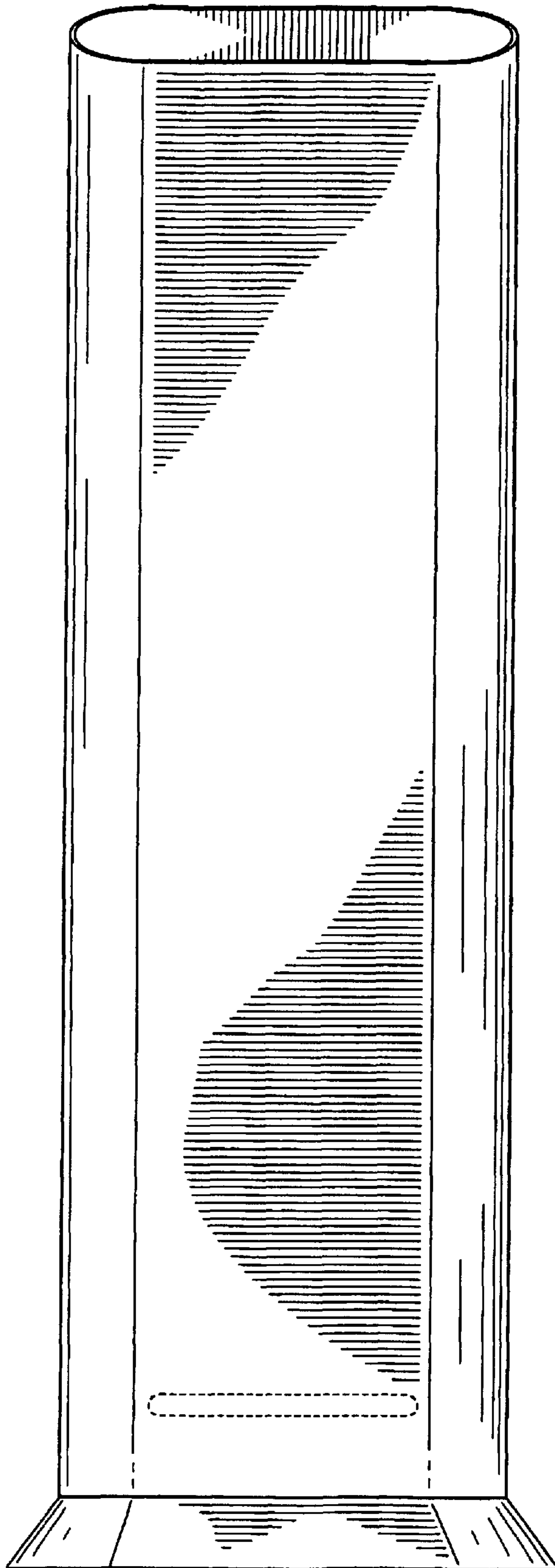


FIG. 3

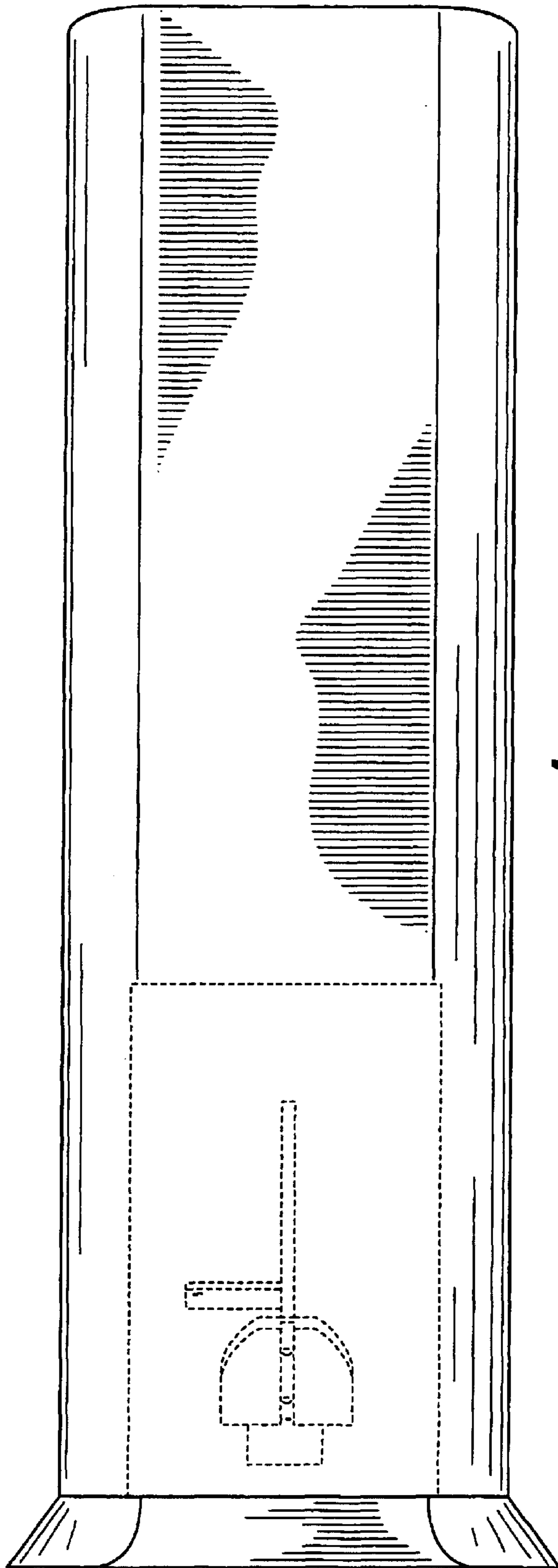


FIG. 4

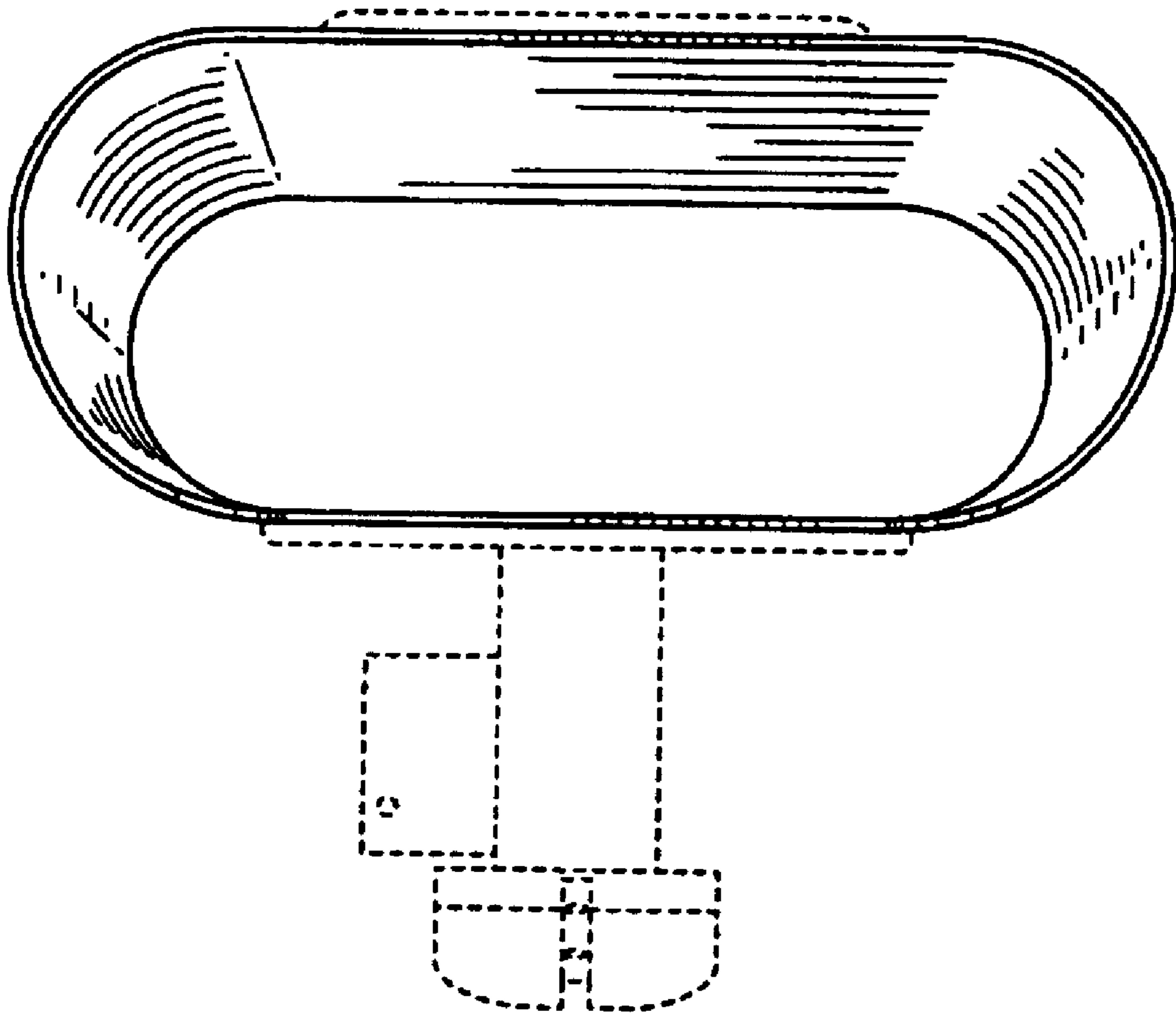


FIG. 5

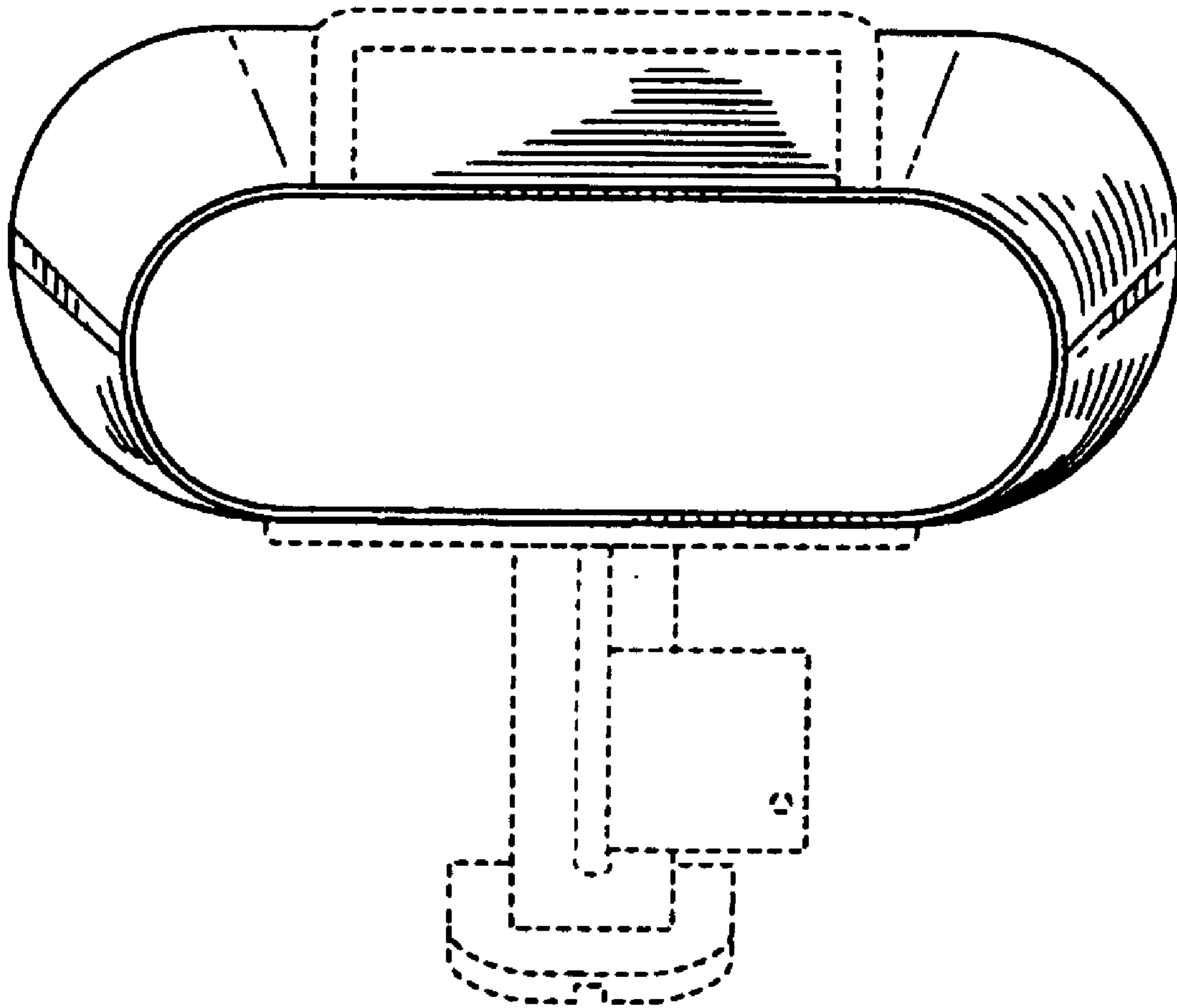


FIG. 6

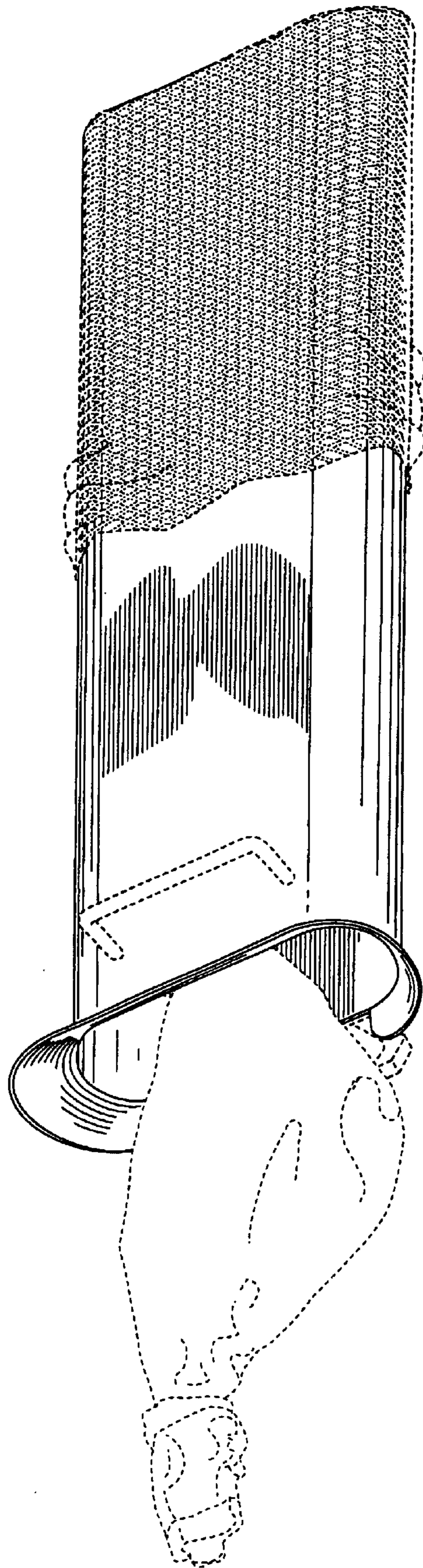


FIG. 7

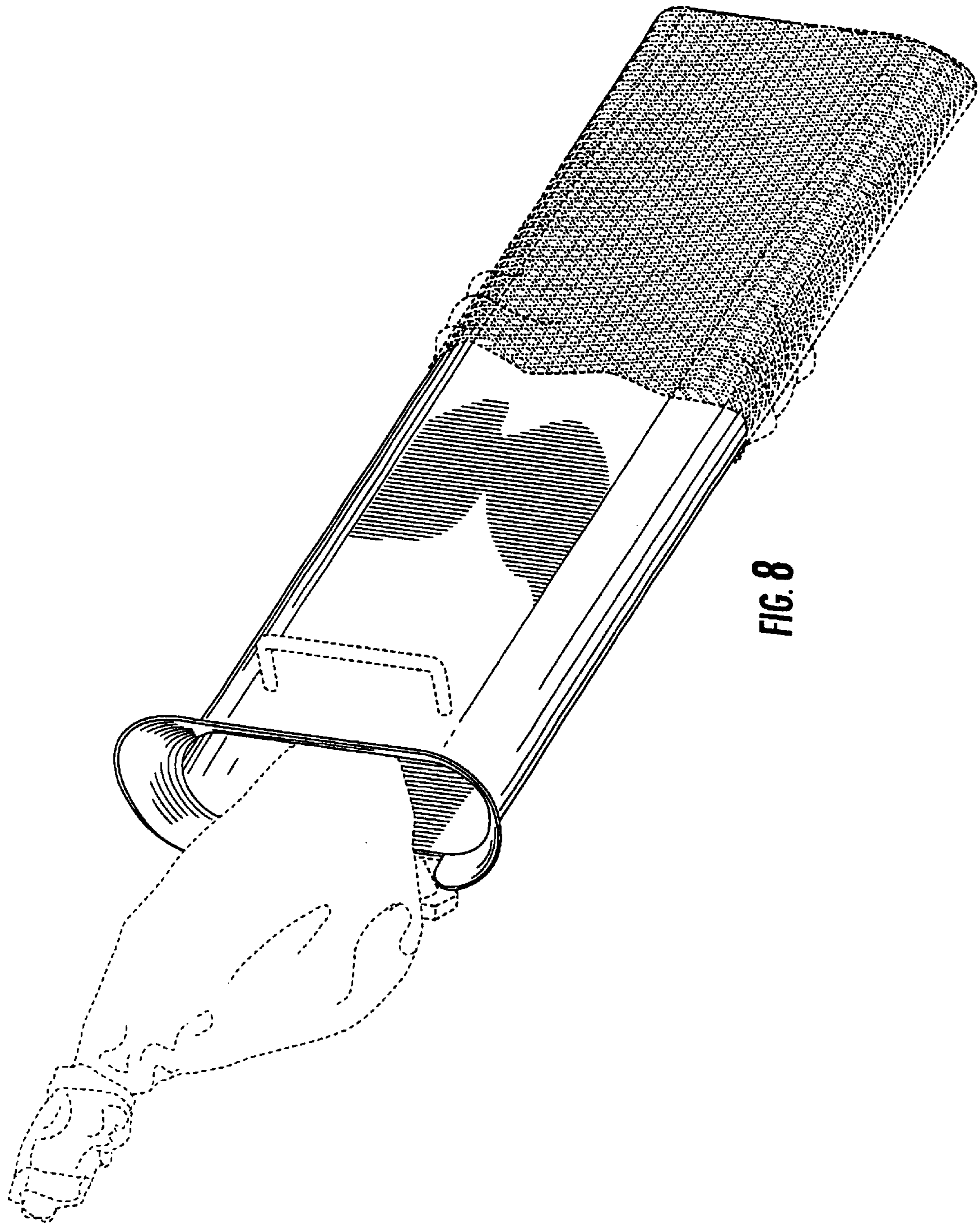


FIG. 8