



US00D534934S

(12) **United States Design Patent**  
**Bernhardt**

(10) **Patent No.:** **US D534,934 S**  
(45) **Date of Patent:** **\*\* Jan. 9, 2007**

(54) **CLAMP BOSS FOR USE WITH A TABLE TOP WORK STOP ASSEMBLY**

D294,588 S 3/1988 Smith et al.  
D302,277 S \* 7/1989 Bishop ..... D15/140  
D336,481 S 6/1993 Silvia  
5,816,568 A 10/1998 Fox  
5,845,555 A 12/1998 Dawley

(75) Inventor: **Randy J. Bernhardt**, Dousman, WI (US)

(73) Assignee: **Urban Manufacturing, Inc.**, Pewaukee, WI (US)

(\*\*) Term: **14 Years**

(21) Appl. No.: **29/215,916**

(22) Filed: **Oct. 26, 2004**

(51) **LOC (8) Cl.** ..... **15-09**

(52) **U.S. Cl.** ..... **D15/140**

(58) **Field of Classification Search** ..... D15/140;  
83/438, 467.1, 468, 468.6, 468.7, 522.19,  
83/522.24, 522.25; 144/286 A, 286 R; 219/85 D,  
219/158; 228/44.7, 51, 55, 212, 218, 242;  
269/21, 303, 304, 315; 279/3, 4, 46; 409/218  
See application file for complete search history.

(56) **References Cited**

**U.S. PATENT DOCUMENTS**

1,071,289 A 8/1913 Bader  
2,450,931 A 10/1948 Bault  
2,788,686 A 4/1957 Holt  
2,849,240 A 8/1958 Sorensen  
2,913,019 A \* 11/1959 Sprague ..... D15/140  
3,115,799 A 12/1963 Nitz  
3,157,078 A 11/1964 Powers  
D206,553 S 12/1966 Papp  
D231,663 S \* 5/1974 Pingel ..... D15/140  
3,827,686 A 8/1974 Storkh  
D232,760 S 9/1974 Lanese  
D232,761 S \* 9/1974 Lanese ..... D15/140  
D235,475 S \* 6/1975 Waldman ..... D15/140  
D239,131 S \* 3/1976 Adler ..... D15/140  
3,967,816 A 7/1976 Ramsperger et al.  
4,030,718 A 6/1977 Philipoff  
D269,518 S 6/1983 Karlan  
D271,772 S \* 12/1983 Grohowski et al. .... D15/140  
D294,587 S 3/1988 Smith et al.

**FOREIGN PATENT DOCUMENTS**

DE 43 21 387 1/1994

**OTHER PUBLICATIONS**

MSC Industrial Supply Co. catalog, 2004/2005, p. 1641.

\* cited by examiner

*Primary Examiner*—Antoine D. Davis

*Assistant Examiner*—Patricia Palasik

(74) *Attorney, Agent, or Firm*—Ryan Kromholz & Manion, S.C.

(57) **CLAIM**

The ornamental design for a clamp boss for use with a table top work stop assembly, as shown and described.

**DESCRIPTION**

FIG. 1 is an elevated perspective view of a clamp boss for use with a table top work stop assembly according to the present invention.

FIG. 2 is a rear elevational view of the jaw boss of FIG. 1. FIG. 3 is a rear elevation view of the clamp boss for use with a table top work stop assembly of FIG. 1.

FIG. 4 is a left side view of the clamp boss for use with a table top work stop assembly of FIG. 1.

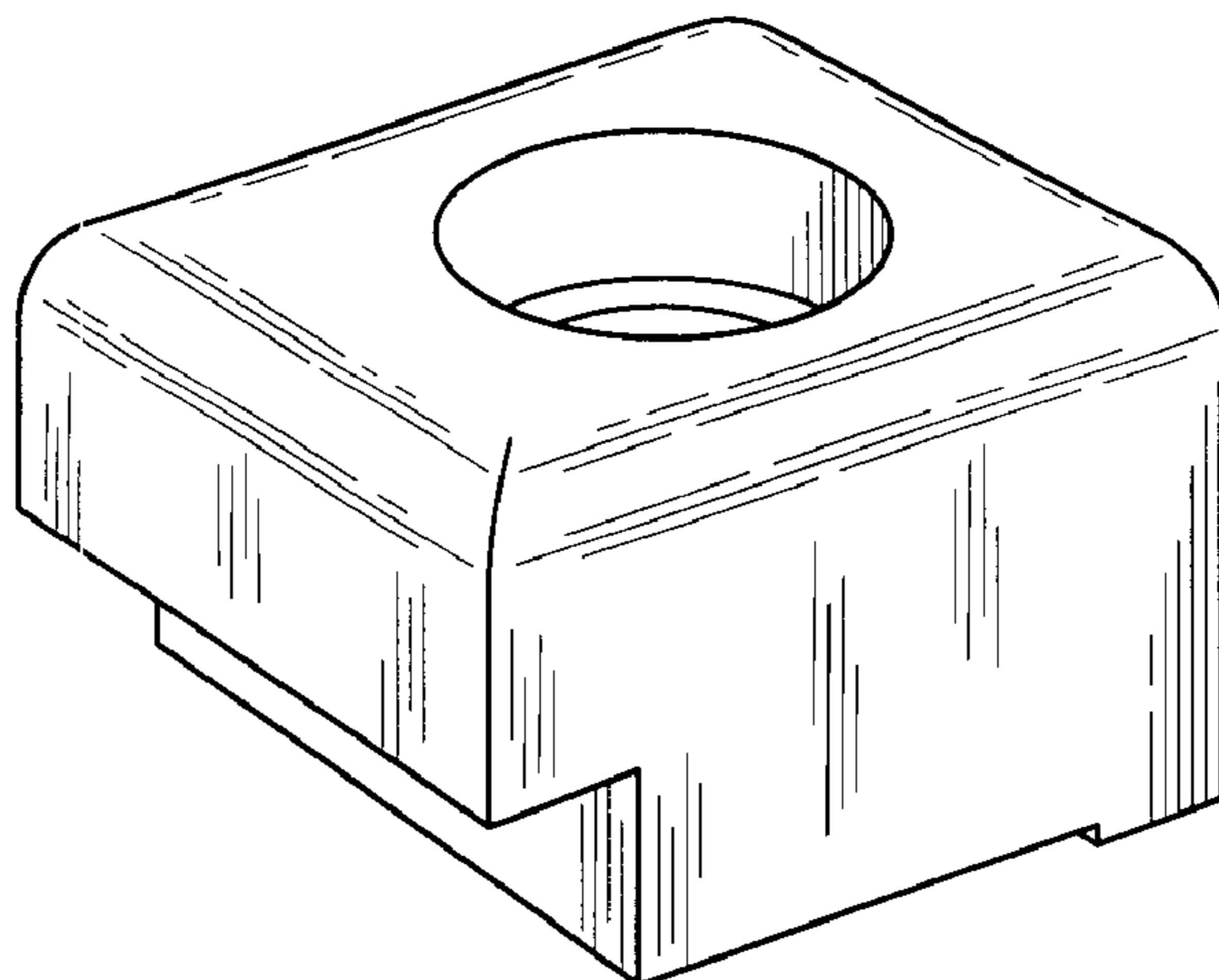
FIG. 5 is a right side view of the clamp boss for use with a table top work stop assembly of FIG. 1.

FIG. 6 is a top plan view of the clamp boss for use with a table top work stop assembly of FIG. 1; and,

FIG. 7 is a bottom plan view of the clamp boss for use with a table top work stop assembly of FIG. 1.

The broken lines in FIGS. 1–7 are illustrative of environmental structure only and form no part of the claimed design.

**1 Claim, 1 Drawing Sheet**



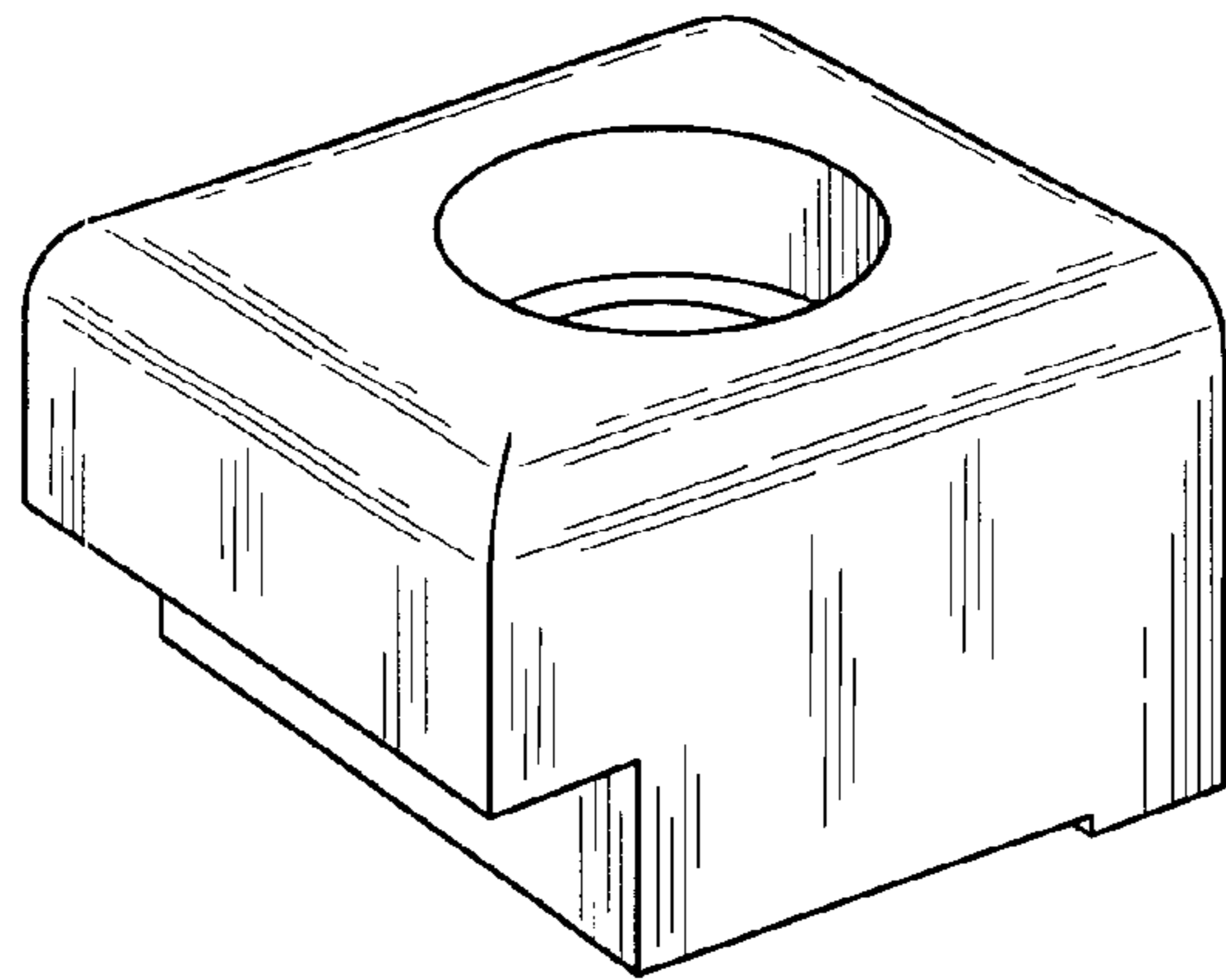


Fig. 1

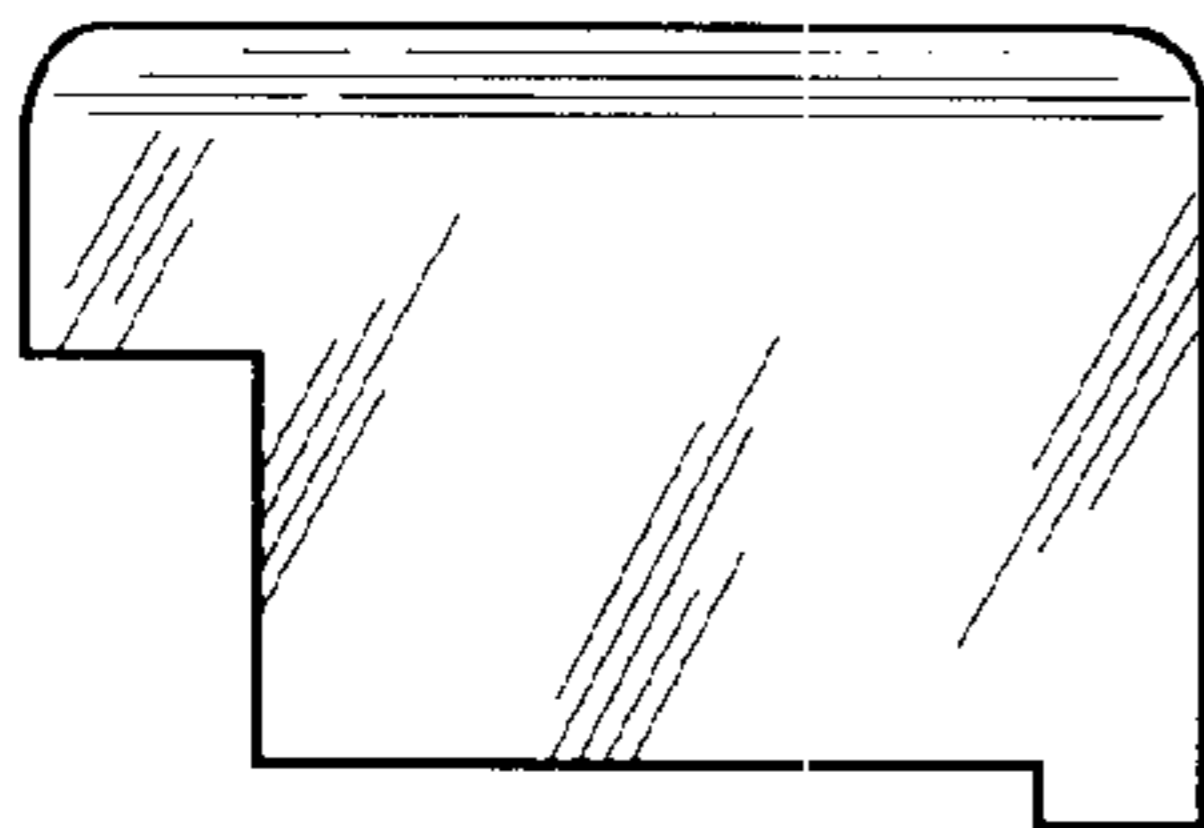


Fig. 2

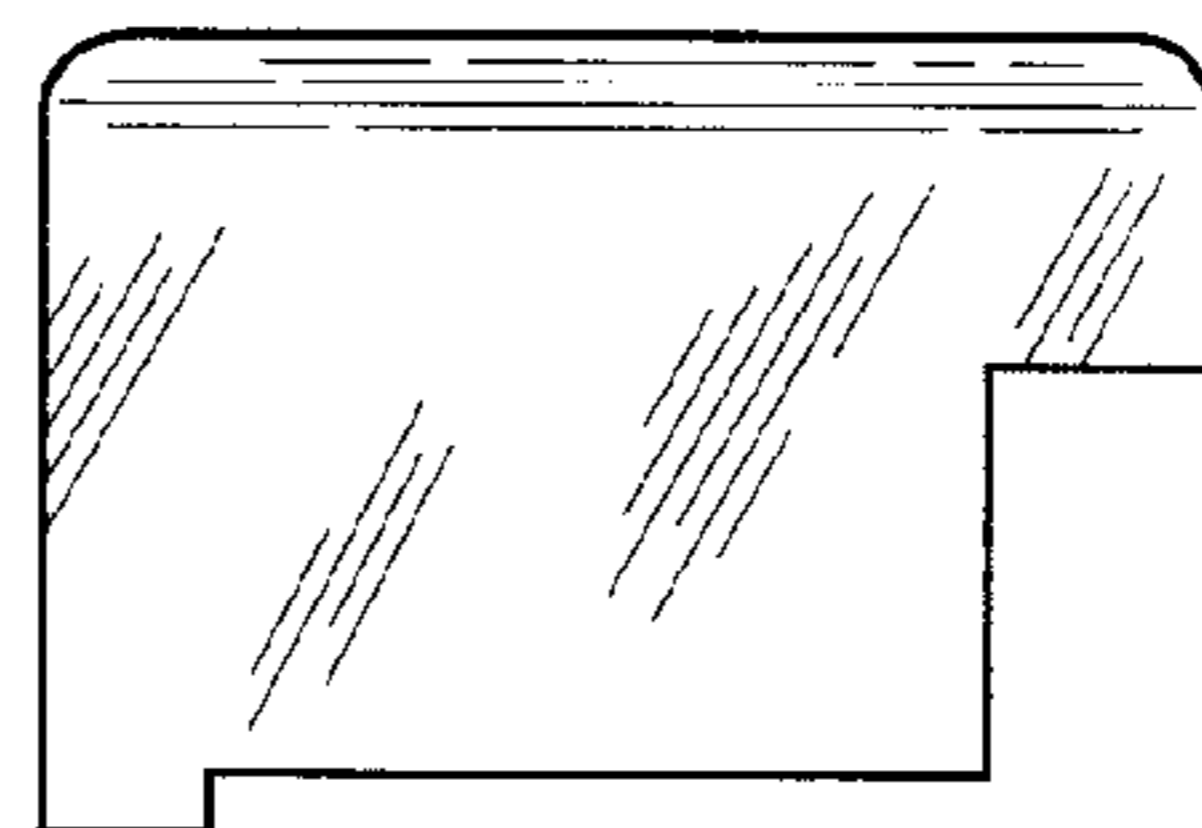


Fig. 3

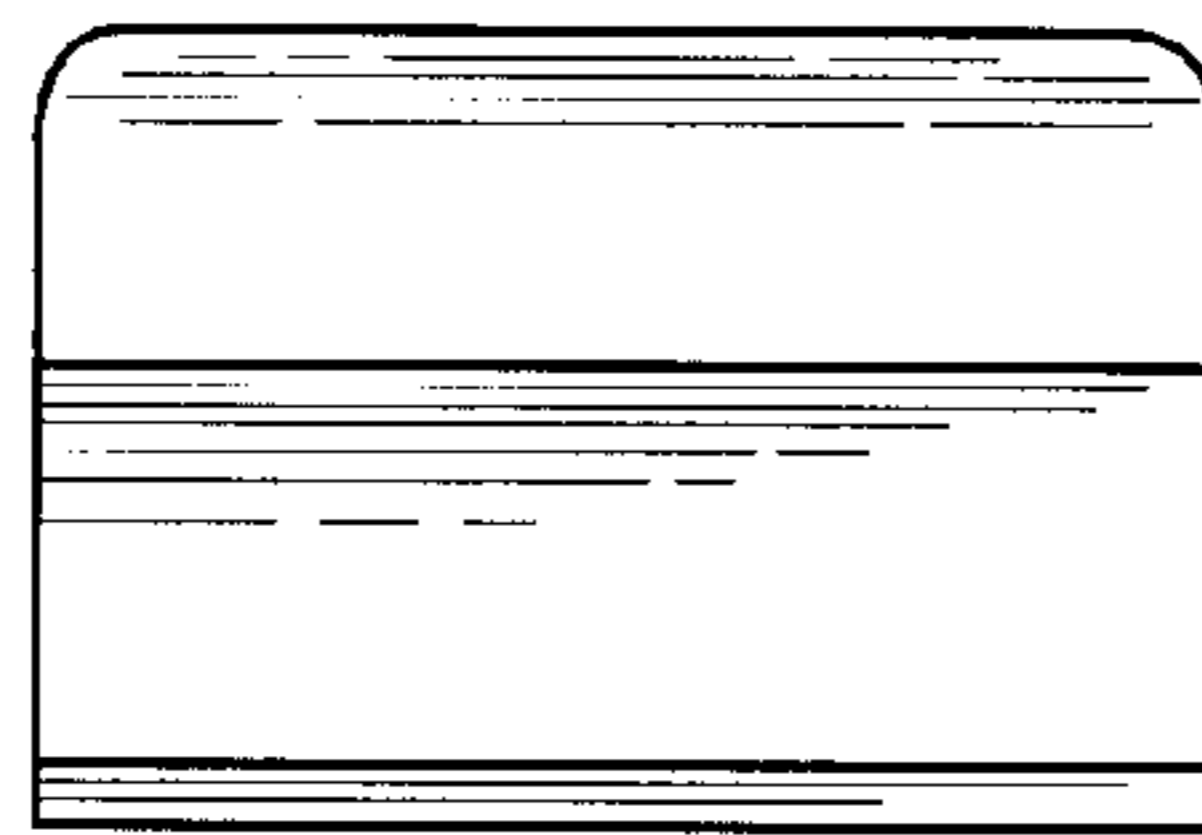


Fig. 4

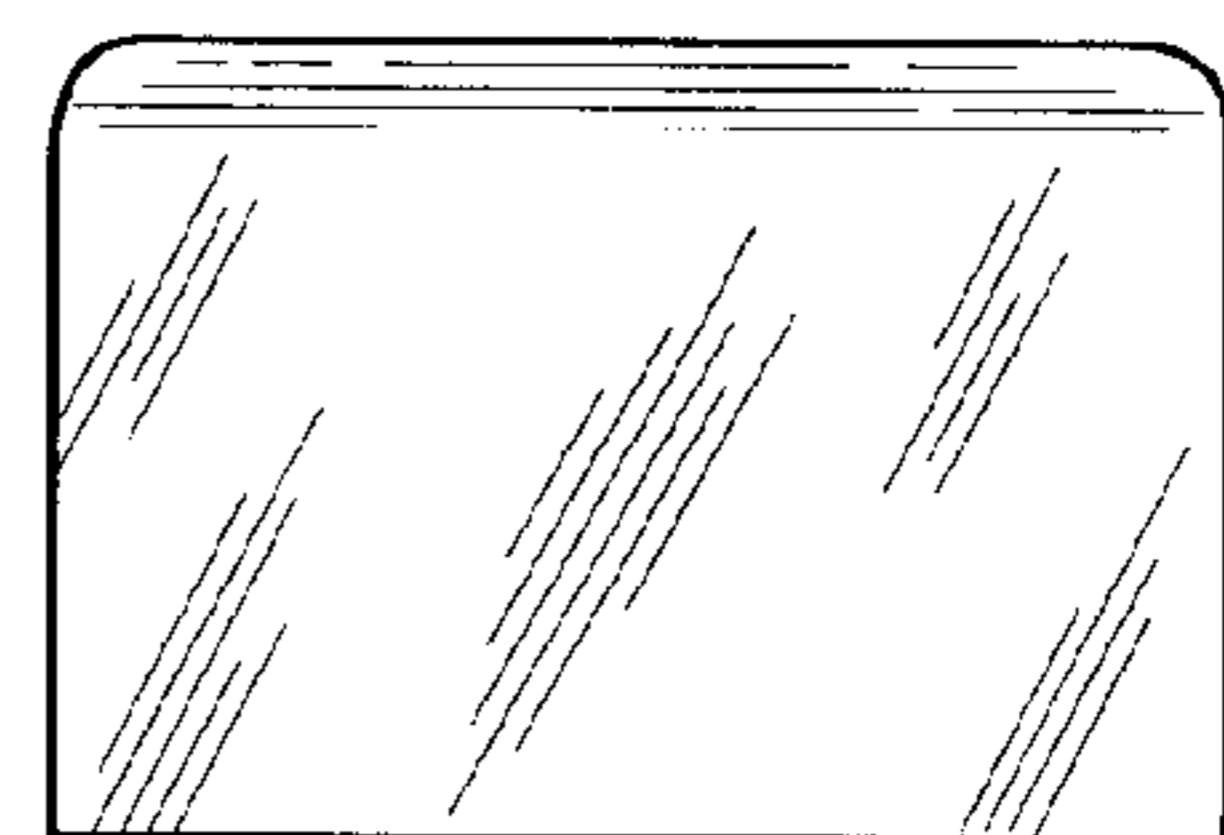


Fig. 5

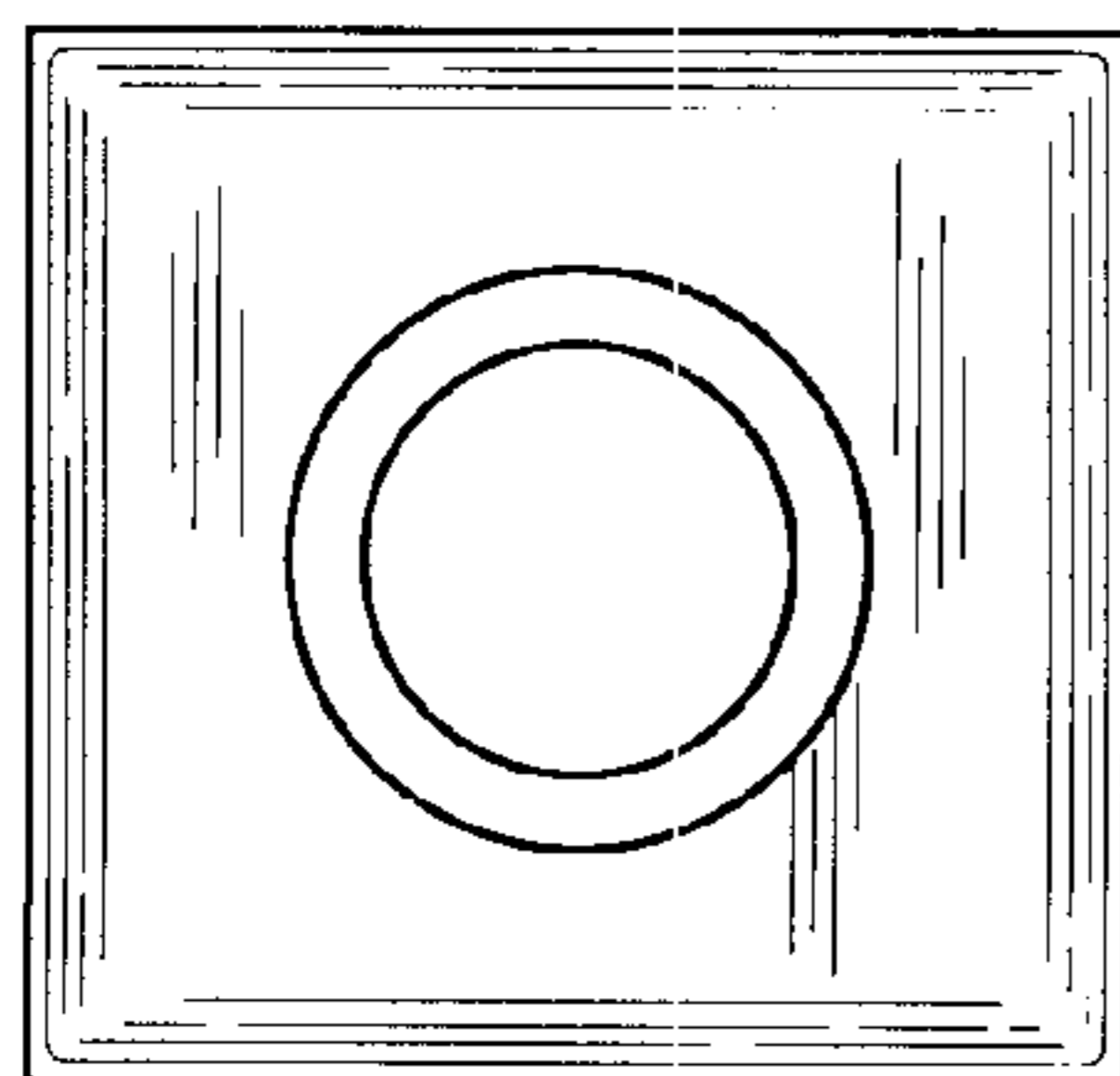


Fig. 6

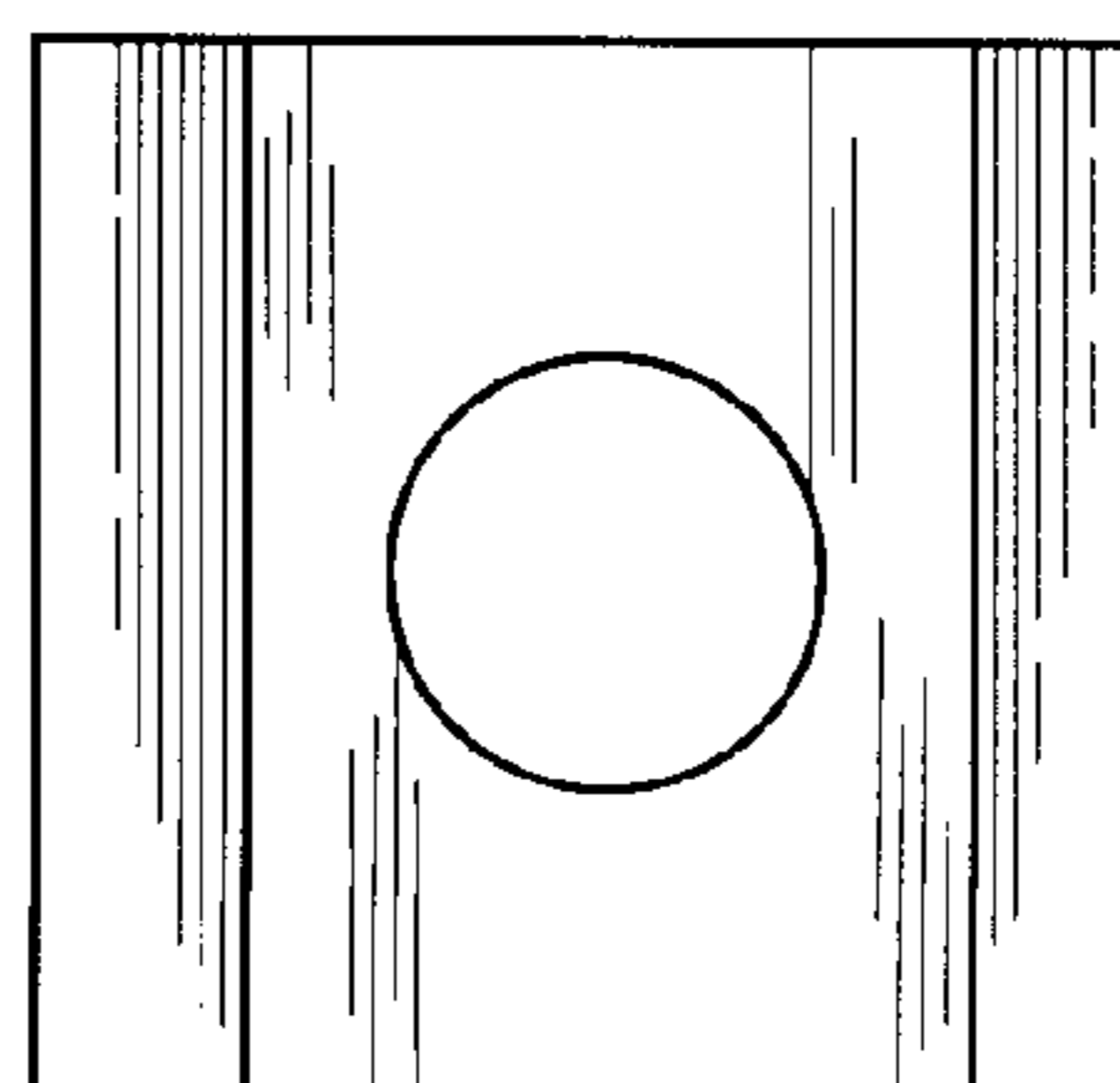


Fig. 7