



US00D534931S

(12) **United States Design Patent**
Kirkland

(10) **Patent No.:** **US D534,931 S**

(45) **Date of Patent:** **** Jan. 9, 2007**

(54) **BEVERAGE TEMPERATURE CONTROLLER FOR AUTOMOBILES**

(76) Inventor: **Andre Kirkland**, 4917 Shirley Pl., Cincinnati, OH (US) 45238

(**) Term: **14 Years**

(21) Appl. No.: **29/237,438**

(22) Filed: **Sep. 1, 2005**

(51) **LOC (8) Cl.** **15-07**

(52) **U.S. Cl.** **D15/79**

(58) **Field of Classification Search** D15/79, D15/89, 90; D3/201, 202; D7/300, 305, 306, D7/601, 602, 701; 62/239, 440, 457.1, 457.4, 62/531; D12/411, 414
See application file for complete search history.

(56) **References Cited**

U.S. PATENT DOCUMENTS

D203,565 S	*	1/1966	Hack	D15/79
D258,822 S	*	4/1981	Wallgren	D15/89
D280,293 S	*	8/1985	D'Amour et al.	D15/79
5,720,171 A		2/1998	Osterhoff		
D408,423 S	*	4/1999	Fløysvik	D15/79

6,082,114 A	7/2000	Leonoff
6,140,614 A	10/2000	Padamsee
D442,443 S	5/2001	Perndocaj
6,422,300 B1	7/2002	Wylin
6,449,958 B1	9/2002	Foye
6,571,564 B1	6/2003	Upadhye

* cited by examiner

Primary Examiner—Mitchell Siegel
Assistant Examiner—Shanda C. Hill

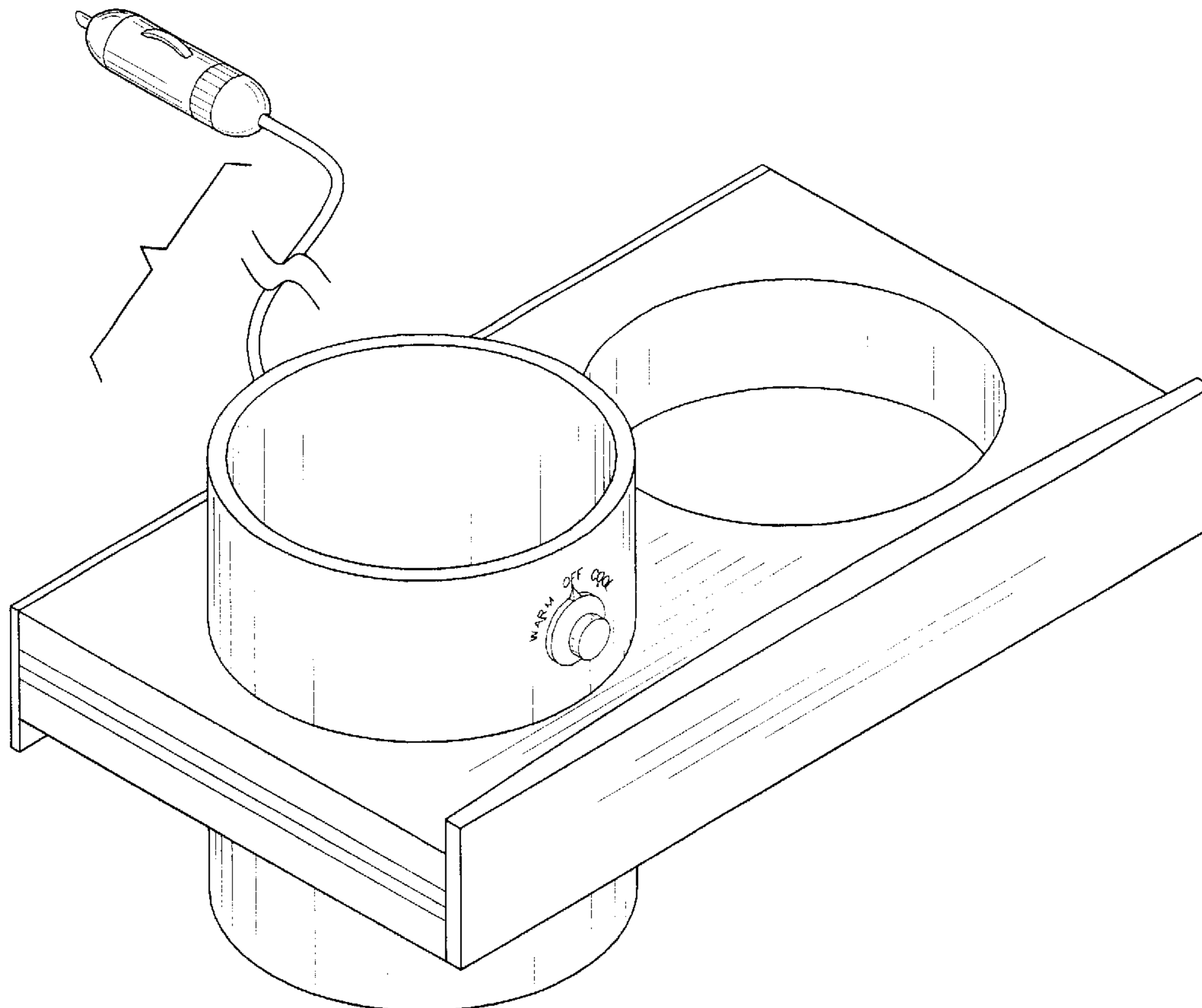
(57) **CLAIM**

The ornamental design for a beverage temperature controller for automobiles, as shown and described.

DESCRIPTION

A visually appealing cup holder with an inconspicuous warming and cooling ornamental design.
FIG. 1 is a front view of a beverage temperature controller for automobiles showing my new design;
FIG. 2 is a back view thereof;
FIG. 3 is a side view thereof;
FIG. 4 is a top view thereof;
FIG. 5 is a bottom view thereof; and,
FIG. 6 is an isometric perspective view thereof.

1 Claim, 3 Drawing Sheets



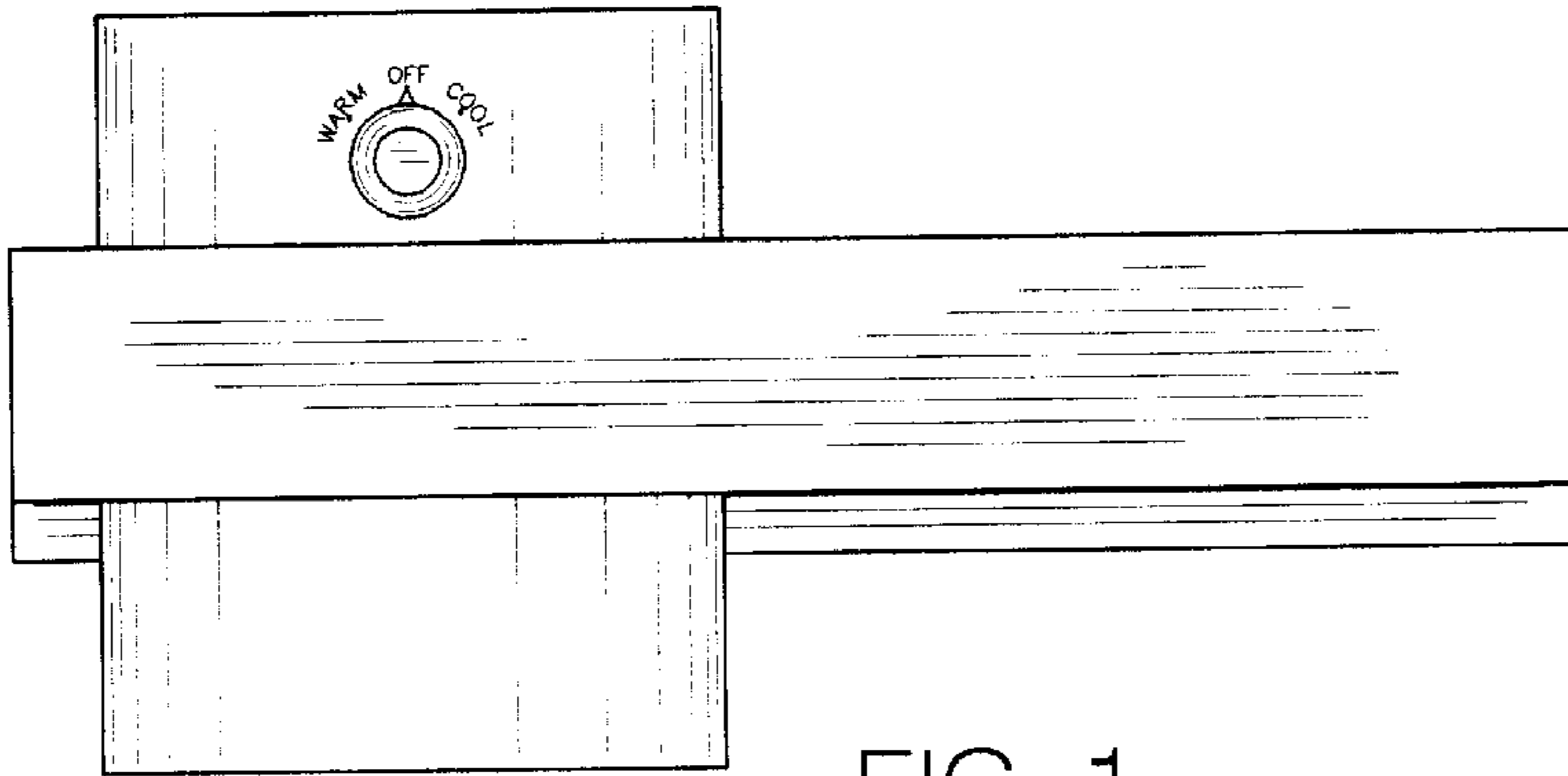


FIG. 1

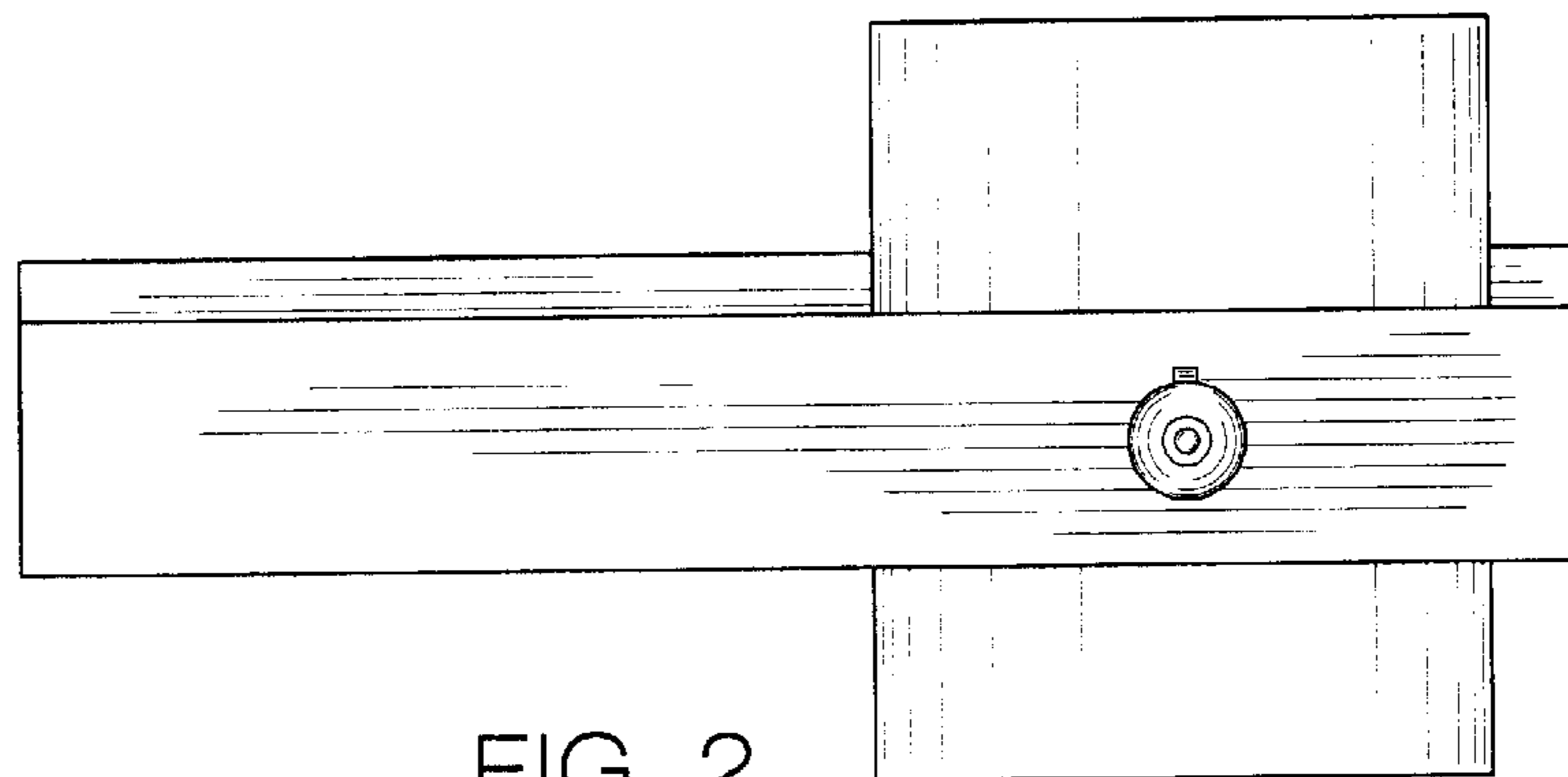


FIG. 2

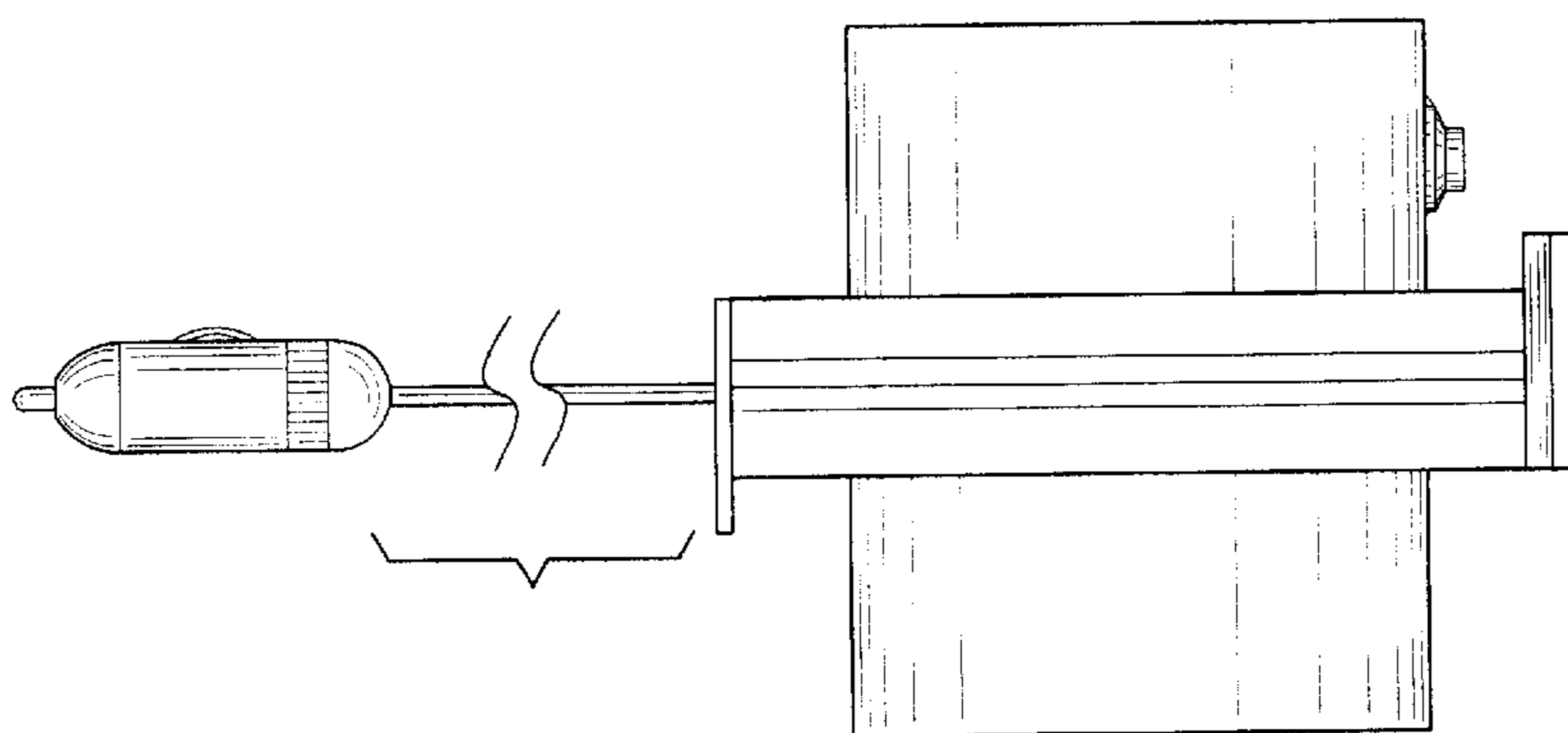


FIG. 3

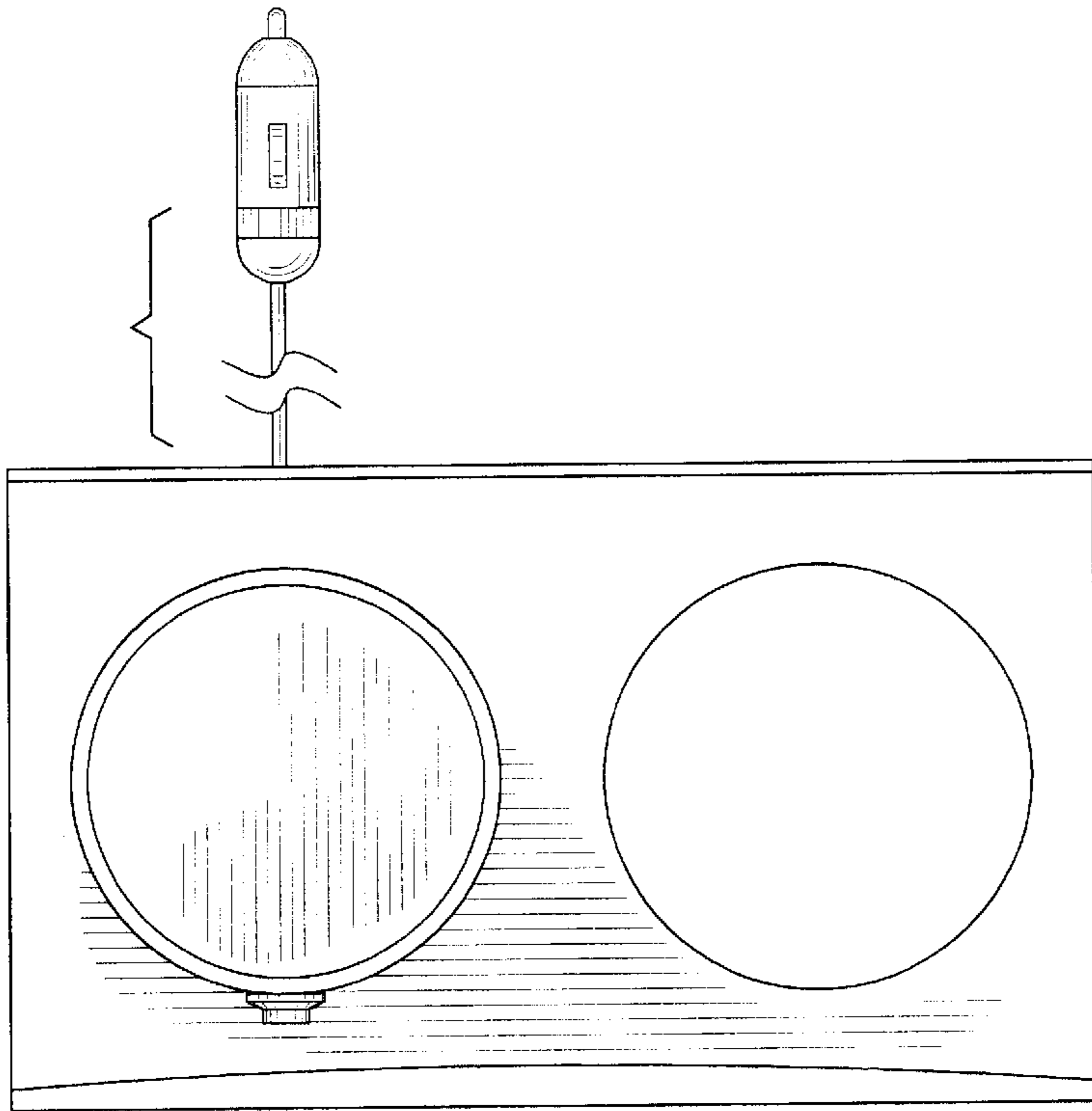
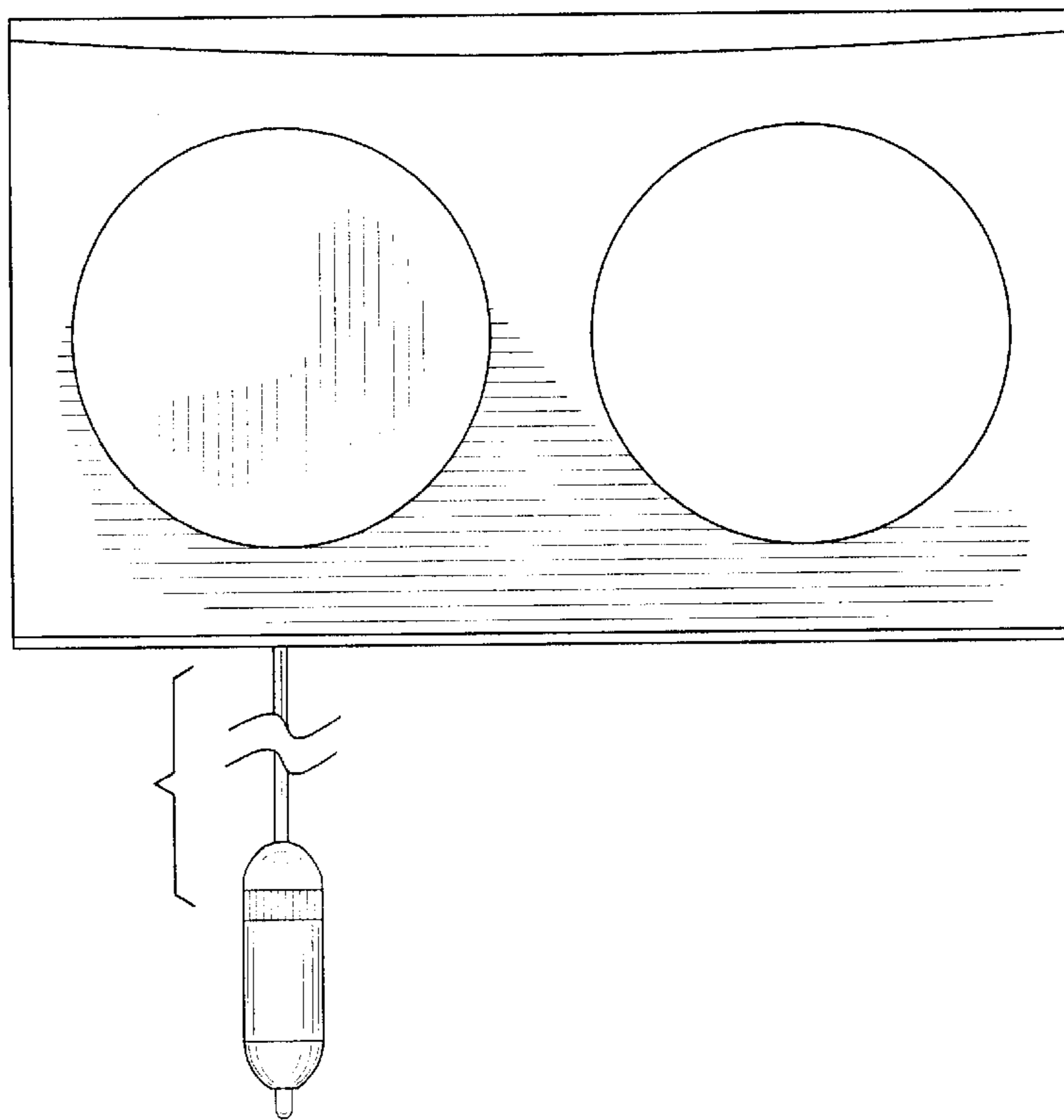


FIG. 4

FIG. 5



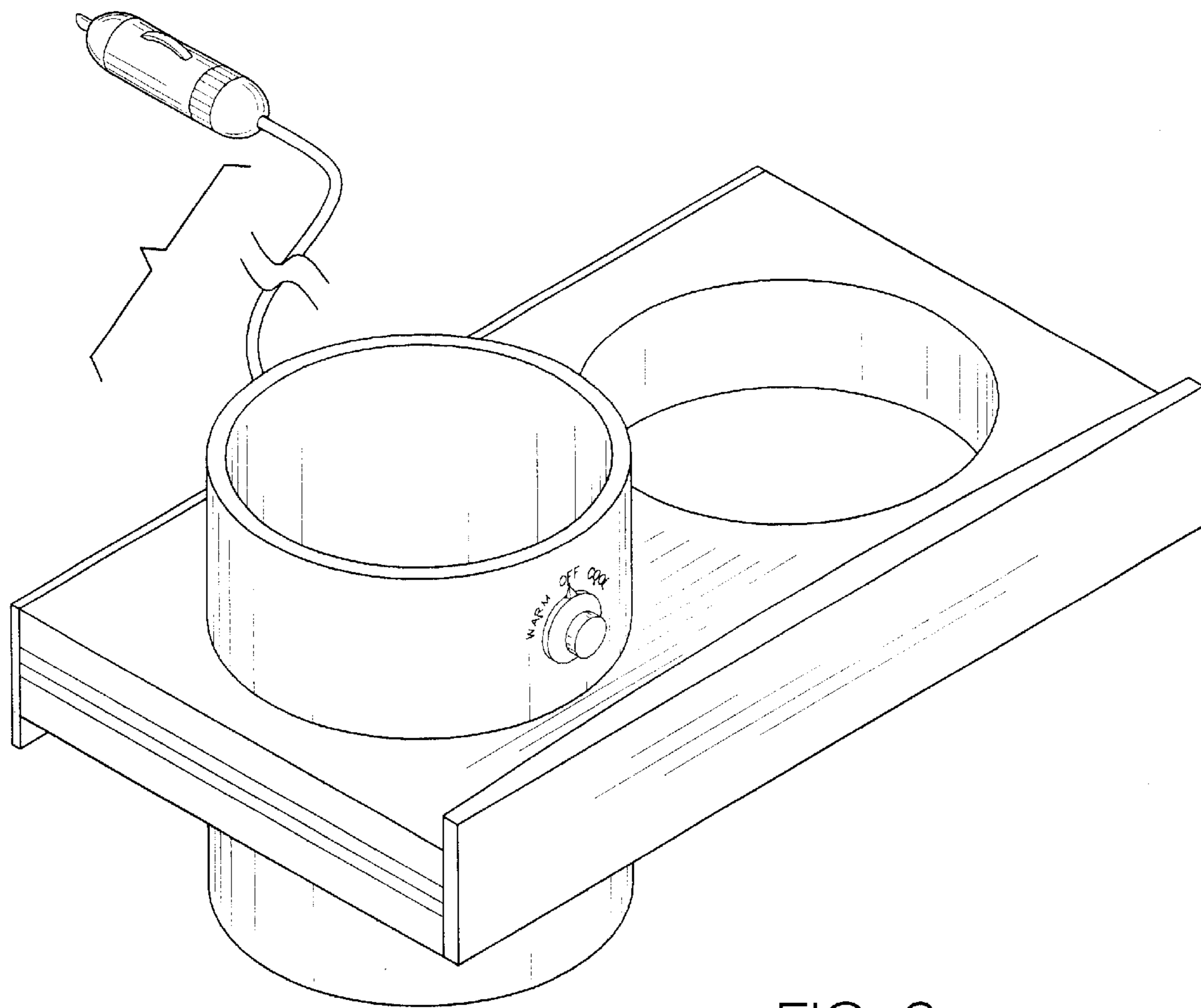


FIG. 6