



US00D534930S

(12) **United States Design Patent**
Hosoi et al.

(10) **Patent No.:** **US D534,930 S**

(45) **Date of Patent:** **** Jan. 9, 2007**

(54) **SEWING MACHINE**

(75) Inventors: **Hiroyasu Hosoi**, Kariya (JP); **Yasushi Hirose**, Nagoya (JP); **Masayuki Katsuyama**, Toyota (JP)

(73) Assignee: **Aisin Seiki Kabushiki Kaisha**, Kariya (JP)

(**) Term: **14 Years**

(21) Appl. No.: **29/259,482**

(22) Filed: **May 10, 2006**

Related U.S. Application Data

(62) Division of application No. 29/242,570, filed on Nov. 14, 2005.

(51) **LOC (8) Cl.** **15-06**

(52) **U.S. Cl.** **D15/69**

(58) **Field of Classification Search** D15/66-70;
112/2, 63, 78, 154, 163, 217.1, 217.2, 217.3,
112/217.4, 258-261, 444

See application file for complete search history.

(56) **References Cited**

U.S. PATENT DOCUMENTS

- D403,333 S 12/1998 Takada et al.
- D430,886 S 9/2000 Yamamoto
- D450,332 S 11/2001 Kuroki et al.
- D450,720 S 11/2001 Kuroki
- D459,369 S 6/2002 Yamamoto et al.

- D459,737 S * 7/2002 Kuroki D15/69
- D460,765 S * 7/2002 Kuroki D15/69
- D472,562 S 4/2003 Yamamoto et al.
- D474,482 S 5/2003 Melzer-Müller
- D483,774 S * 12/2003 Kuroki D15/69
- D492,704 S 7/2004 Kuroki
- D515,107 S * 2/2006 Kawaguchi D15/69

* cited by examiner

Primary Examiner—Mitchell Siegel

Assistant Examiner—Shanda C. Hill

(74) *Attorney, Agent, or Firm*—Buchanan Ingersoll & Rooney PC

(57) **CLAIM**

The ornamental design for a sewing machine, as shown and described.

DESCRIPTION

FIG. 1 is a perspective view of a sewing machine showing our new design;
 FIG. 2 is a front elevational view thereof;
 FIG. 3 is a rear elevational view thereof;
 FIG. 4 is a top plan view thereof;
 FIG. 5 is a bottom plan view thereof;
 FIG. 6 is a right side elevational view thereof;
 FIG. 7 is a left side elevational view thereof;
 FIG. 8 is a perspective view thereof, shown with the lid open;
 FIG. 9 is a front elevational view of FIG. 8; and,
 FIG. 10 is a top plan view of FIG. 8.

1 Claim, 6 Drawing Sheets

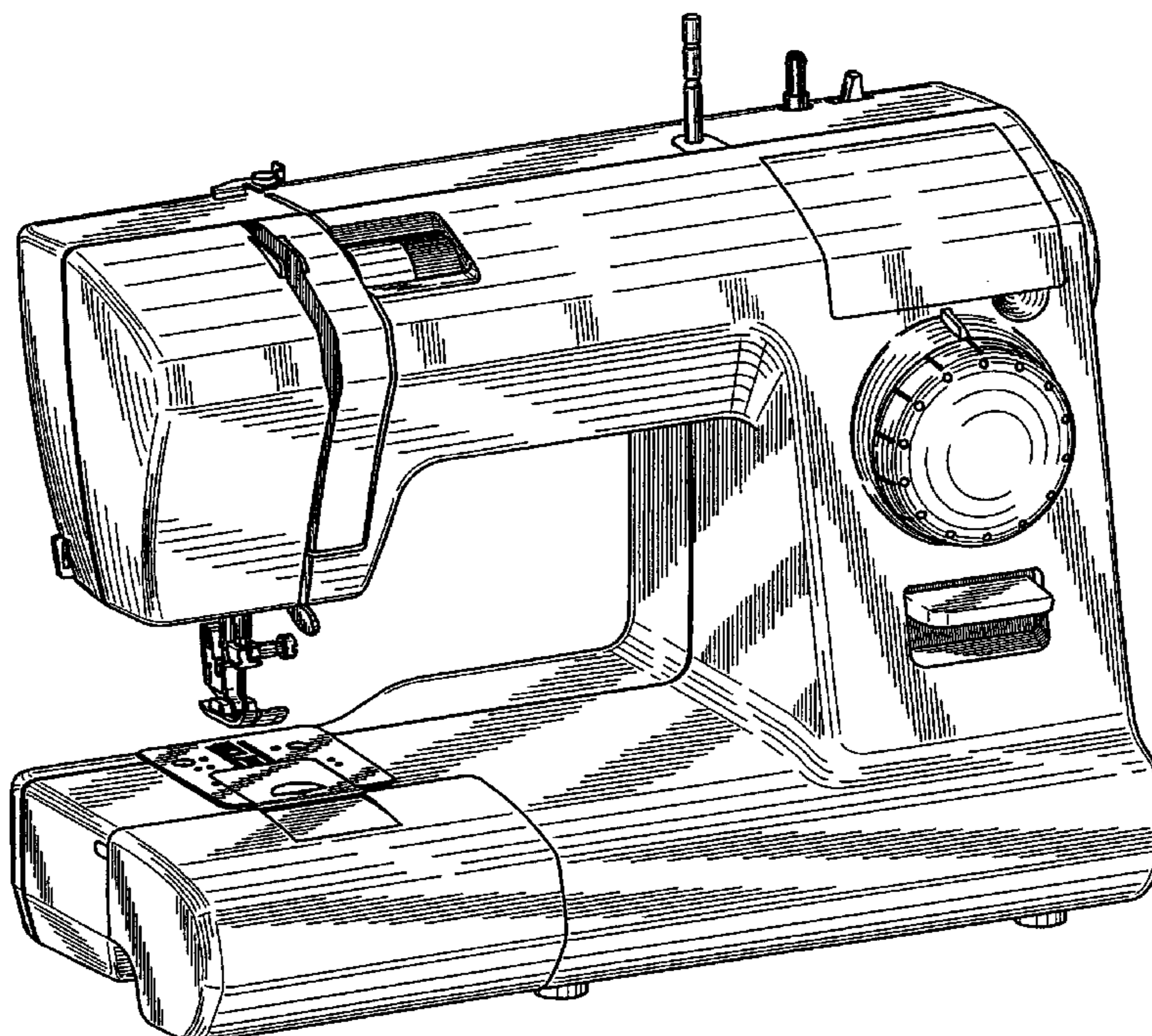


FIG. 1

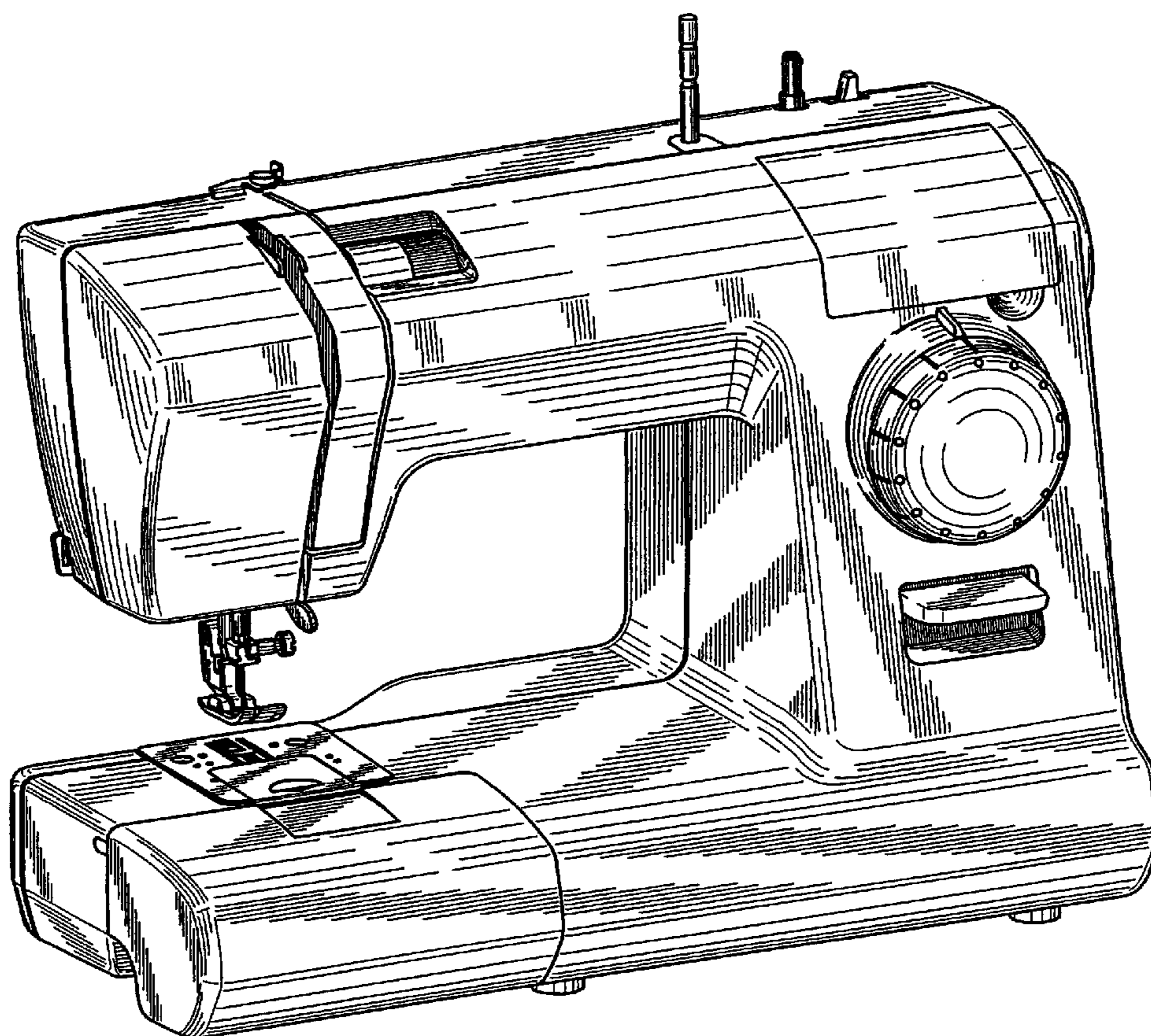


FIG. 2

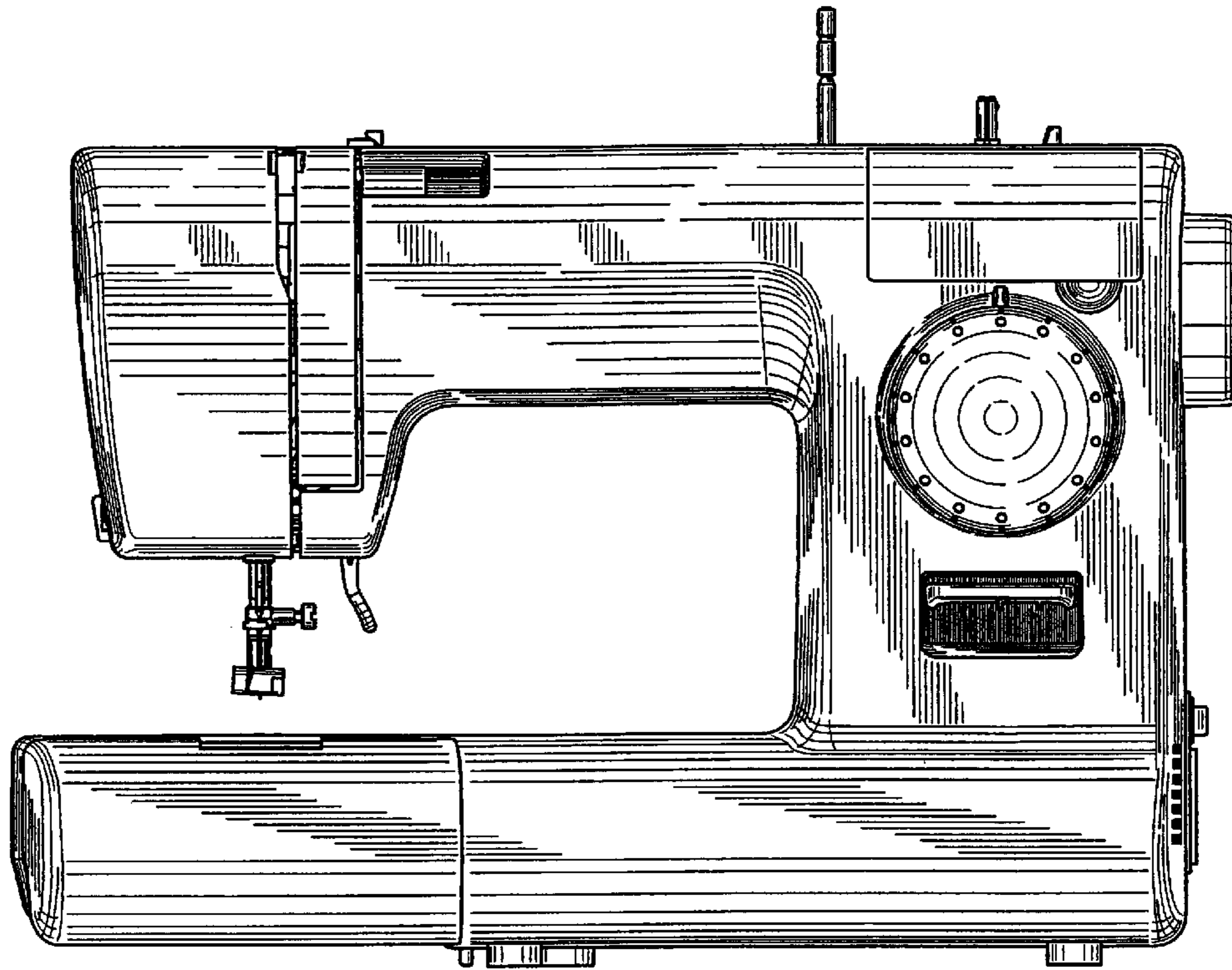


FIG. 3

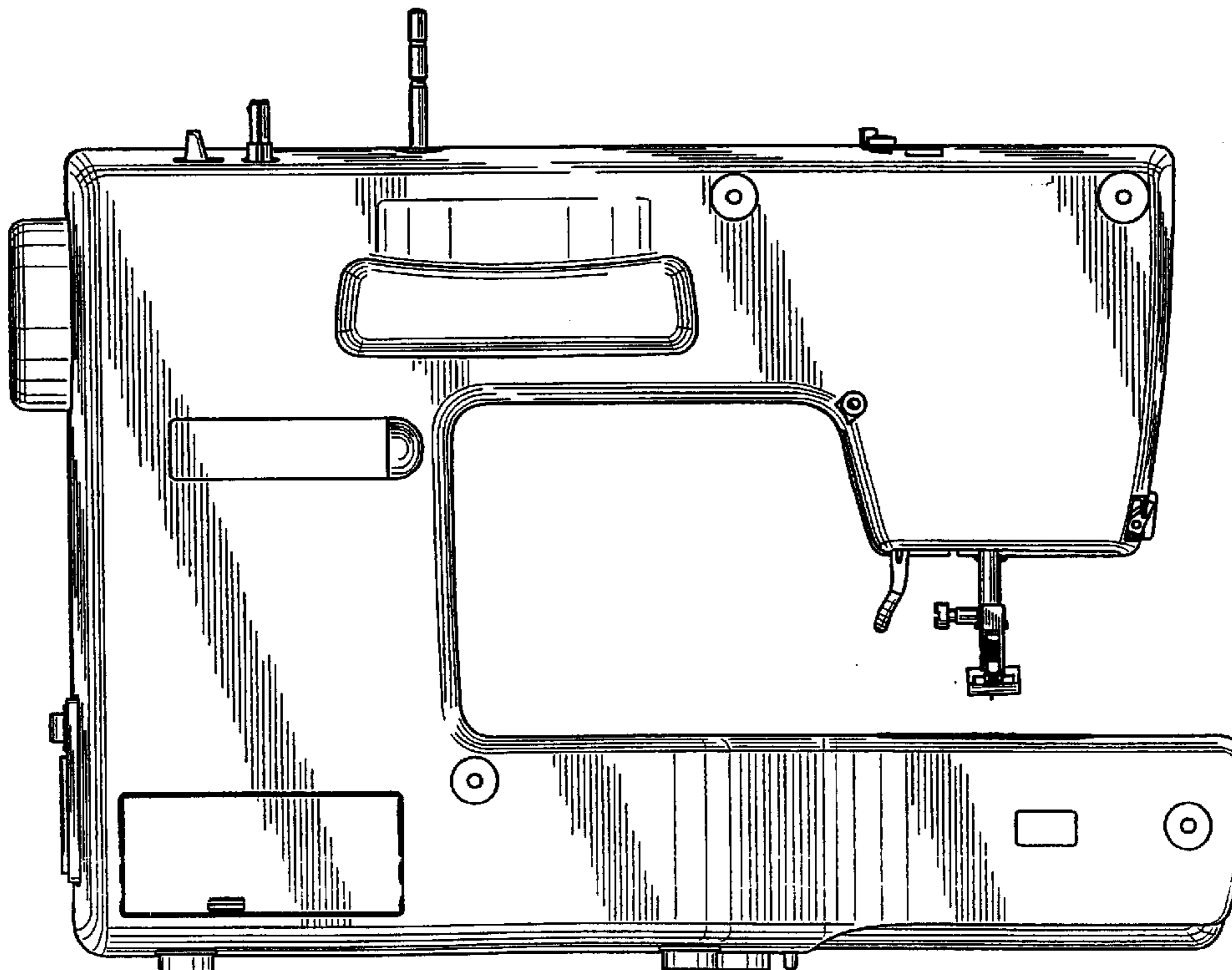


FIG. 4

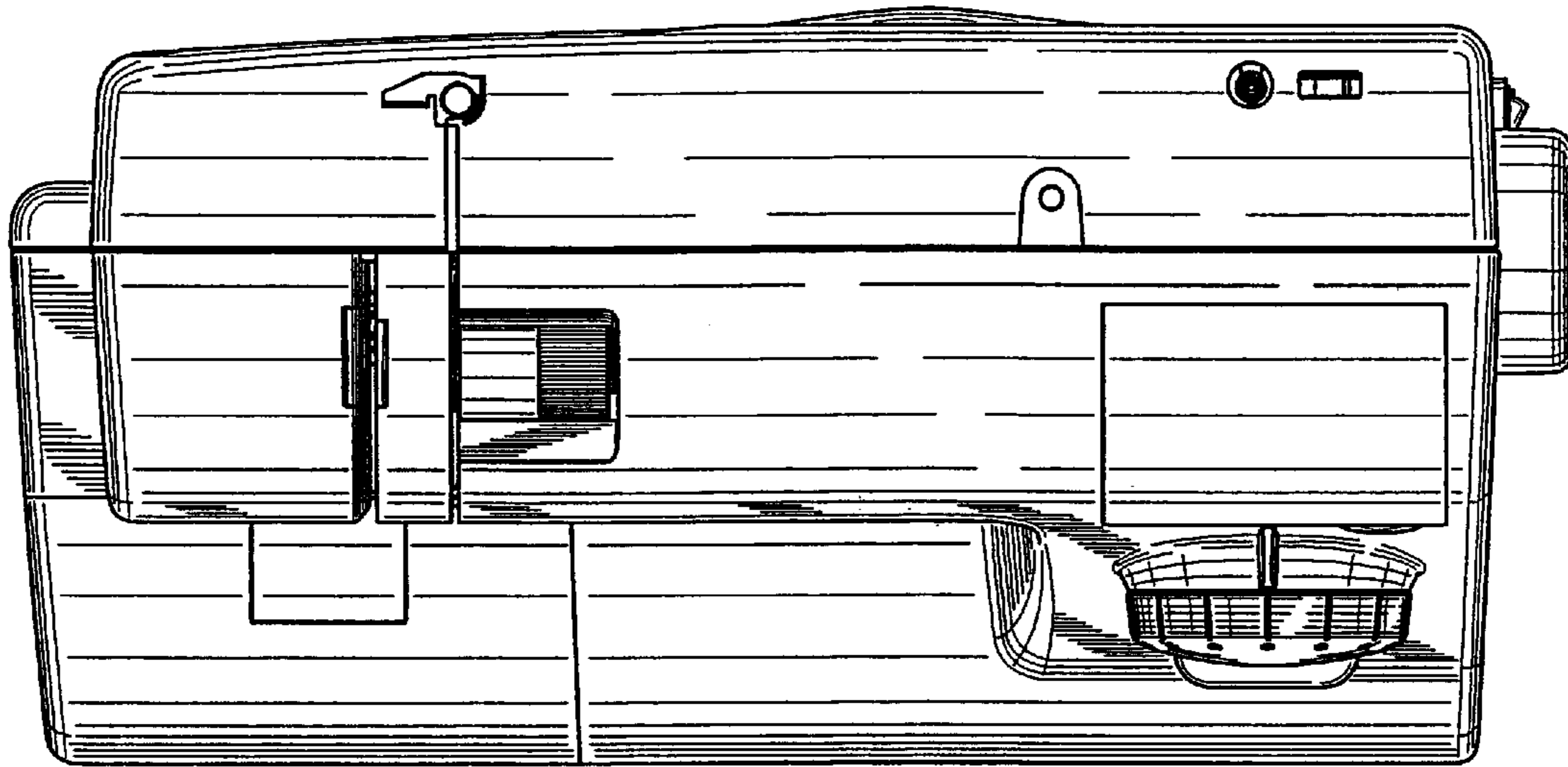


FIG. 5

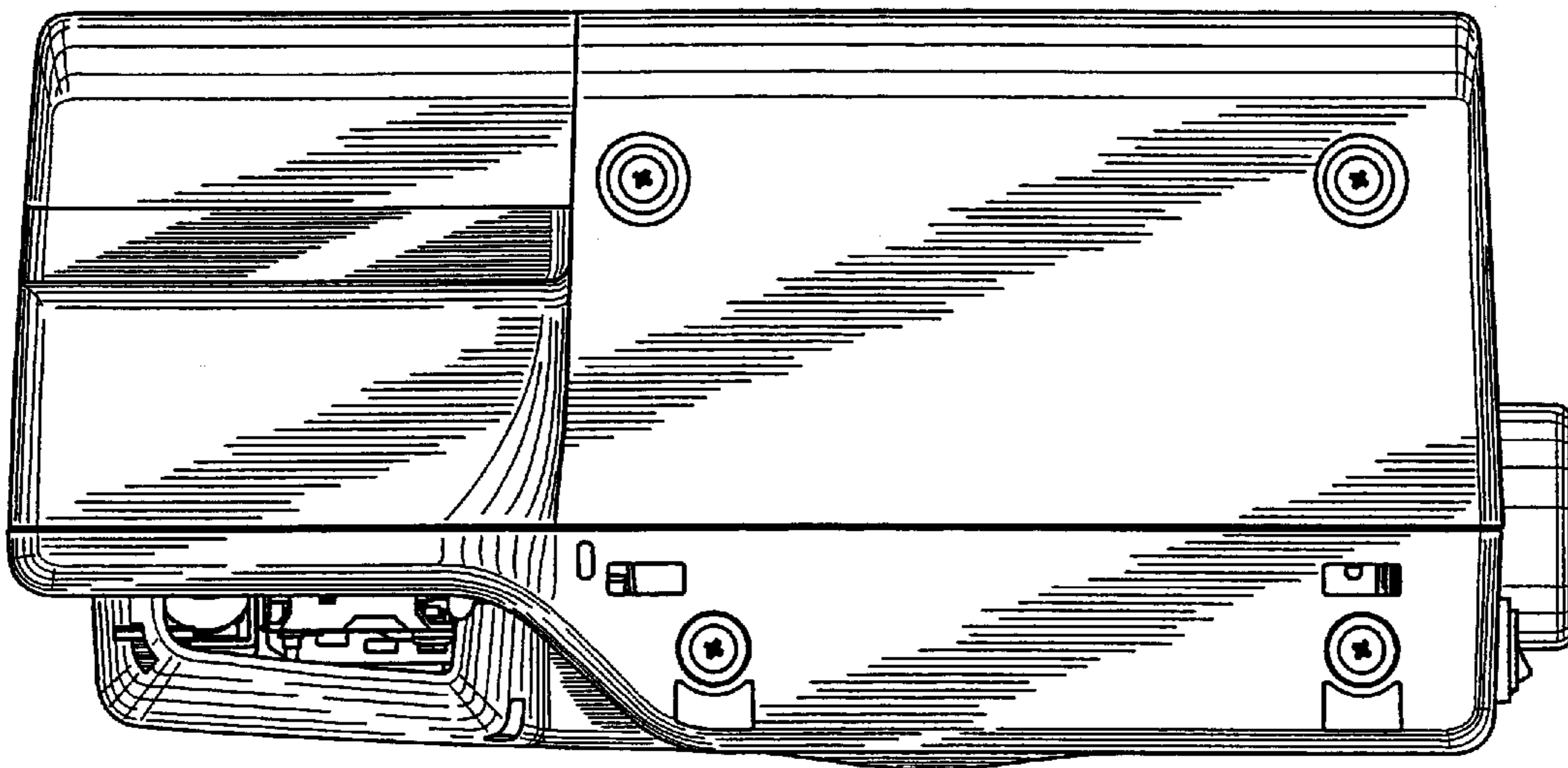


FIG. 6

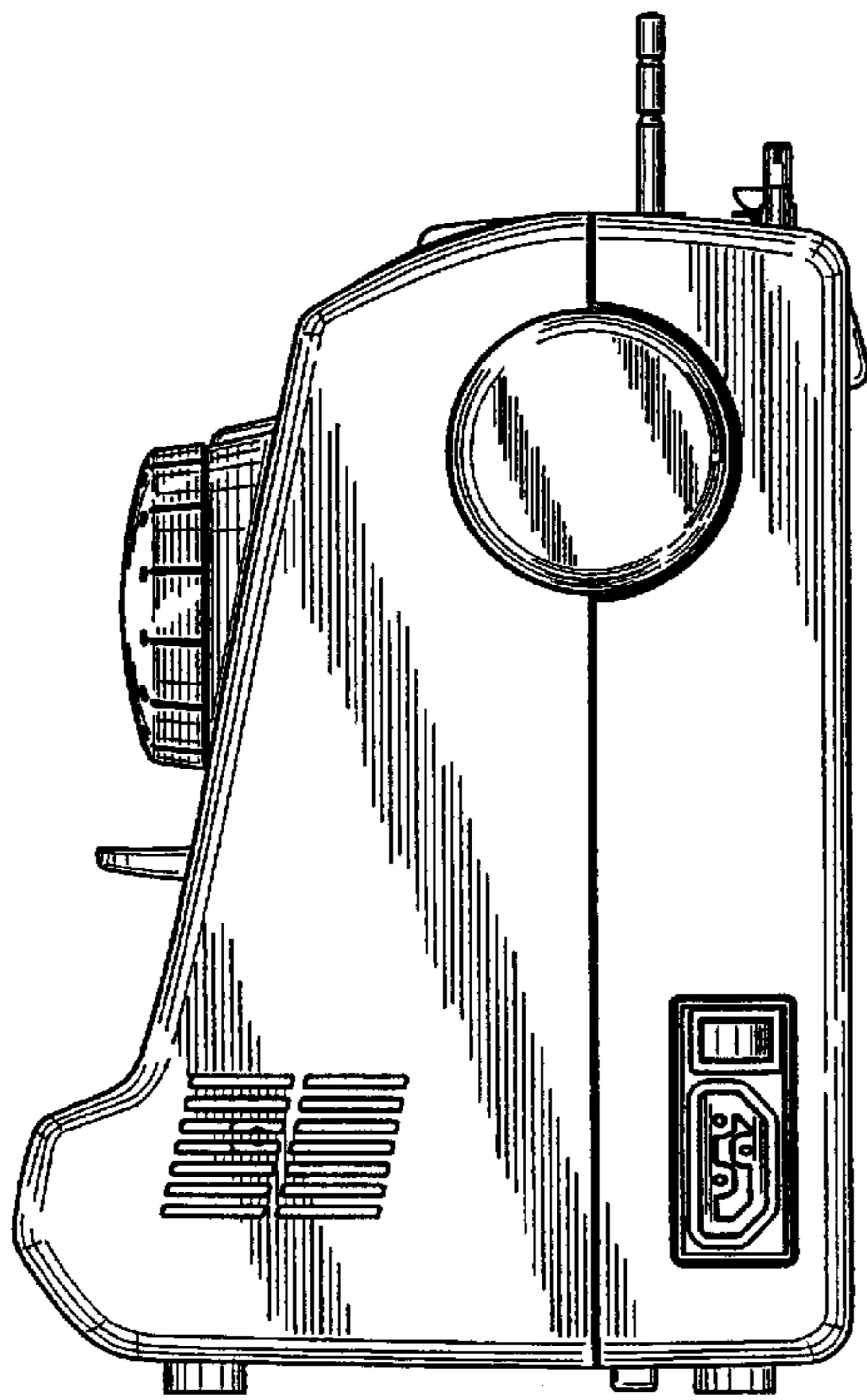


FIG. 7

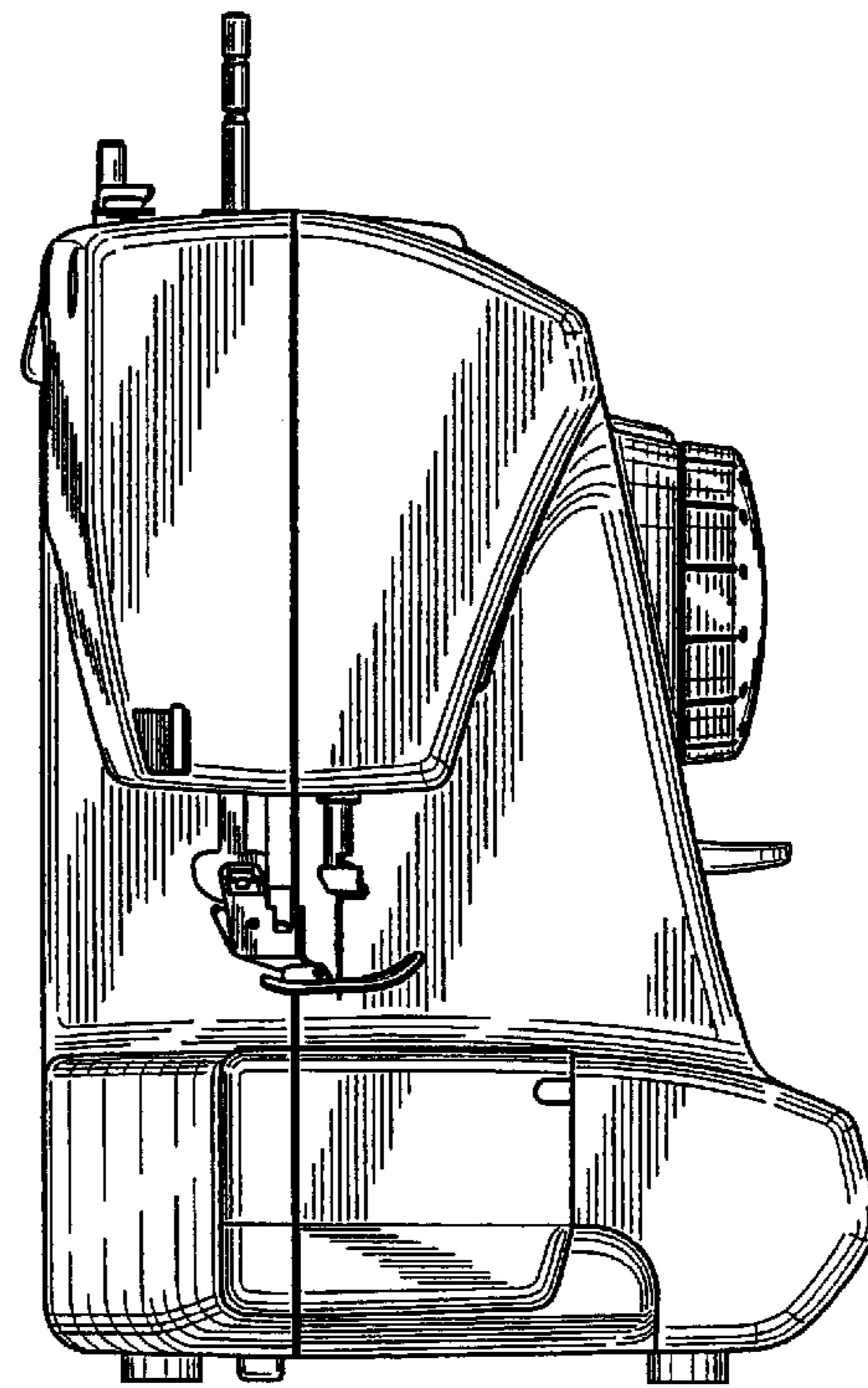


FIG. 8

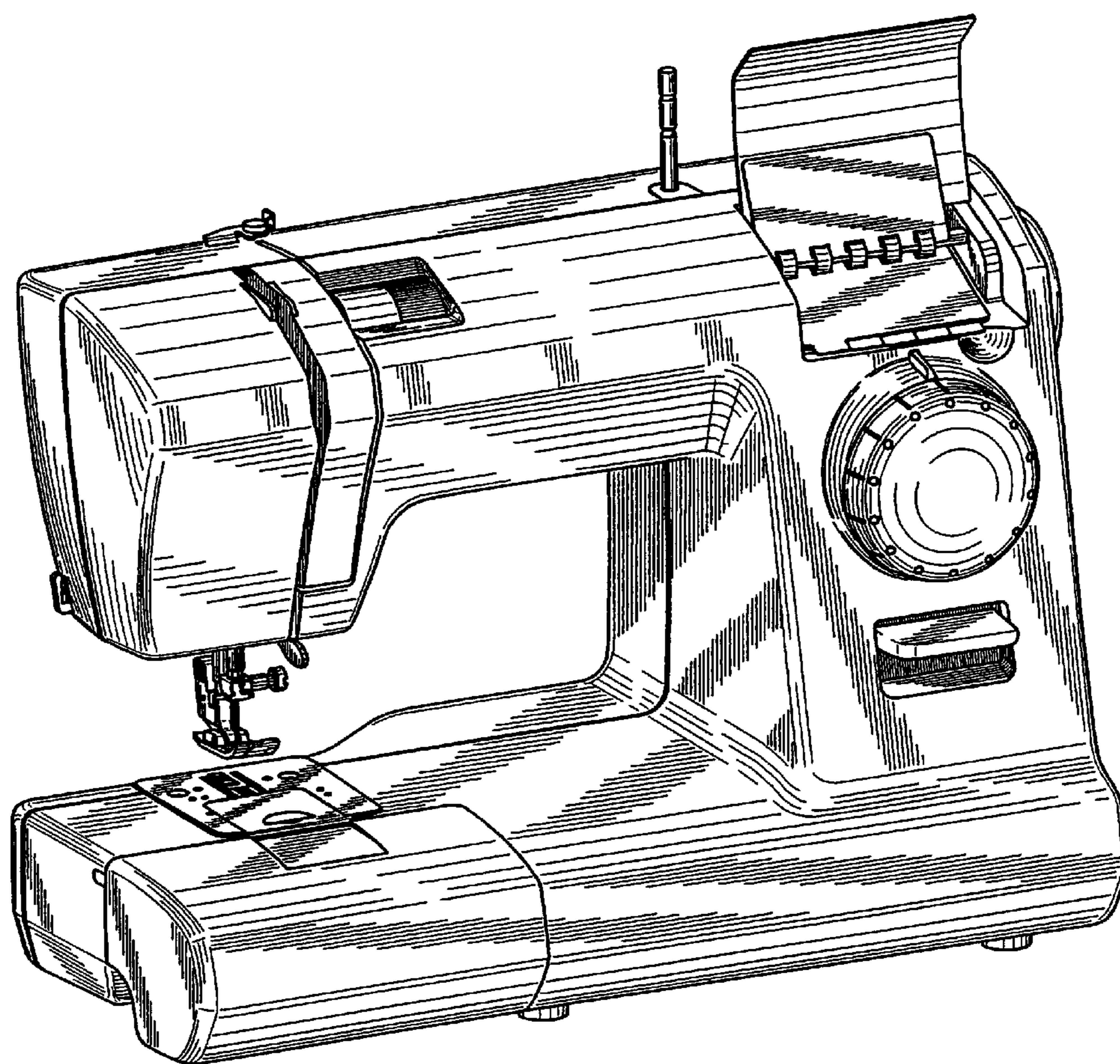


FIG. 9

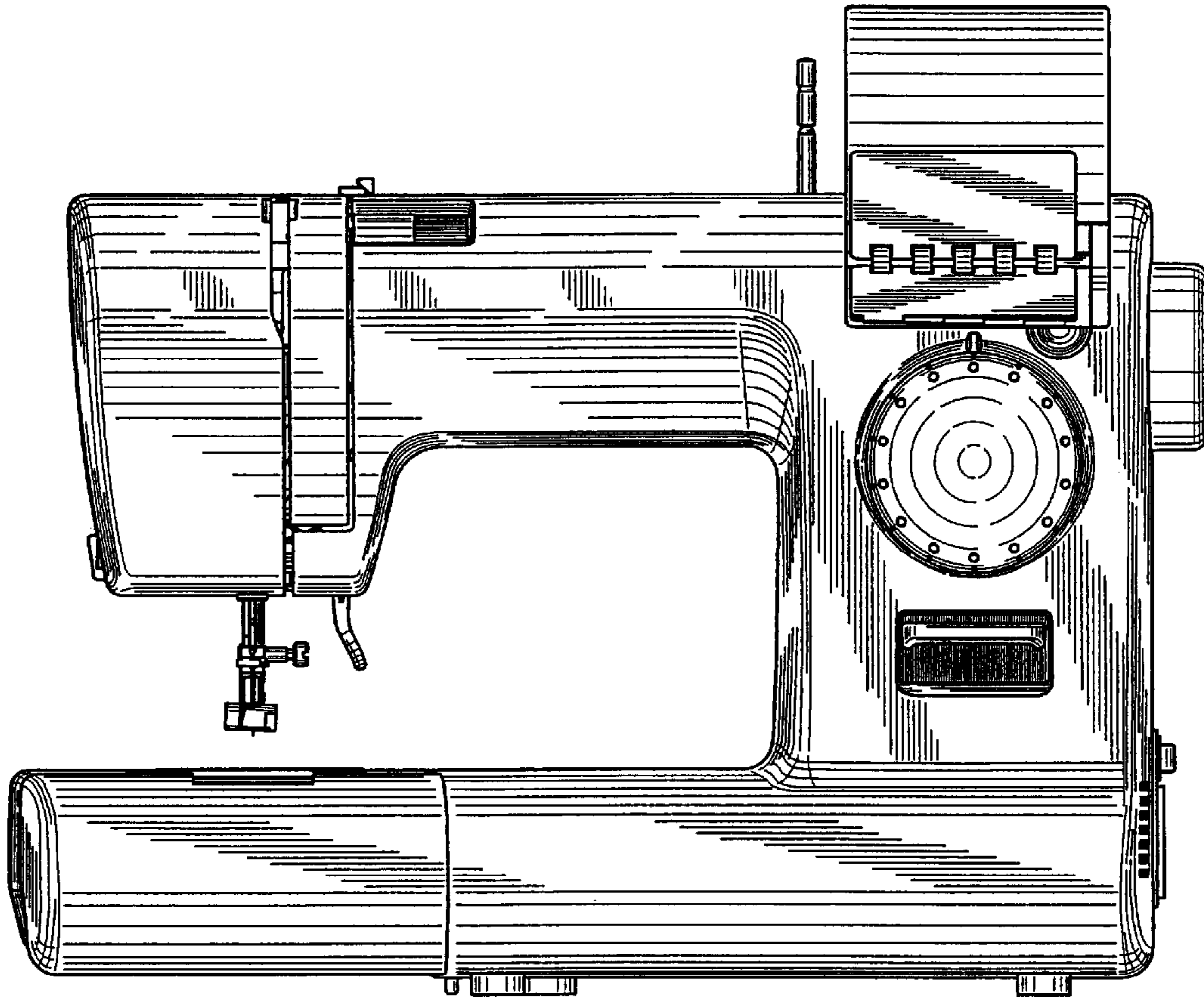


FIG. 10

