



US00D534929S

(12) **United States Design Patent**
Matsumoto et al.

(10) **Patent No.:** **US D534,929 S**
(45) **Date of Patent:** **** Jan. 9, 2007**

(54) **BLADE FOR CONSTRUCTION MACHINERY**

JP 2001-040693 2/2001
JP 1184490 9/2003

(75) Inventors: **Norihisa Matsumoto**, Osaka (JP);
Tatsuo Wada, Osaka (JP)

Primary Examiner—Stella Reid
Assistant Examiner—Mark Goodwin

(73) Assignee: **Komatsu Ltd.**, Tokyo (JP)

(74) *Attorney, Agent, or Firm*—Synnestvedt & Lechner
LLP

(**) Term: **14 Years**

(57) **CLAIM**

(21) Appl. No.: **29/241,693**

The ornamental design for a blade for construction machinery, as shown and described.

(22) Filed: **Oct. 31, 2005**

(30) **Foreign Application Priority Data**

DESCRIPTION

Sep. 15, 2005 (JP) 2005-026734
Sep. 15, 2005 (JP) 2005-026735
Sep. 15, 2005 (JP) 2005-026736

FIG. 1 is a front perspective view of a blade for construction machinery showing our new design;

(51) **LOC (8) Cl.** **15-03**

FIG. 2 is a rear perspective view thereof;

(52) **U.S. Cl.** **D15/32**

FIG. 3 is a front view thereof;

(58) **Field of Classification Search** D15/10,

FIG. 4 is a rear view thereof;

D15/11, 23, 25, 28, 32; 37/219, 273, 276,
37/407, 266, 279; 254/54.5, 59, 131.5; 702/41;
180/6.7; 172/701.1, 4.5, 7, 2, 817, 826, 821

FIG. 5 is a top plan view thereof;

See application file for complete search history.

FIG. 6 is a bottom plan view thereof;

(56) **References Cited**

FIG. 7 is a right side elevational view thereof;

U.S. PATENT DOCUMENTS

FIG. 8 is a left side elevational view thereof;

2,674,817 A * 4/1954 Palmiter 172/252
D226,558 S * 3/1973 Skyer et al. D15/23
D274,251 S * 6/1984 Hustveit D15/32
4,779,363 A * 10/1988 Boutrais et al. 37/405
D310,225 S * 8/1990 Eberle D15/11
4,991,662 A * 2/1991 Caron et al. 172/701.1
D323,660 S * 2/1992 Bolduc et al. D15/32
5,392,864 A 2/1995 Lindenmuth 172/811
5,535,830 A * 7/1996 Matsushita et al. 172/7
5,620,053 A 4/1997 Kamikawa et al. 172/4

FIG. 9 is a front perspective view of a blade for construction machinery according to a second embodiment of the present design;

FIG. 10 is a rear perspective view thereof;

FIG. 11 is a front view thereof;

FIG. 12 is a rear view thereof;

FIG. 13 is a top plan view thereof;

FIG. 14 is a bottom plan view thereof;

FIG. 15 is a right side elevational view thereof;

FIG. 16 is a left side elevational view thereof;

FIG. 17 is a front perspective view of a blade for construction machinery according to a third embodiment of the present design;

FIG. 18 is a rear perspective view thereof;

FIG. 19 is a front view thereof;

FIG. 20 is a rear view thereof;

FIG. 21 is a top plan view thereof;

FIG. 22 is a bottom plan view thereof;

FIG. 23 is a right side elevational view thereof; and,

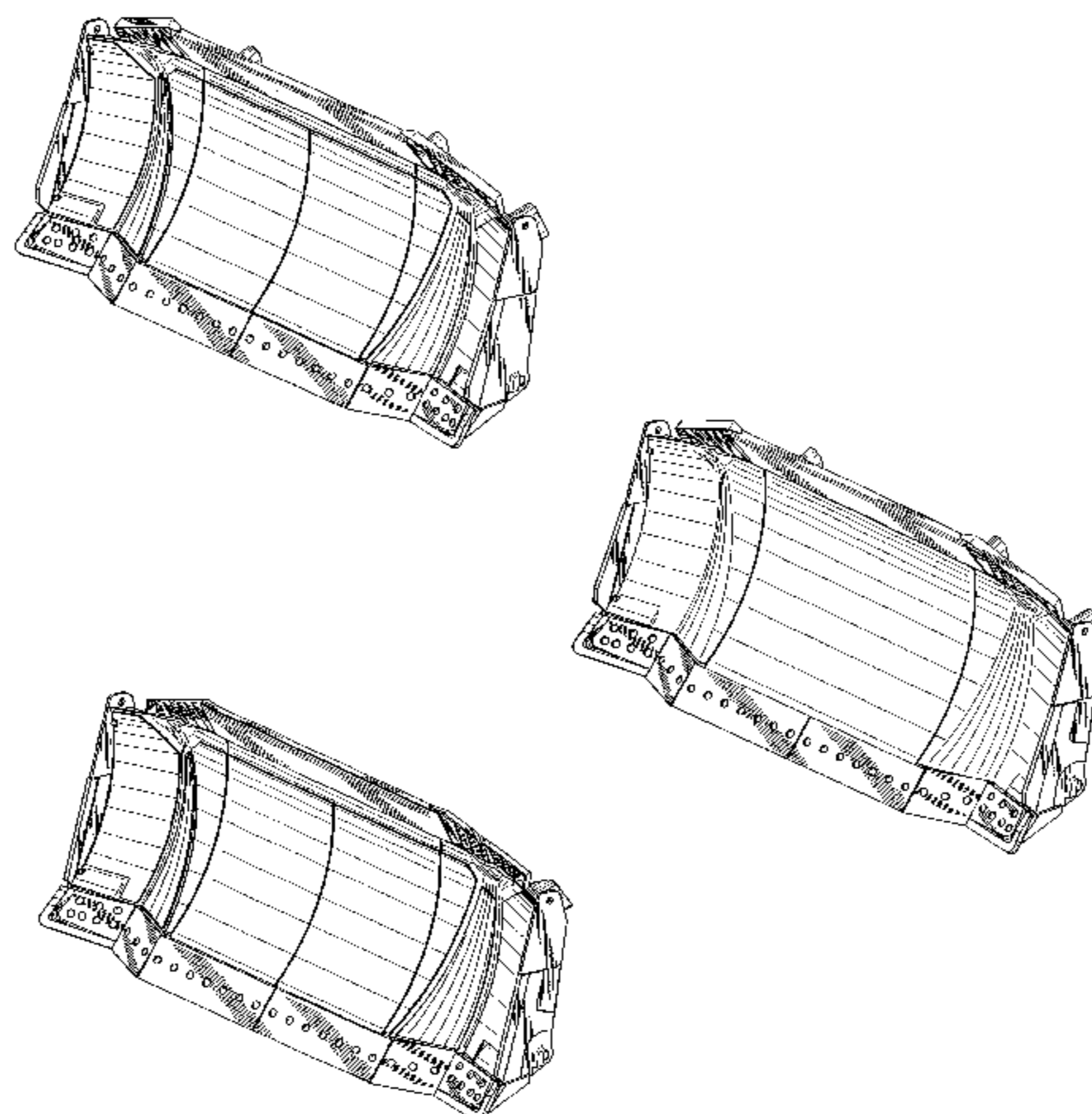
FIG. 24 is a left side elevational view thereof.

(Continued)

FOREIGN PATENT DOCUMENTS

JP 61-76861 5/1986
JP 63-71253 5/1988
JP 04-92064 8/1992
JP 08-049224 2/1996

1 Claim, 12 Drawing Sheets



US D534,929 S

Page 2

U.S. PATENT DOCUMENTS

5,799,737	A	*	9/1998	Kamikawa et al.	172/2	6,574,890	B1	*	6/2003	Bateman, Jr.	37/264
5,950,141	A	*	9/1999	Yamamoto et al.	702/41	D477,610	S		7/2003	Matsumoto et al.	D15/11
D425,527	S	*	5/2000	Deyo et al.	D15/32	D478,097	S	*	8/2003	Vennard et al.	D15/11
6,408,549	B1	*	6/2002	Quenzi et al.	37/281	D478,098	S		8/2003	Matsumoto et al.	D15/11
6,412,199	B1	*	7/2002	Quenzi et al.	37/281	6,938,701	B1		9/2005	Matsumoto et al.	172/811
6,481,506	B1	*	11/2002	Okada et al.	172/812							

* cited by examiner

FIG. 1

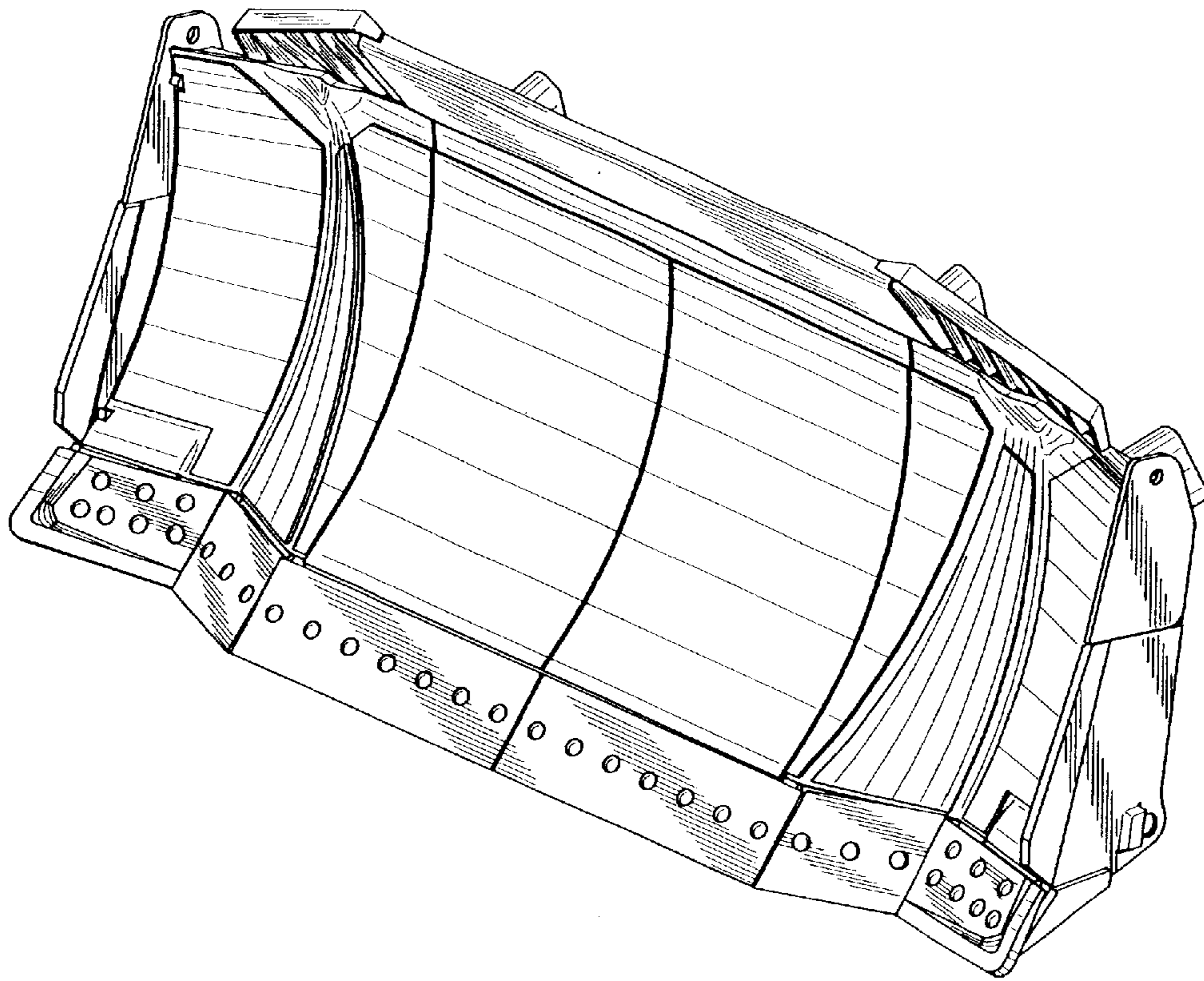


FIG. 2

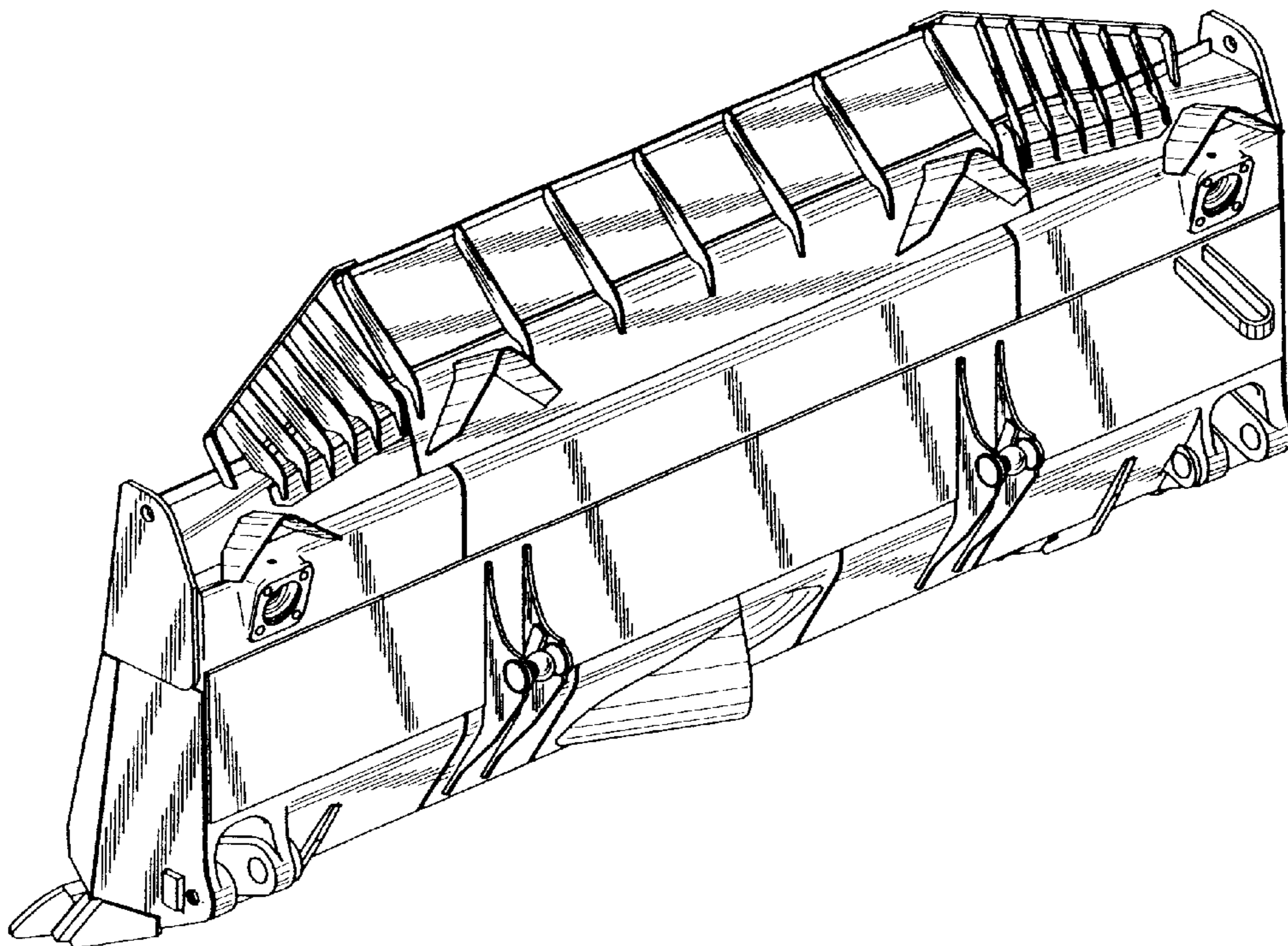


FIG. 3

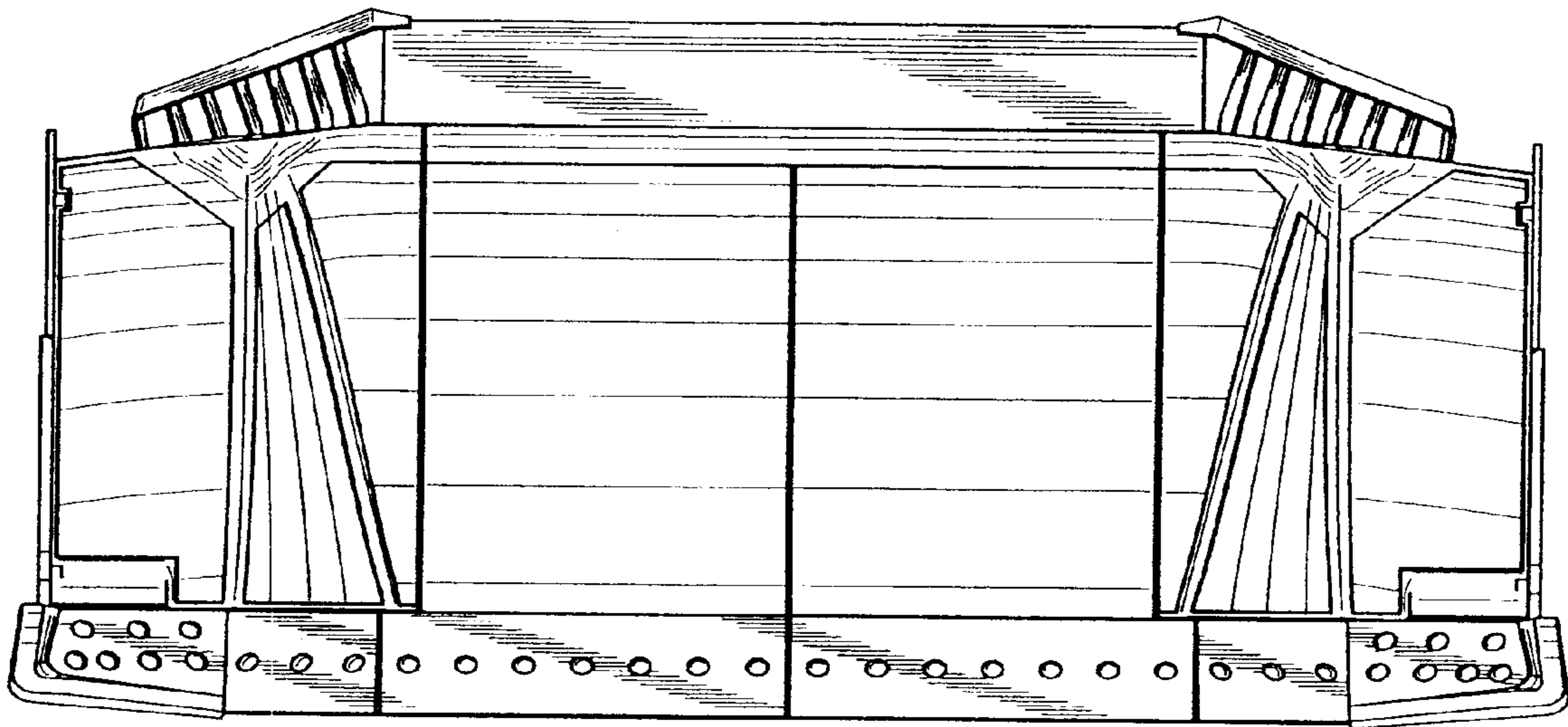


FIG. 4

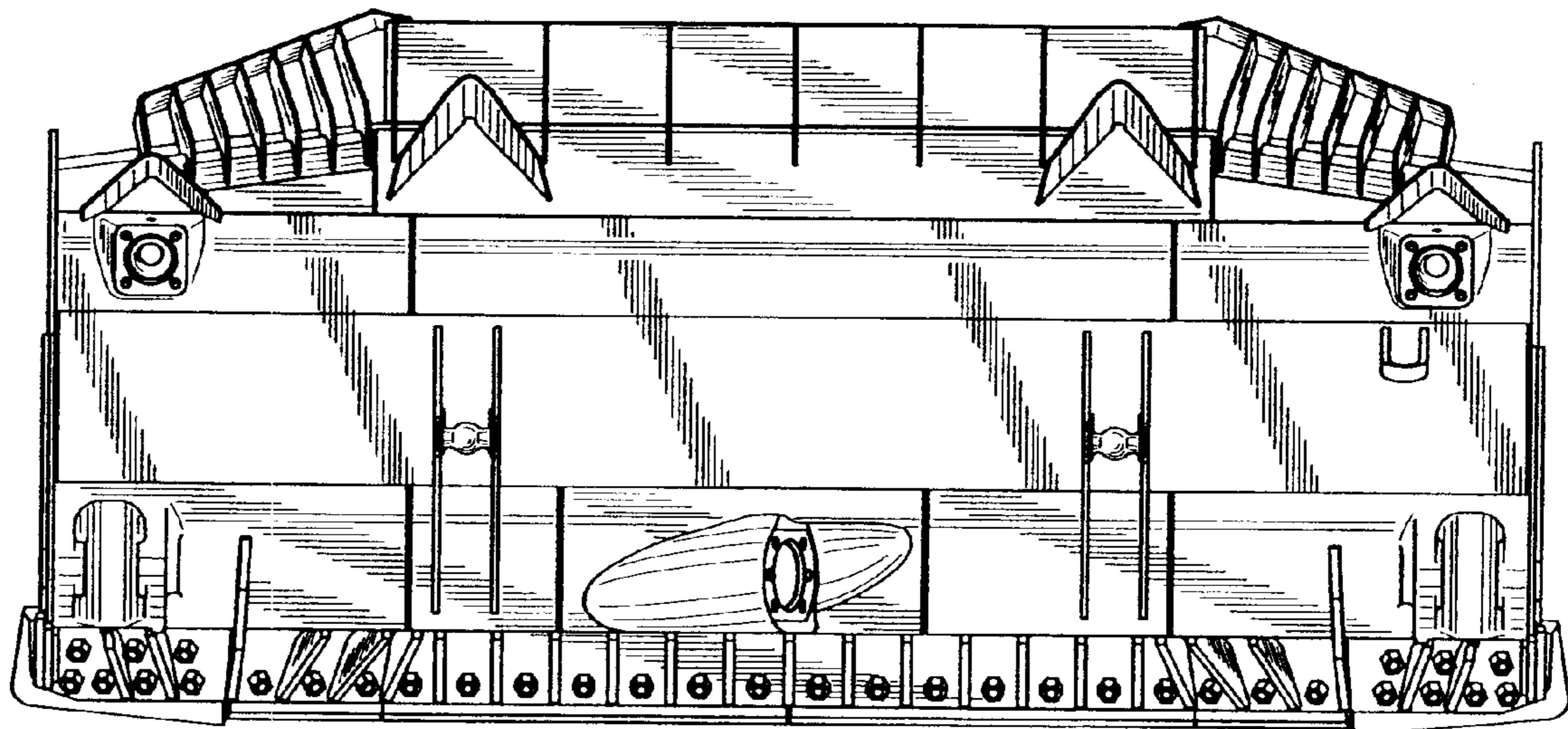


FIG. 5

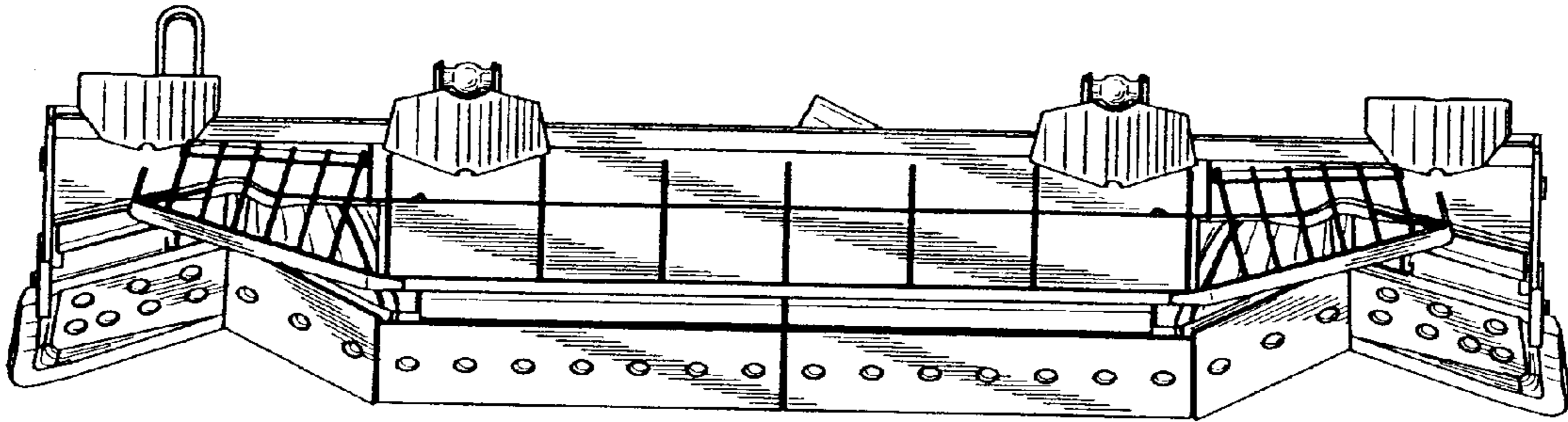


FIG. 6

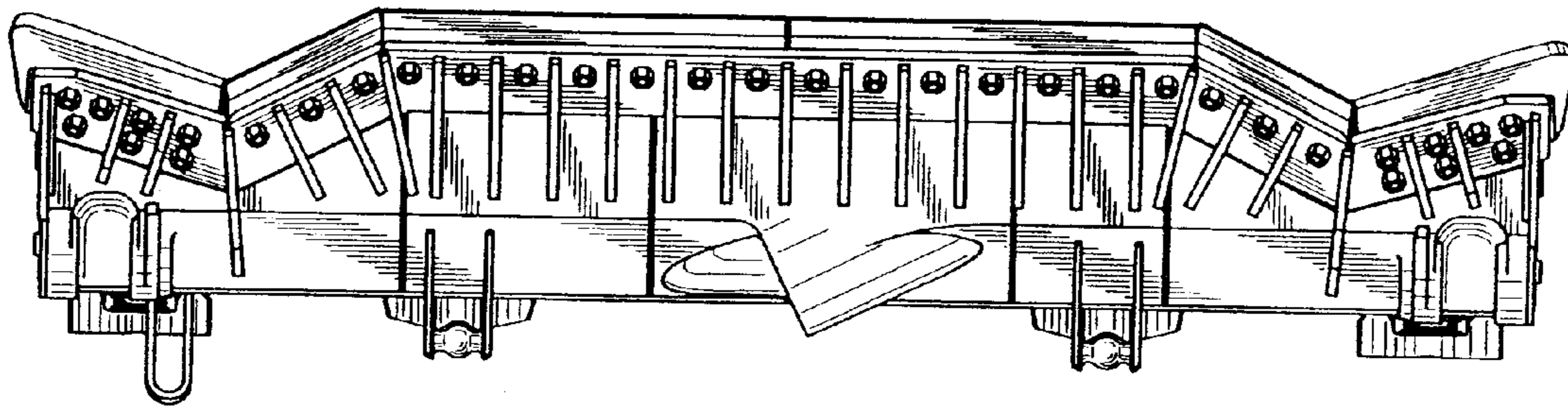


FIG. 7

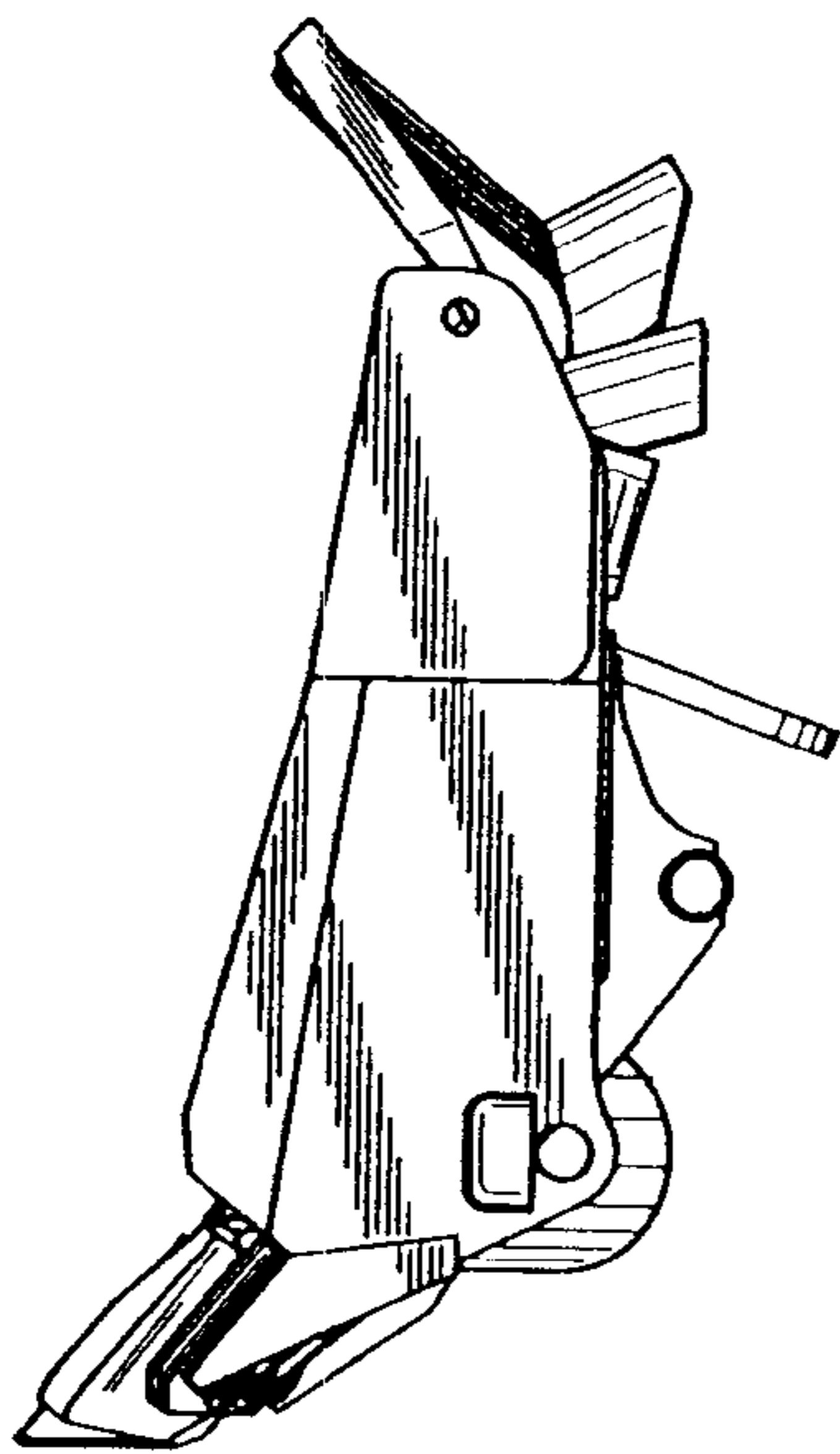


FIG. 8

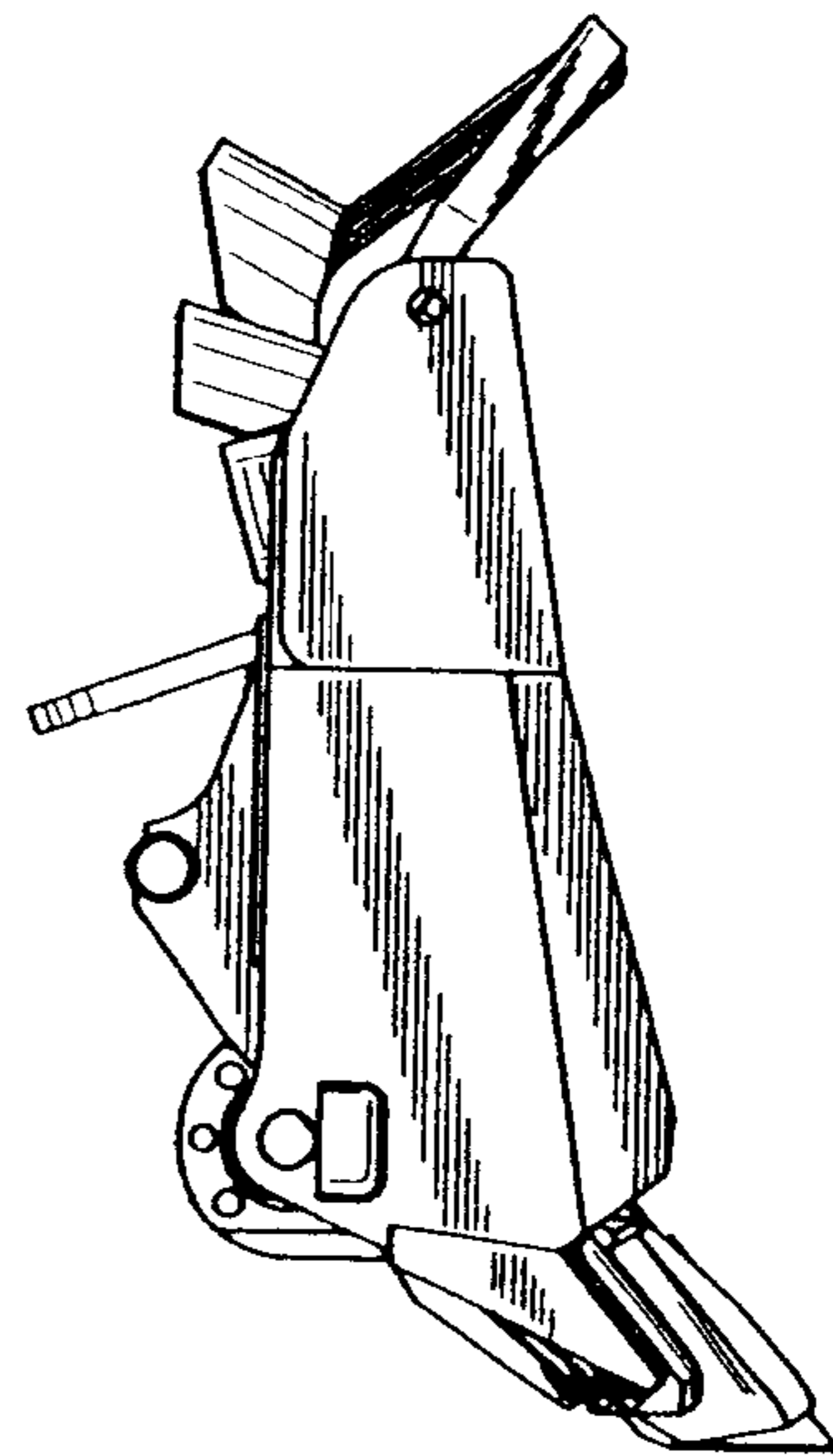


FIG. 9

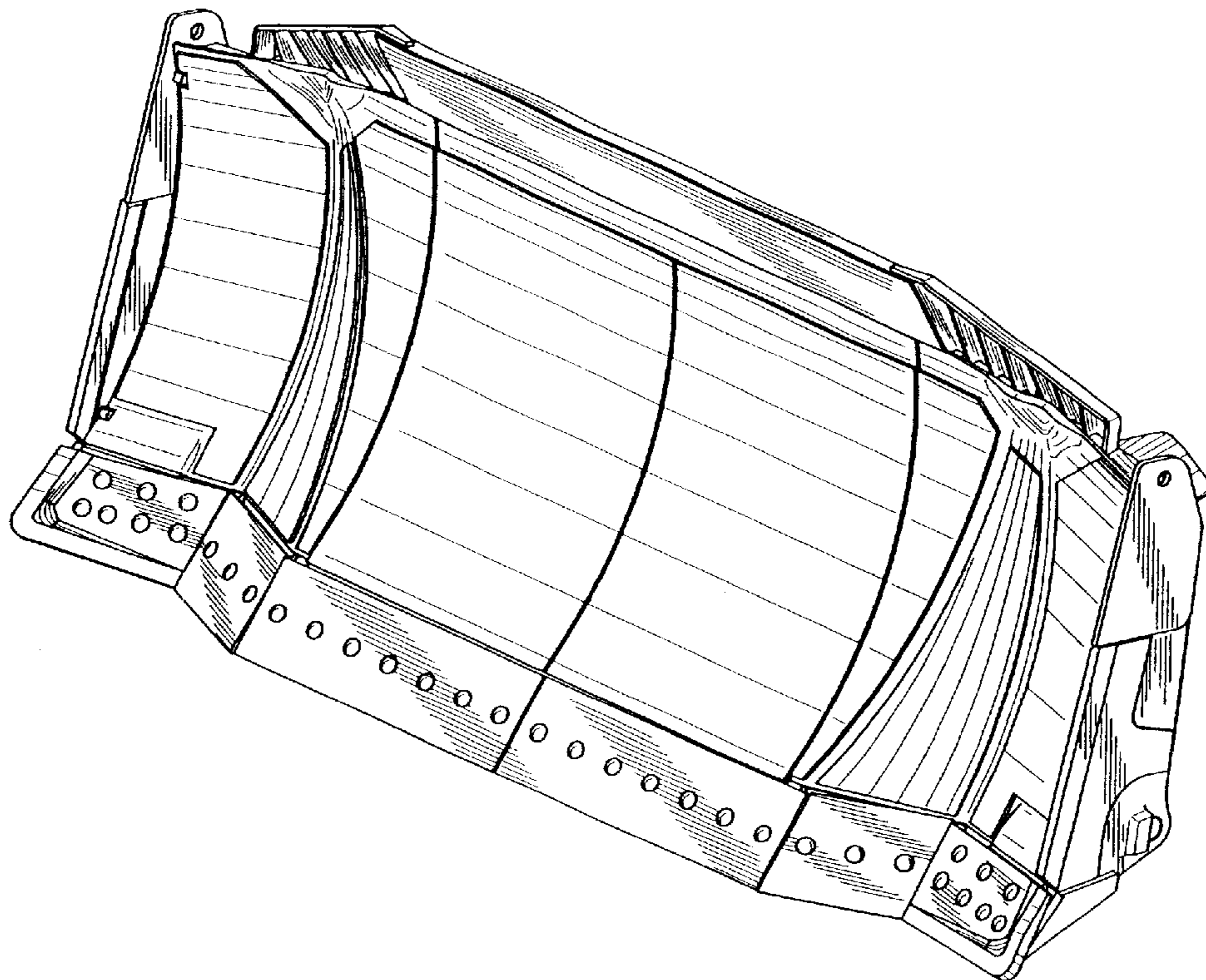


FIG. 10

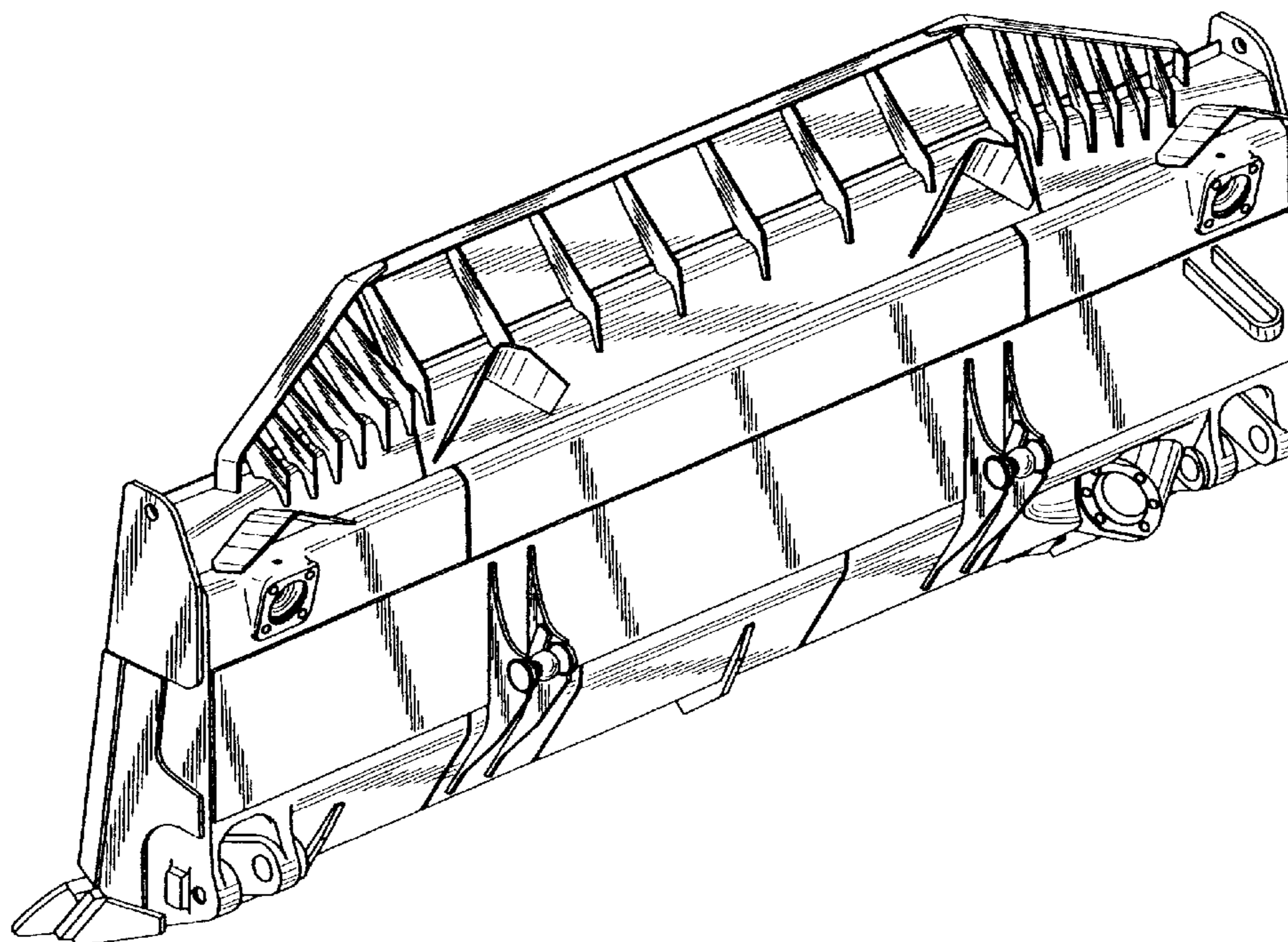


FIG. 11

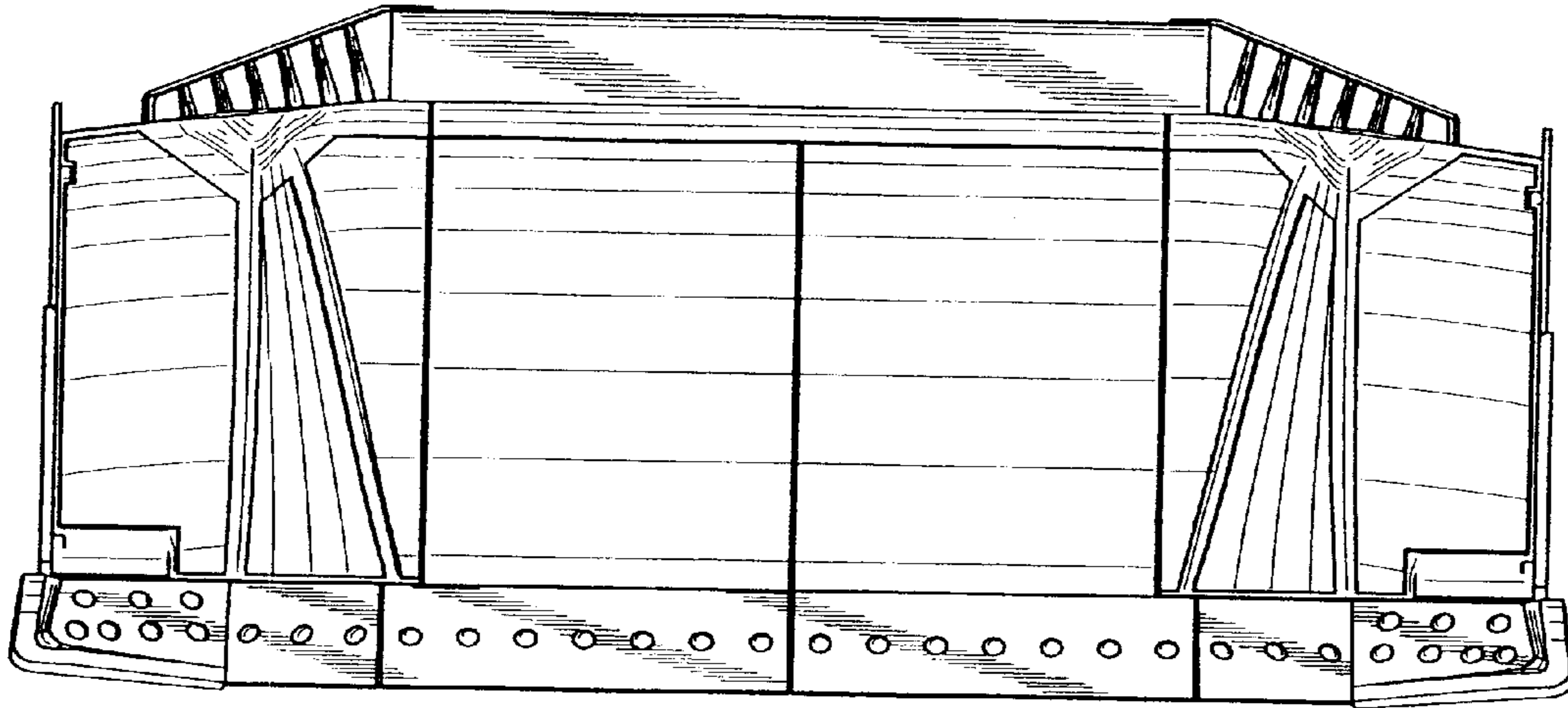


FIG. 12

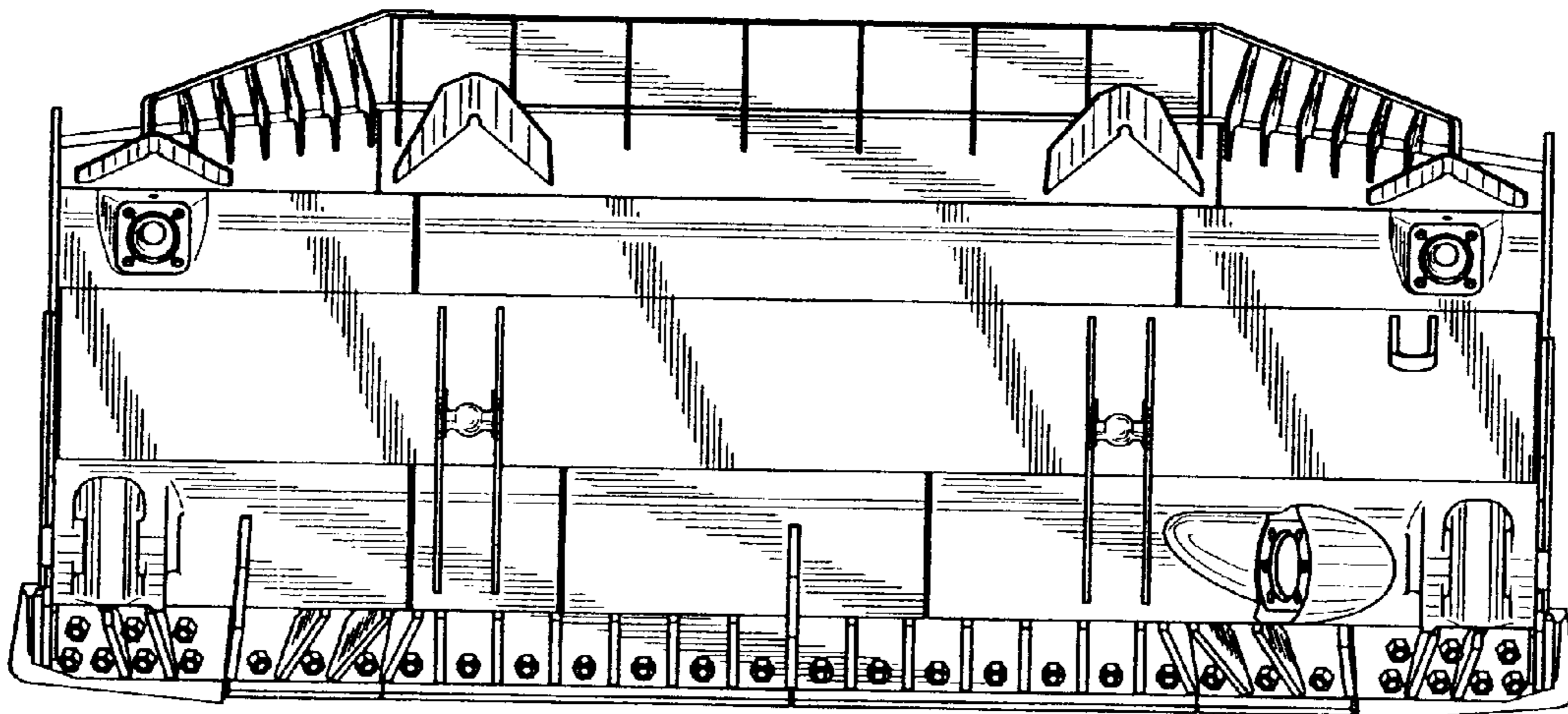


FIG. 13

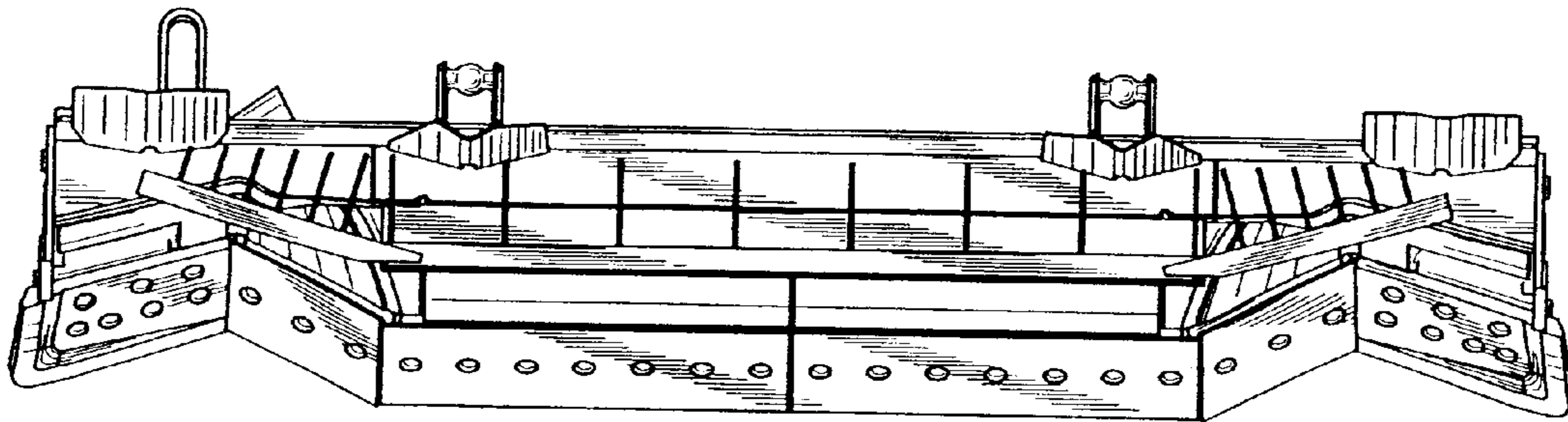


FIG. 14

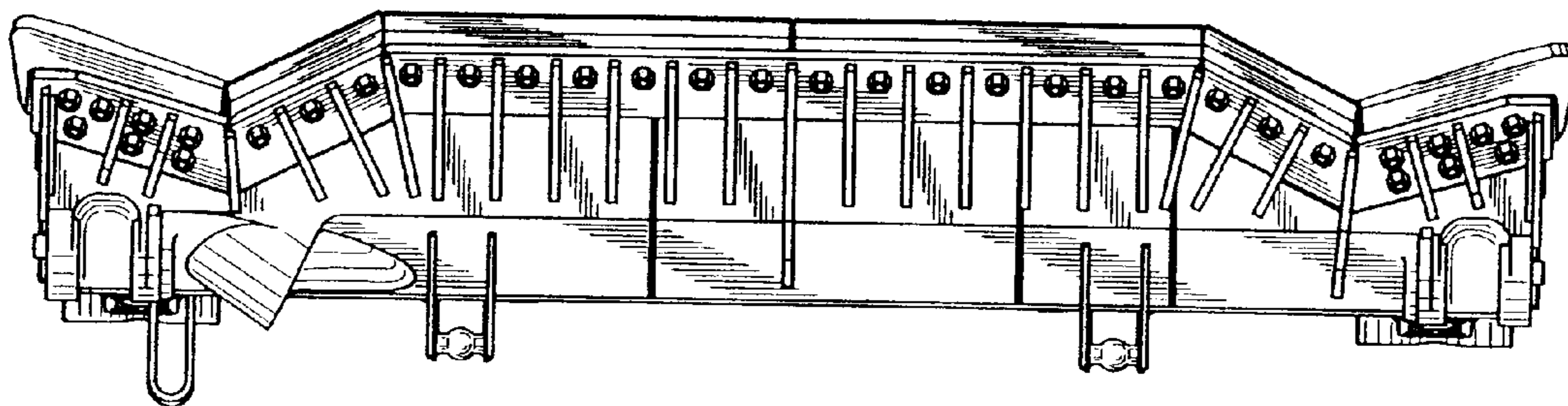


FIG. 15

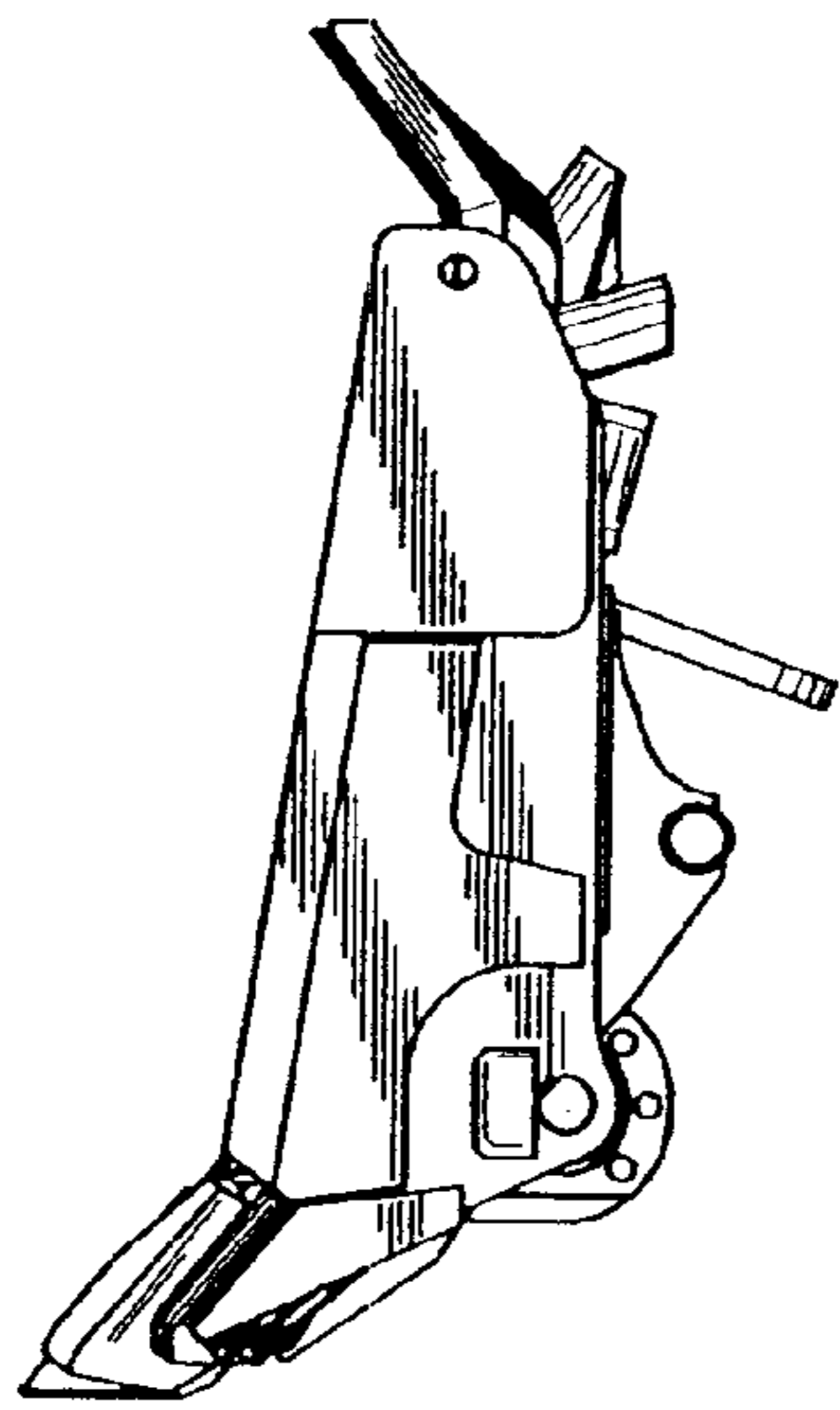


FIG. 16

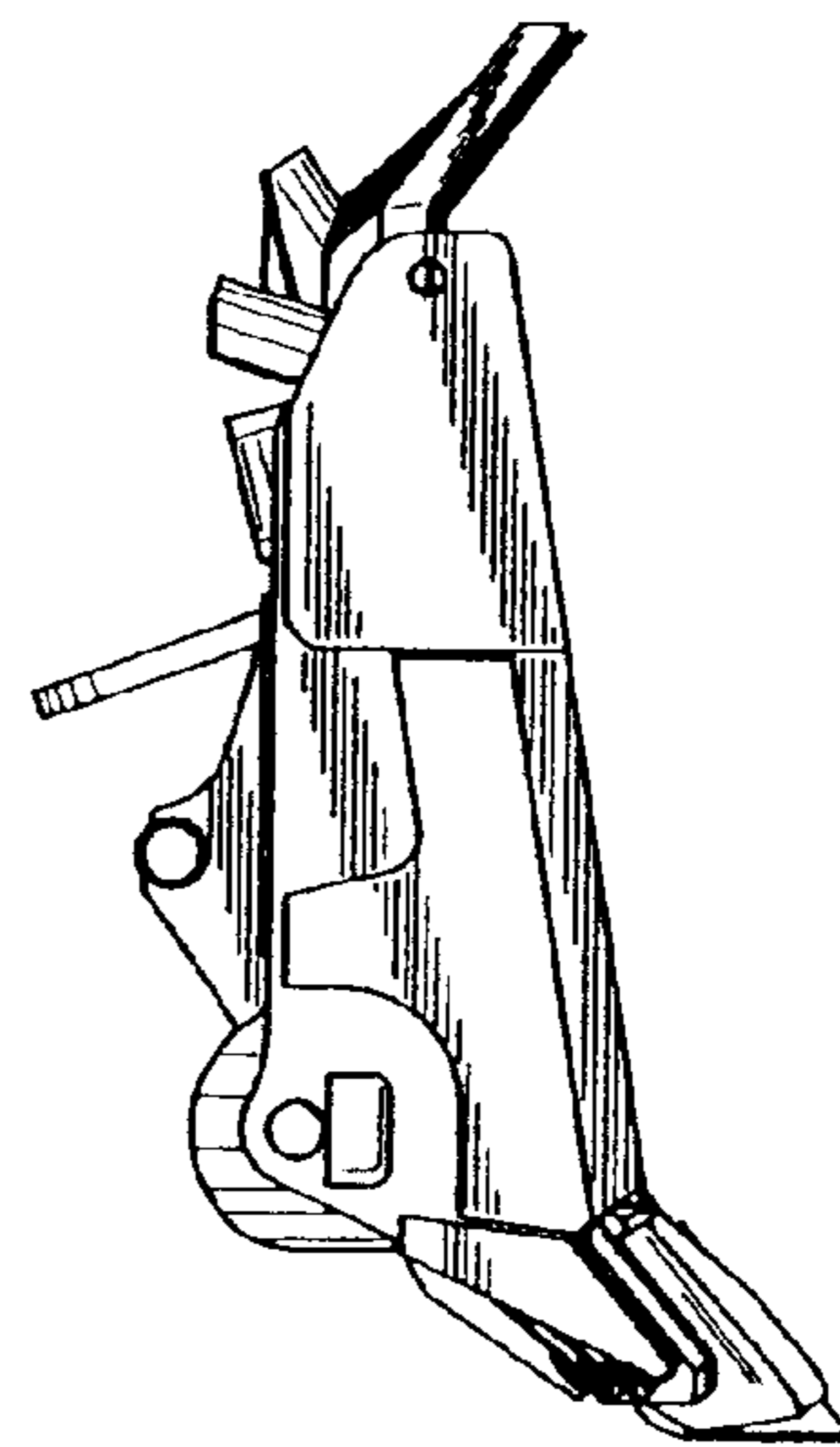


FIG. 17

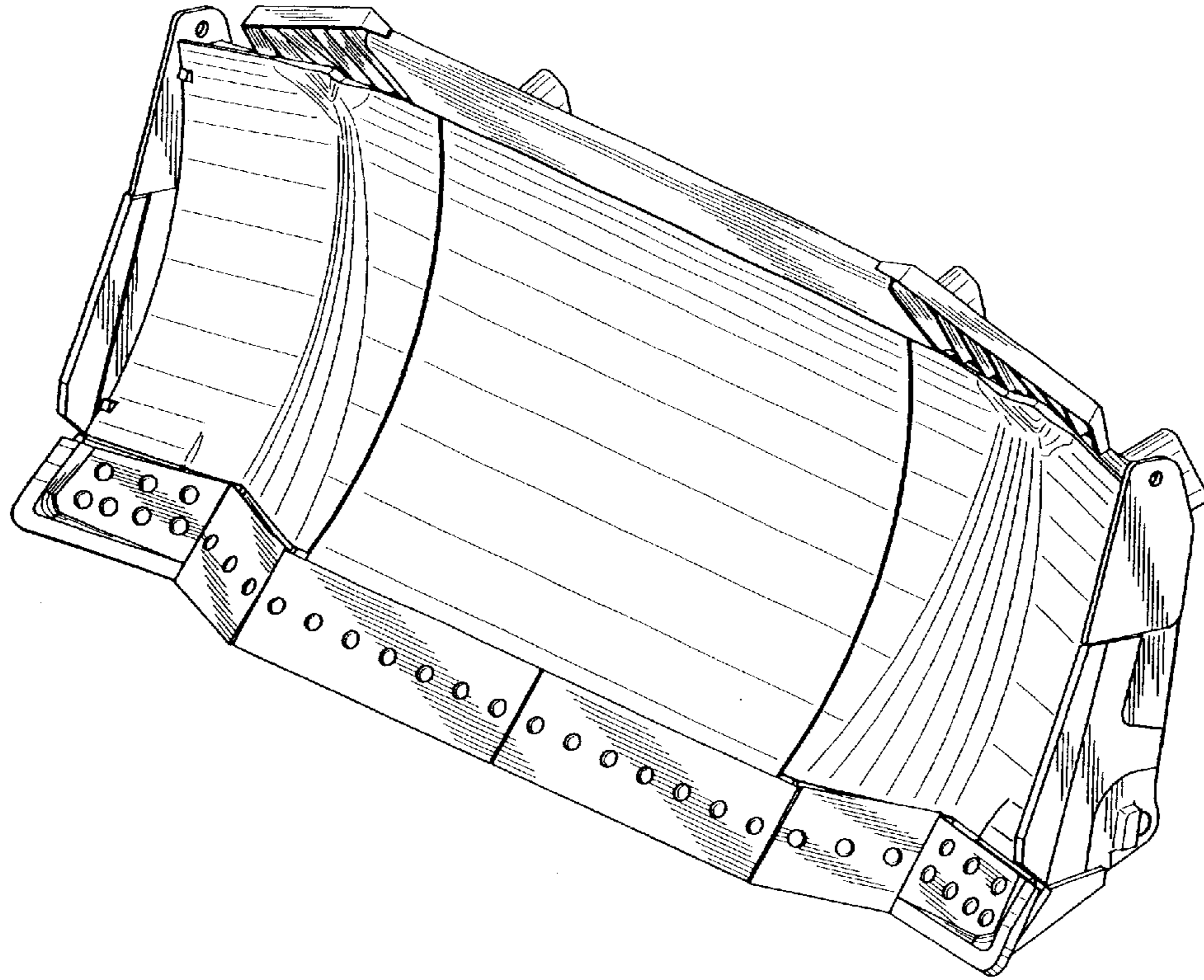


FIG. 18

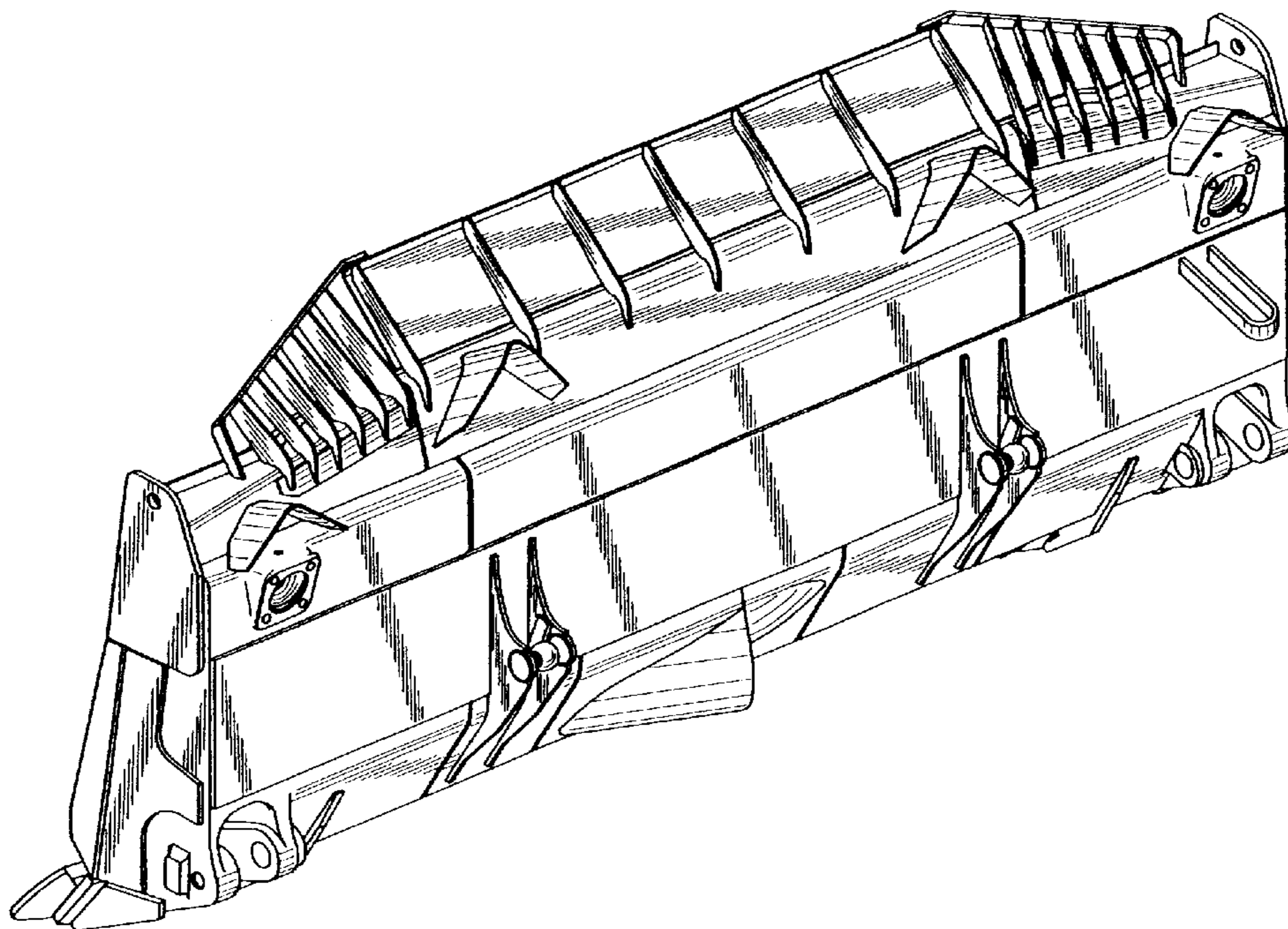


FIG. 19

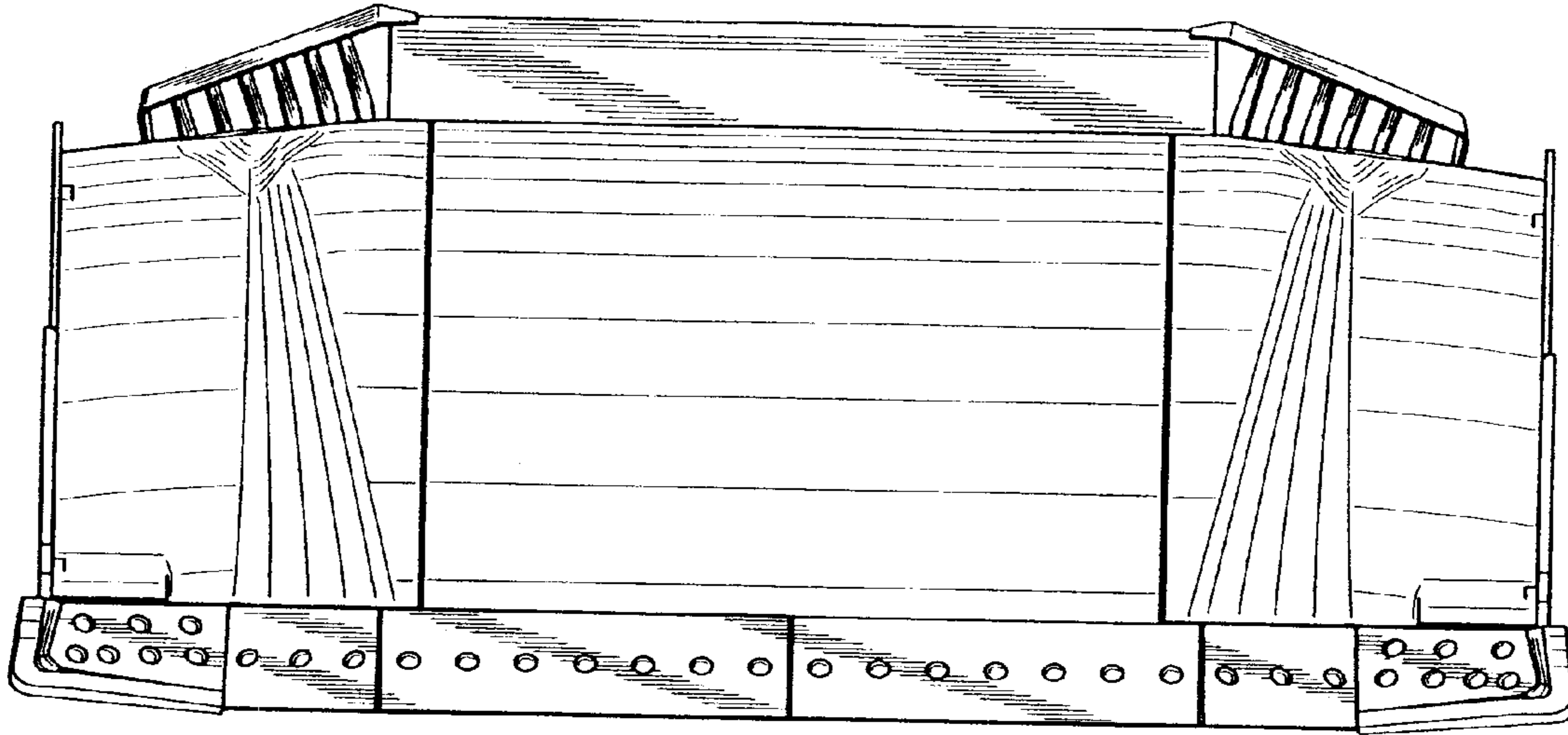


FIG. 20

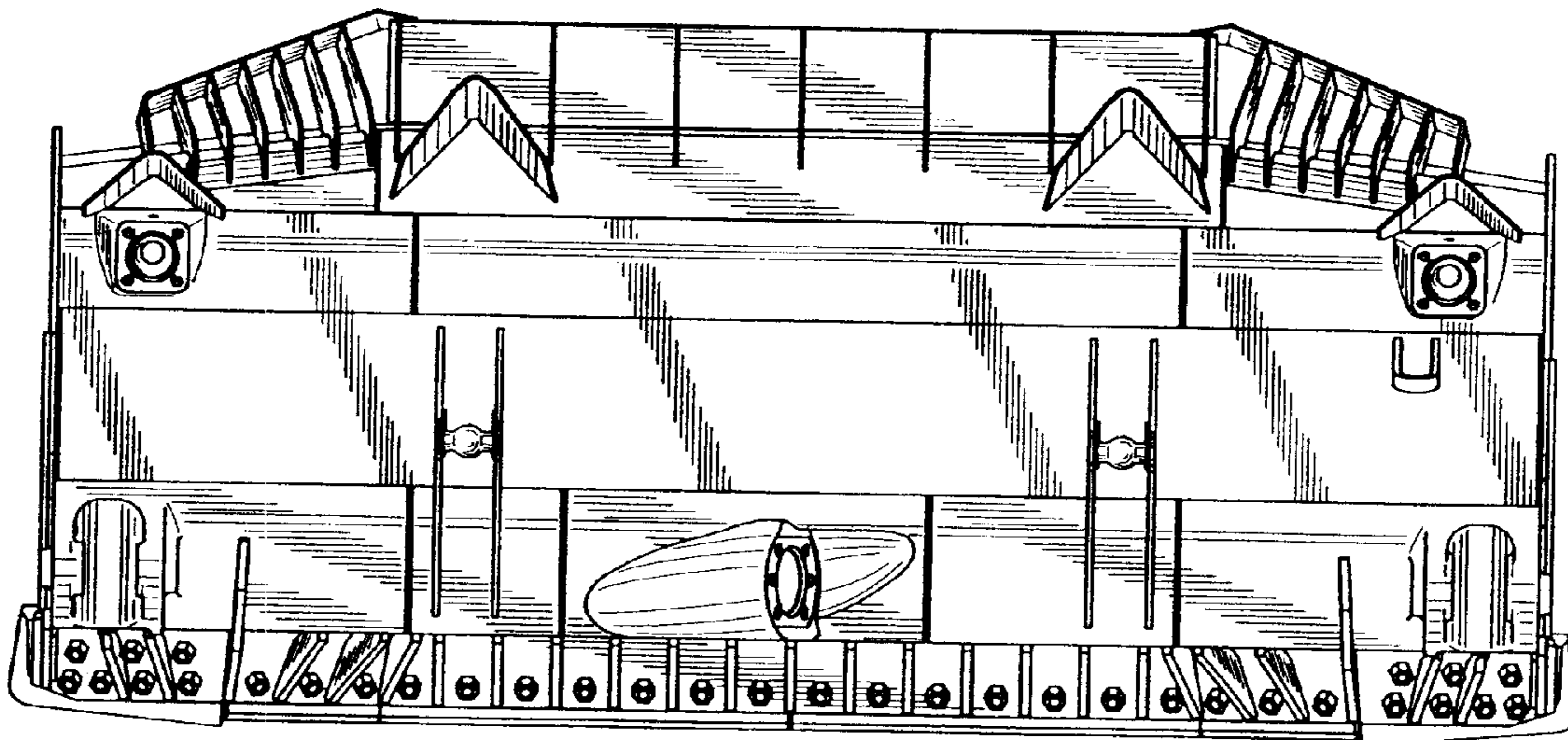


FIG. 21

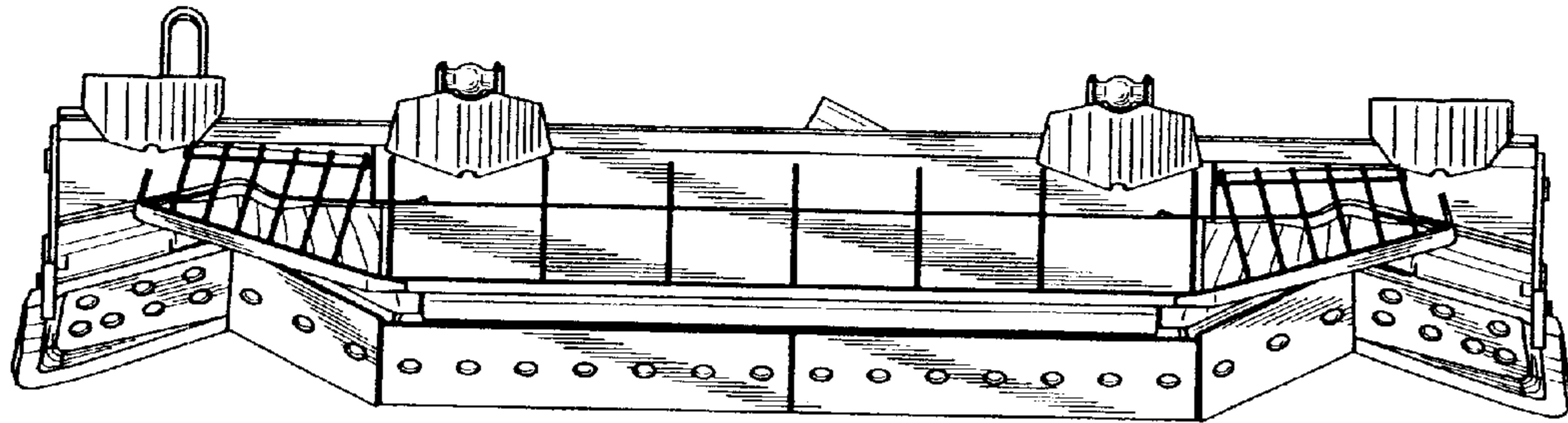


FIG. 22

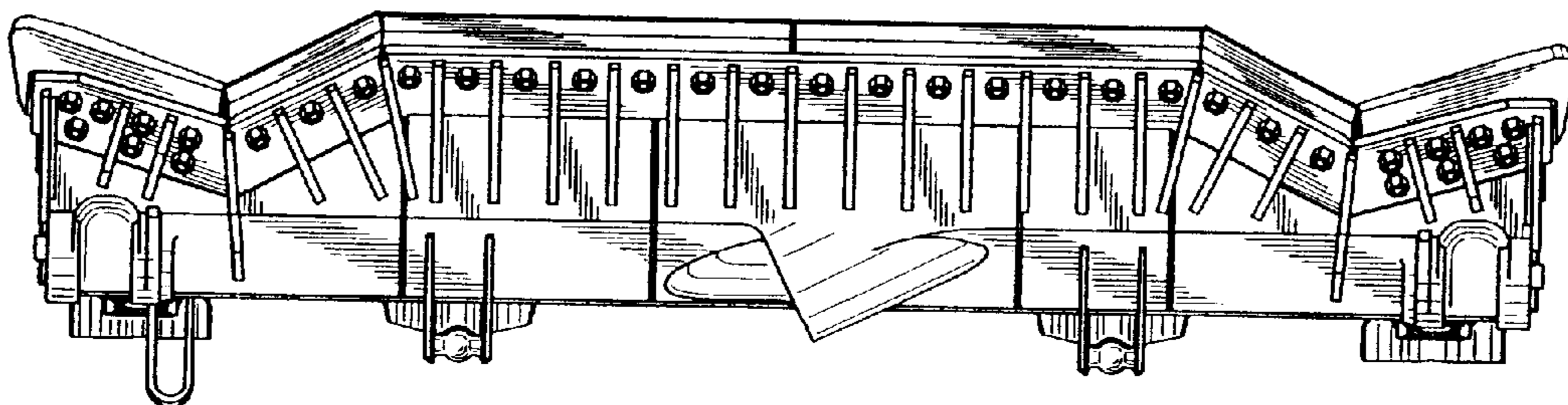


FIG. 23

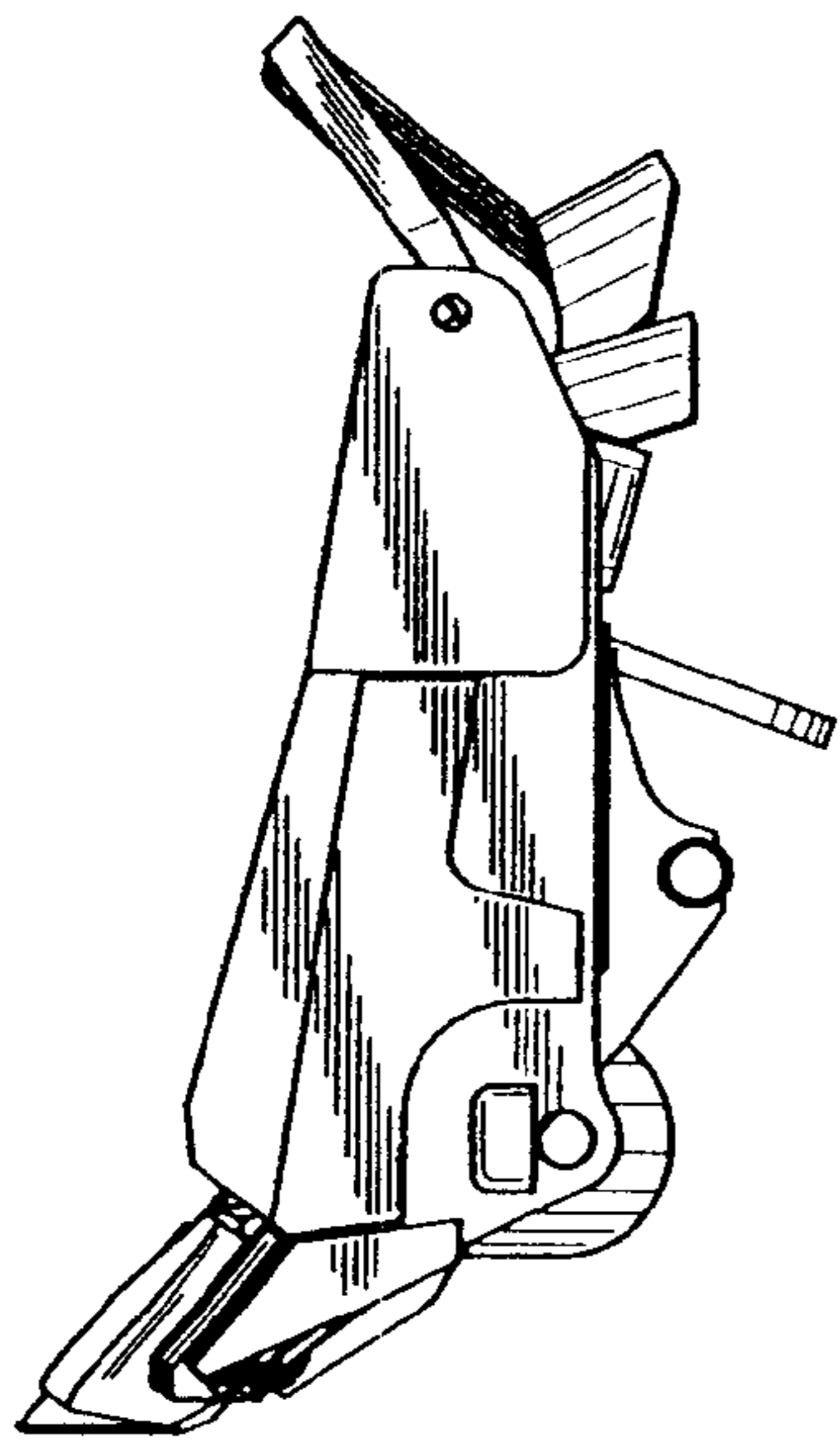


FIG. 24

