



US00D534928S

(12) **United States Design Patent**
Bush

(10) **Patent No.:** **US D534,928 S**
(45) **Date of Patent:** **** Jan. 9, 2007**

(54) **PIVOTING RAIL-ENGAGING WHEELS**

(76) **Inventor:** **David E. Bush**, P.O. Box 9, Gary, TX
(US) 75643

(**) **Term:** **14 Years**

(21) **Appl. No.:** **29/227,361**

(22) **Filed:** **Apr. 11, 2005**

(51) **LOC (8) Cl.** **15-03**

(52) **U.S. Cl.** **D15/28**

(58) **Field of Classification Search** D12/36,
D12/41, 42, 45-48, 101; D15/28, 33; 410/52,
410/53, 9, 22, 66, 56-59; 105/159, 4.1, 90.2,
105/72.2, 215.2; 213/97, 183, 184; 414/495,
414/498; 180/906; 280/43.23

See application file for complete search history.

(56) **References Cited**

U.S. PATENT DOCUMENTS

D185,718 S	*	7/1959	Patton	D12/101
3,075,603 A	*	1/1963	Baudhuin	180/432
3,269,331 A	*	8/1966	Thompson	105/72.2
D251,901 S	*	5/1979	O'Lear	D12/46
D263,942 S	*	4/1982	Francis	D12/36
4,375,892 A	*	3/1983	Jenkins et al.	280/43.23
4,386,880 A	*	6/1983	Schimmeyer	410/56
4,534,297 A	*	8/1985	Johnson, Sr.	105/90.2
4,828,452 A	*	5/1989	Bolitho	414/718
D312,059 S	*	11/1990	Styles	D12/42
5,006,031 A	*	4/1991	Fossing et al.	414/458
5,145,307 A	*	9/1992	Smethwick et al.	414/458
D382,278 S	*	8/1997	Jantz	D15/28

5,800,114 A	*	9/1998	Secondi	414/458
6,193,086 B1	*	2/2001	Gunnlaugsson et al.	212/290
D456,583 S	*	4/2002	Schmidt	D34/28
D466,135 S	*	11/2002	Spomer et al.	D15/33
2003/0172837 A1	*	9/2003	Whiston et al.	105/215.2

* cited by examiner

Primary Examiner—Mitchell Siegel

Assistant Examiner—Mark Goodwin

(74) *Attorney, Agent, or Firm*—John M. Harrison

(57) **CLAIM**

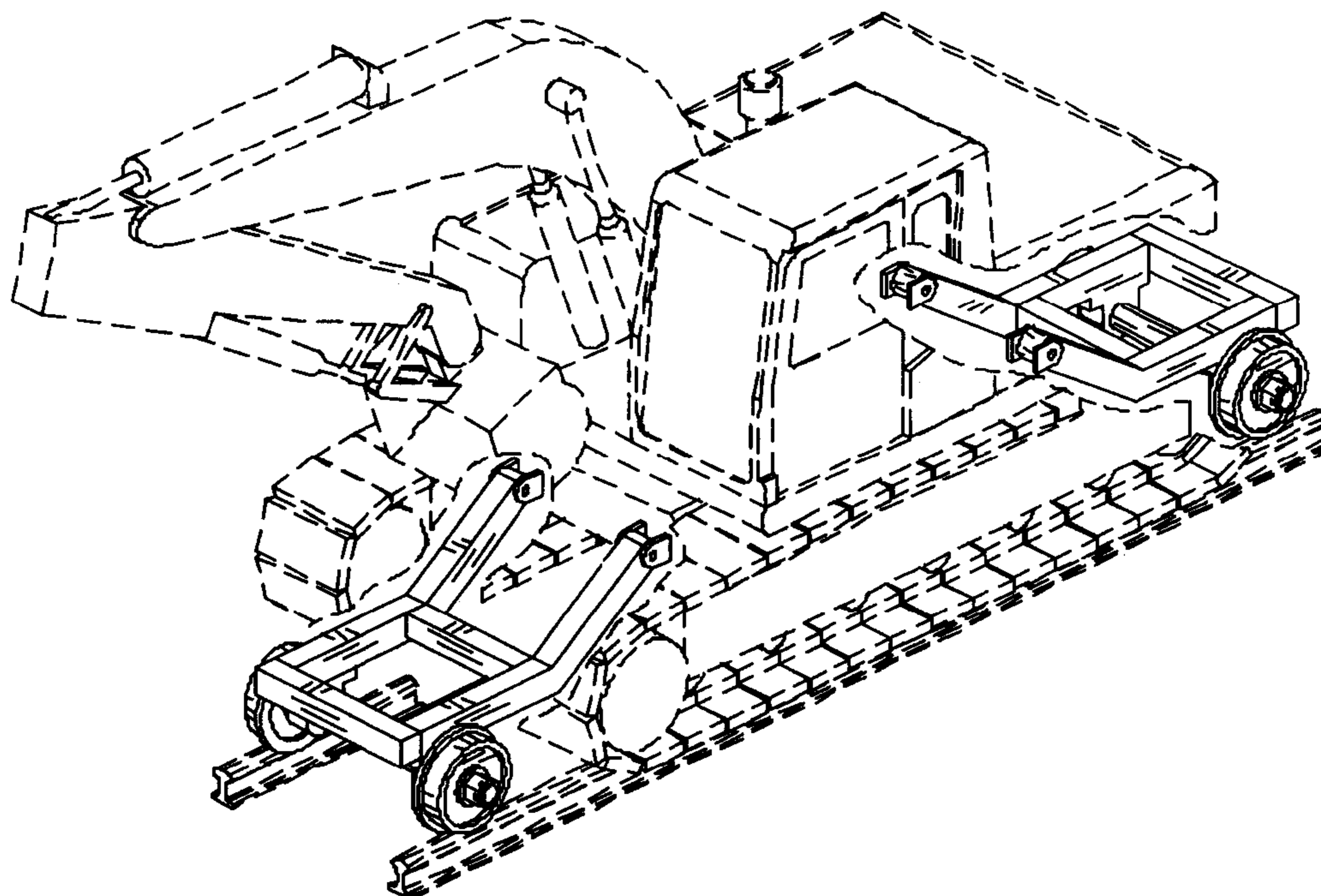
The ornamental design for pivoting rail-engaging wheels, as shown and described.

DESCRIPTION

FIG. 1 is a front perspective view of the pivoting rail-engaging wheels showing my new design in use condition; FIG. 2 is a rear perspective view thereof; FIG. 3 is a left side elevational view thereof; FIG. 4 is a right side elevational view thereof; FIG. 5 is a top view thereof; FIG. 6 is a bottom view thereof; FIG. 7 is a rear elevational view thereof; FIG. 8 is a front elevational view thereof; and, FIG. 9 is a left side elevational view of the pivoting rail-engaging wheels as illustrated in FIGS. 1-8 in non used condition.

The broken lines illustrating environmental structure are for illustrative purposes only and form no part of the claimed design.

1 Claim, 4 Drawing Sheets



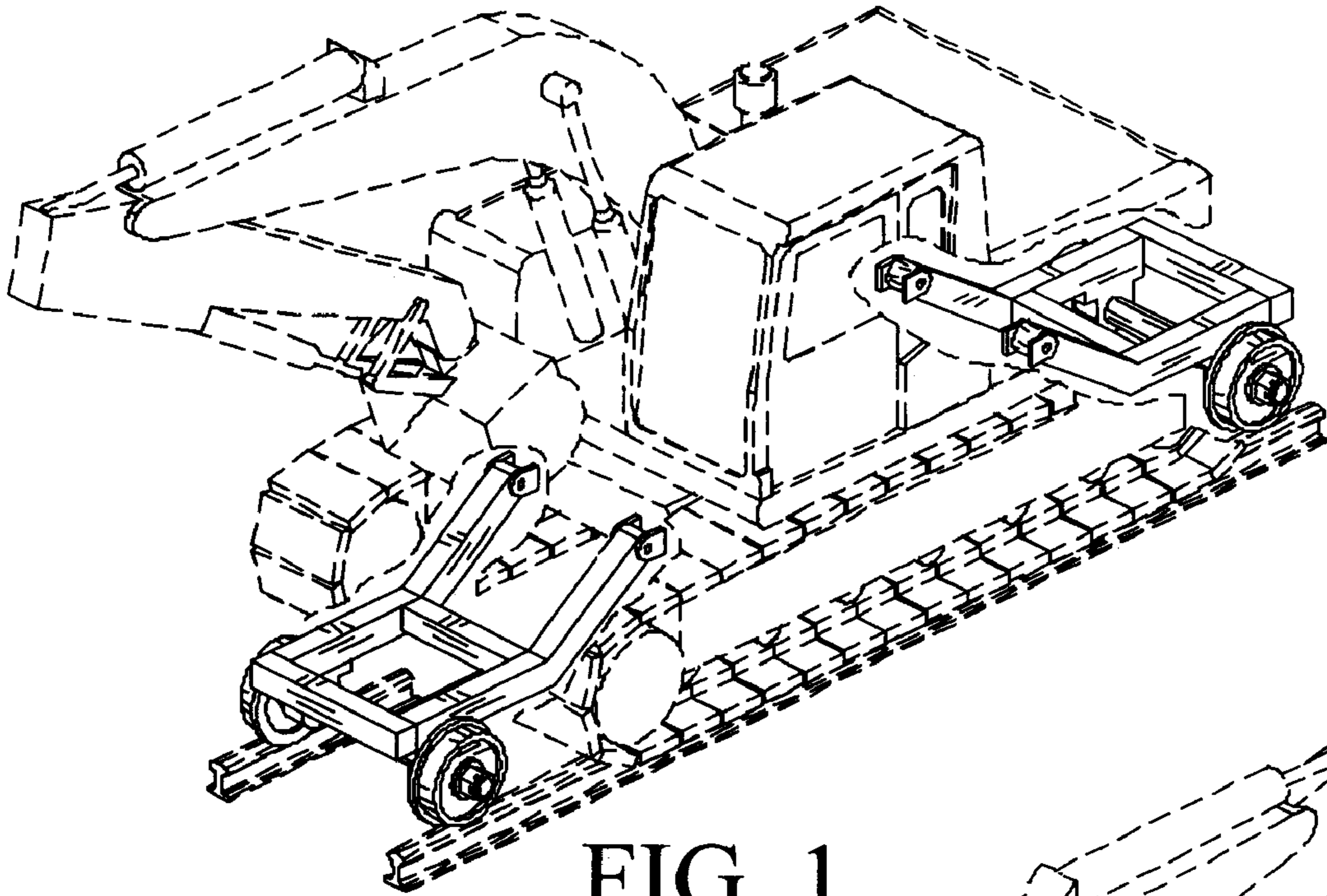


FIG. 1

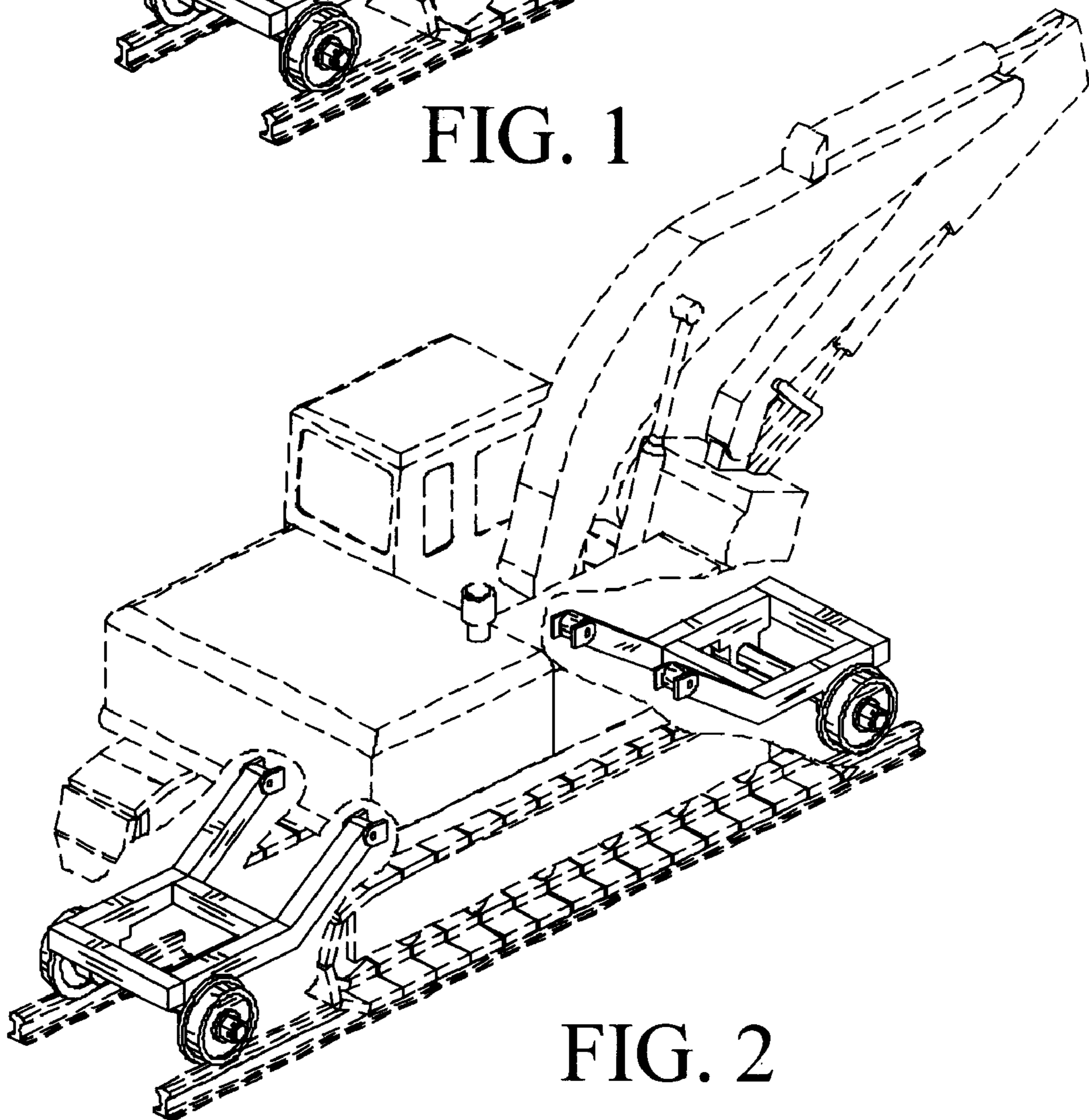


FIG. 2

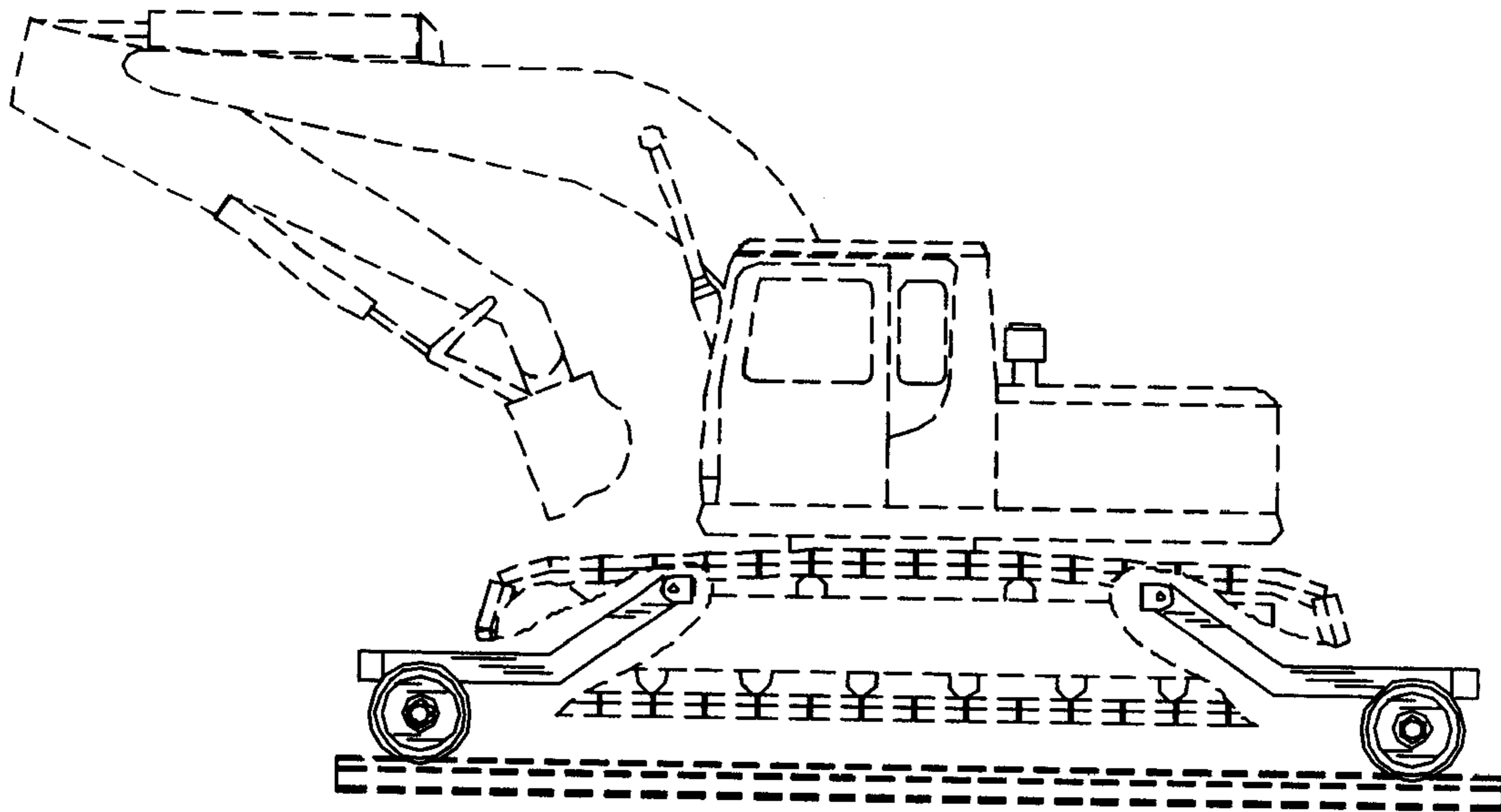


FIG. 3

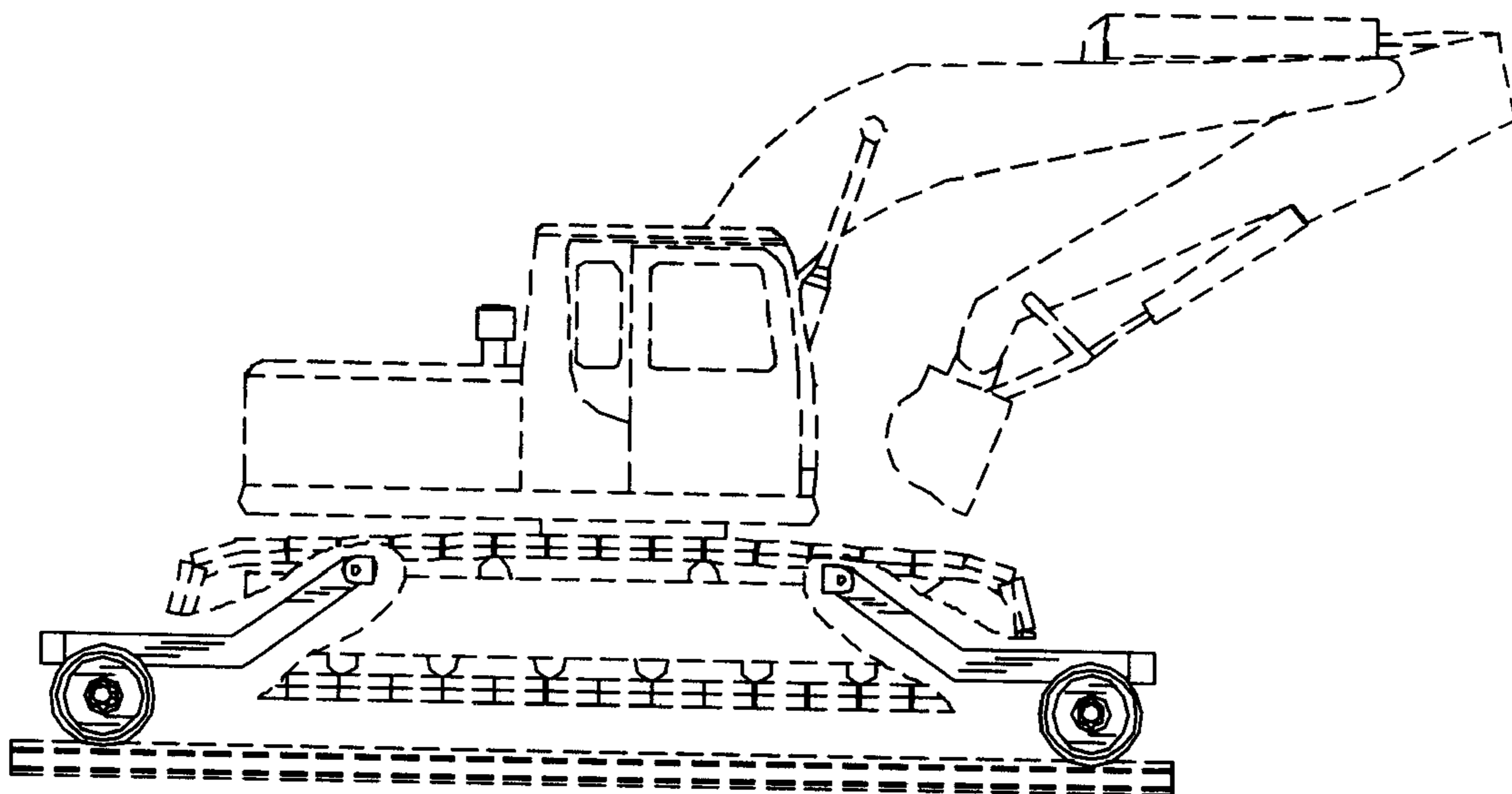


FIG. 4

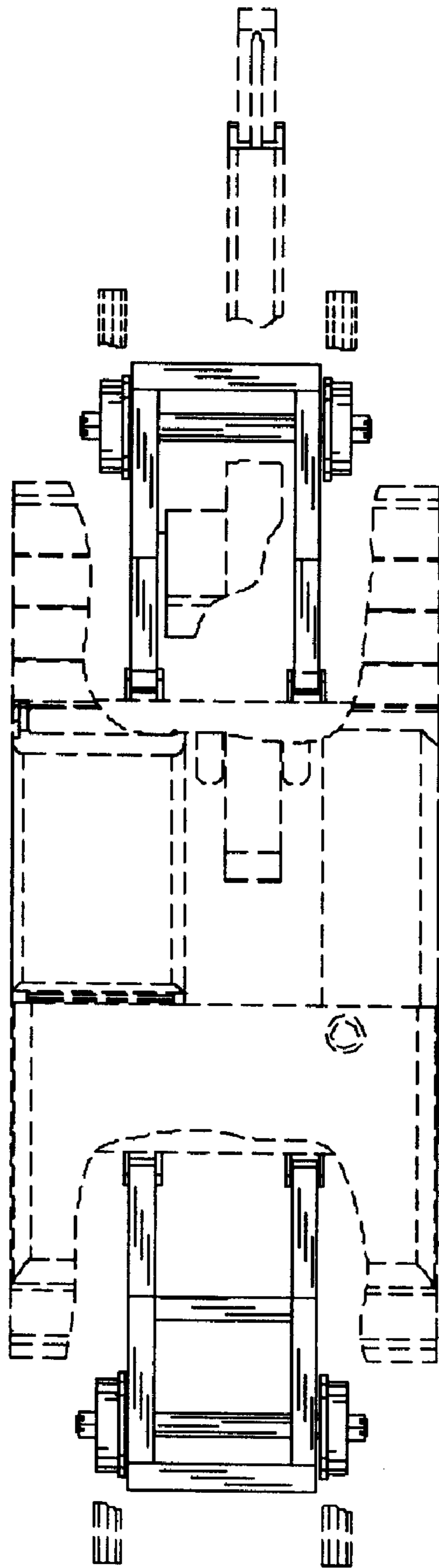


FIG. 5

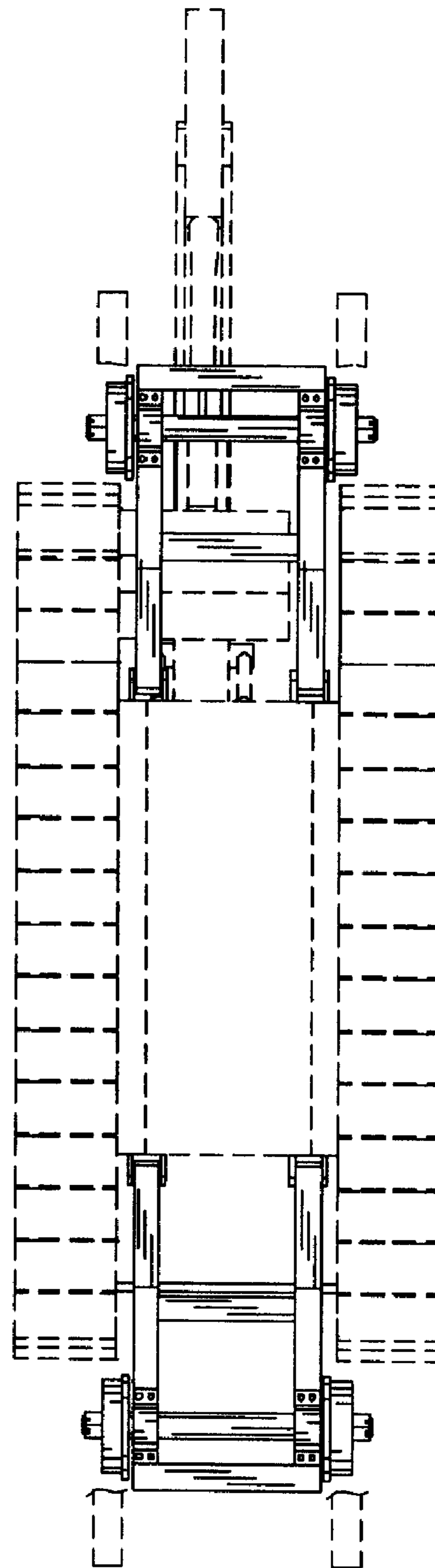


FIG. 6

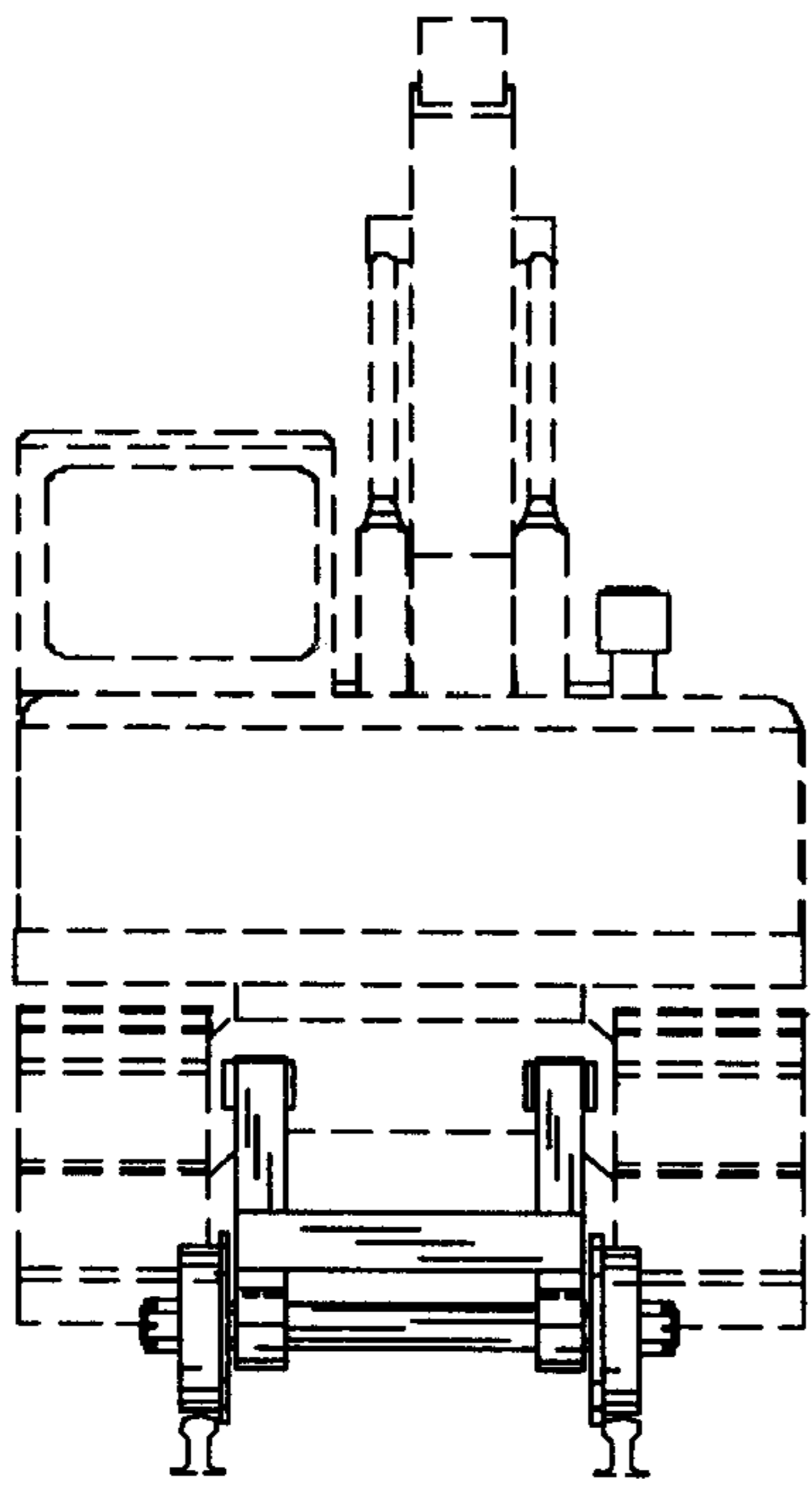


FIG. 7

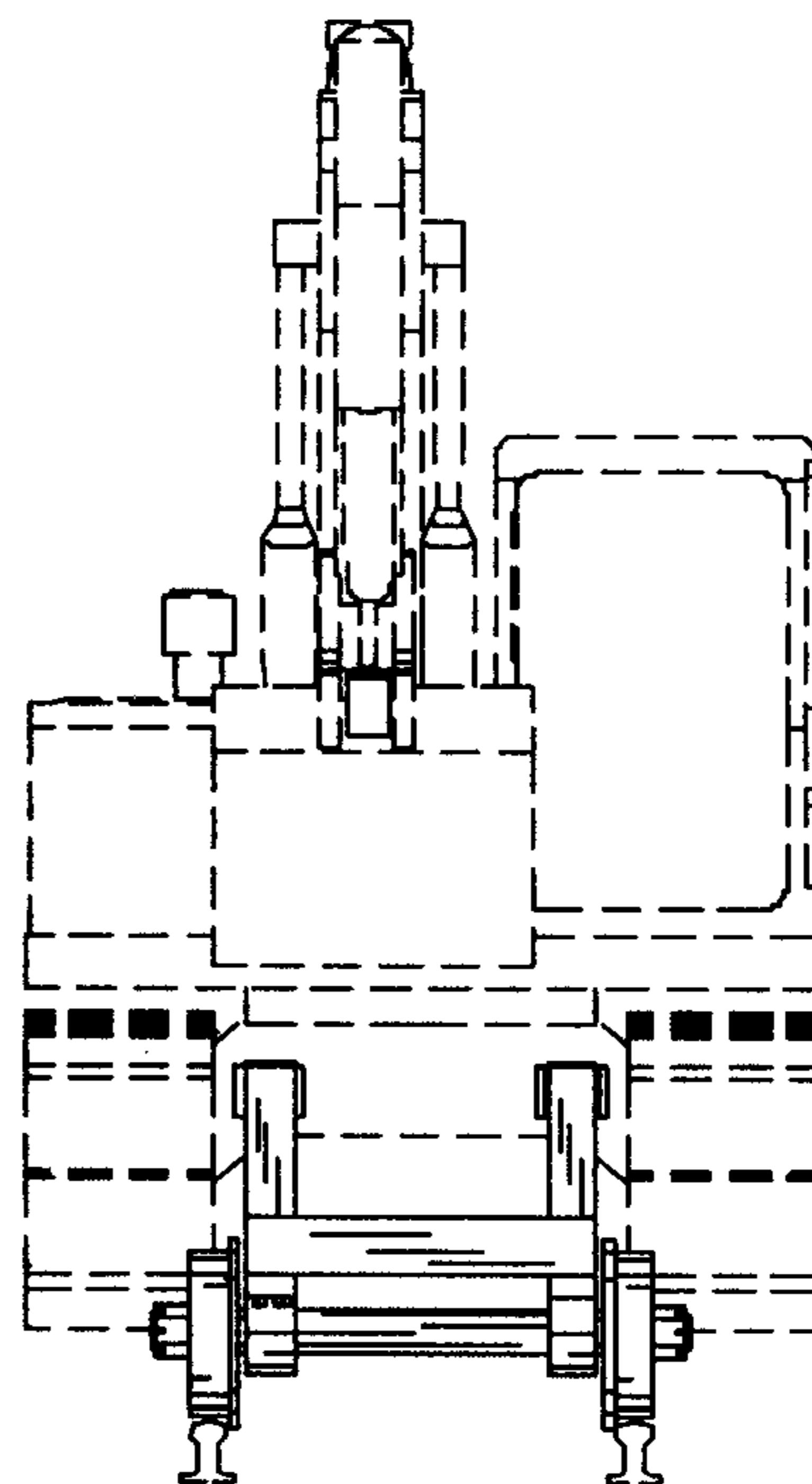


FIG. 8

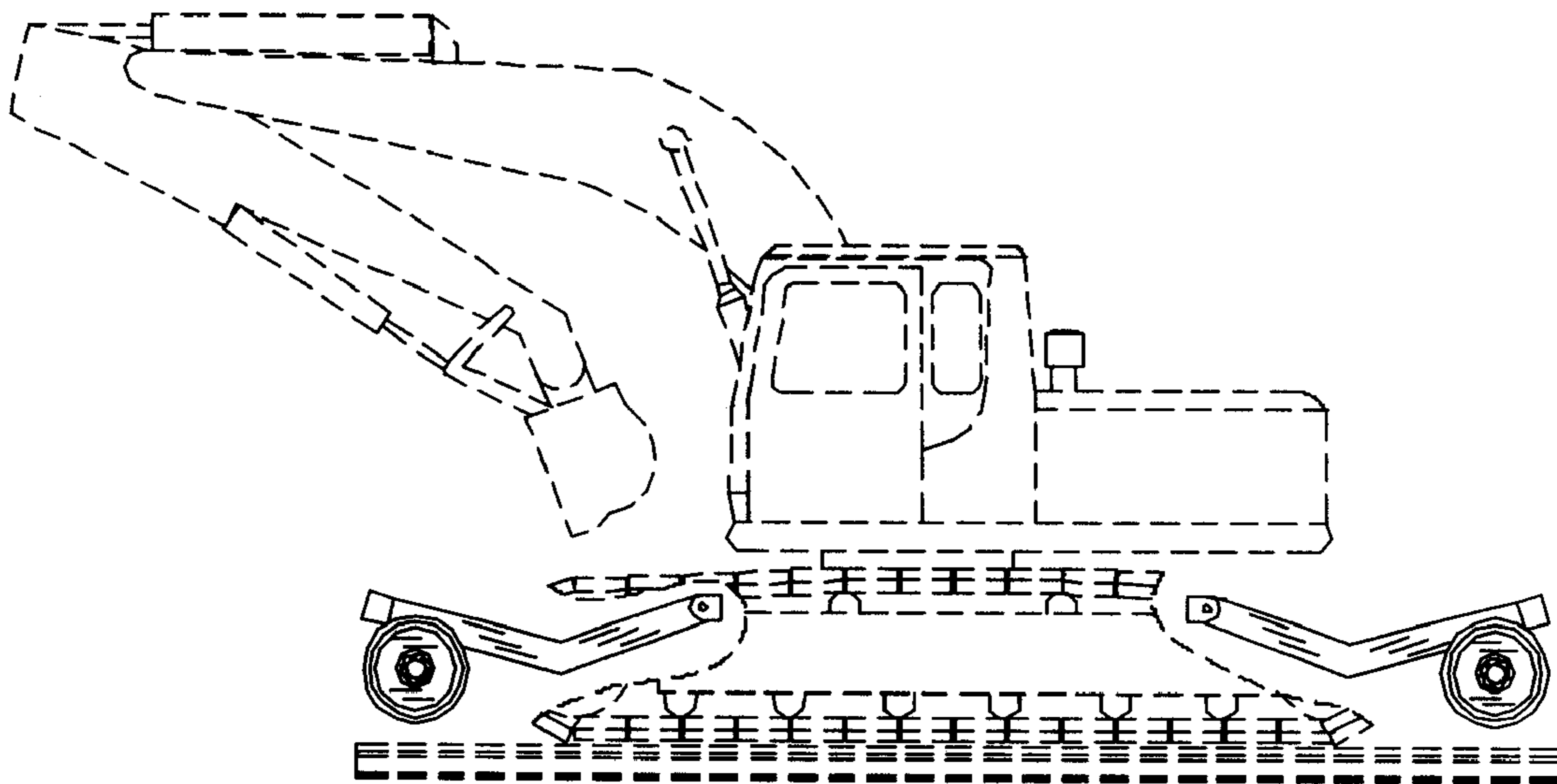


FIG. 9