



US00D534927S

(12) **United States Design Patent**  
**Mursch**

(10) **Patent No.:** **US D534,927 S**

(45) **Date of Patent:** **\*\* Jan. 9, 2007**

- (54) **CAB WALL FOR A VEHICLE**
- (75) Inventor: **Michael E Mursch**, Scheyern (DE)
- (73) Assignee: **Caterpillar Inc.**, Peoria, IL (US)
- (\*\*) Term: **14 Years**
- (21) Appl. No.: **29/217,256**
- (22) Filed: **Nov. 15, 2004**
- (51) **LOC (8) Cl.** ..... **15-03**
- (52) **U.S. Cl.** ..... **D15/28**
- (58) **Field of Classification Search** ..... D15/10,  
D15/22-26, 28, 30, 33, 31; D12/183, 184;  
180/89.1, 900, 89.12, 84; 56/DIG. 24; 296/193.05,  
296/191, 190.1; 292/338  
See application file for complete search history.

- D334,729 S \* 4/1993 Treadway ..... D12/183
- D384,358 S \* 9/1997 Smith ..... D15/30
- D398,616 S \* 9/1998 Kwak et al. .... D15/30
- 5,873,612 A \* 2/1999 Connor ..... 292/338
- D431,575 S \* 10/2000 Park ..... D15/25
- D497,920 S \* 11/2004 Antonetti ..... D15/30

\* cited by examiner

*Primary Examiner*—Stella Reid  
*Assistant Examiner*—Mark A. Goodwin  
(74) *Attorney, Agent, or Firm*—D. James Barnes

(56) **References Cited**

U.S. PATENT DOCUMENTS

- D245,698 S \* 9/1977 Skyer et al. .... D15/30
- D258,823 S \* 4/1981 Skyer et al. .... D15/30
- D259,424 S \* 6/1981 Puig ..... D15/30
- D297,329 S \* 8/1988 Monehaie et al. .... D15/30
- D304,589 S \* 11/1989 Lanphere et al. .... D15/30
- D321,517 S \* 11/1991 Katoh et al. .... D15/30
- 5,076,637 A \* 12/1991 Larkin et al. .... 296/190.1

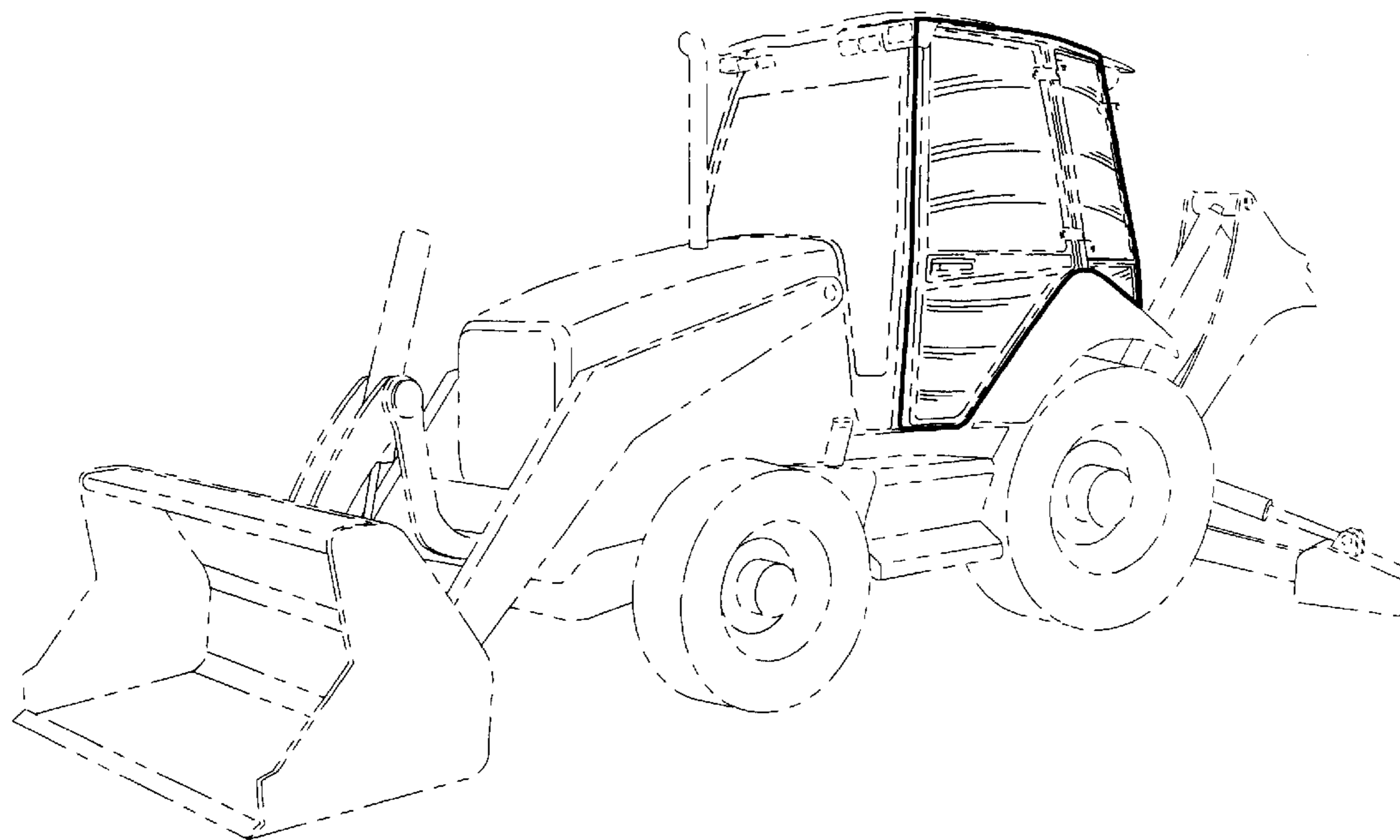
(57) **CLAIM**

The ornamental design for a cab wall for a vehicle, as substantially shown and described.

**DESCRIPTION**

FIG. 1 is a perspective view of a left-side cab wall for a vehicle showing our new design;  
FIG. 2 is a front view thereof;  
FIG. 3 is a right side view thereof; and,  
FIG. 4 is a left side view thereof.  
The right-side cab wall for a vehicle is a mirror image of the design shown in FIGS. 1-6.  
The broken lines showing various features are for illustrative, environmental purposes only and form no part of the claimed design.

**1 Claim, 4 Drawing Sheets**



**FIG. 1.**

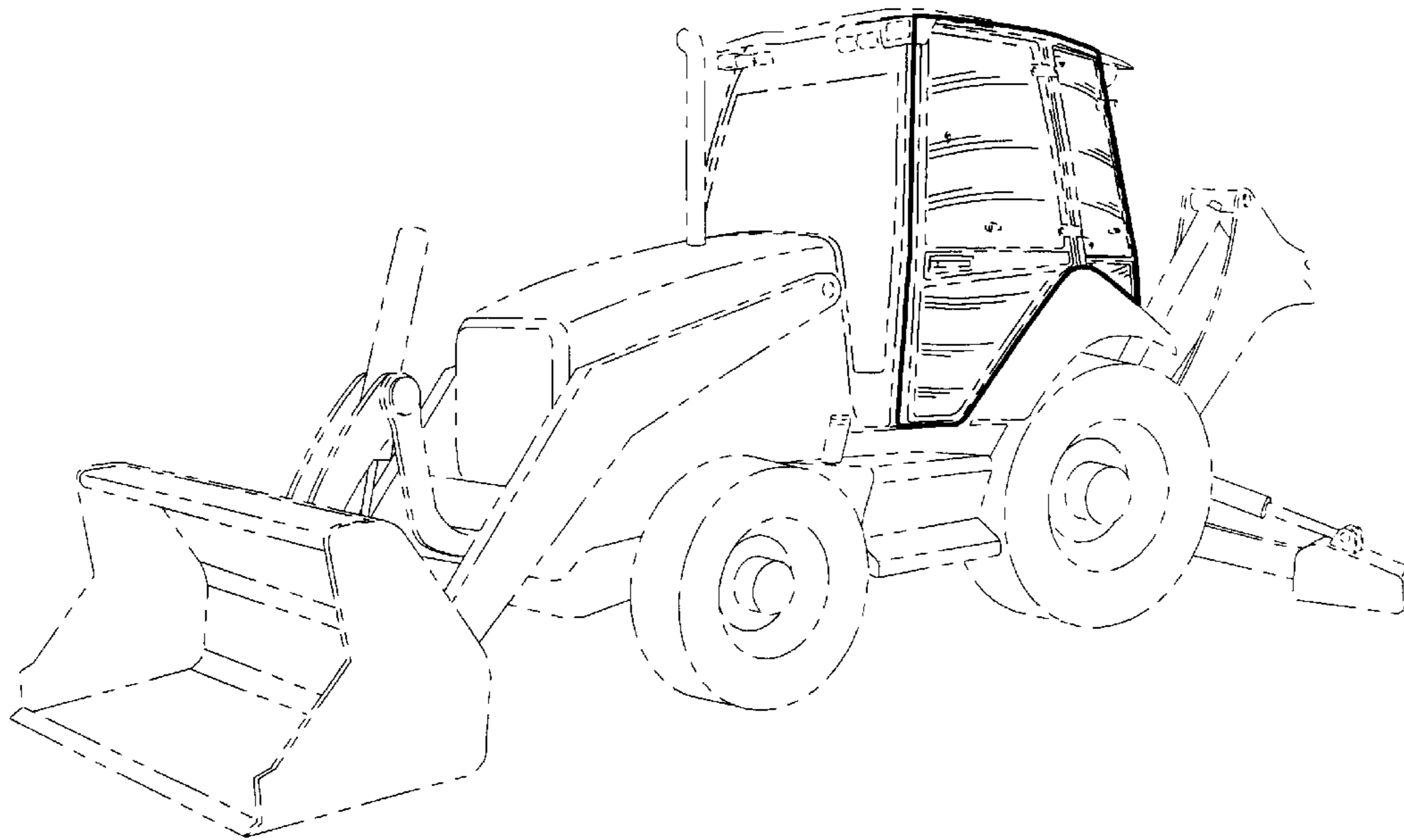


FIG. 2.

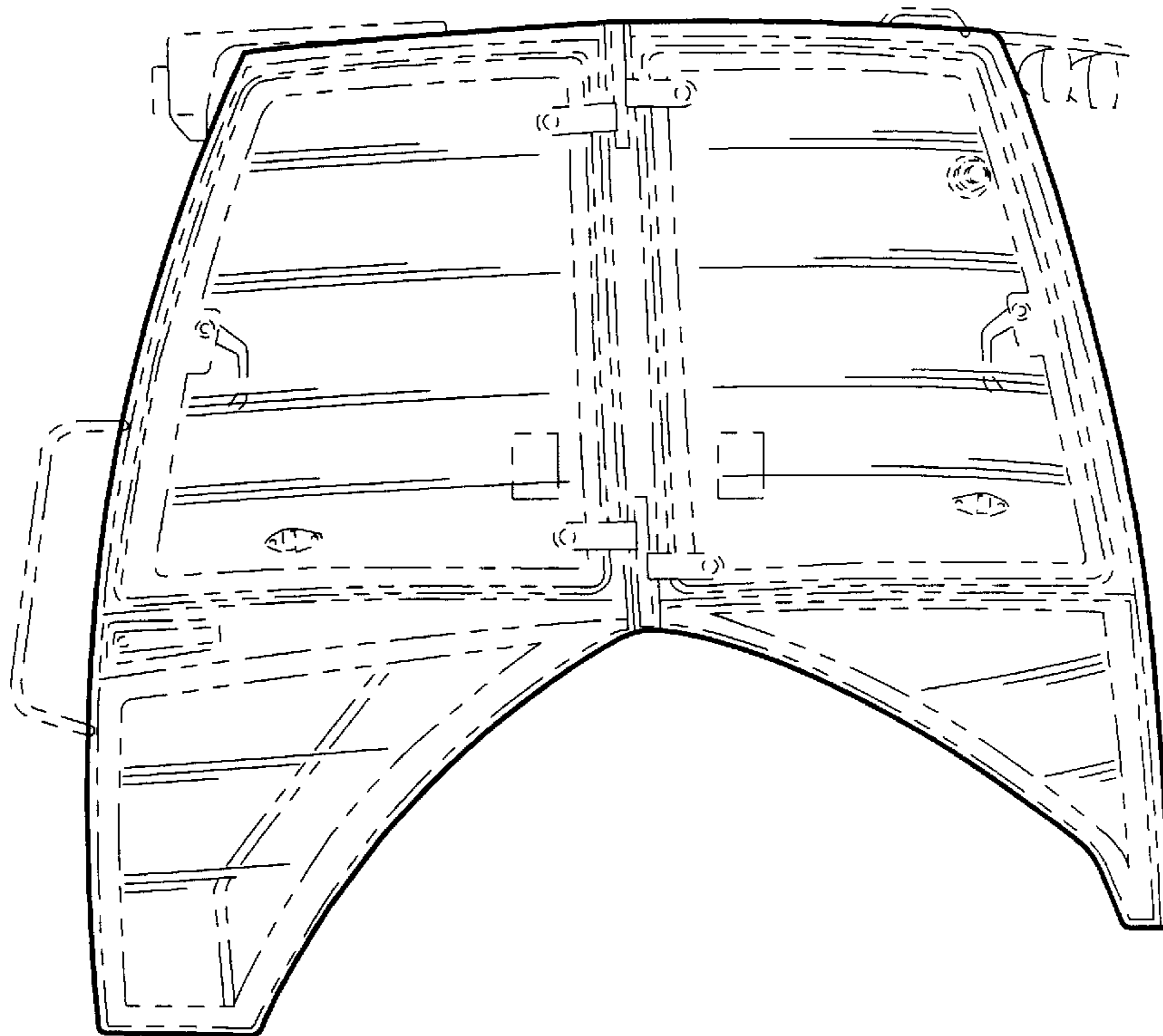
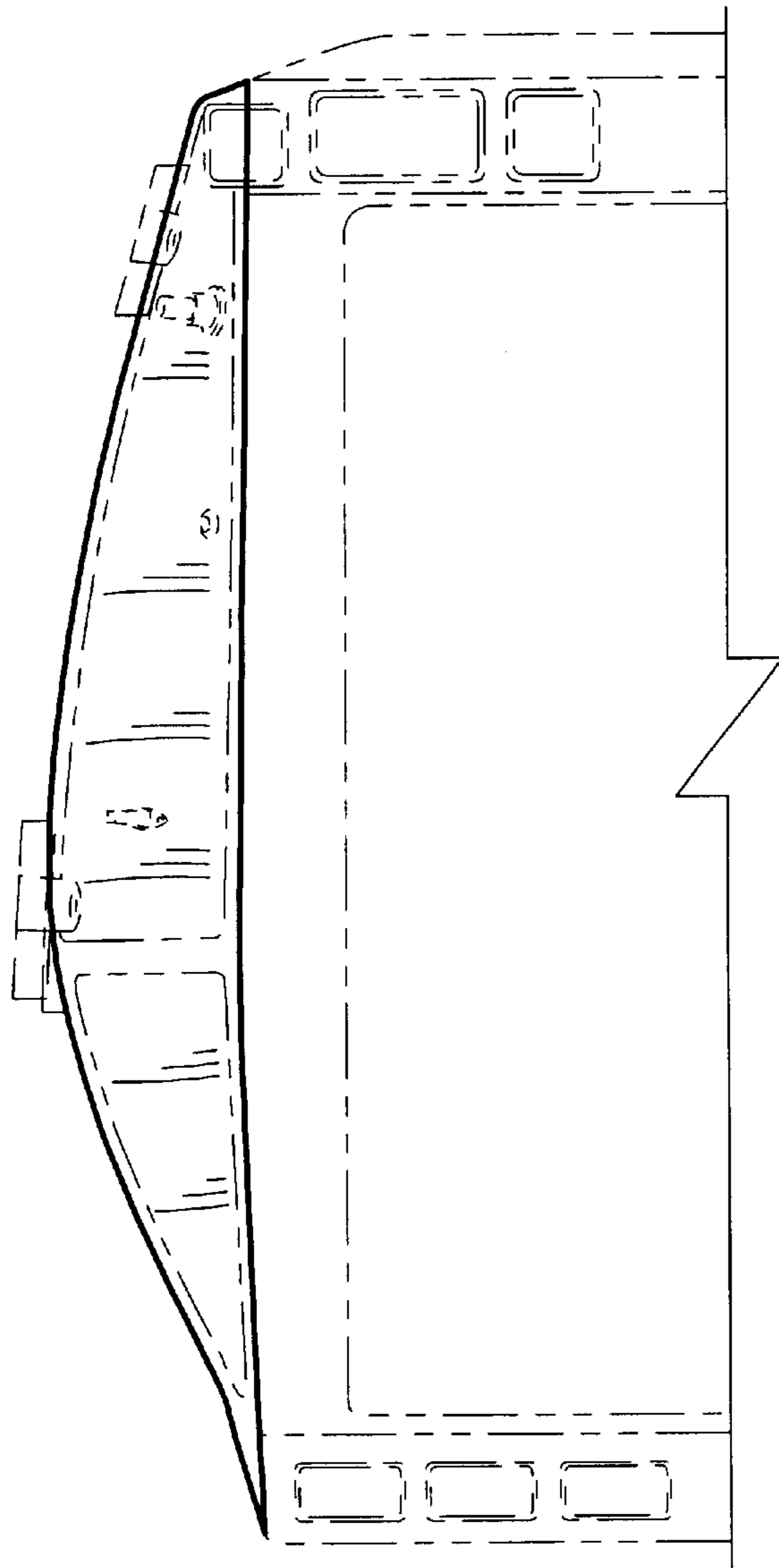


FIG. 3.



**FIG. 4.**

