



US00D534924S

(12) **United States Design Patent** (10) **Patent No.:** **US D534,924 S**
Aglassinger (45) **Date of Patent:** **** Jan. 9, 2007**

(54) **TURBO IMPELLER**

(75) Inventor: **Hans-Peter Aglassinger**, Esslingen (DE)

(73) Assignee: **Robert Bosch GmbH**, Stuttgart (DE)

(**) Term: **14 Years**

(21) Appl. No.: **29/228,786**

(22) Filed: **Apr. 28, 2005**

(30) **Foreign Application Priority Data**

Feb. 4, 2005 (DE) 4 05 00 654

(51) **LOC (8) Cl.** **15-02**

(52) **U.S. Cl.** **D15/9; D15/7**

(58) **Field of Classification Search** D15/7-9,
D15/140, 146, 199; 15/330, 331, 405; 415/148;
417/321, 410, 413.1, 415, 423.3, 486, 521,
417/534

See application file for complete search history.

(56) **References Cited**

U.S. PATENT DOCUMENTS

D398,011 S	*	9/1998	Wang	D15/9
6,141,824 A	*	11/2000	Fujiwara et al.	15/330
D480,093 S	*	9/2003	Attolini	D15/9
D498,769 S	*	11/2004	Chou	D15/9
D499,426 S	*	12/2004	Chou	D15/7

* cited by examiner

Primary Examiner—Antoine D. Davis

Assistant Examiner—Patricia Palasik

(74) *Attorney, Agent, or Firm*—Michael J. Striker

(57) **CLAIM**

The ornamental design for a turbo impeller, as shown and described.

DESCRIPTION

The claimed design relates to a combination air blower and vacuumer for household use and for use with hand tools. Certain hand tools are operated on air pressure and the turbo impeller creates the air pressure to operate such tools. Additionally, the turbo impeller may be used for household purposes such as blowing up air mattresses and the like or creating air pressure for the removal of dust on small surfaces. The turbo impeller is also capable of switching to a vacuuming mode in which it can be used to vacuum wood, chips or metal particles created during a cutting or sanding process.

FIG. 1 is a top perspective view of a turbo-impeller as showing my new design;

FIG. 2 is a front view thereof;

FIG. 3 is a bottom view thereof;

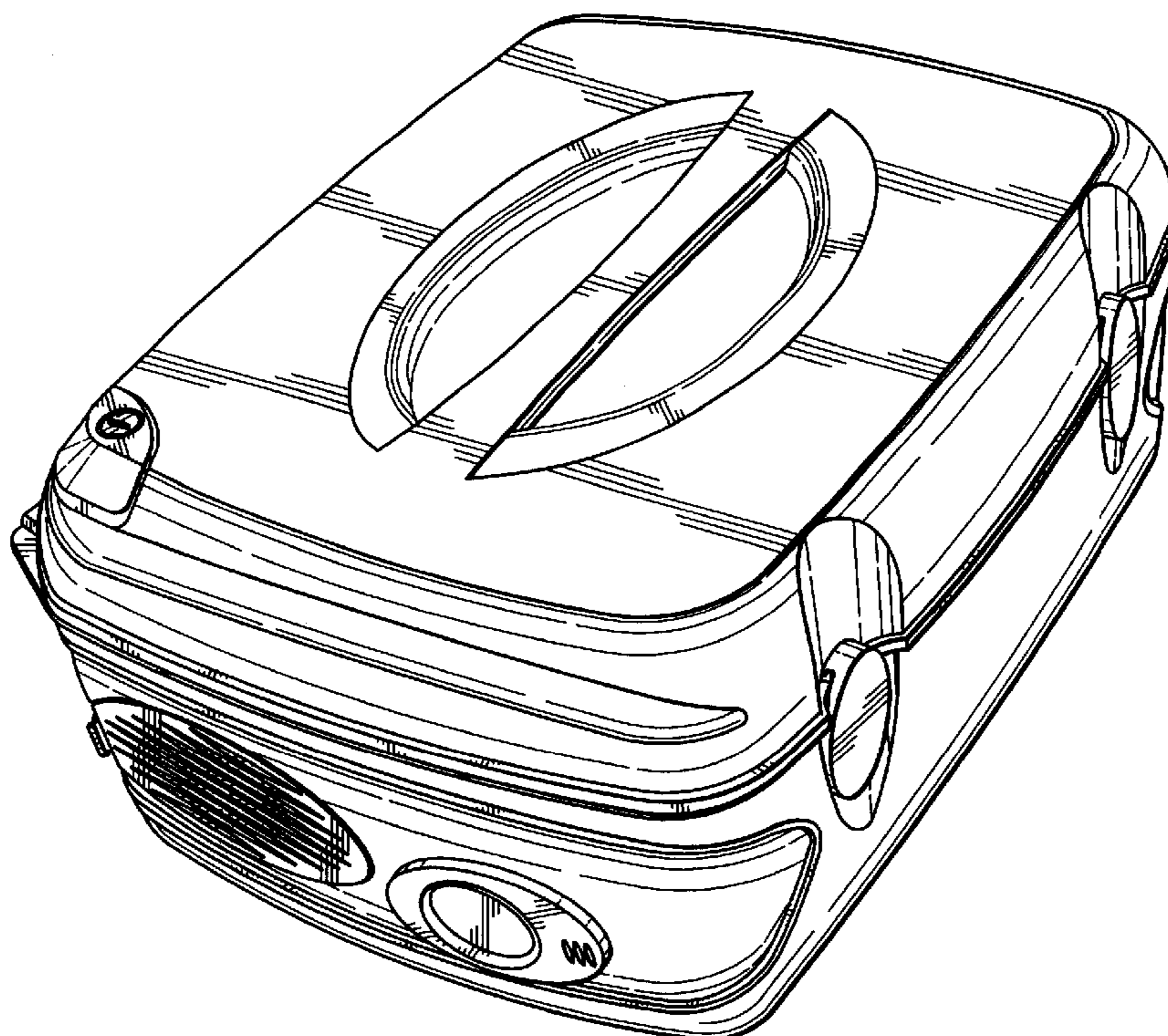
FIG. 4 is a rear view thereof;

FIG. 5 is a top view thereof;

FIG. 6 is a side view thereof; and,

FIG. 7 is the opposite side view of FIG. 6.

1 Claim, 7 Drawing Sheets



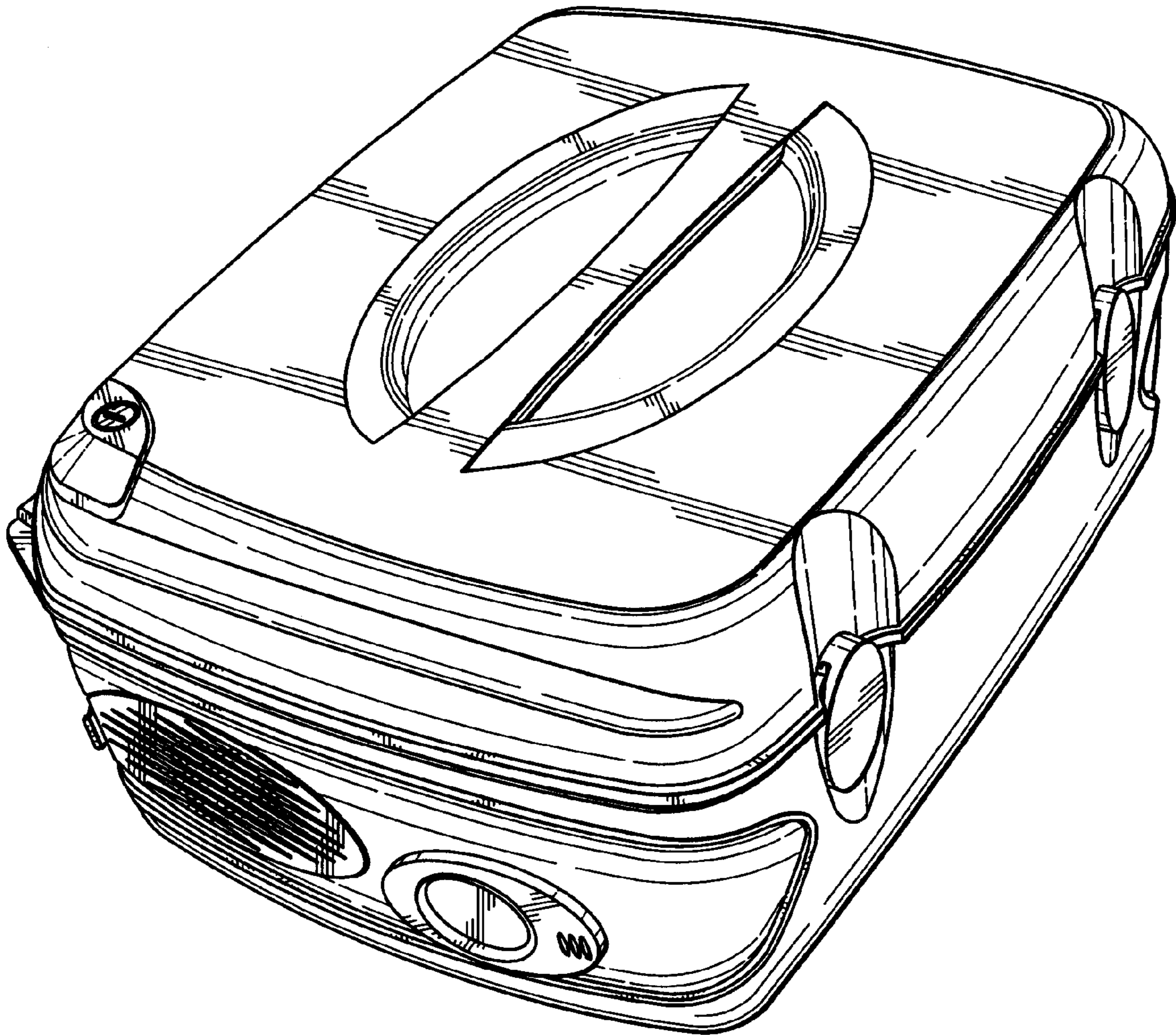


Fig. 1

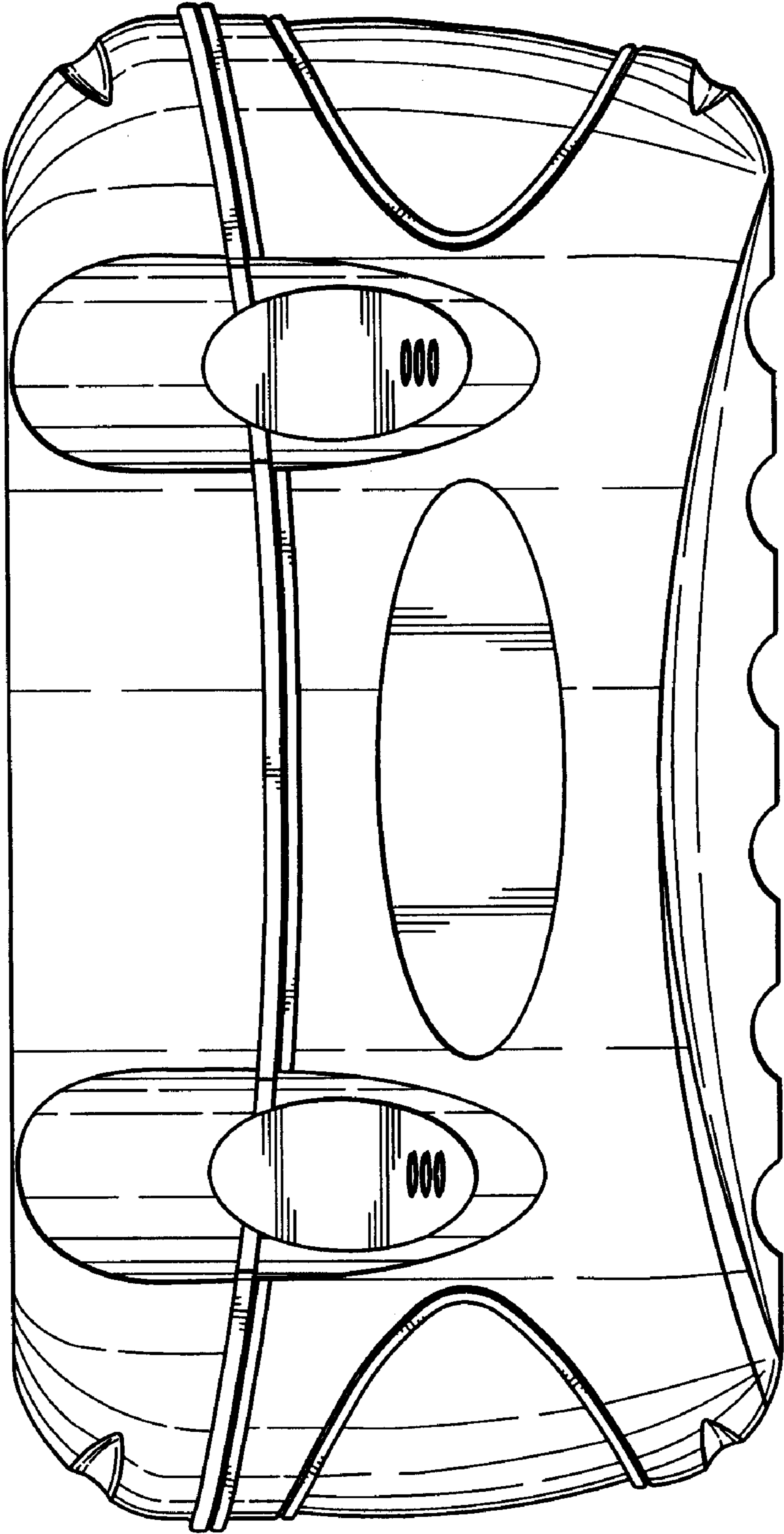


Fig. 2

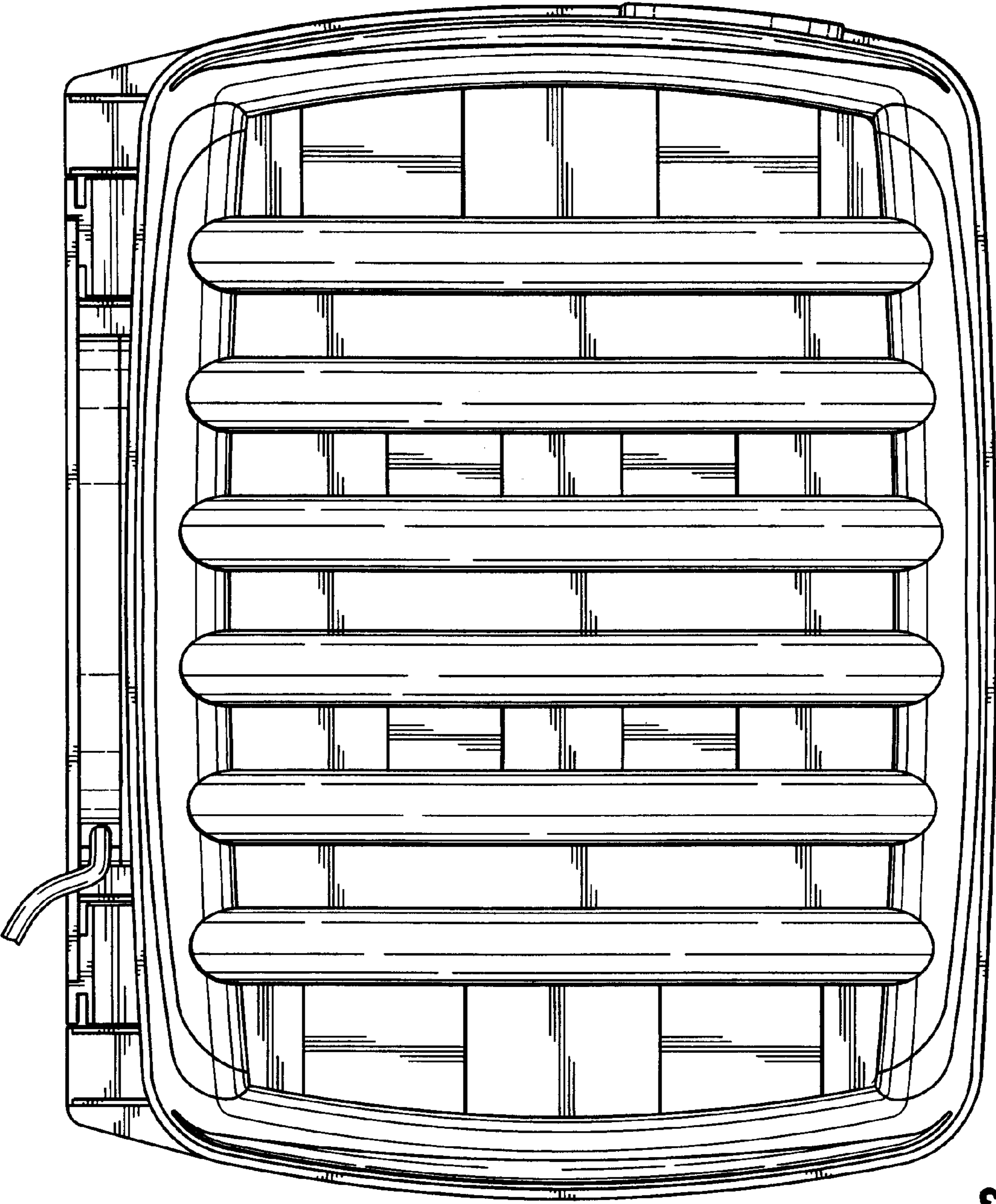


Fig. 3

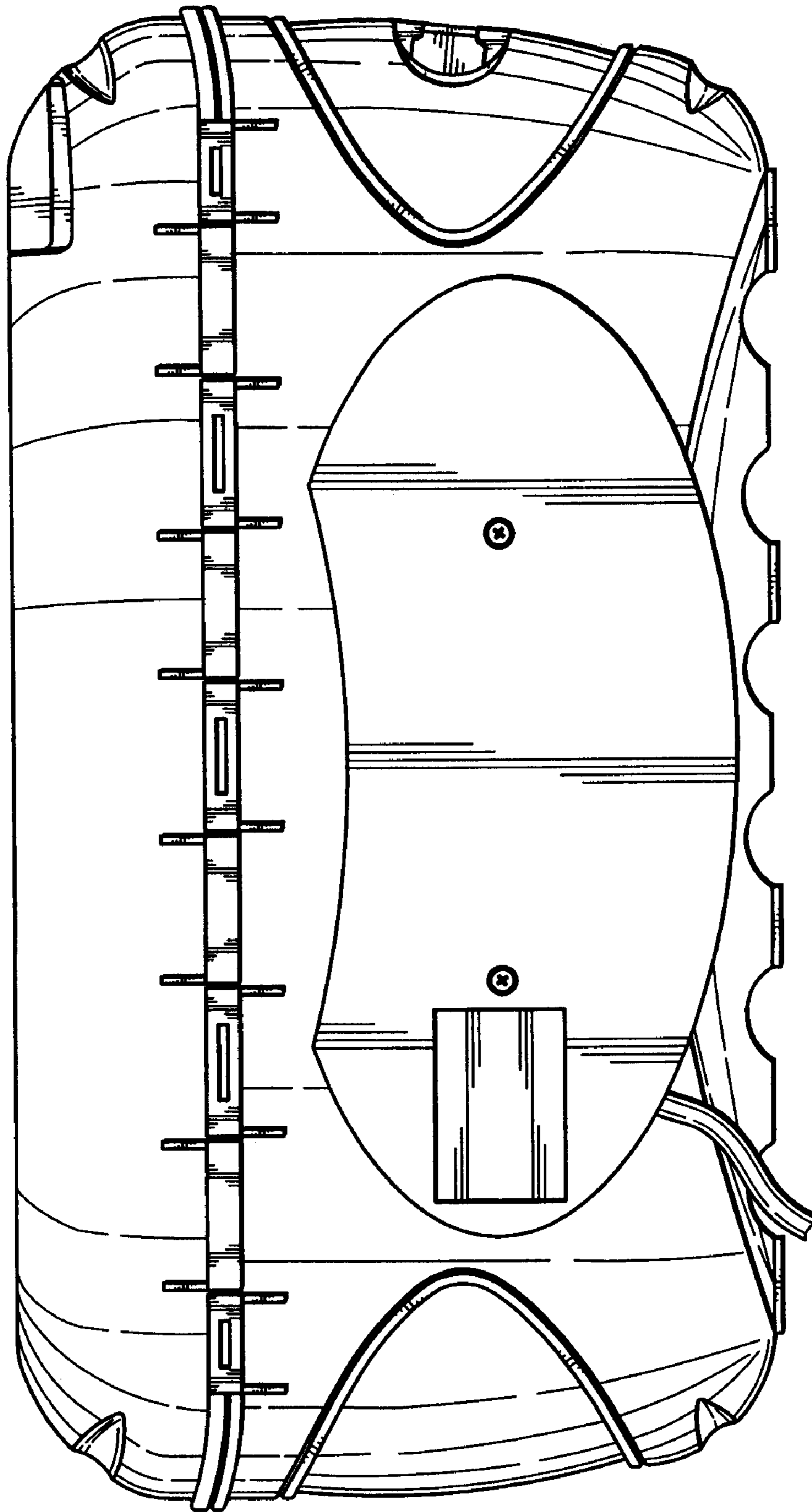


Fig. 4

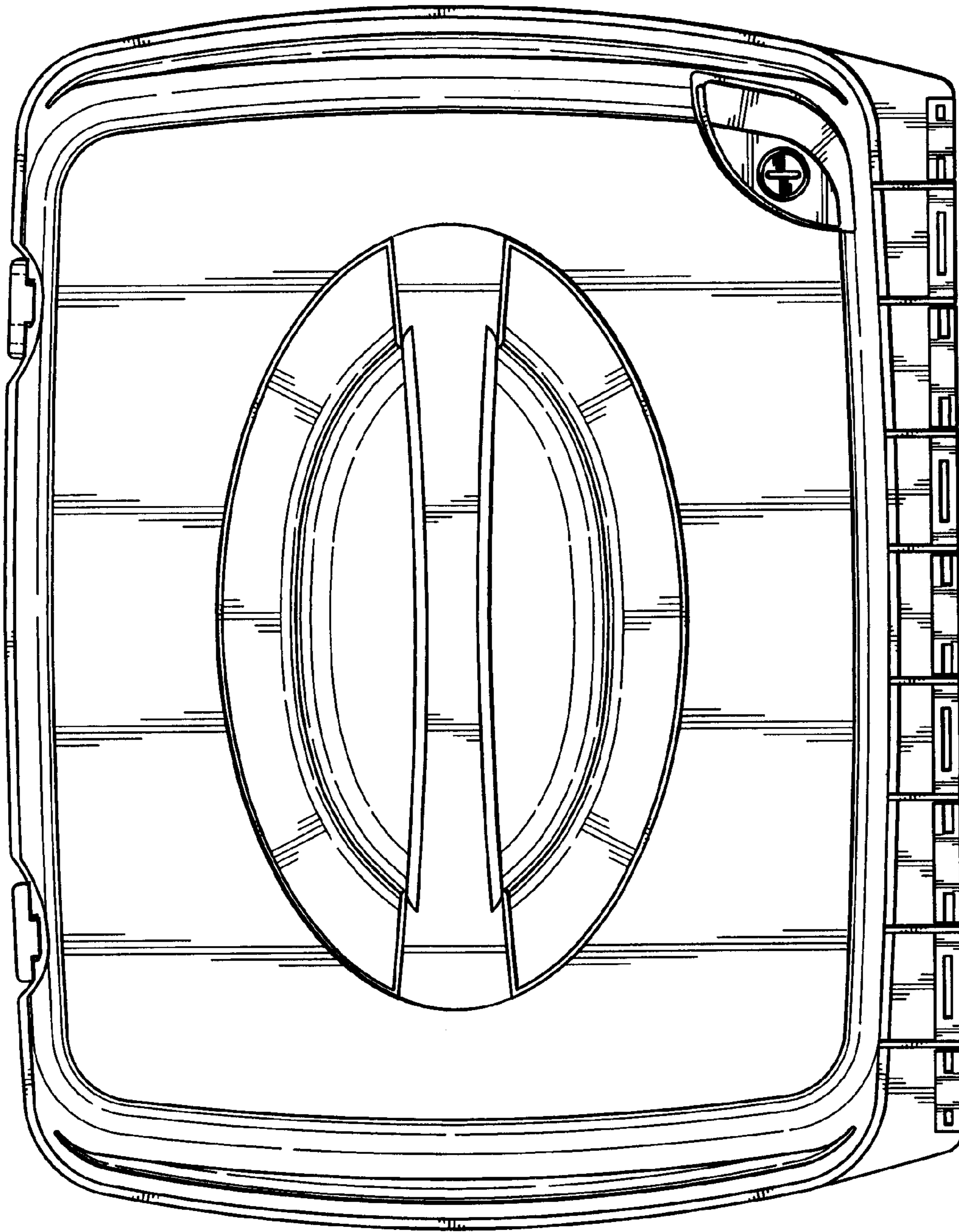


Fig. 5

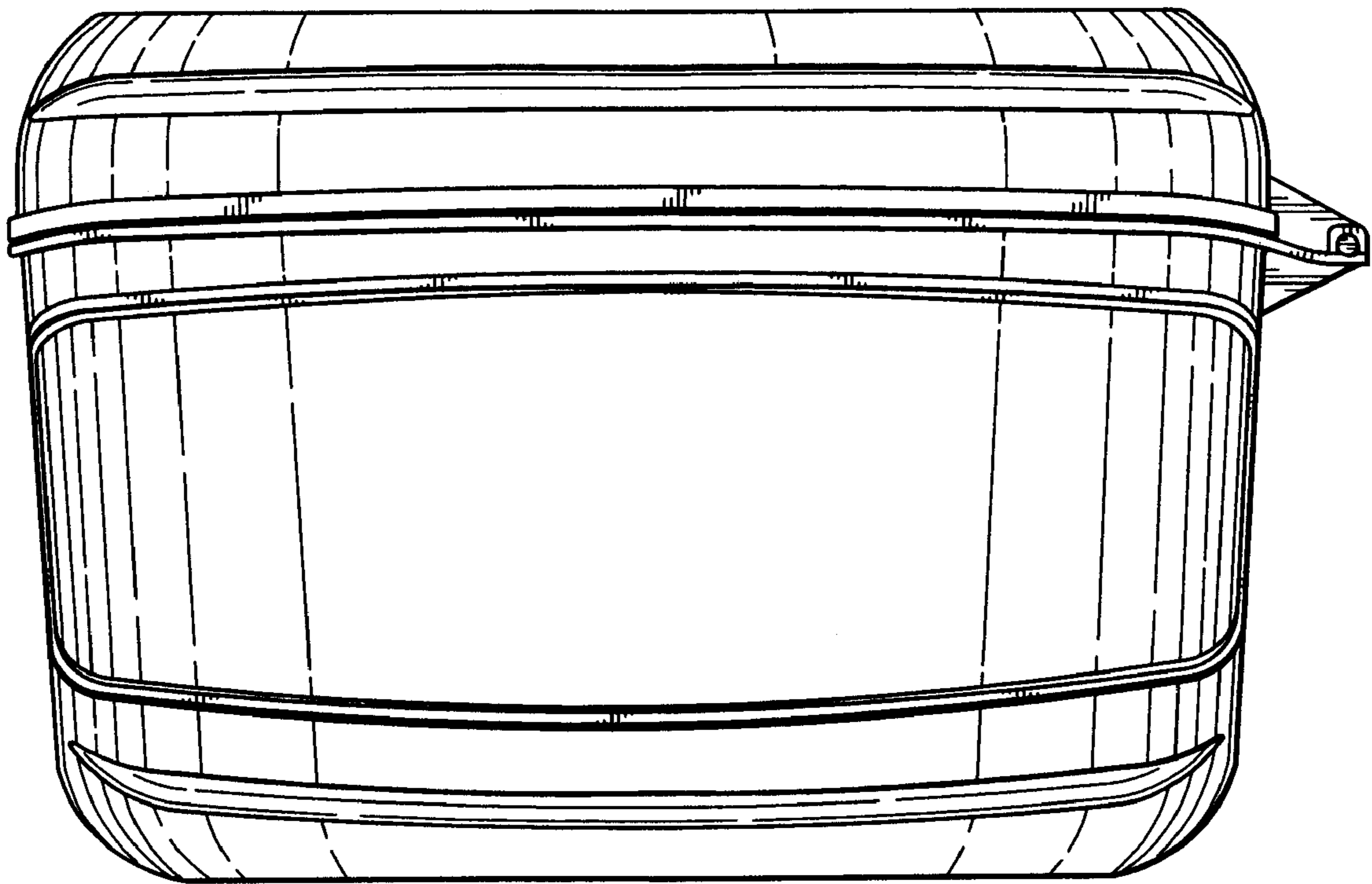


Fig. 6

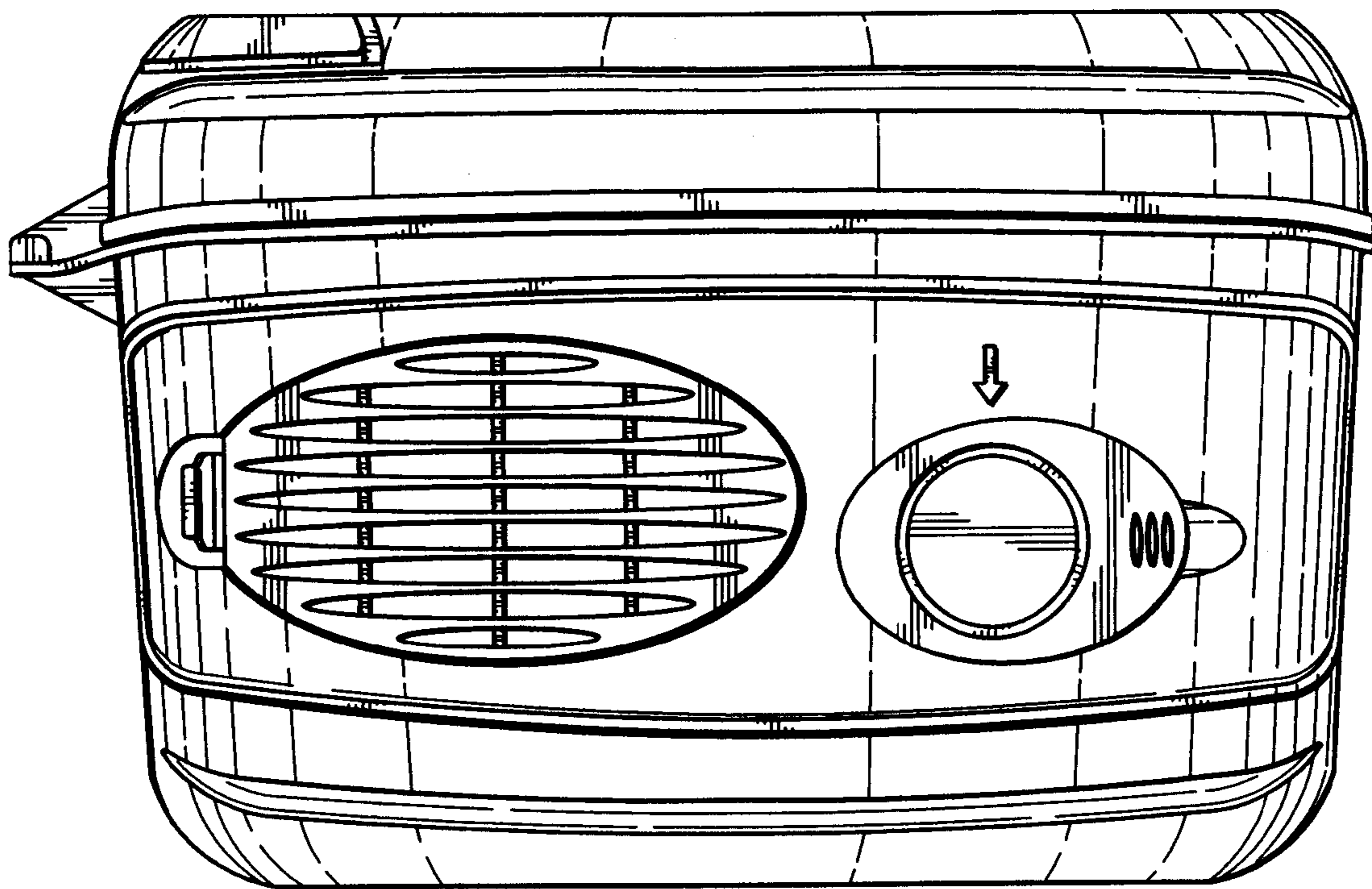


Fig. 7