

US00D534922S

(12) **United States Design Patent**  
**Liang et al.**

(10) **Patent No.:** **US D534,922 S**  
(45) **Date of Patent:** **\*\* Jan. 9, 2007**

(54) **PORTABLE MEDIA PLAYER**  
(75) Inventors: **Li-Ni Liang**, Shenzhen (CN); **Wen-Jie Bao**, Shenzhen (CN)  
(73) Assignee: **Hon Hai Precision Industry Co. Ltd**, Taipei Hsien (TW)  
(\*\*) Term: **14 Years**

D513,267 S \* 12/2005 Chen ..... D14/496  
D514,589 S \* 2/2006 Chen ..... D14/496  
D515,546 S \* 2/2006 Mu ..... D14/156  
D521,524 S \* 5/2006 Chang ..... D14/496

\* cited by examiner

*Primary Examiner*—Prabhakar Deshmukh  
(74) *Attorney, Agent, or Firm*—Jeffrey T. Knapp

(21) Appl. No.: **29/237,181**  
(22) Filed: **Aug. 26, 2005**

(57) **CLAIM**

The ornamental design for a portable media player, as shown and described.

(51) **LOC (8) Cl.** ..... **14-03**  
(52) **U.S. Cl.** ..... **D14/496**  
(58) **Field of Classification Search** ..... D14/496,  
D14/137, 138, 155, 156, 160, 168, 173, 188,  
D14/265; 455/3.01, 3.06, 90.1–90.3, 347–351;  
369/6–12, 75.11; 345/156.1, 903, 905; 340/539.11,  
340/825.25; 710/1, 8, 62–68, 72–74  
See application file for complete search history.

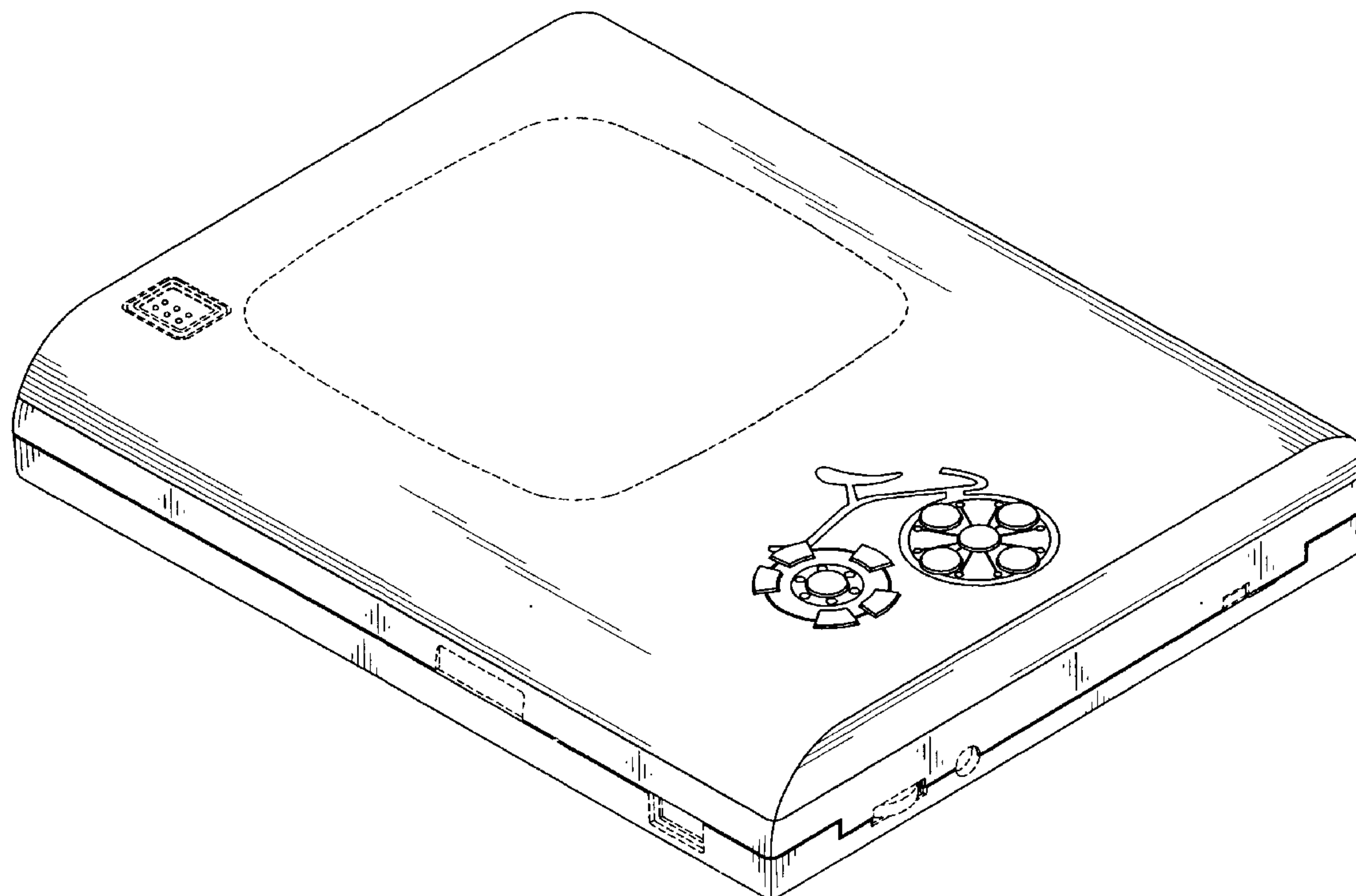
**DESCRIPTION**

FIG. 1 is a perspective view of a portable media player showing our new design;  
FIG. 2 is a front view thereof;  
FIG. 3 is a rear view thereof;  
FIG. 4 is a left side elevational view thereof;  
FIG. 5 is a right side elevational view thereof;  
FIG. 6 is a top plan view thereof;  
FIG. 7 is a bottom plan view thereof;  
FIG. 8 is a top, front and right side perspective view showing the article with a cover thereof in a released position; and,  
FIG. 9 is a top, front and right side perspective view showing the article with a cover thereof in a released position and a remote controller thereof taken out.  
The broken line showing of a portable media player in the views is for illustrative environmental purposes only and forms no part of the claimed design.

(56) **References Cited**  
U.S. PATENT DOCUMENTS

5,396,340 A \* 3/1995 Ishii et al. .... 386/106  
6,307,535 B1 \* 10/2001 Kim et al. .... 345/157  
6,400,351 B1 \* 6/2002 Ishizawa et al. .... 345/156  
6,507,338 B1 \* 1/2003 Liao et al. .... 345/173  
6,639,577 B1 \* 10/2003 Eberhard ..... 345/102  
6,671,567 B1 \* 12/2003 Dwyer et al. .... 700/94  
D484,918 S \* 1/2004 Okada et al. .... D21/330  
D494,190 S \* 8/2004 Hong et al. .... D14/496

**1 Claim, 7 Drawing Sheets**



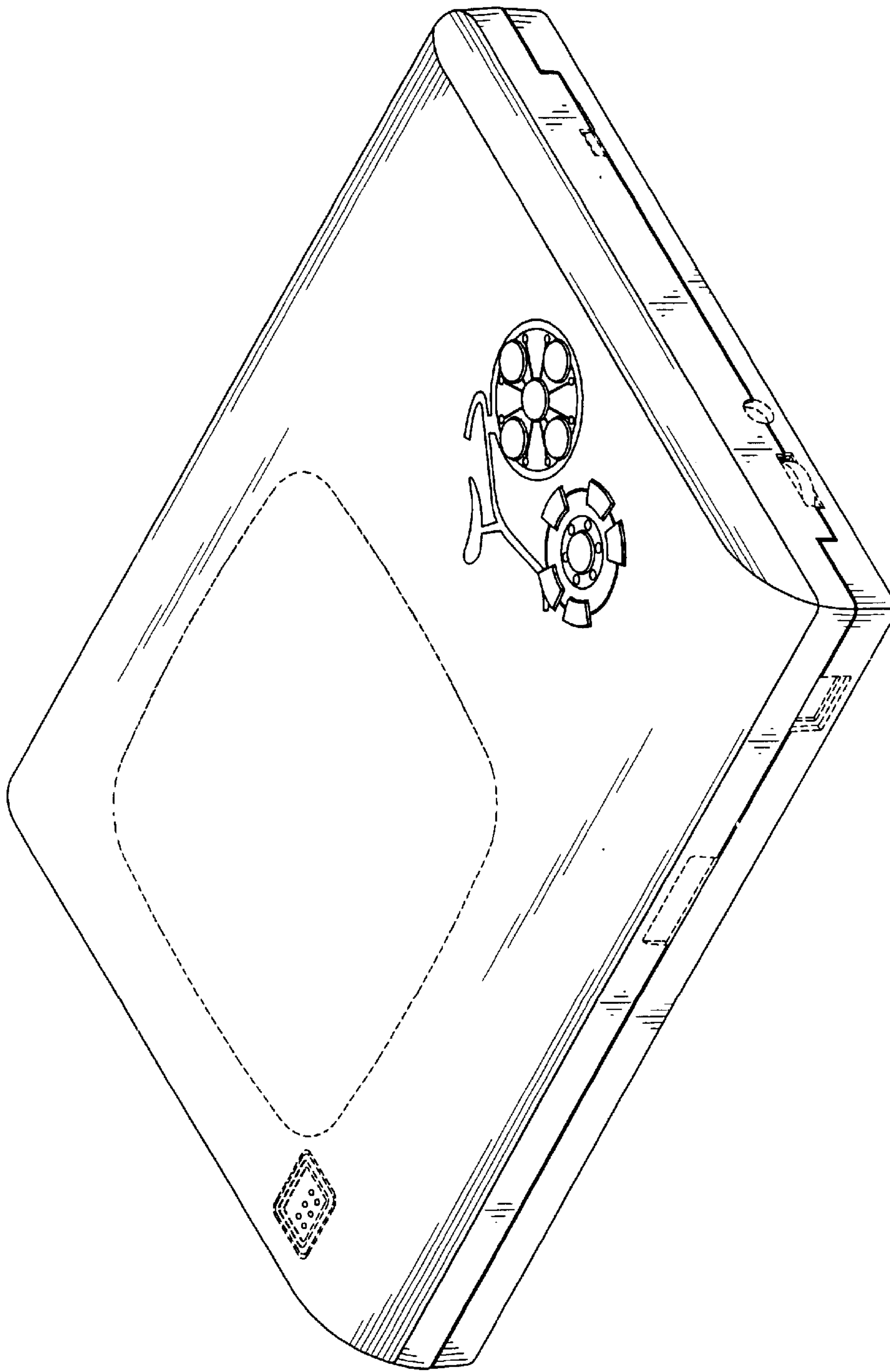


FIG. 1

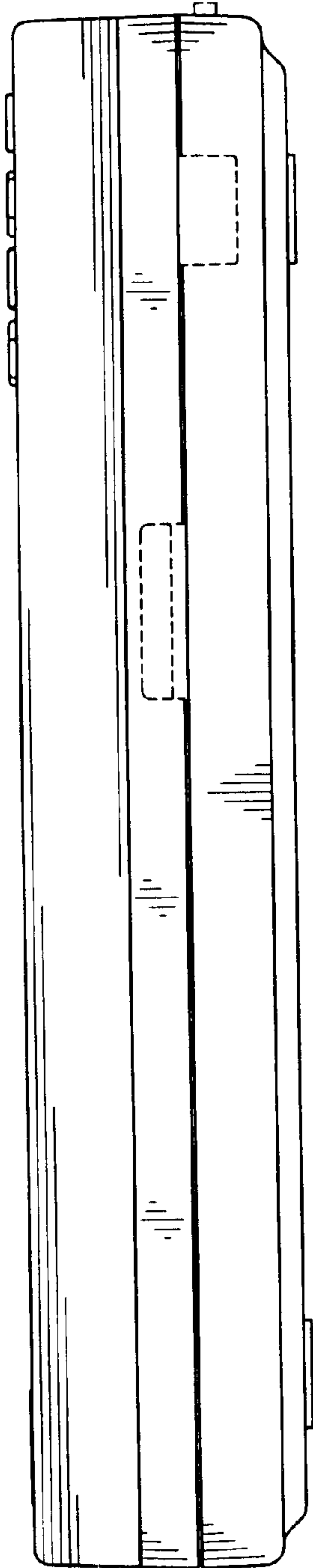


FIG. 2

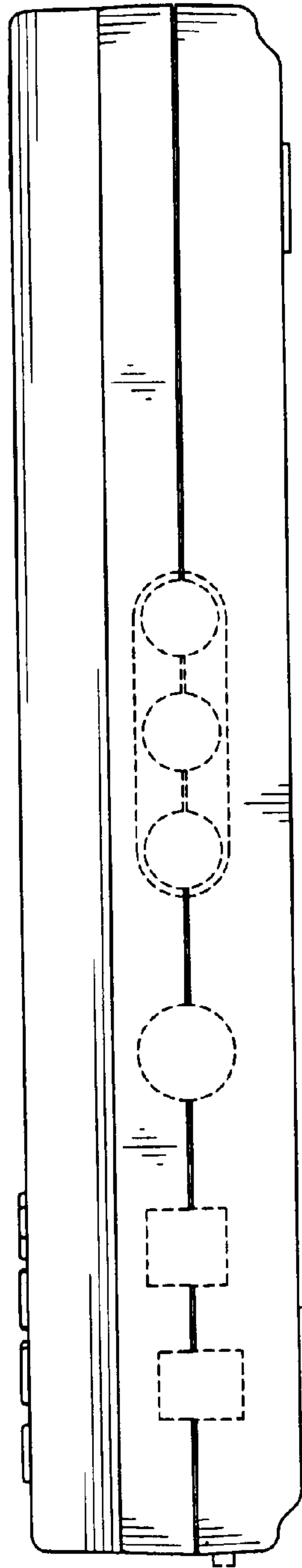


FIG. 3

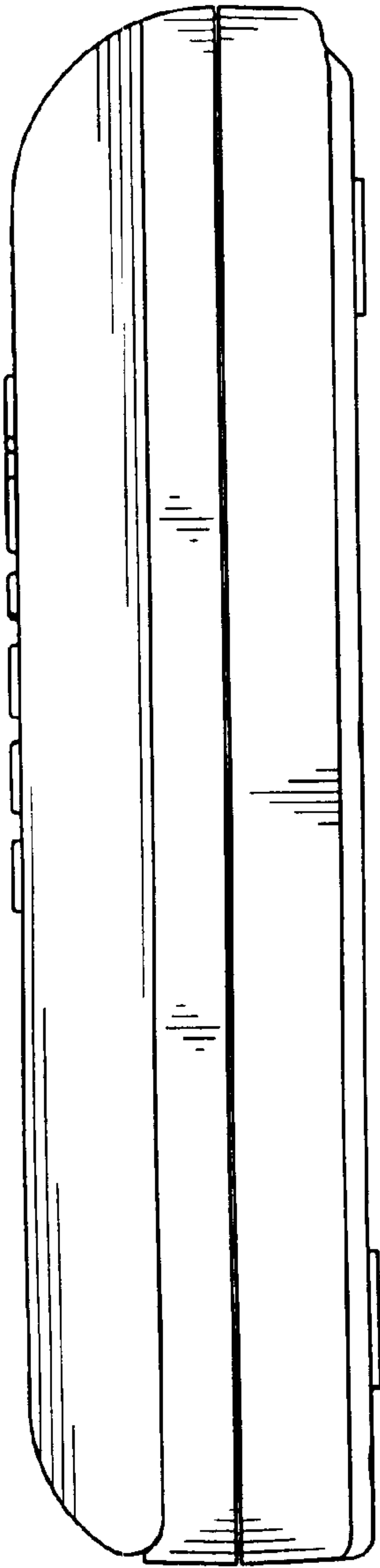


FIG. 4

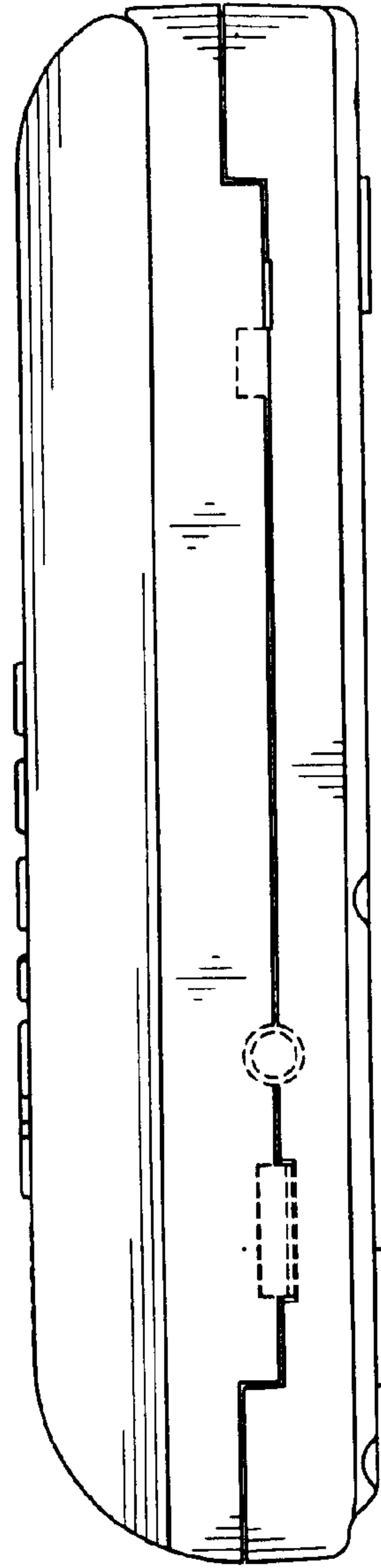


FIG. 5

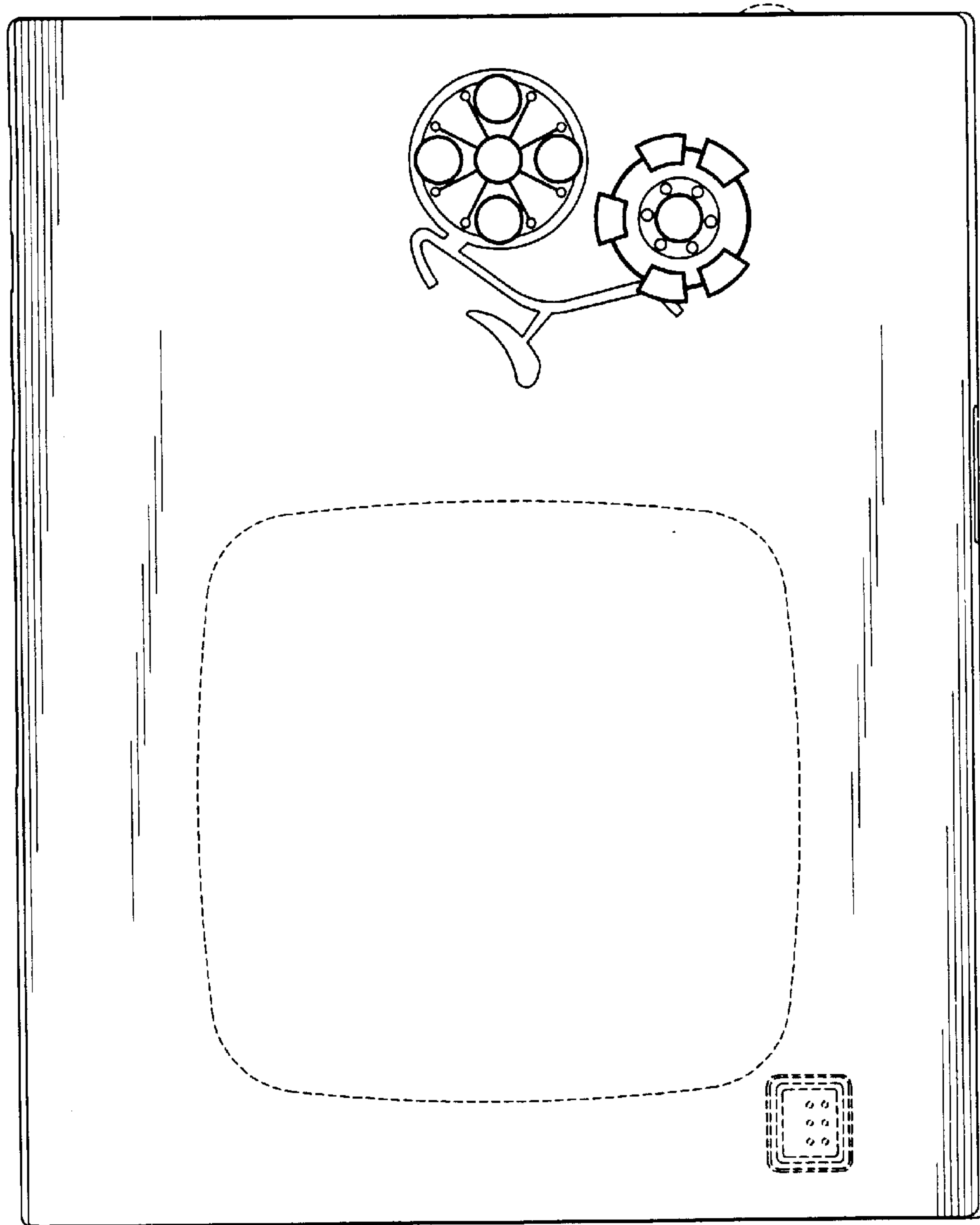


FIG. 6

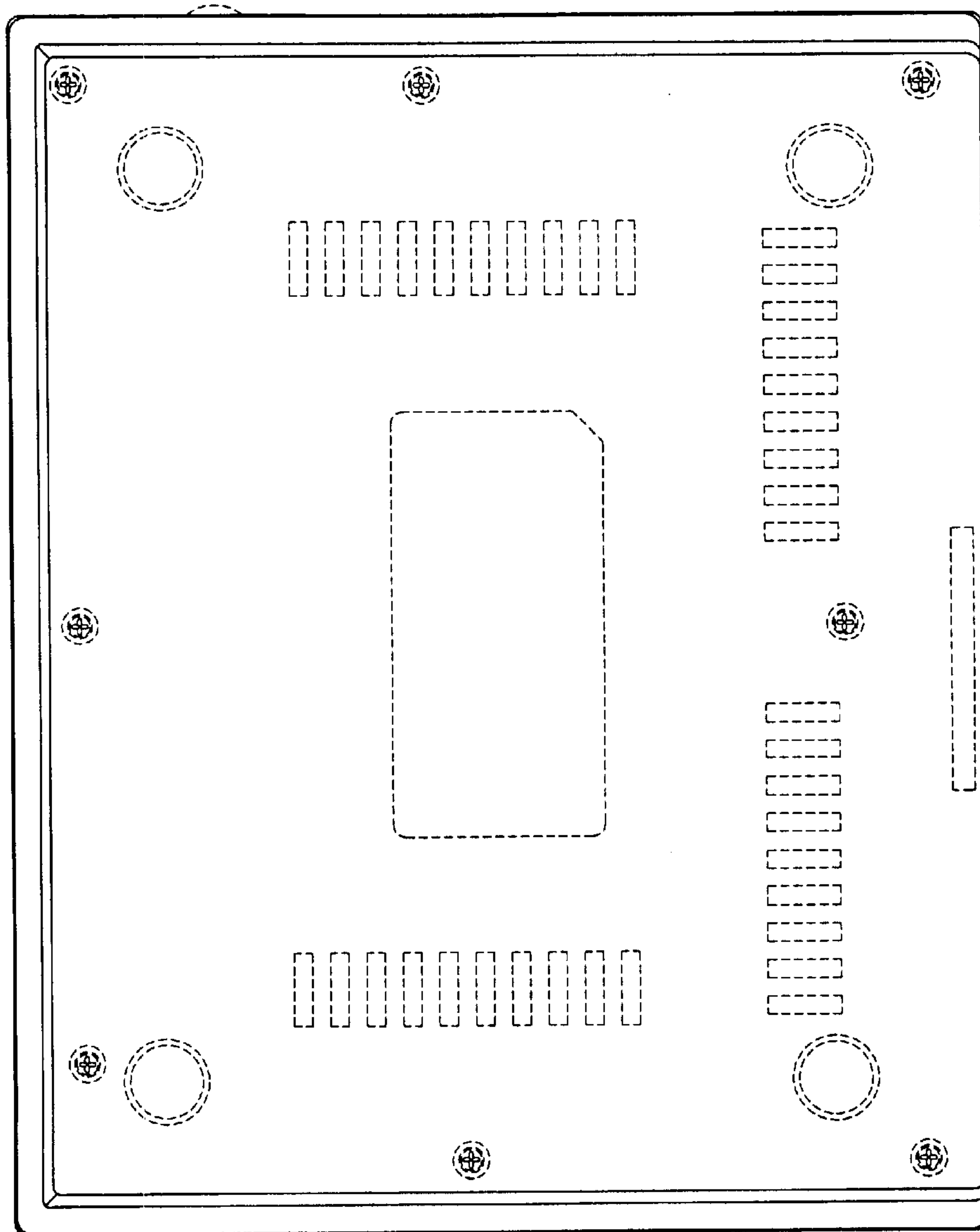


FIG. 7



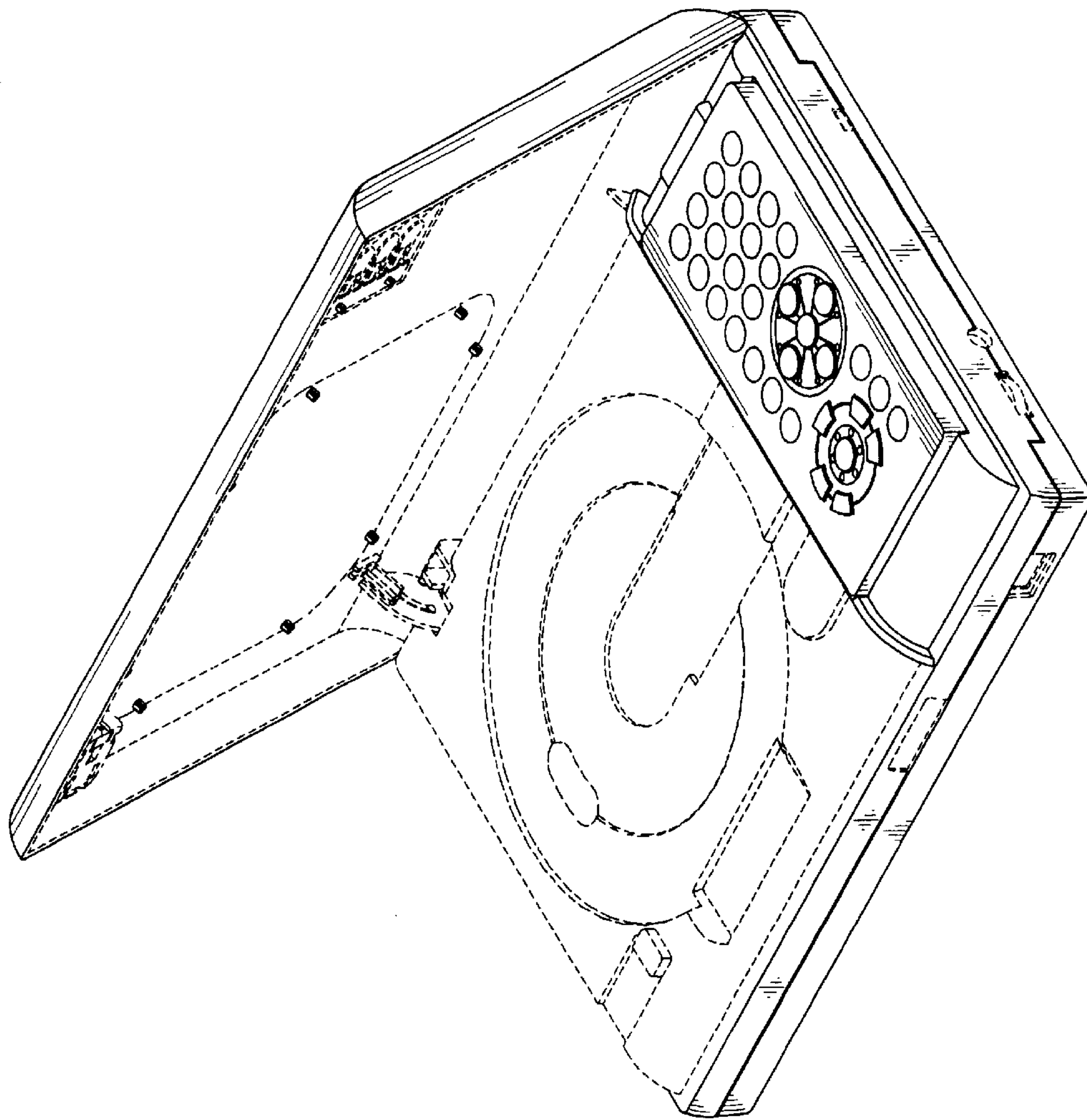


FIG. 8

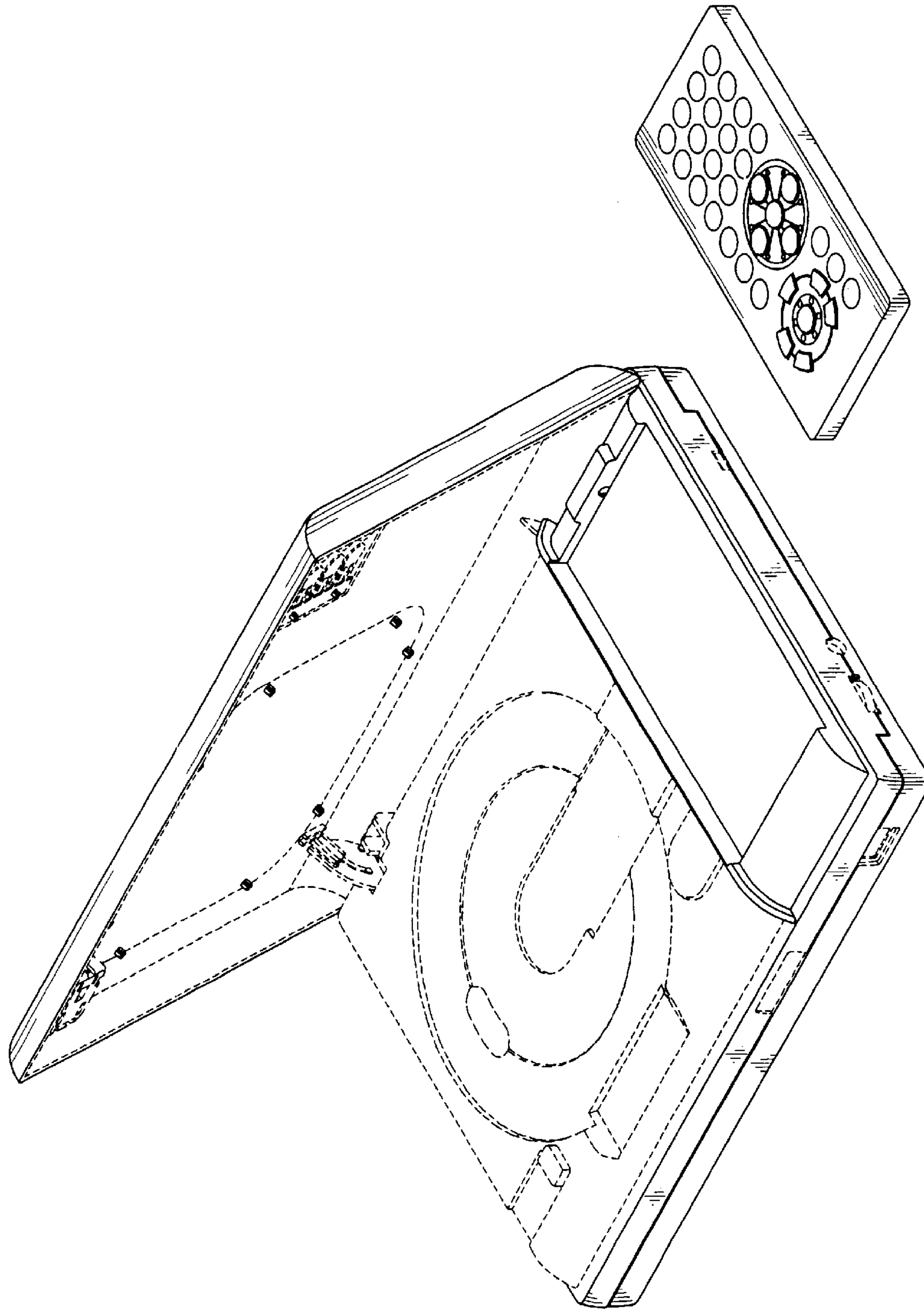


FIG. 9