



US00D534911S

(12) **United States Design Patent**  
**Hisatsune**

(10) **Patent No.:** **US D534,911 S**

(45) **Date of Patent:** **\*\* Jan. 9, 2007**

(54) **DISC DRIVE**

(75) Inventor: **Toshiyuki Hisatsune**, Tokyo (JP)

(73) Assignee: **Sony Corporation**, Tokyo (JP)

(\*\*) Term: **14 Years**

(21) Appl. No.: **29/240,991**

(22) Filed: **Oct. 24, 2005**

(51) **LOC (8) Cl.** ..... **14-02**

(52) **U.S. Cl.** ..... **D14/366**

(58) **Field of Classification Search** ..... D14/242,  
D14/496, 125, 135-6, 167, 300-2, 314, 341,  
D14/355-8, 362-70, 383, 385, 433, 348,  
D14/353, 156; 379/413.04; 220/4.01-4.02;  
361/679, 685-6; D13/103

See application file for complete search history.

(56) **References Cited**

**U.S. PATENT DOCUMENTS**

D267,172 S	*	12/1982	Pemberton	.....	D14/164
4,941,841 A	*	7/1990	Darden et al.	.....	361/685
5,290,178 A	*	3/1994	Ma	.....	439/652
5,363,273 A	*	11/1994	Ma	.....	361/686
D399,500 S	*	10/1998	Ikenaga	.....	D14/368
D403,320 S		12/1998	Niitsu		
D412,332 S		7/1999	Yuyama		
D416,896 S		11/1999	Ogasawara		
6,094,342 A	*	7/2000	Dague et al.	.....	361/685
6,122,165 A	*	9/2000	Schmitt et al.	.....	361/685
6,137,679 A	*	10/2000	Chang	.....	361/685
RE36,968 E	*	11/2000	Shieh	.....	361/685

D433,410 S	*	11/2000	Matsuzaka	.....	D14/365
6,282,085 B1	*	8/2001	Chao et al.	.....	361/683
D467,893 S		12/2002	Yamada		
6,545,865 B1	*	4/2003	Albrecht et al.	.....	361/685
D484,110 S		12/2003	Mori		
D485,840 S	*	1/2004	Yokoyama	.....	D14/385

**FOREIGN PATENT DOCUMENTS**

JP D1230868 S 2/2005

\* cited by examiner

*Primary Examiner*—Robin Webster

*Assistant Examiner*—Karen E. Patterson

(74) *Attorney, Agent, or Firm*—Rader, Fishman & Grauer PLLC

(57) **CLAIM**

The ornamental design for a disc drive, as shown and described.

**DESCRIPTION**

FIG. 1 is a perspective view of a disc drive showing my new design;

FIG. 2 is a front elevational view thereof;

FIG. 3 is a rear elevational view thereof;

FIG. 4 is a left side elevational view thereof;

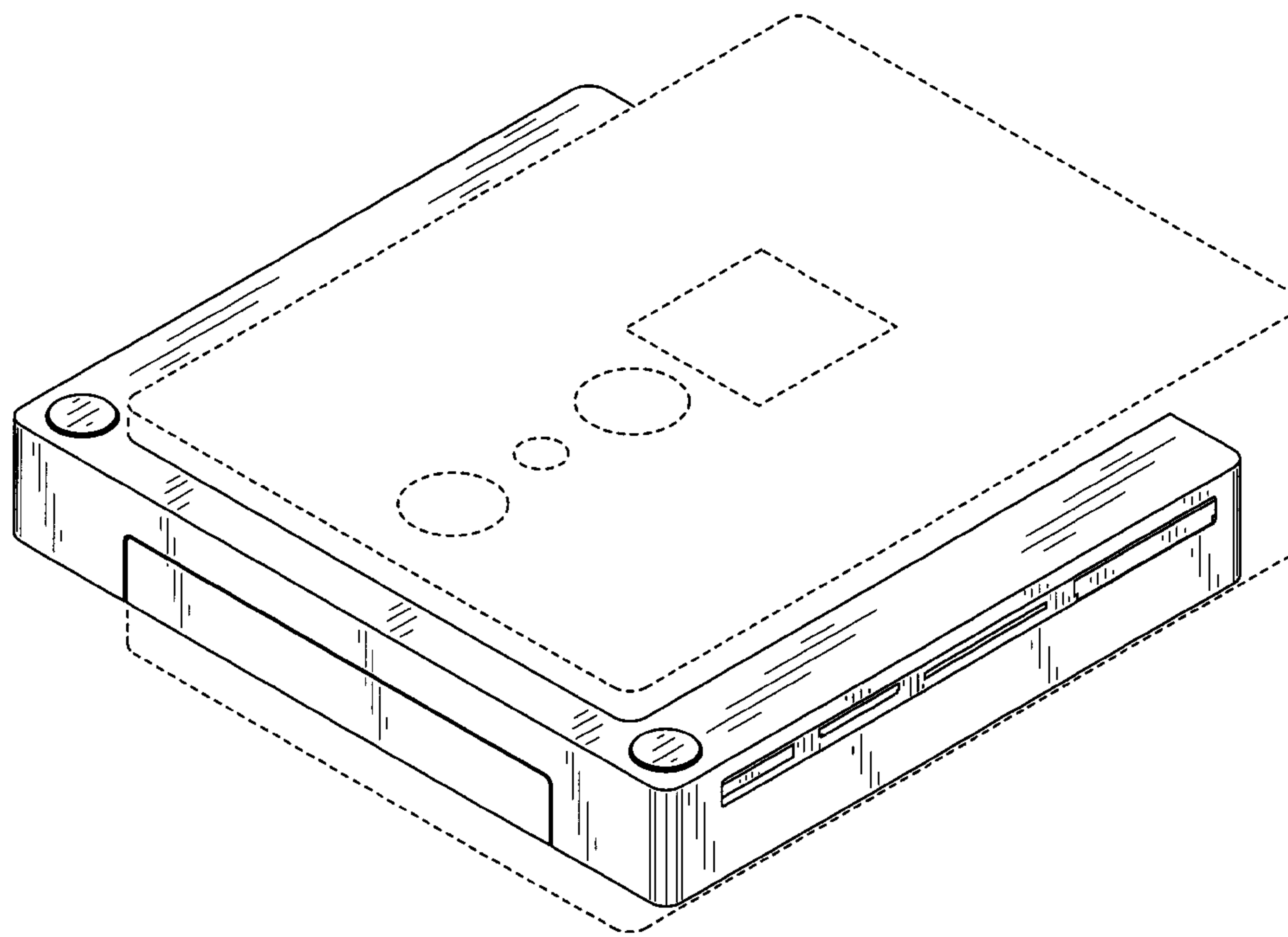
FIG. 5 is a right side elevational view thereof;

FIG. 6 is a top plan view thereof; and,

FIG. 7 is a bottom plan view thereof.

Portions of FIGS. 1-7 that are shown as broken lines are for illustrative purpose only and form no part of the claimed design.

**1 Claim, 7 Drawing Sheets**



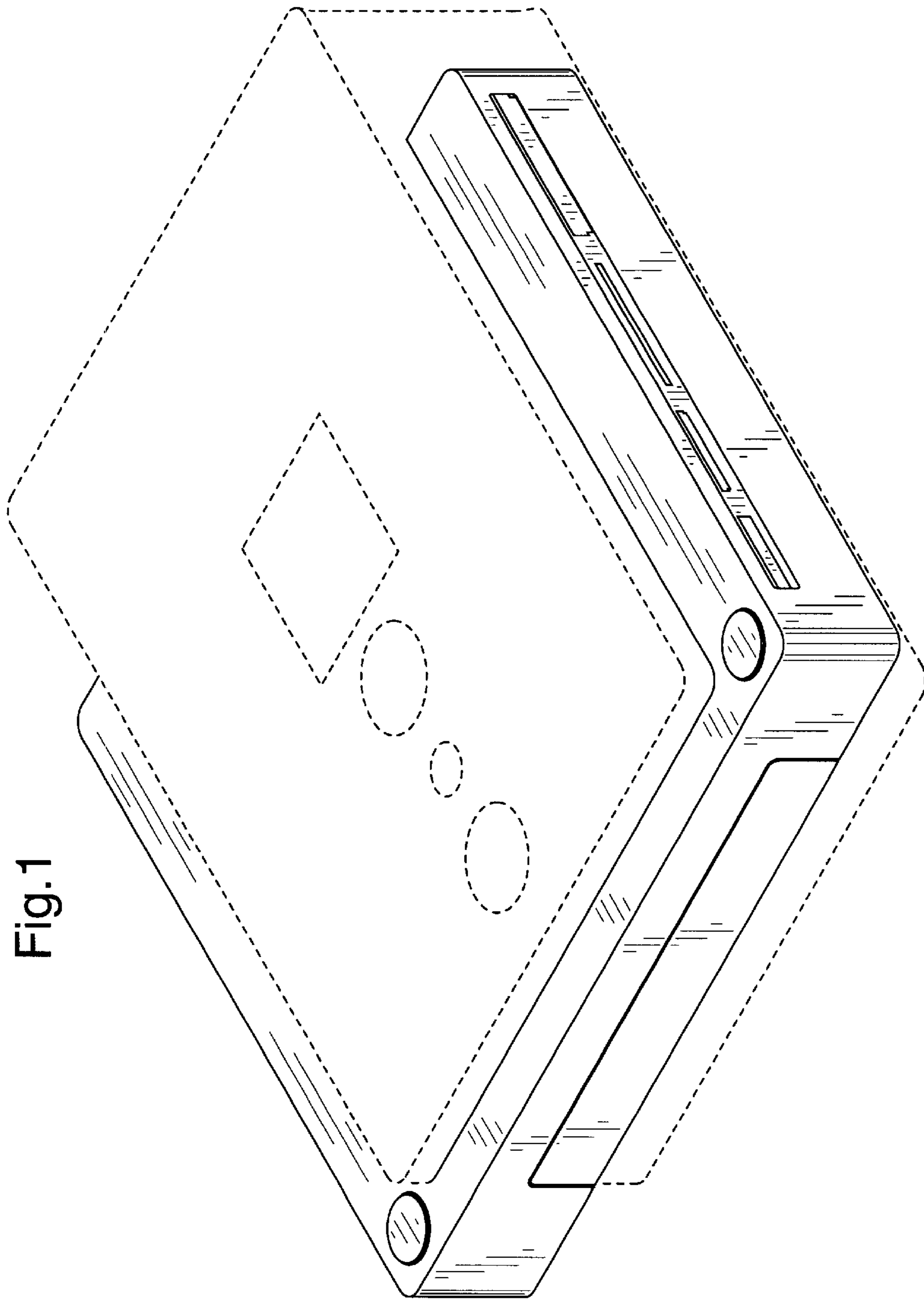


Fig. 1

Fig.2

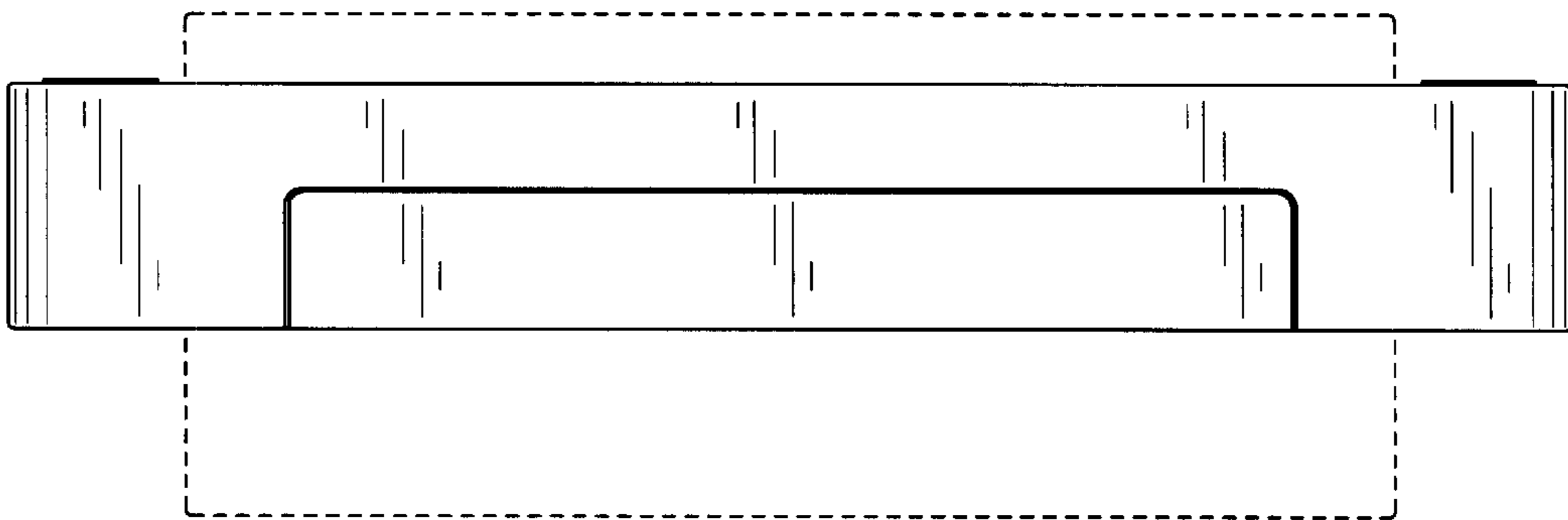


Fig.3



Fig.4

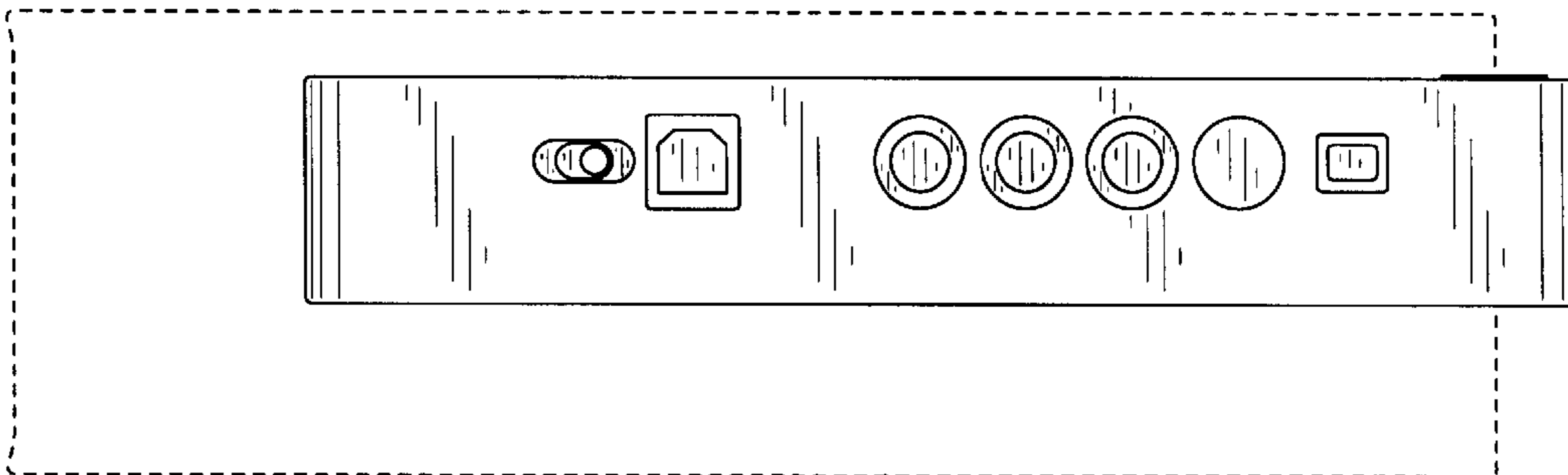


Fig.5

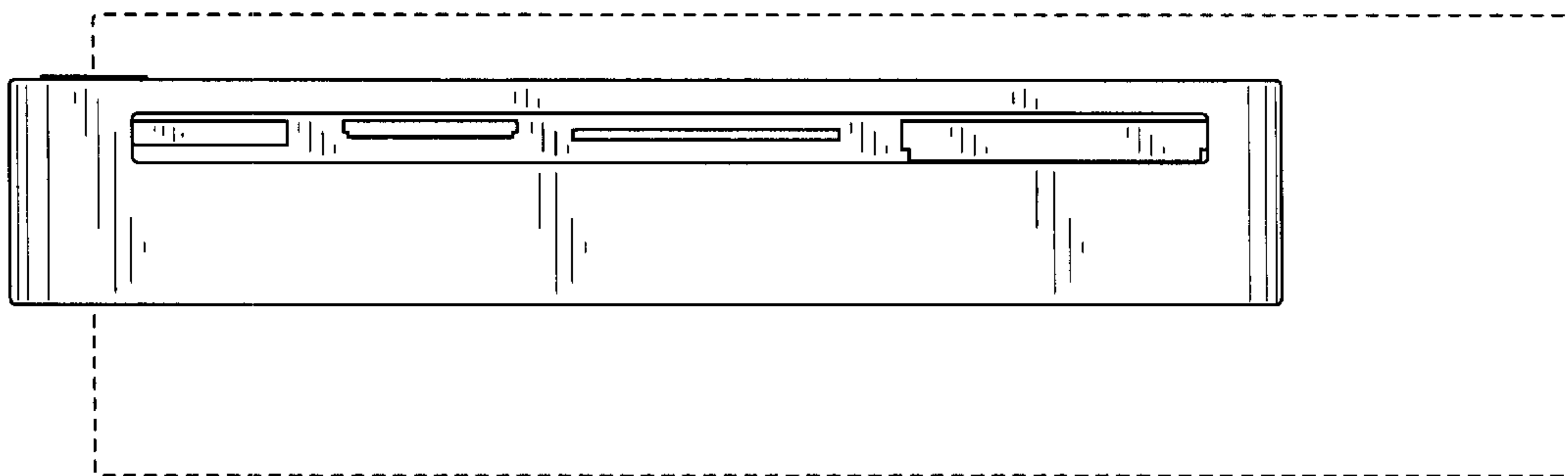


Fig.6

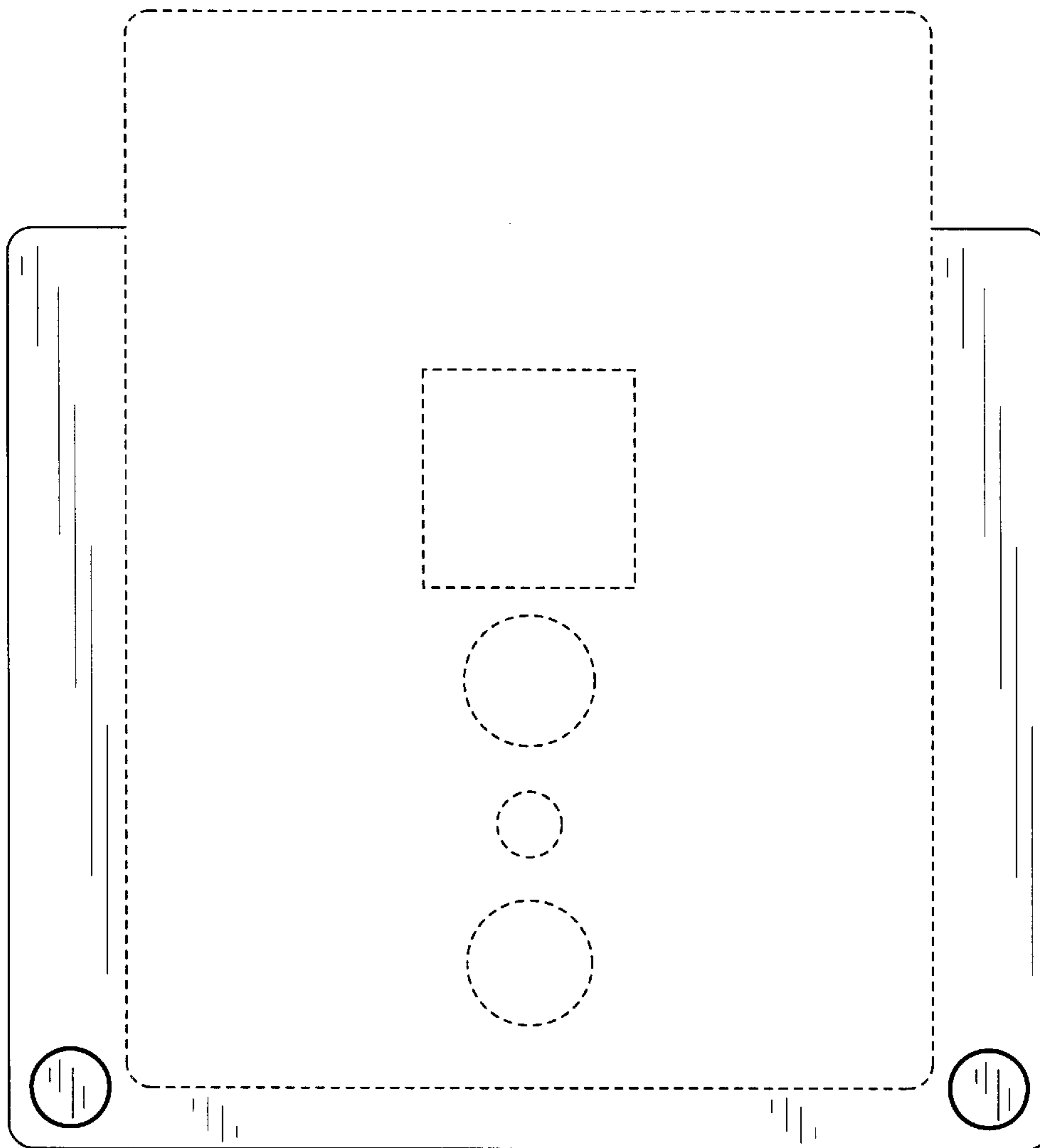


Fig.7

