

US00D534909S

(12) **United States Design Patent**  
**Weiher et al.**

(10) **Patent No.:** **US D534,909 S**  
(45) **Date of Patent:** **\*\* Jan. 9, 2007**

(54) **ONE BUTTON EXTERNAL BACKUP STORAGE**

(75) Inventors: **Patrick Weiher**, Los Altos, CA (US);  
**Brandon Cruz**, Anaheim Hills, CA (US);  
**Alejandro Garfio**, West Covina, CA (US);  
**Diner Mondragon**, Cudahy, CA (US)

(73) Assignee: **Maxtor Corporation**, Longmont, CO (US)

(\*\*) Term: **14 Years**

(21) Appl. No.: **29/254,958**

(22) Filed: **Mar. 1, 2006**

**Related U.S. Application Data**

(63) Continuation-in-part of application No. 29/227,459, filed on Apr. 12, 2005, now Pat. No. Des. 520,000.

(51) **LOC (8) Cl.** ..... **14-02**

(52) **U.S. Cl.** ..... **D14/356**

(58) **Field of Classification Search** ..... D14/156,  
D14/167, 125, 240, 243, 299, 301, 348-9,  
D14/351-68, 136, 160; 379/413.04; 220/4.01-4.02;  
361/679, 685-6

See application file for complete search history.

(56) **References Cited**

**U.S. PATENT DOCUMENTS**

- 3,058,612 A \* 10/1962 Nagy, Jr. .... 220/4.02
- 4,471,898 A \* 9/1984 Parker ..... 228/20.5
- 4,938,351 A \* 7/1990 Lewis ..... 206/706
- D331,746 S \* 12/1992 Takahashi ..... D14/351
- D354,500 S \* 1/1995 Georgopoulos ..... D14/242
- 5,495,389 A \* 2/1996 Dewitt et al. .... 361/683
- 5,564,802 A \* 10/1996 Chiou ..... 312/111
- 5,613,237 A \* 3/1997 Bent et al. .... 455/351

- 6,104,616 A \* 8/2000 Benson et al. .... 361/724
- 6,271,604 B1 \* 8/2001 Frank et al. .... 307/112
- 6,466,439 B1 \* 10/2002 Liu ..... 361/687
- 6,560,099 B1 5/2003 Chang
- 6,611,850 B1 8/2003 Shen
- 6,952,342 B1 \* 10/2005 Chen ..... 361/685
- D513,251 S \* 12/2005 Conyers et al. .... D14/352

\* cited by examiner

*Primary Examiner*—Robin Webster

*Assistant Examiner*—Karen E. Patterson

(74) *Attorney, Agent, or Firm*—Foley & Lardner LLP

(57) **CLAIM**

We claim the ornamental design for a one button external backup storage, as shown and described.

**DESCRIPTION**

FIG. 1 is a perspective front-top-right side view of a one button external backup storage according to an embodiment of the invention;

FIG. 2 is a front view of a one button external backup storage according to an embodiment of the invention;

FIG. 3 is a rear view of a one button external backup storage according to an embodiment of the invention;

FIG. 4 is a right side view of a one button external backup storage according to an embodiment of the invention;

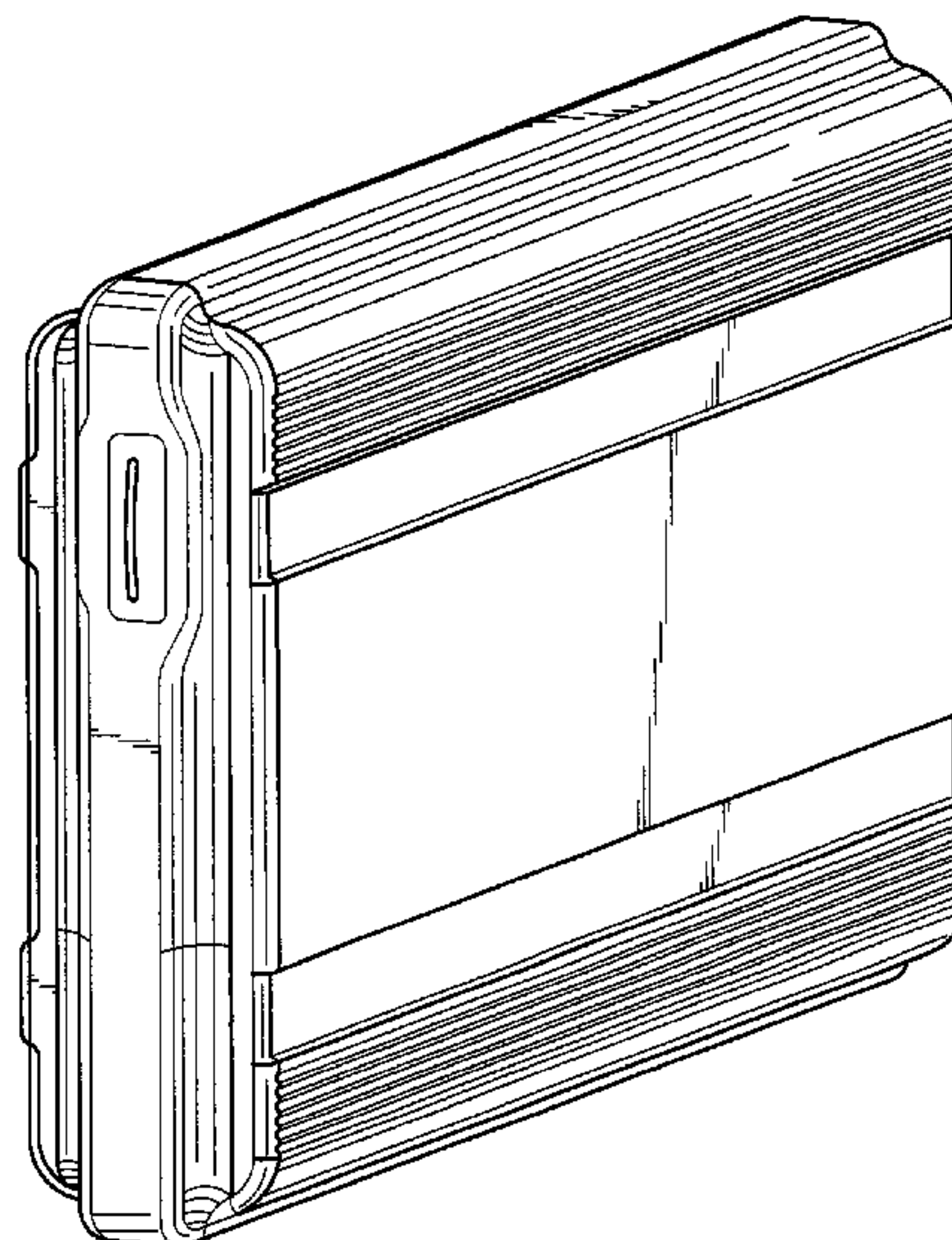
FIG. 5 is a left side view of a one button external backup storage according to an embodiment of the invention;

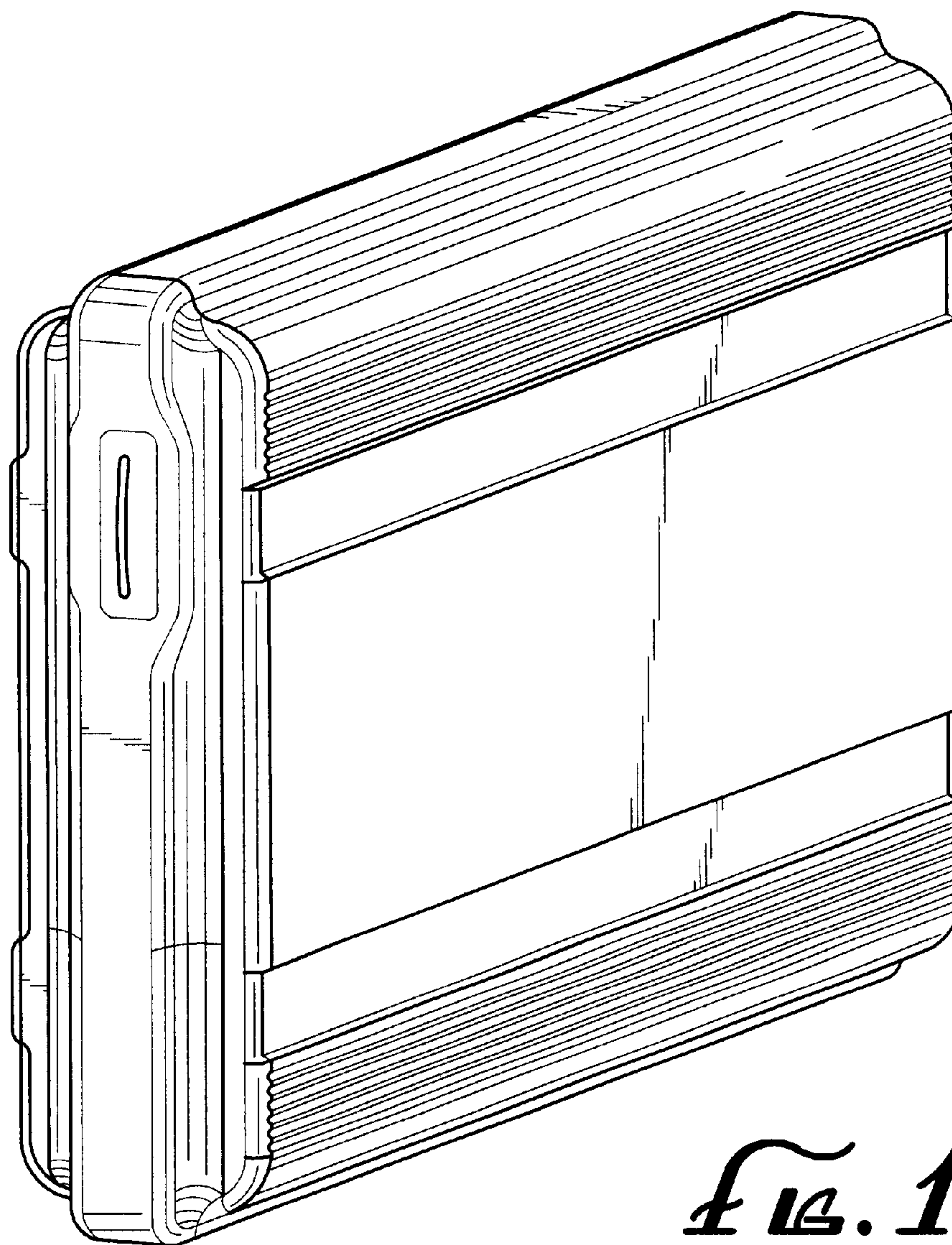
FIG. 6 is a top view of a one button external backup storage according to an embodiment of the invention; and,

FIG. 7 is a bottom view of a one button external backup storage according to an embodiment of the invention.

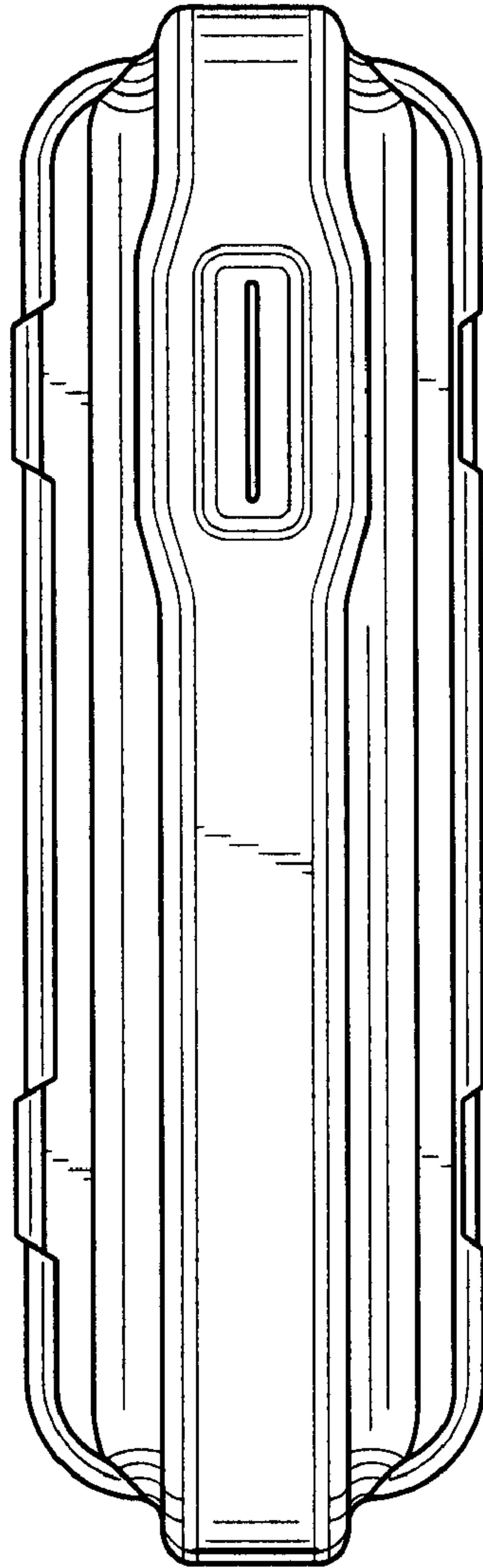
The ornamental design which is claimed is shown in solid lines in the drawings. Any broken lines in the drawings are for illustrative purposes only and form no part of the claimed design.

**1 Claim, 7 Drawing Sheets**

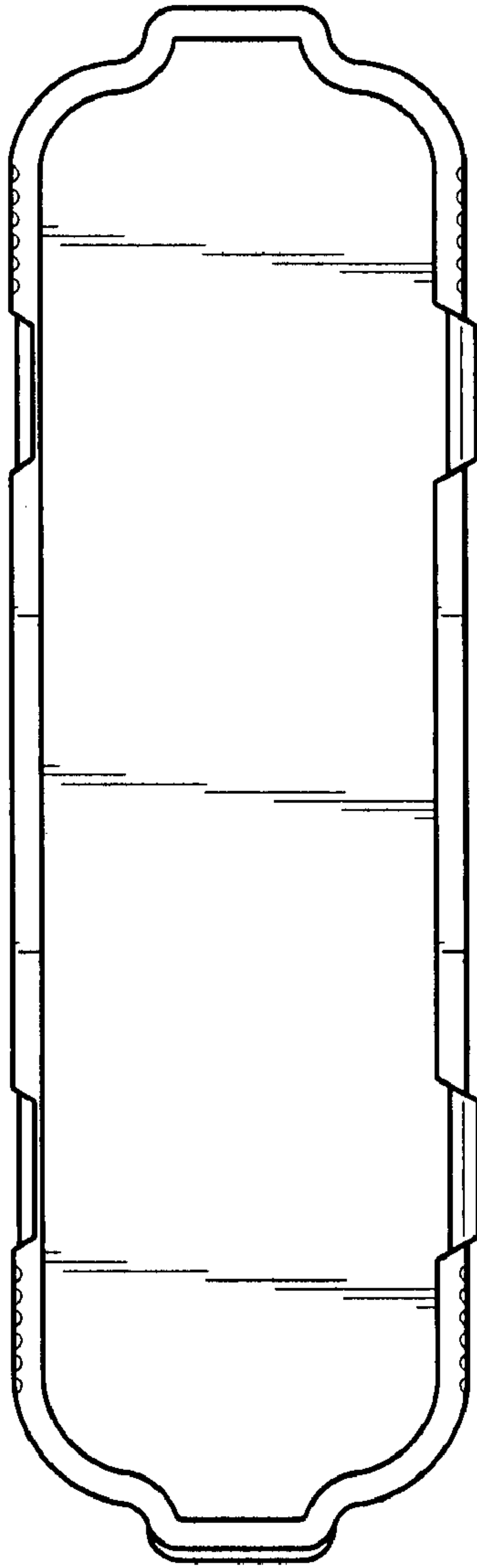




*FIG. 1*



*FIG. 2*



*FIG. 3*

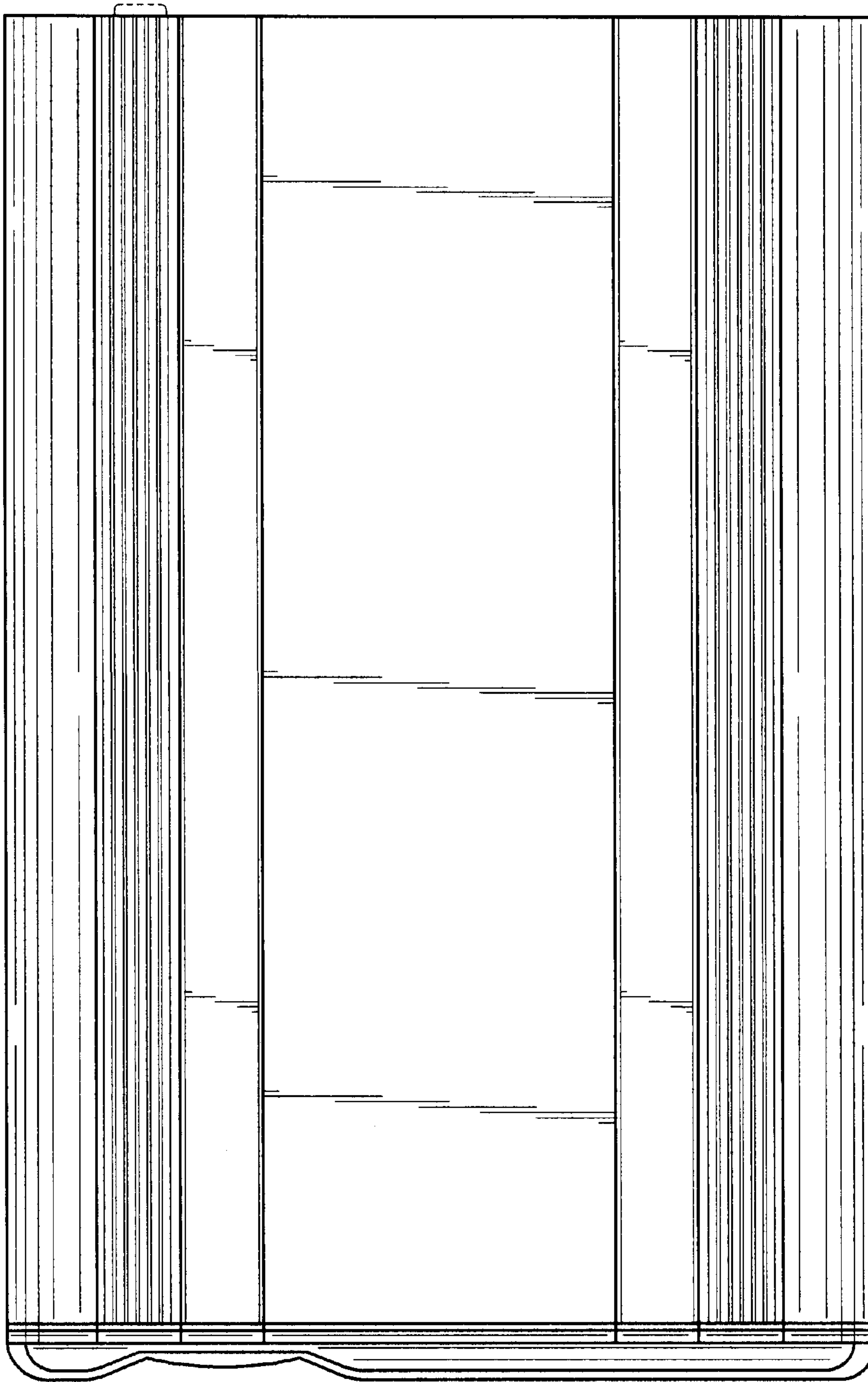


FIG. 4



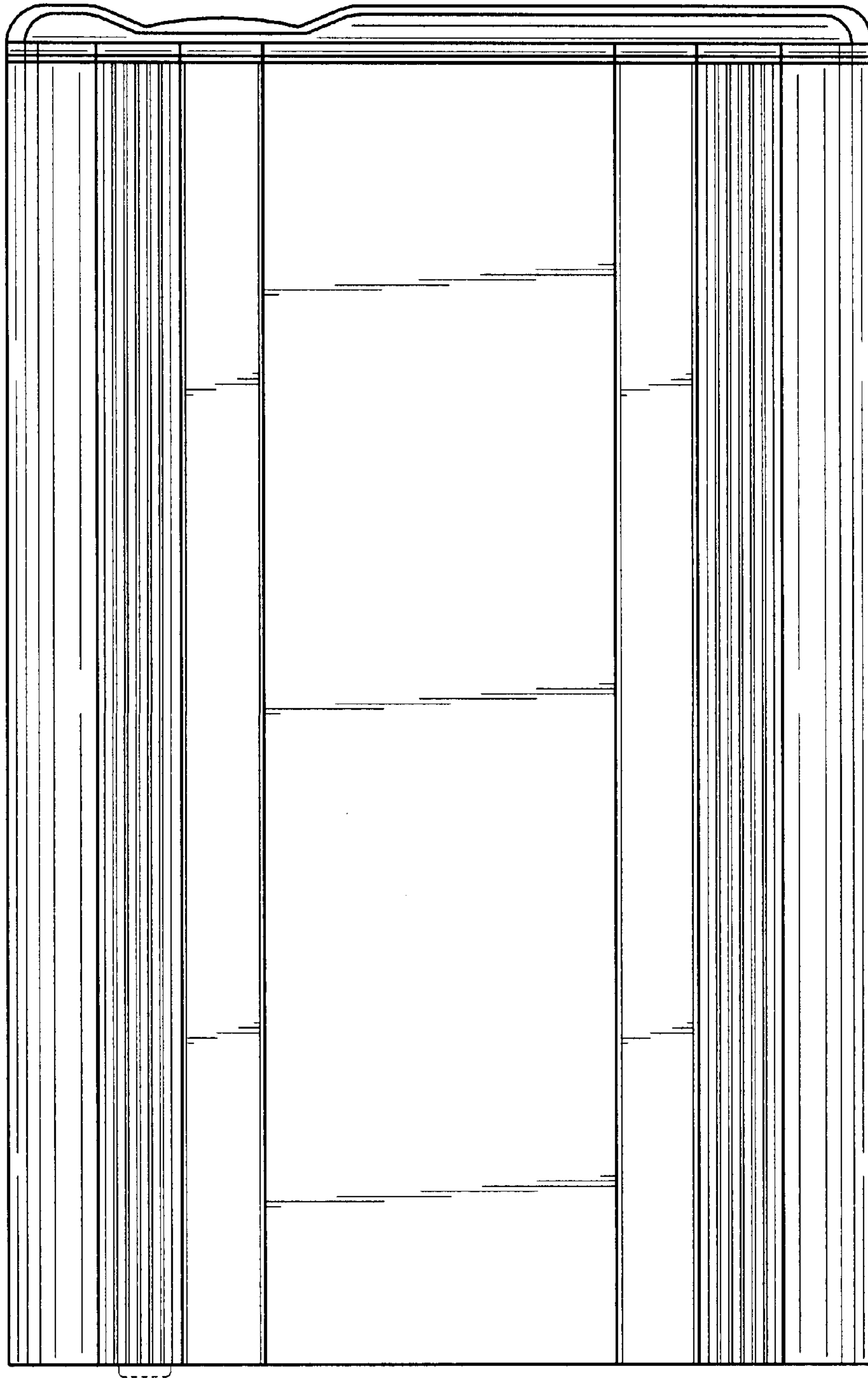
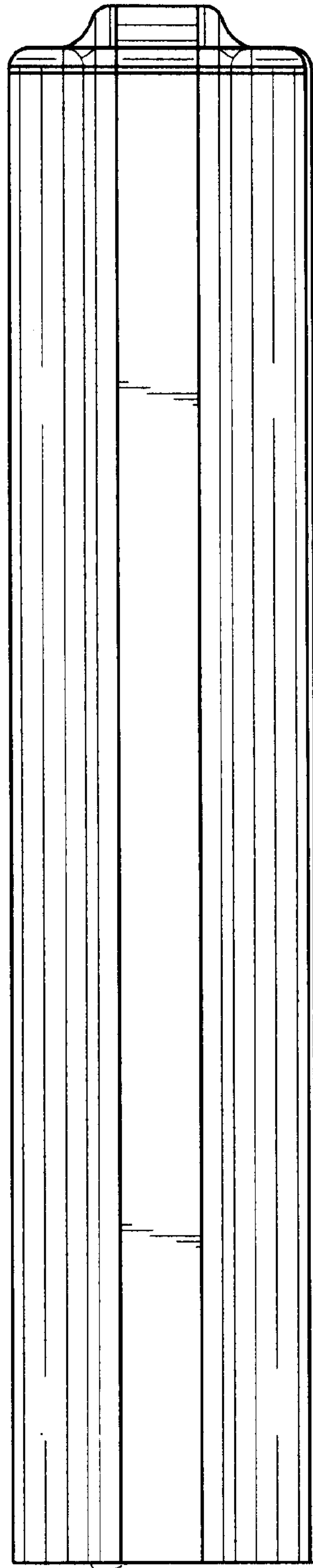


Fig. 5



*FIG. 6*

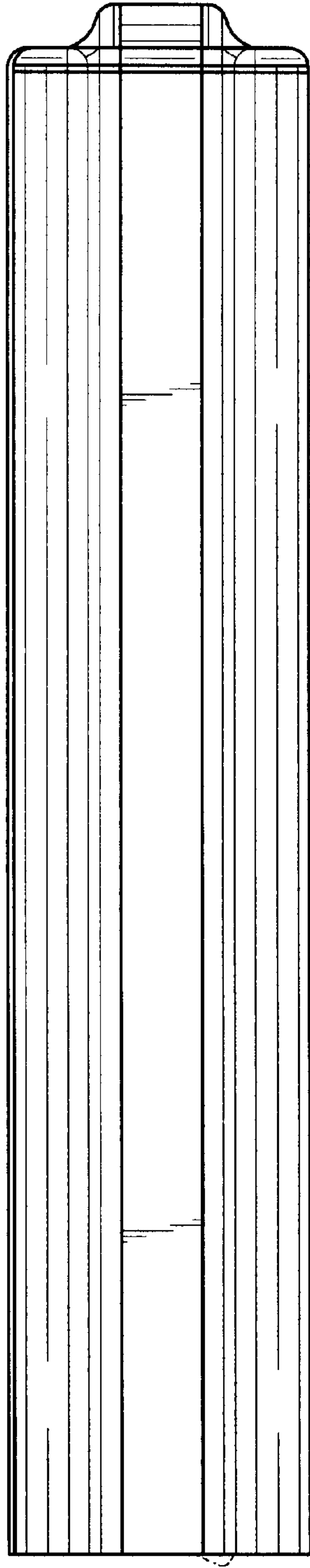


Fig. 7