



US00D534908S

(12) **United States Design Patent** (10) **Patent No.:** **US D534,908 S**
Lee (45) **Date of Patent:** **** Jan. 9, 2007**

(54) **PORTABLE INFORMATION TERMINAL**

(75) Inventor: **Jong-Seong Lee**, Seoul (KR)

(73) Assignee: **Samsung Electronics Co., Ltd.**, Suwon (KR)

(**) Term: **14 Years**

(21) Appl. No.: **29/204,290**

(22) Filed: **Apr. 28, 2004**

(30) **Foreign Application Priority Data**

Nov. 13, 2003 (KR) 30-2003-0032185

(51) **LOC (8) Cl.** **14-02**

(52) **U.S. Cl.** **D14/346**

(58) **Field of Classification Search** D14/341-346,
D14/138; D18/1, 2, 7, 11; 235/145 A, 145 R;
341/22, 23; 345/156, 168, 169, 172, 173;
349/12; 361/680-686; 178/18.03; 400/486,
400/82

See application file for complete search history.

(56) **References Cited**

U.S. PATENT DOCUMENTS

D266,855 S * 11/1982 Yoshioka et al. D18/7
D308,536 S * 6/1990 Suzuki D18/2
D310,093 S * 8/1990 Sakaguchi et al. D18/7
5,278,779 A * 1/1994 Conway et al. 361/680

D382,008 S * 8/1997 Mak D18/2
5,941,648 A * 8/1999 Robinson et al. 400/82
D464,961 S * 10/2002 Sogabe D14/346
2003/0078069 A1 * 4/2003 Lindeman 455/550

* cited by examiner

Primary Examiner—Freda S. Nunn

(74) *Attorney, Agent, or Firm*—Laydig, Voit & Mayer, Ltd.

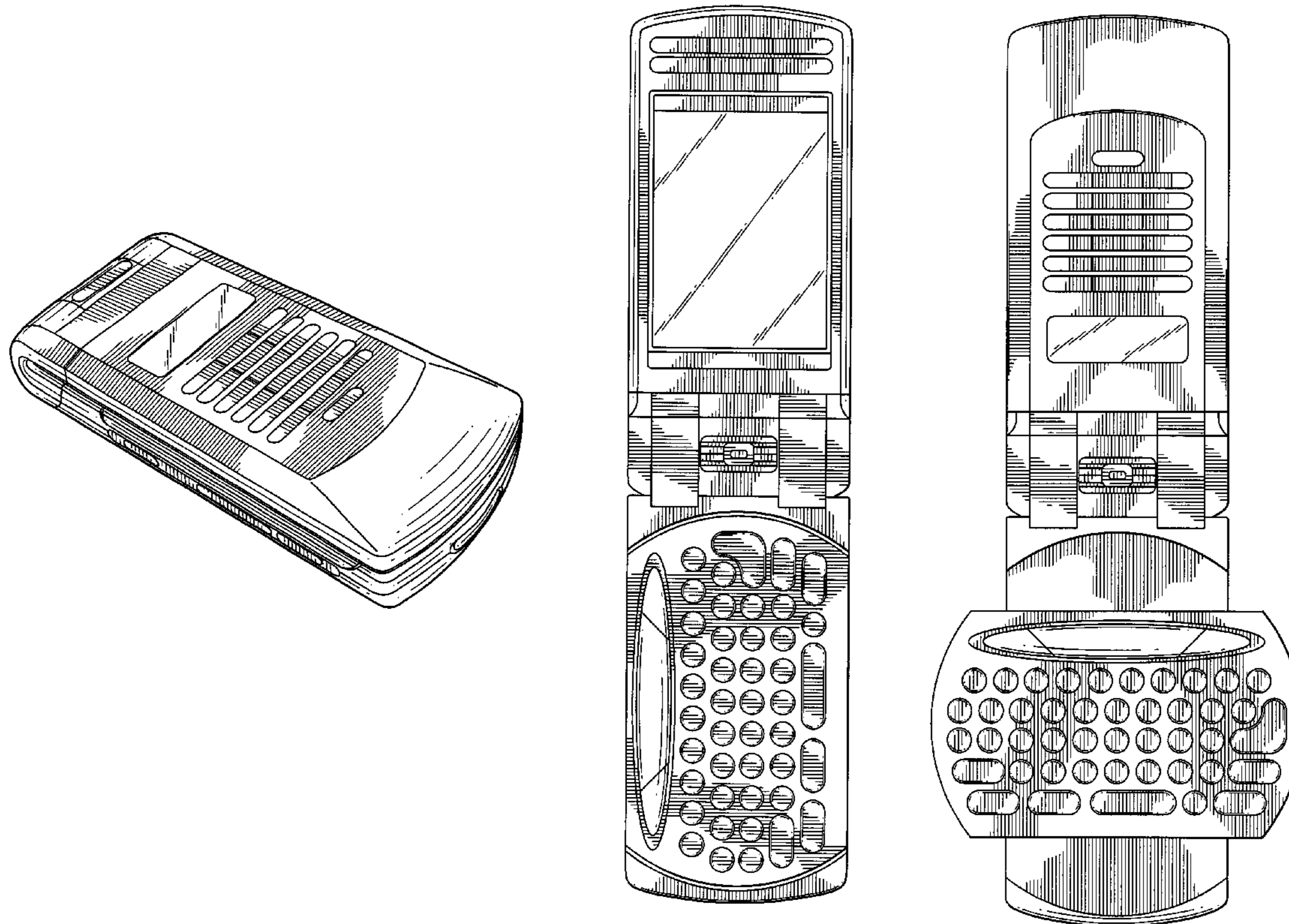
(57) **CLAIM**

I claim the ornamental design for a portable information terminal, as shown and described.

DESCRIPTION

FIG. 1 is a perspective view of a portable information terminal according to my new design, when closed;
FIG. 2 is a front view thereof, when closed;
FIG. 3 is a rear view thereof, when closed;
FIG. 4 is a left side view thereof, when closed;
FIG. 5 is a right side view thereof, when closed;
FIG. 6 is a top view thereof, when closed;
FIG. 7 is a bottom view thereof, when closed;
FIG. 8 is a first plan view thereof, when opened, in a first orientation of front and rear parts;
FIG. 9 is a second plan view thereof, when opened, in a second orientation of front and rear parts; and,
FIG. 10 is a third plan view thereof, when opened, in a third orientation of front and rear parts.

1 Claim, 4 Drawing Sheets



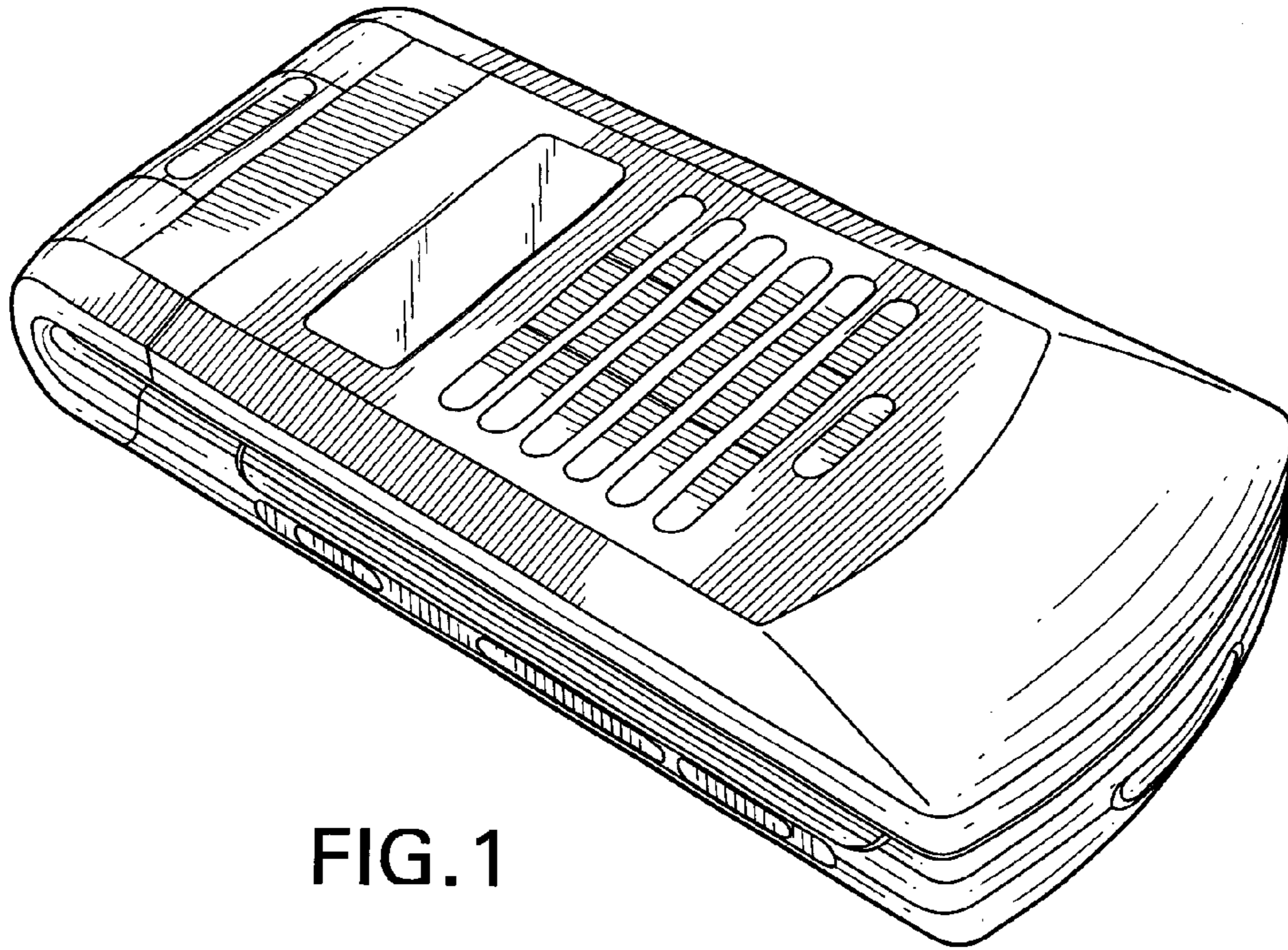


FIG. 1

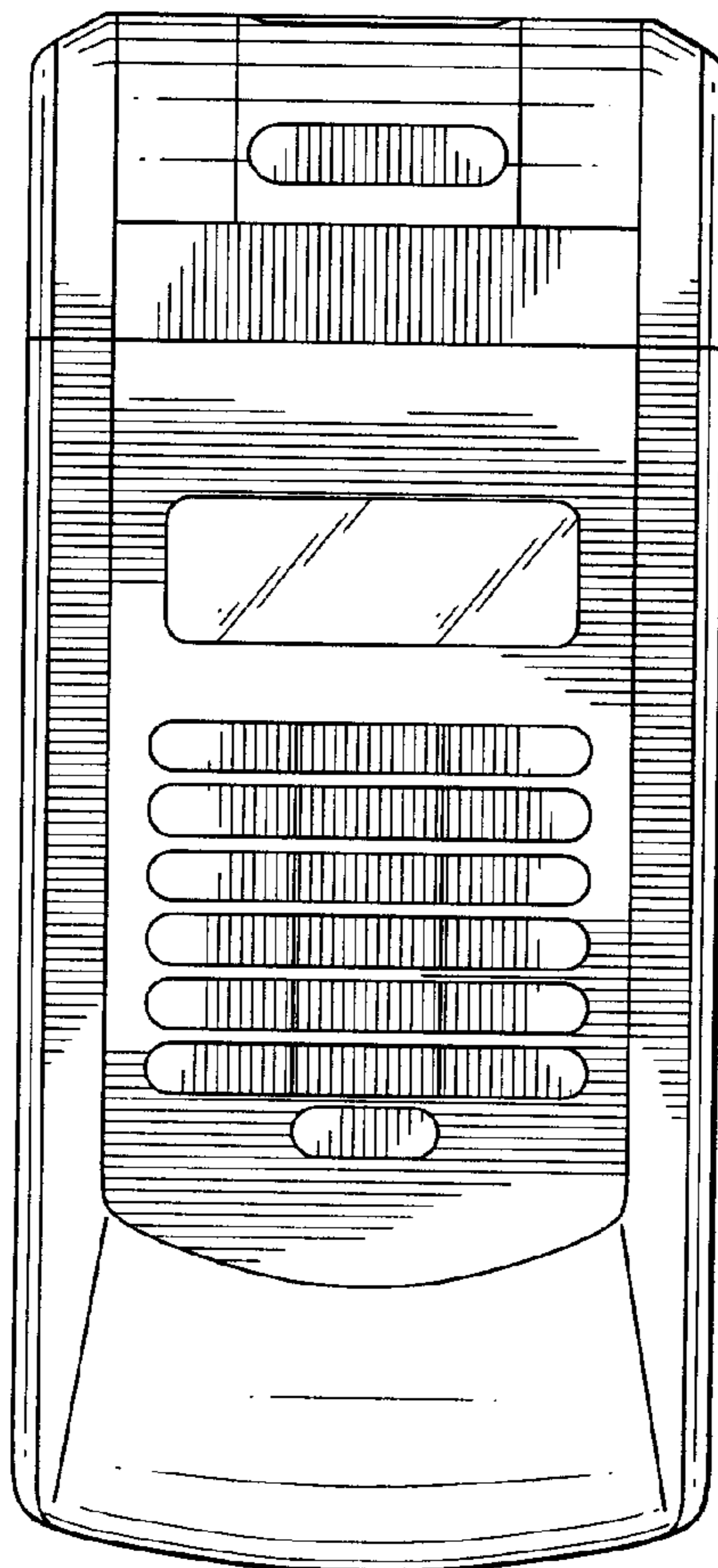


FIG. 2

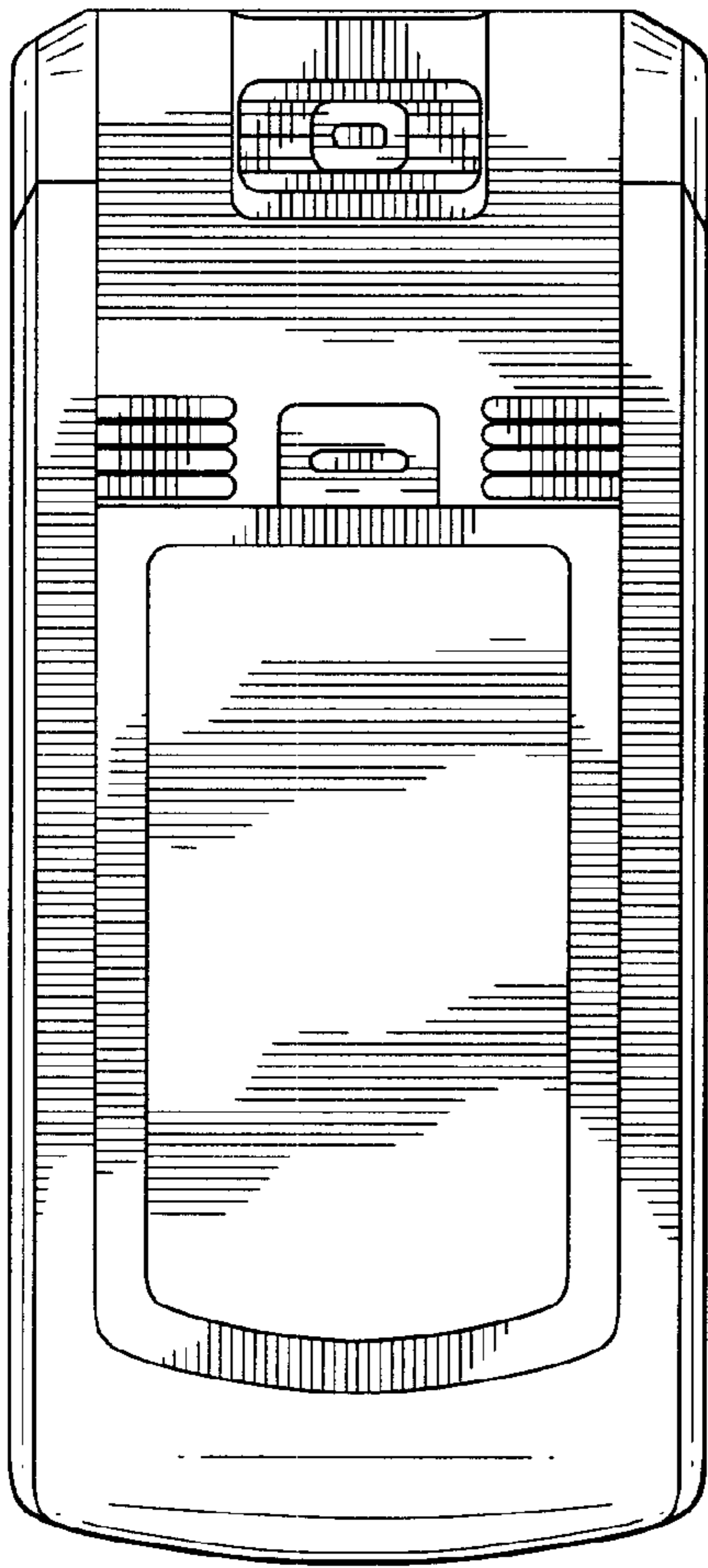


FIG. 3

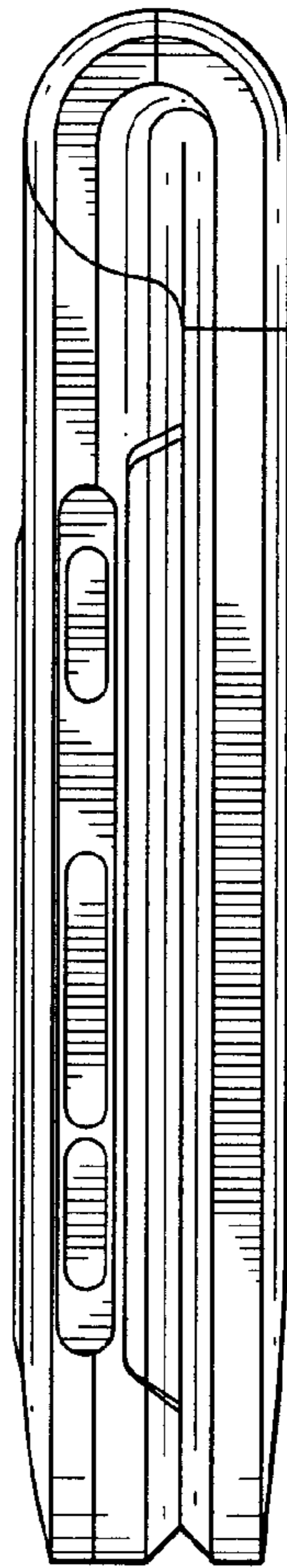


FIG. 4

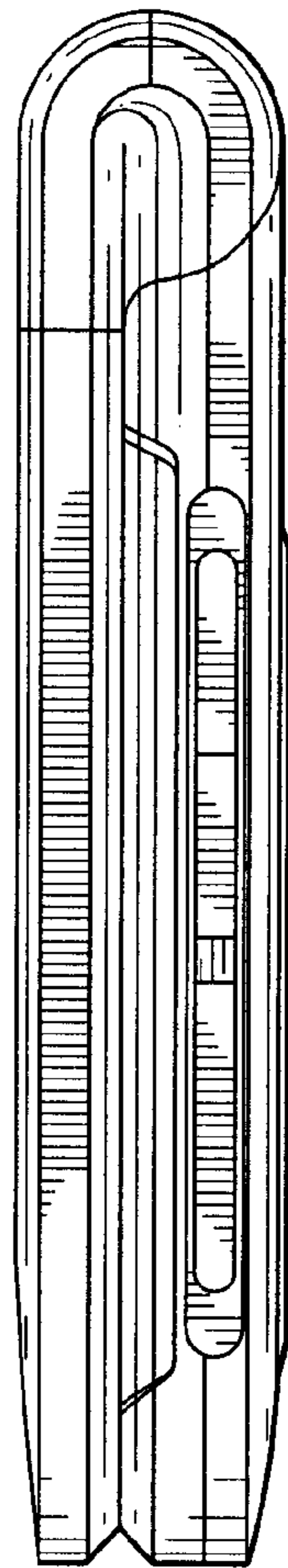


FIG. 5

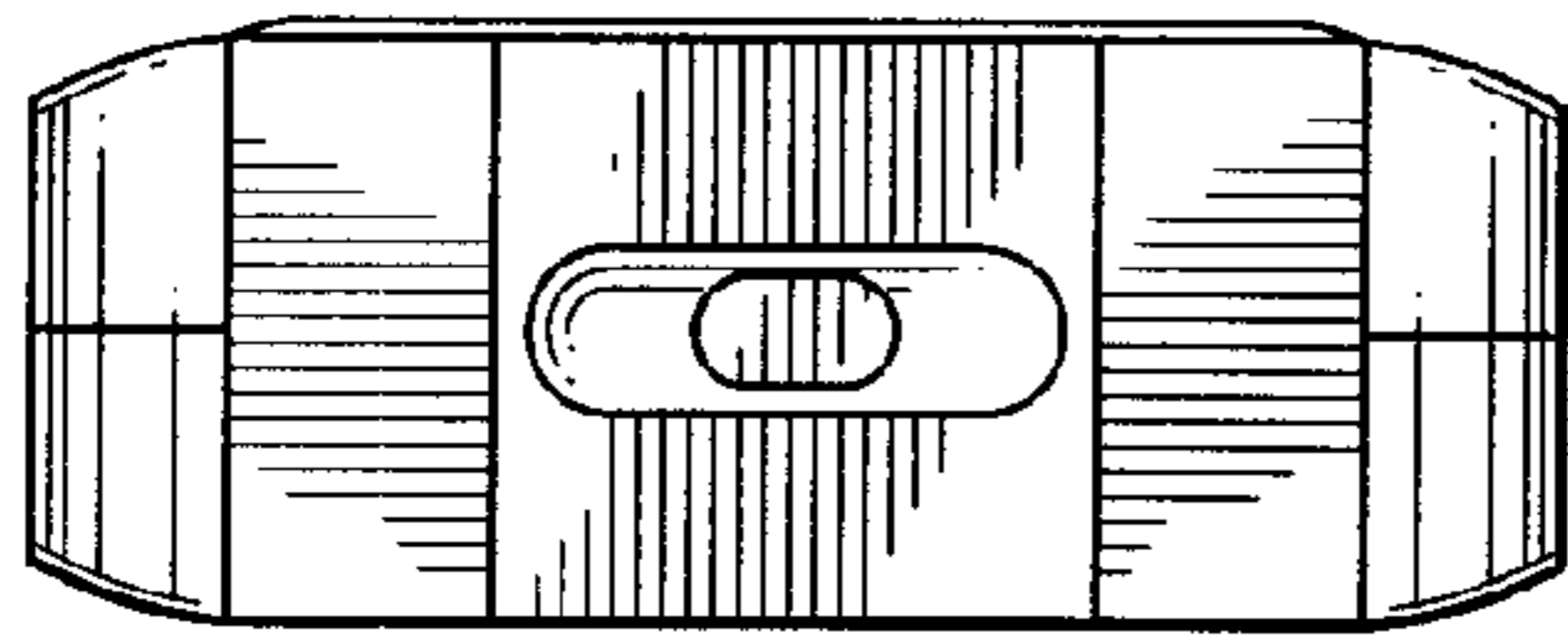


FIG. 6

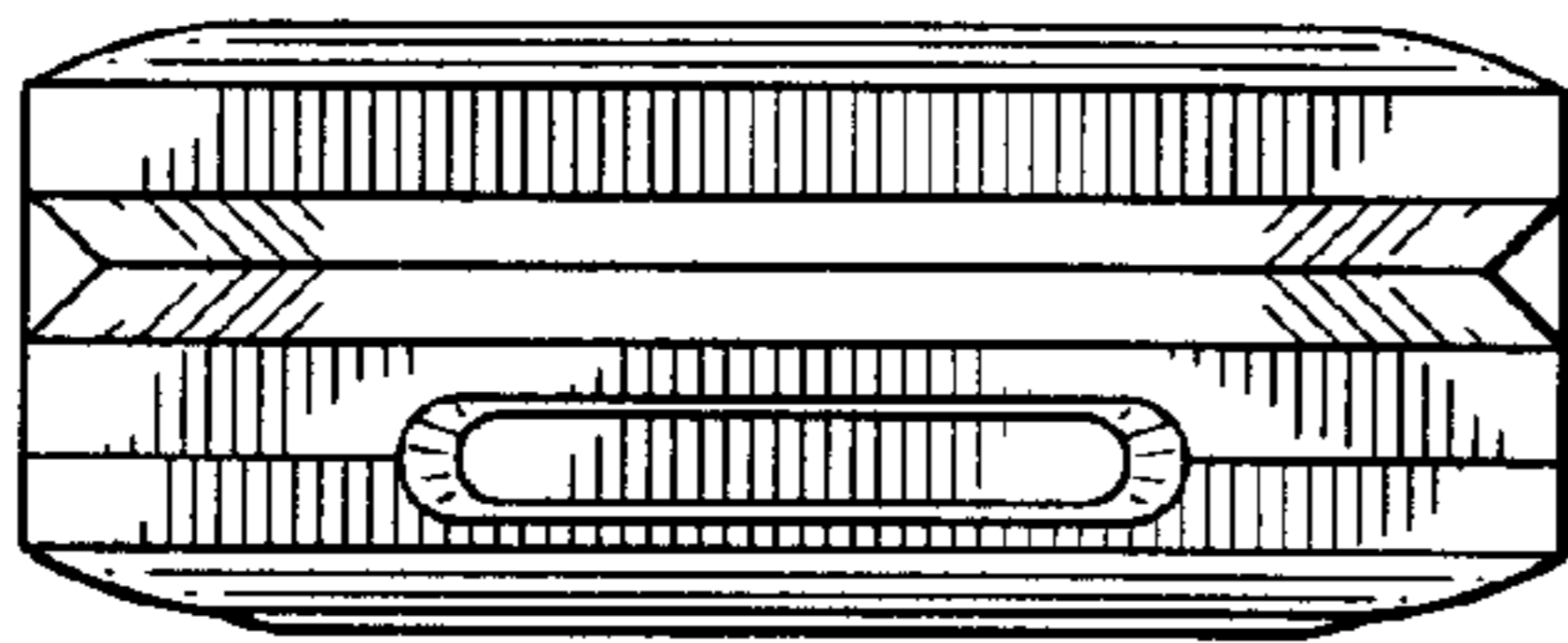


FIG. 7

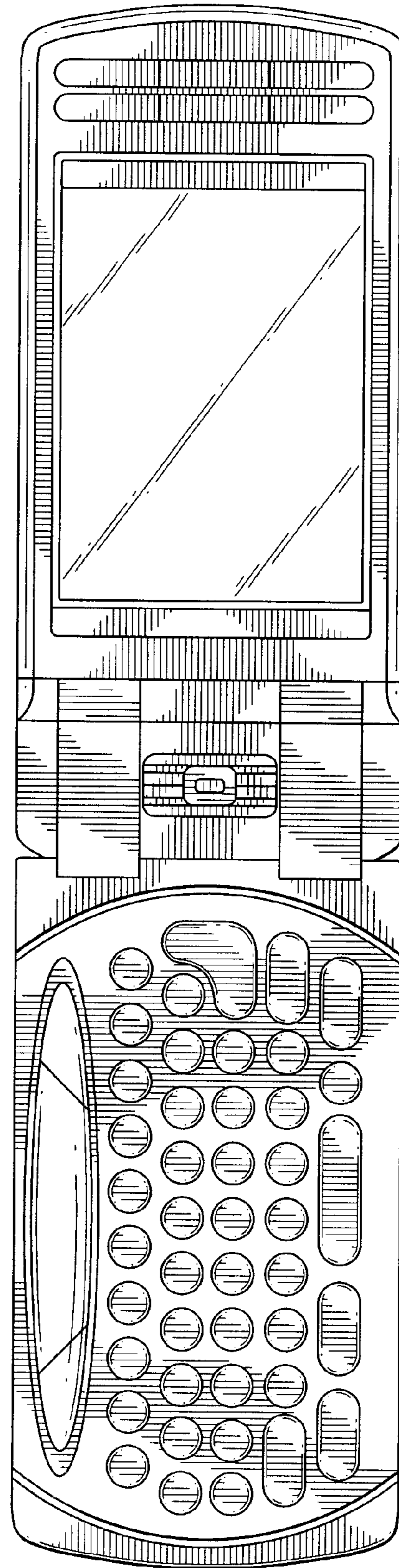


FIG. 8

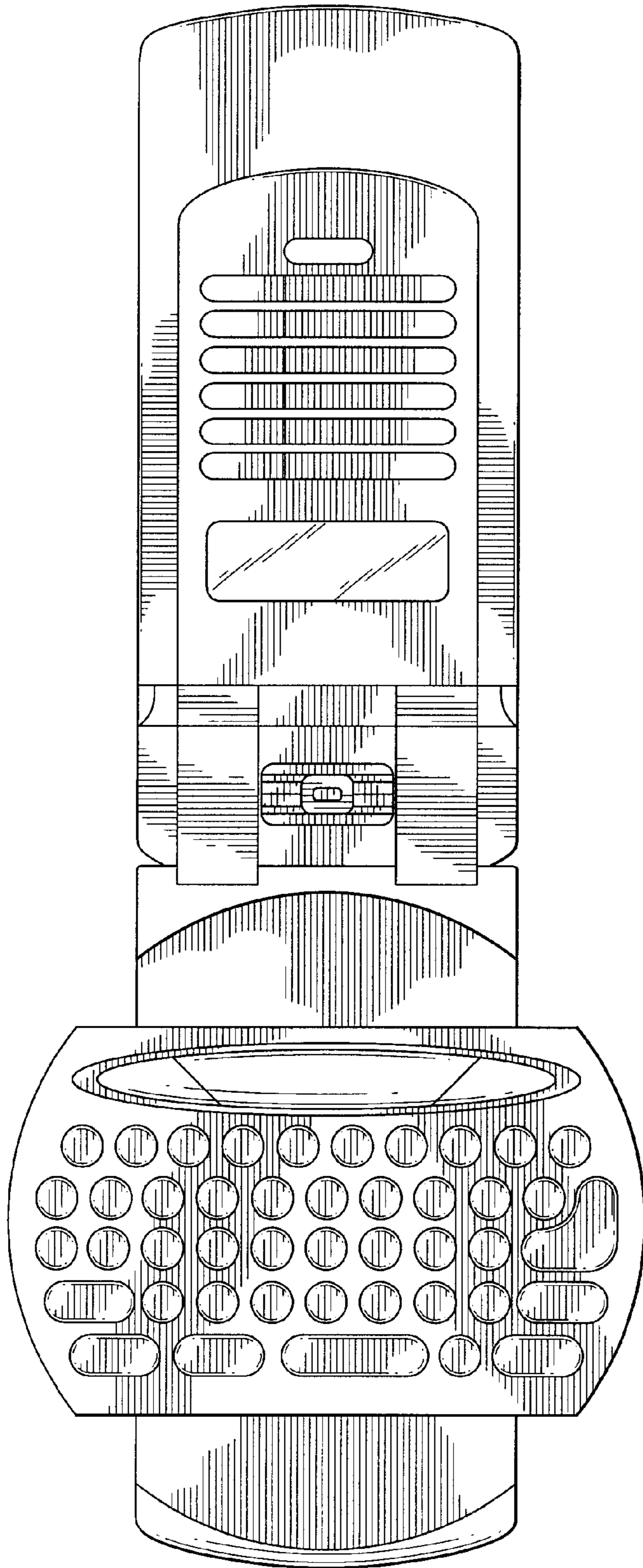


FIG. 9

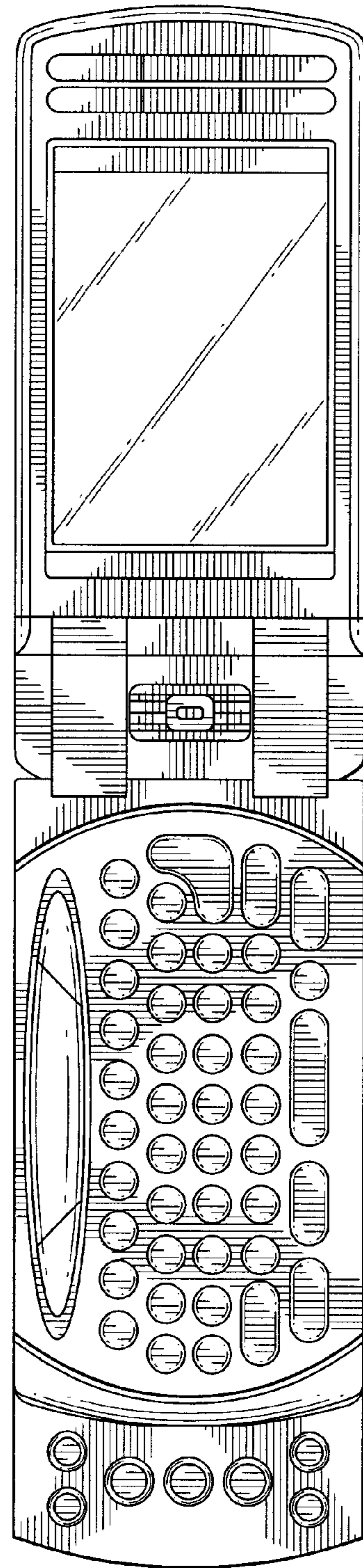


FIG. 10