



US00D534906S

(12) **United States Design Patent**
Yamaguchi

(10) **Patent No.:** **US D534,906 S**

(45) **Date of Patent:** **** Jan. 9, 2007**

(54) **HANDSET**

(75) **Inventor:** **Yasutake Yamaguchi, Chiryu (JP)**

(73) **Assignee:** **Brother Industries, Ltd., Nagoya (JP)**

(**) **Term:** **14 Years**

(21) **Appl. No.:** **29/168,285**

(22) **Filed:** **Jun. 14, 2004**

(30) **Foreign Application Priority Data**

Dec. 26, 2003 (JP) 2003-038739

(51) **LOC (8) Cl.** **14-03**

(52) **U.S. Cl.** **D14/248**

(58) **Field of Classification Search** D14/130,
D14/240, 137-138, 140, 142, 144, 147, 148-149,
D14/150-151; 379/435-436, 419, 440
See application file for complete search history.

(56) **References Cited**

U.S. PATENT DOCUMENTS

D263,049 S * 2/1982 Cobb D14/248
D279,005 S * 5/1985 Genaro et al. D14/248
D288,442 S * 2/1987 Brown D14/248
D299,027 S * 12/1988 Boykiw D14/248

D301,146 S * 5/1989 Jackwicz et al. D14/248
D370,486 S * 6/1996 Nuttall et al. D14/248
D376,804 S * 12/1996 Mergenthaler et al. D14/248
D381,655 S * 7/1997 Nuttall et al. D14/147

FOREIGN PATENT DOCUMENTS

WO DM/046535 * 1/1999

* cited by examiner

Primary Examiner—Ian Simmons

Assistant Examiner—Carla Jobe Wright

(74) *Attorney, Agent, or Firm*—Oliff & Berridge, PLC

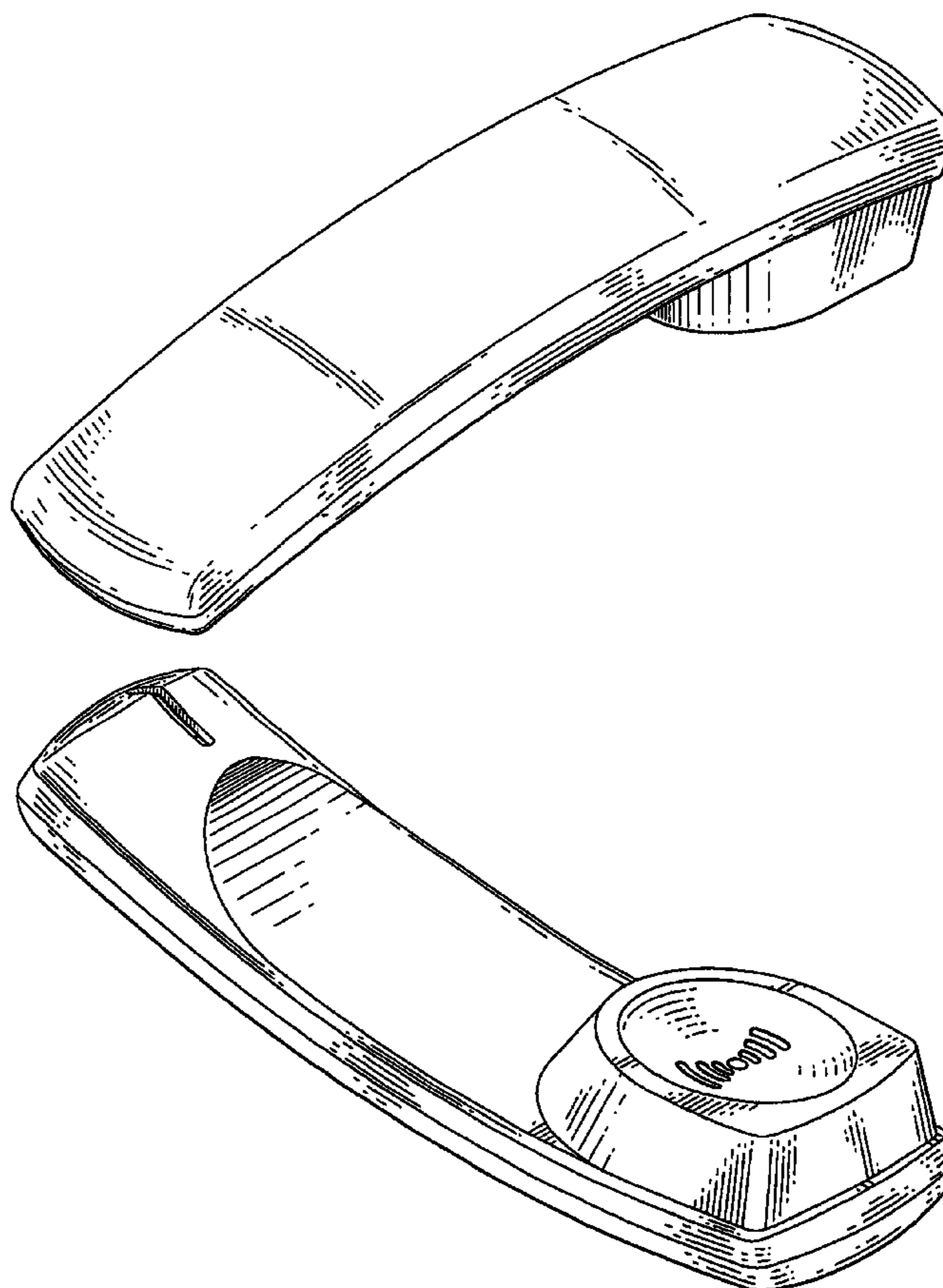
(57) **CLAIM**

The ornamental design for a handset, as shown and described.

DESCRIPTION

FIG. 1 is a front view of a handset;
FIG. 2 is a top view thereof;
FIG. 3 is a right-side view thereof;
FIG. 4 is a left-side view thereof;
FIG. 5 is a rear view thereof;
FIG. 6 is a bottom view thereof;
FIG. 7 is a rear perspective view thereof; and,
FIG. 8 is a front perspective view thereof.

1 Claim, 4 Drawing Sheets



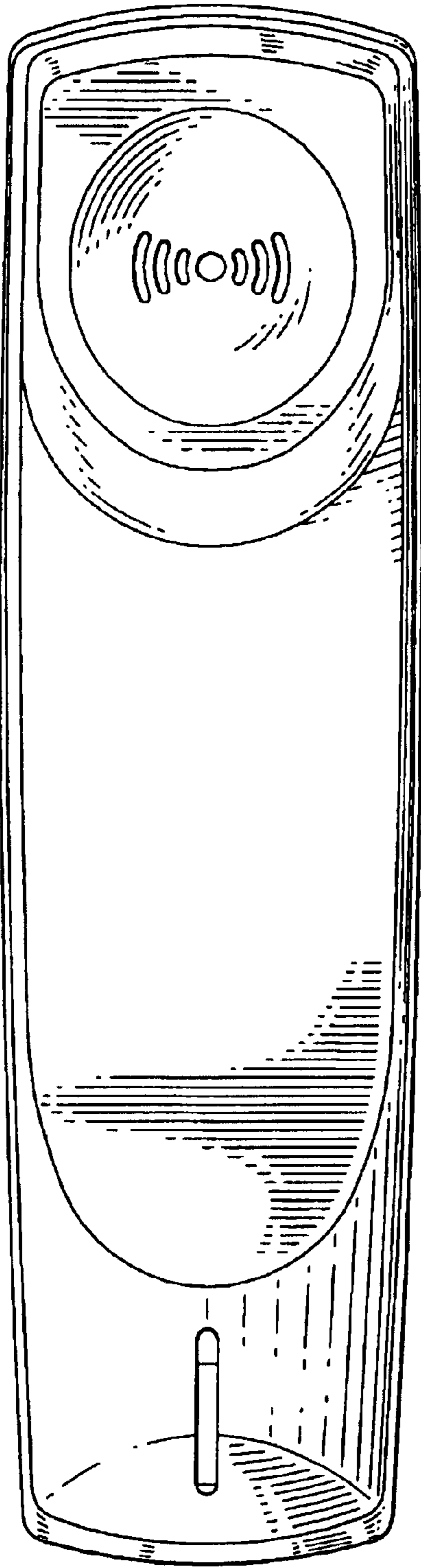


Fig. 1

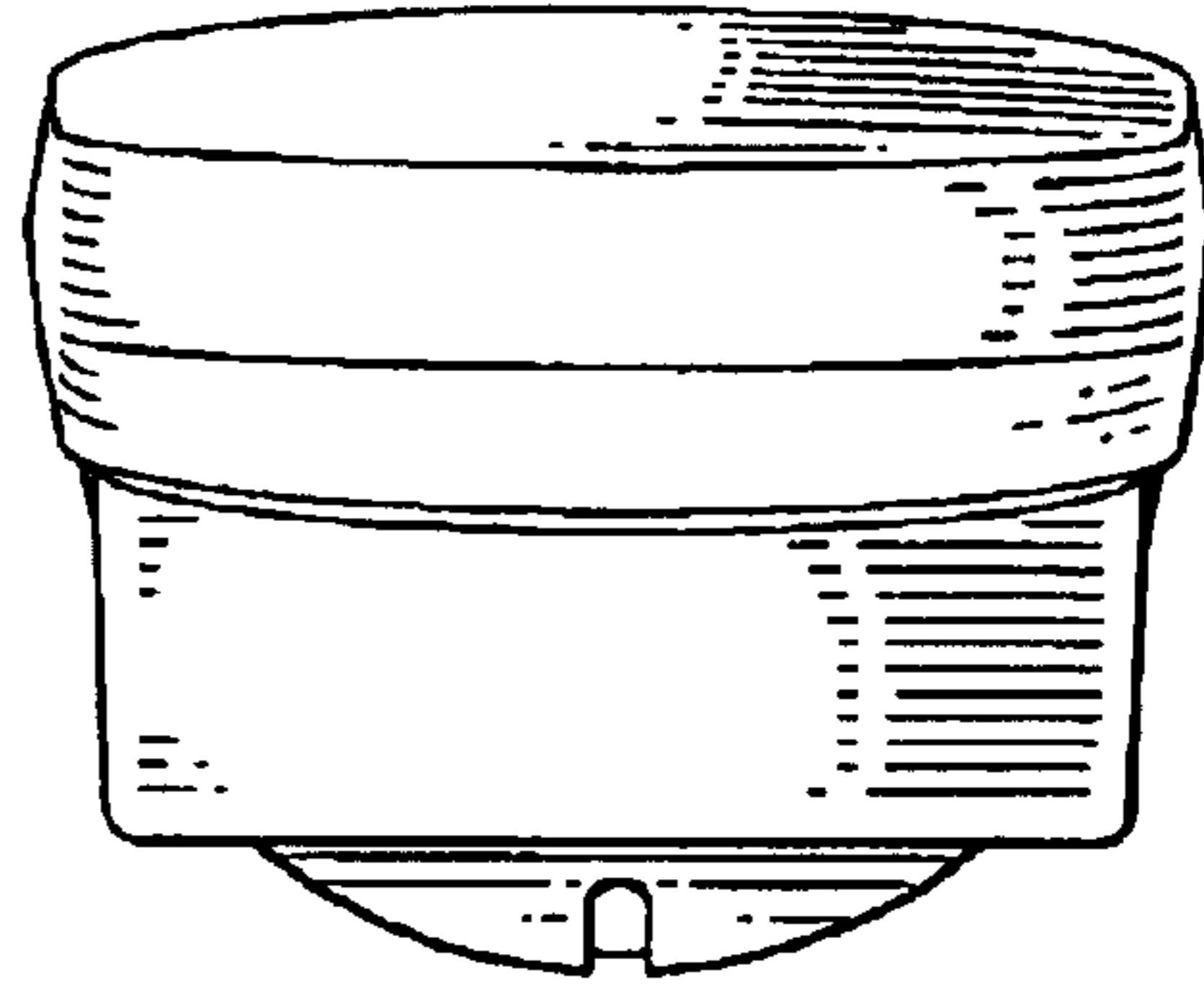


Fig. 2

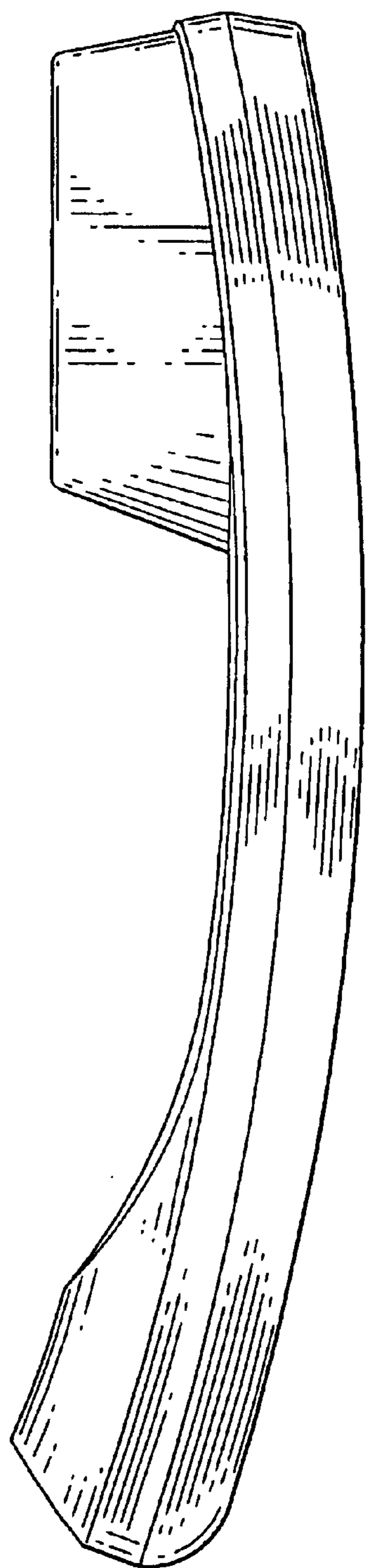


Fig. 3

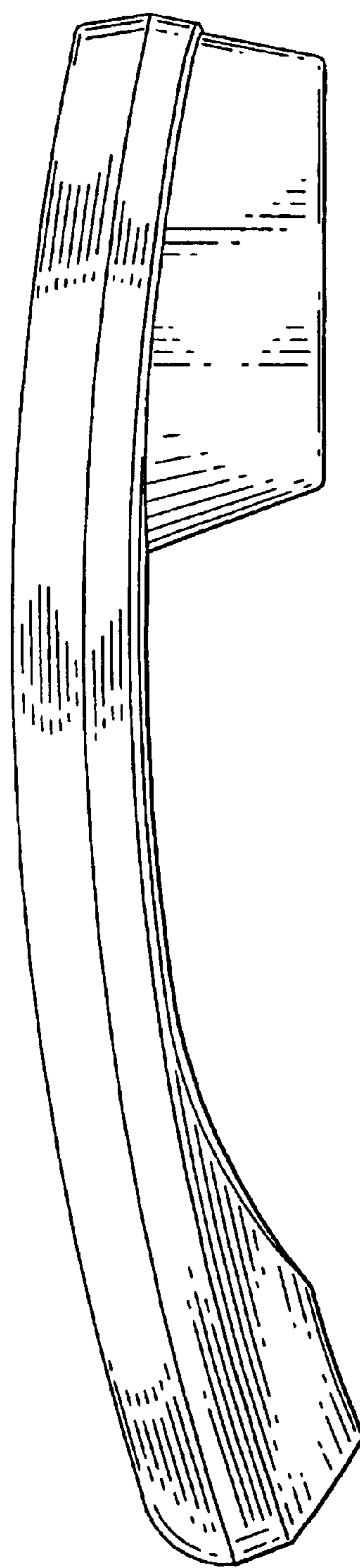


Fig. 4

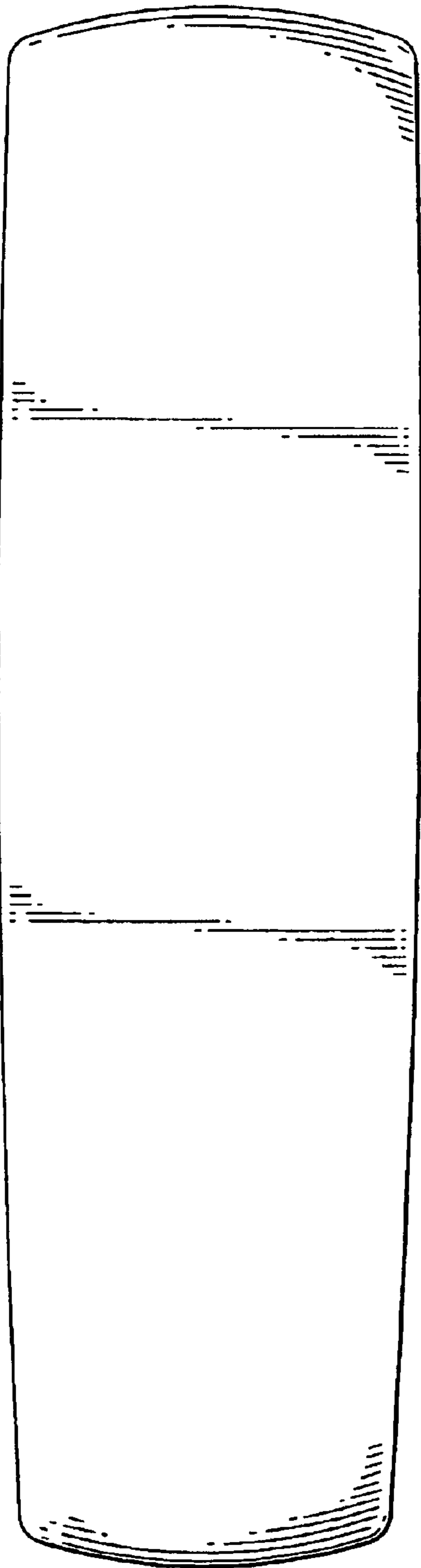


Fig. 5

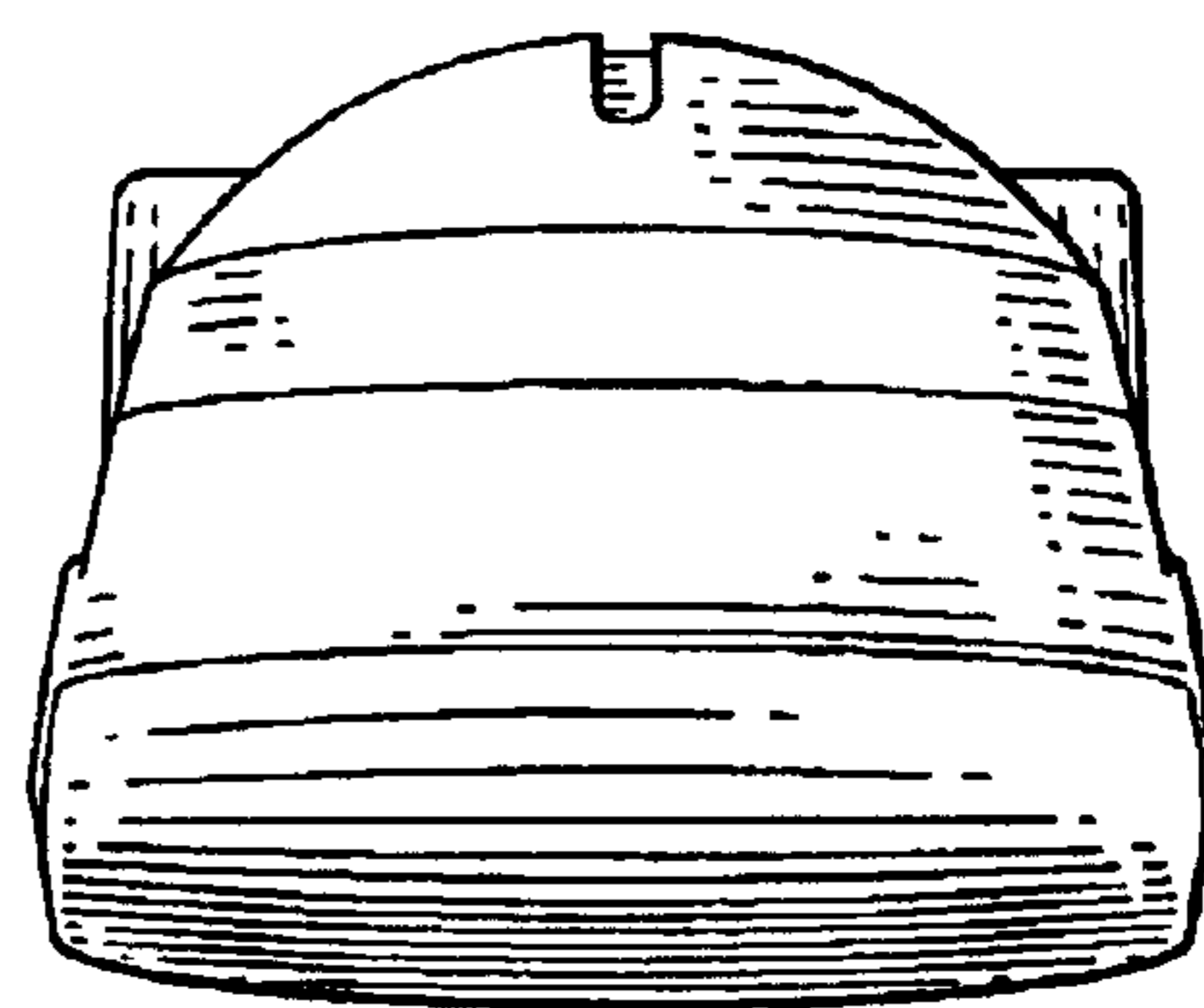


Fig. 6

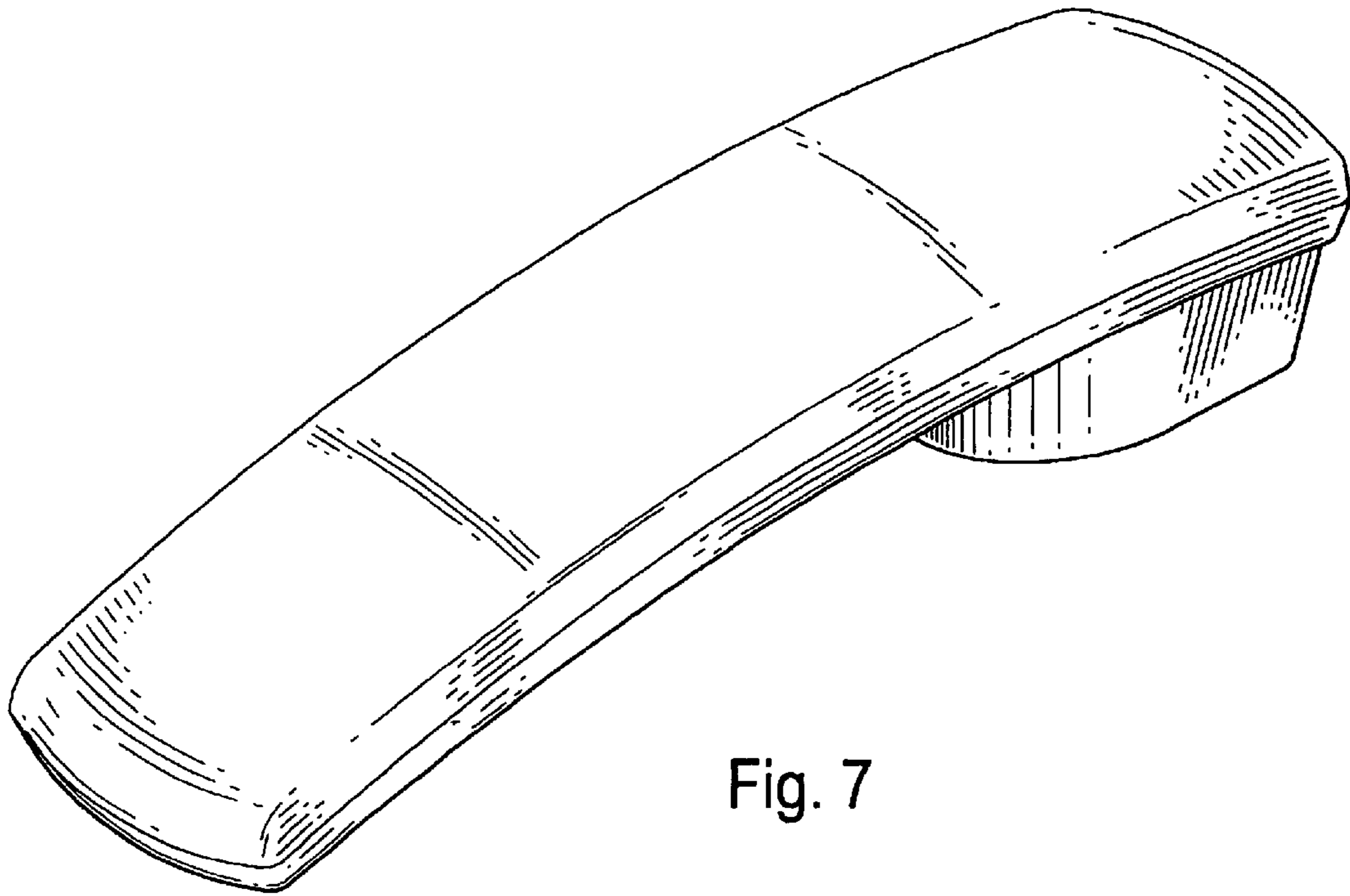


Fig. 7

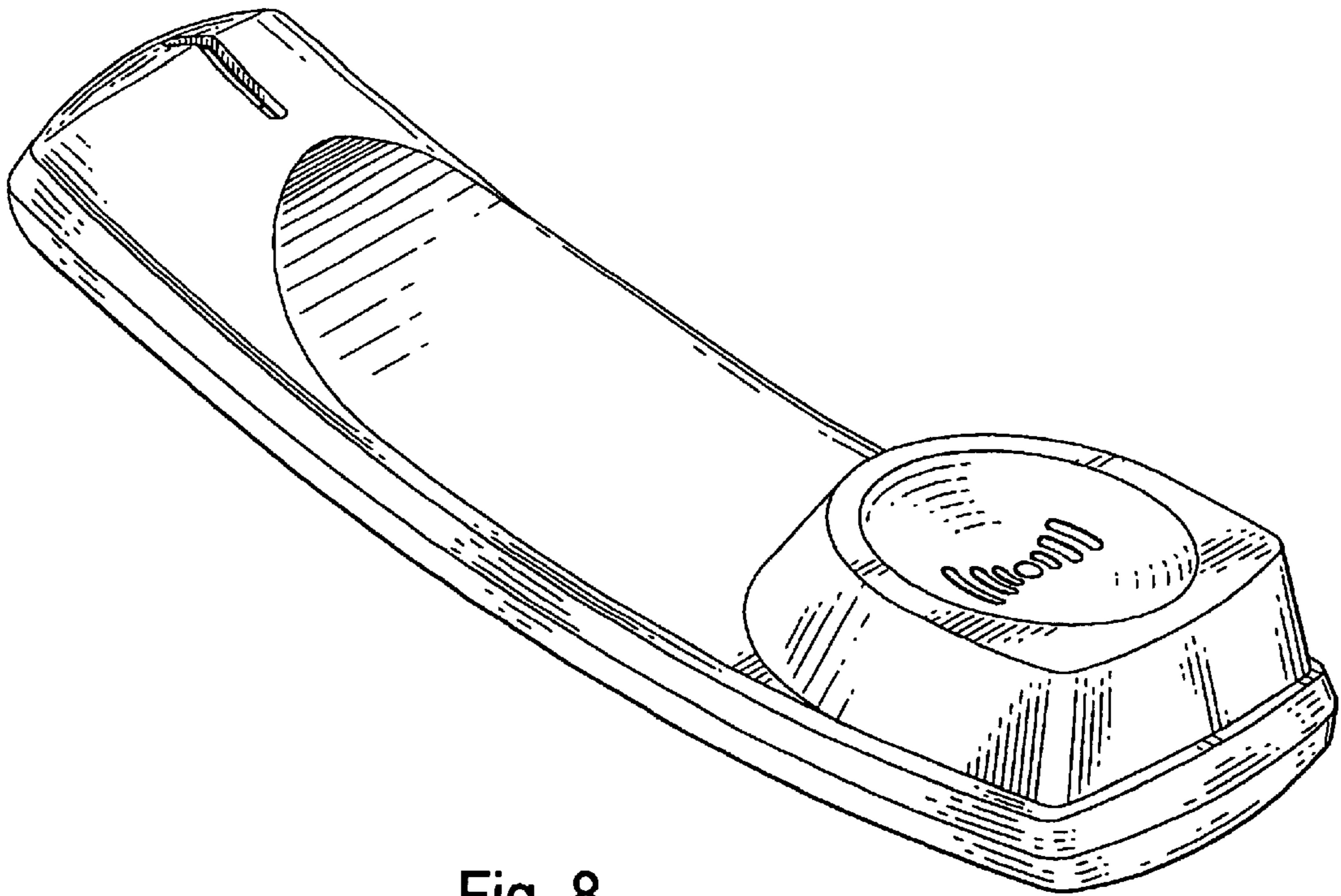


Fig. 8