

US00D534903S

(12) **United States Design Patent**
Hung et al.

(10) **Patent No.:** **US D534,903 S**

(45) **Date of Patent:** **** Jan. 9, 2007**

(54) **MULTI-BAND ANTENNA**

(75) Inventors: **Chen-Ta Hung**, Tu-Cheng (TW);
Lung-Sheng Tai, Tu-Cheng (TW);
Shang-Jen Chen, Tu-Cheng (TW)

(73) Assignee: **Hon Hai Precision Ind. Co., Ltd.**,
Taipei Hsien (TW)

(**) Term: **14 Years**

(21) Appl. No.: **29/245,551**

(22) Filed: **Dec. 23, 2005**

(30) **Foreign Application Priority Data**

Nov. 4, 2005 (TW) 94306681

(51) **LOC (8) Cl.** **14-03**

(52) **U.S. Cl.** **D14/230**

(58) **Field of Classification Search** D14/137,
D14/138, 230-238, 299, 358, 343; D12/42,
D12/43; 343/700 R-705, 871-908, 795,
343/840, 711-713, 819, 846; 455/90.2, 90.3,
455/91, 128, 269, 344, 347, 562.1

See application file for complete search history.

(56) **References Cited**

U.S. PATENT DOCUMENTS

D424,063 S * 5/2000 Kudo D14/230
D456,388 S * 4/2002 Hwang D14/230

* cited by examiner

Primary Examiner—Louis S. Zarfes

Assistant Examiner—John Windmuller

(74) *Attorney, Agent, or Firm*—Wei Te Chung

(57) **CLAIM**

The ornamental design for a multi-band antenna, as shown.

DESCRIPTION

FIG. 1 is a front top right perspective view of a multi-band antenna showing our new design;

FIG. 2 is a front elevational view thereof;

FIG. 3 is a rear elevational view thereof;

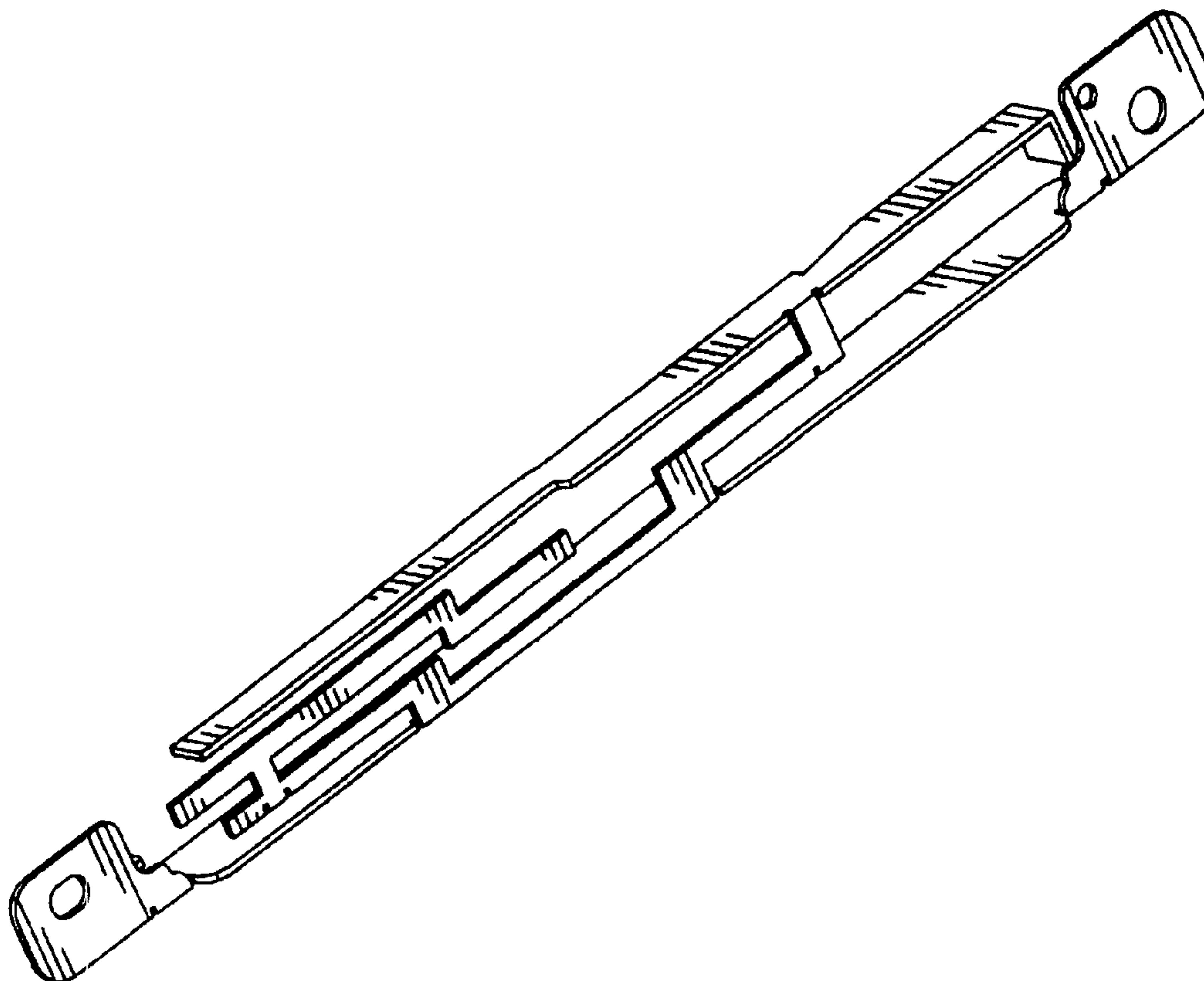
FIG. 4 is a left side elevational view thereof;

FIG. 5 is a right side elevational view thereof;

FIG. 6 is a top plan view thereof; and,

FIG. 7 is a bottom plan view thereof.

1 Claim, 7 Drawing Sheets



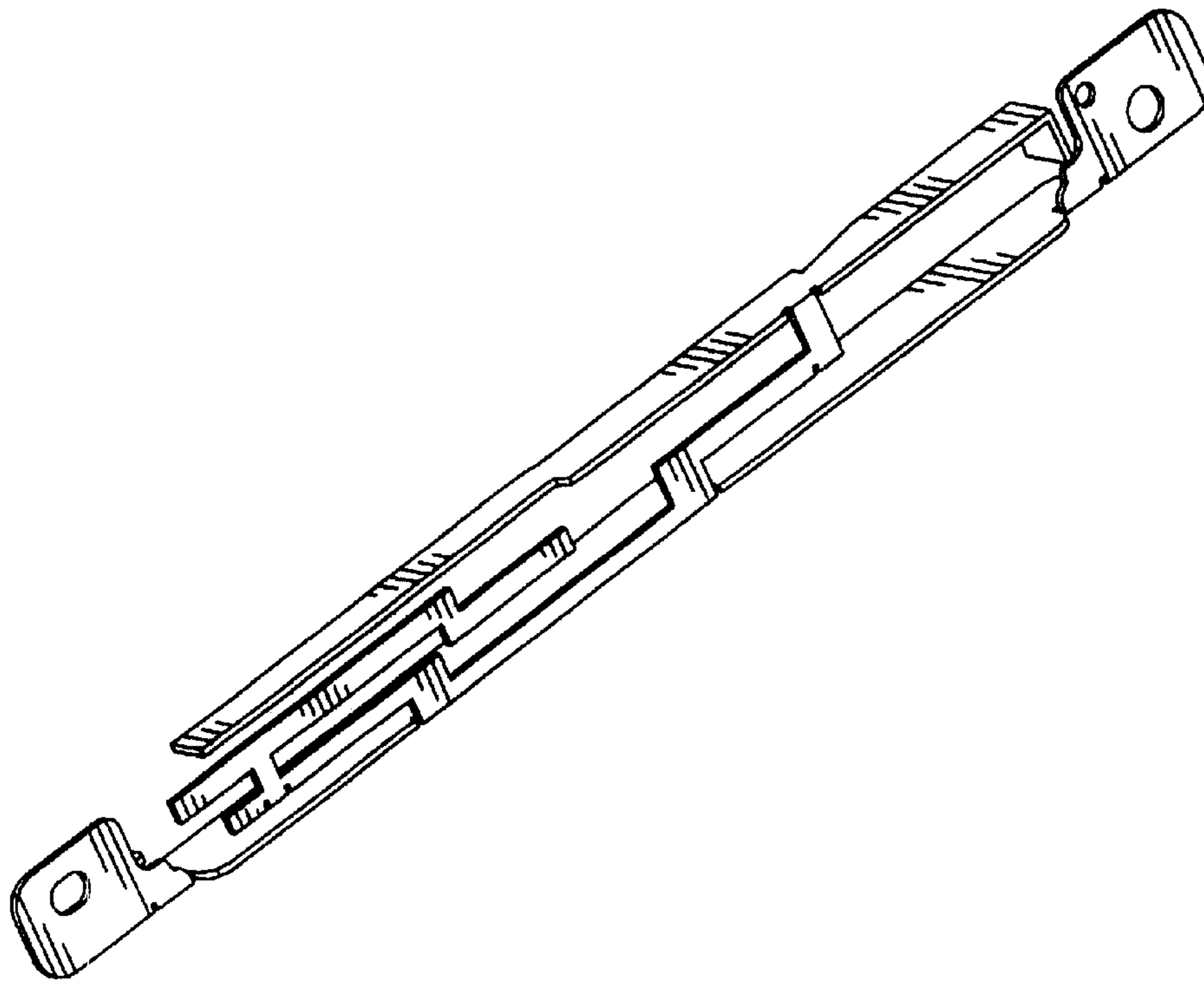


FIG. 1

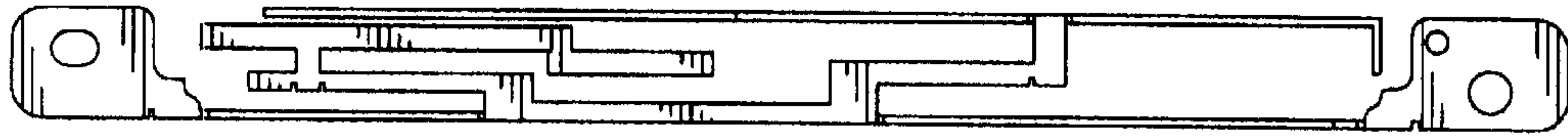


FIG. 2

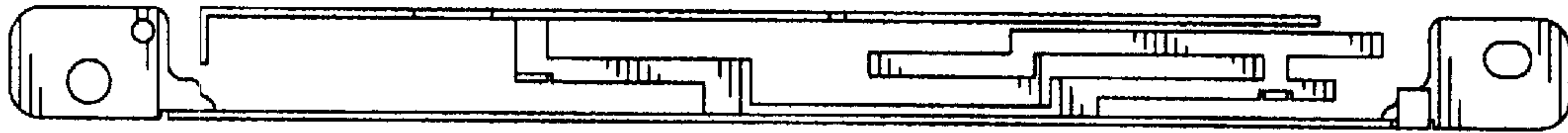


FIG. 3

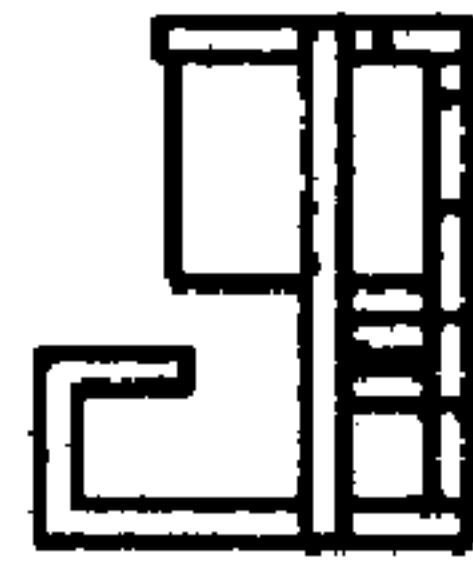


FIG. 4

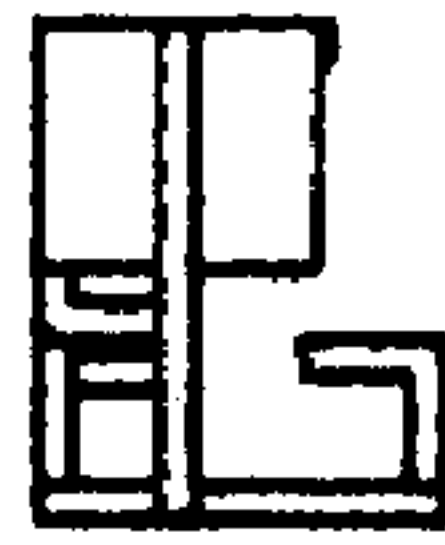


FIG. 5



FIG. 6

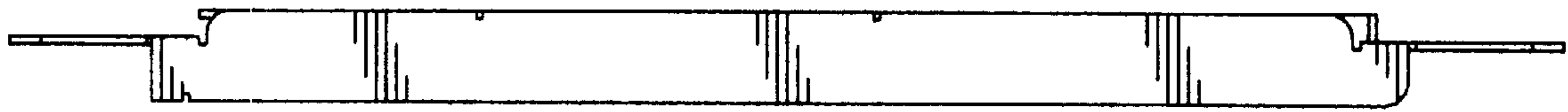


FIG. 7