



US00D534901S

(12) **United States Design Patent**
Ma et al.

(10) **Patent No.:** **US D534,901 S**
(45) **Date of Patent:** **** Jan. 9, 2007**

(54) **MICROPHONE BOOT**

(75) Inventors: **Jeong J. Ma**, Buffalo Grove, IL (US);
Thomas E. Gitzinger, Libertyville, IL
(US); **David P. Townsend**, Village of
Lakewood, IL (US)

(73) Assignee: **Motorola, Inc.**, Schaumburg, IL (US)

(**) Term: **14 Years**

(21) Appl. No.: **29/244,570**

(22) Filed: **Dec. 12, 2005**

(51) **LOC (8) Cl.** **14-01**

(52) **U.S. Cl.** **D14/229**

(58) **Field of Classification Search** D14/138,
D14/217, 218, 149, 240, 253, 225, 228, 451,
D14/229; D13/103, 107, 108, 110; D6/526;
D28/38; D24/166

See application file for complete search history.

(56) **References Cited**

U.S. PATENT DOCUMENTS

D224,118 S * 7/1972 Hartz D13/103
D242,675 S * 12/1976 McNair D28/38
D244,857 S * 6/1977 Hayes D24/166

D251,970 S * 5/1979 Fujita D14/229
D305,119 S * 12/1989 Pfeifer et al. D14/142
D370,375 S * 6/1996 Murgida et al. D6/526
D402,625 S * 12/1998 Smith D13/108
D414,180 S * 9/1999 Waldner D14/149
D462,337 S * 9/2002 Schmidt et al. D14/149
D503,700 S * 4/2005 Mamero D14/149

* cited by examiner

Primary Examiner—Paula A. Greene

(74) *Attorney, Agent, or Firm*—David S. Noskowicz

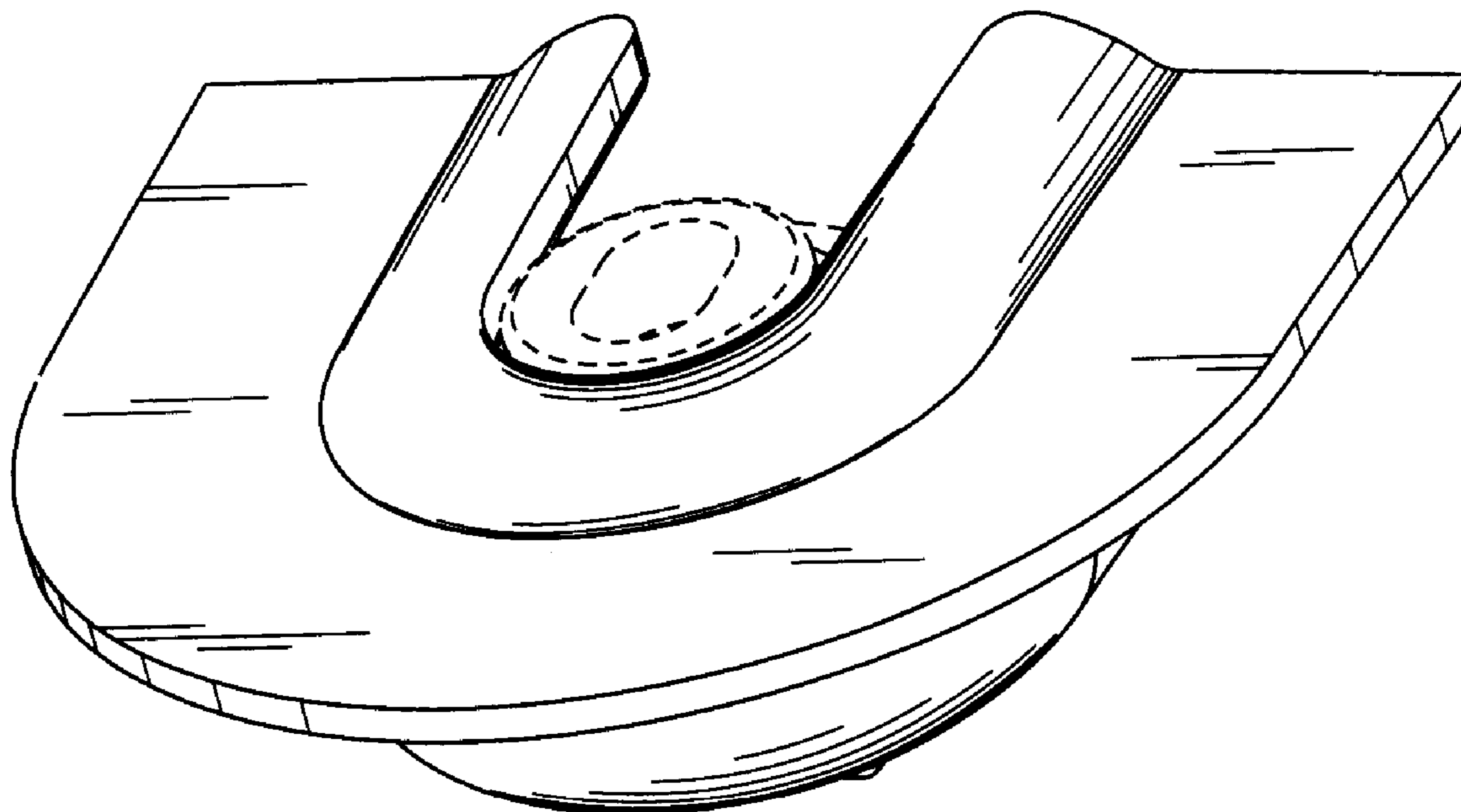
(57) **CLAIM**

An ornamental microphone boot, as shown and described.

DESCRIPTION

FIG. 1 is a front perspective view of a microphone boot showing our new design;
FIG. 2 is a front elevational view thereof;
FIG. 3 is a rear elevational view thereof;
FIG. 4 is a bottom end elevational view thereof;
FIG. 5 is a top end elevational view thereof;
FIG. 6 is a side elevational view thereof; and,
FIG. 7 is an opposite side elevational view thereof.
The broken lines are for illustrative purposes only and forms no part of the claimed design.

1 Claim, 4 Drawing Sheets



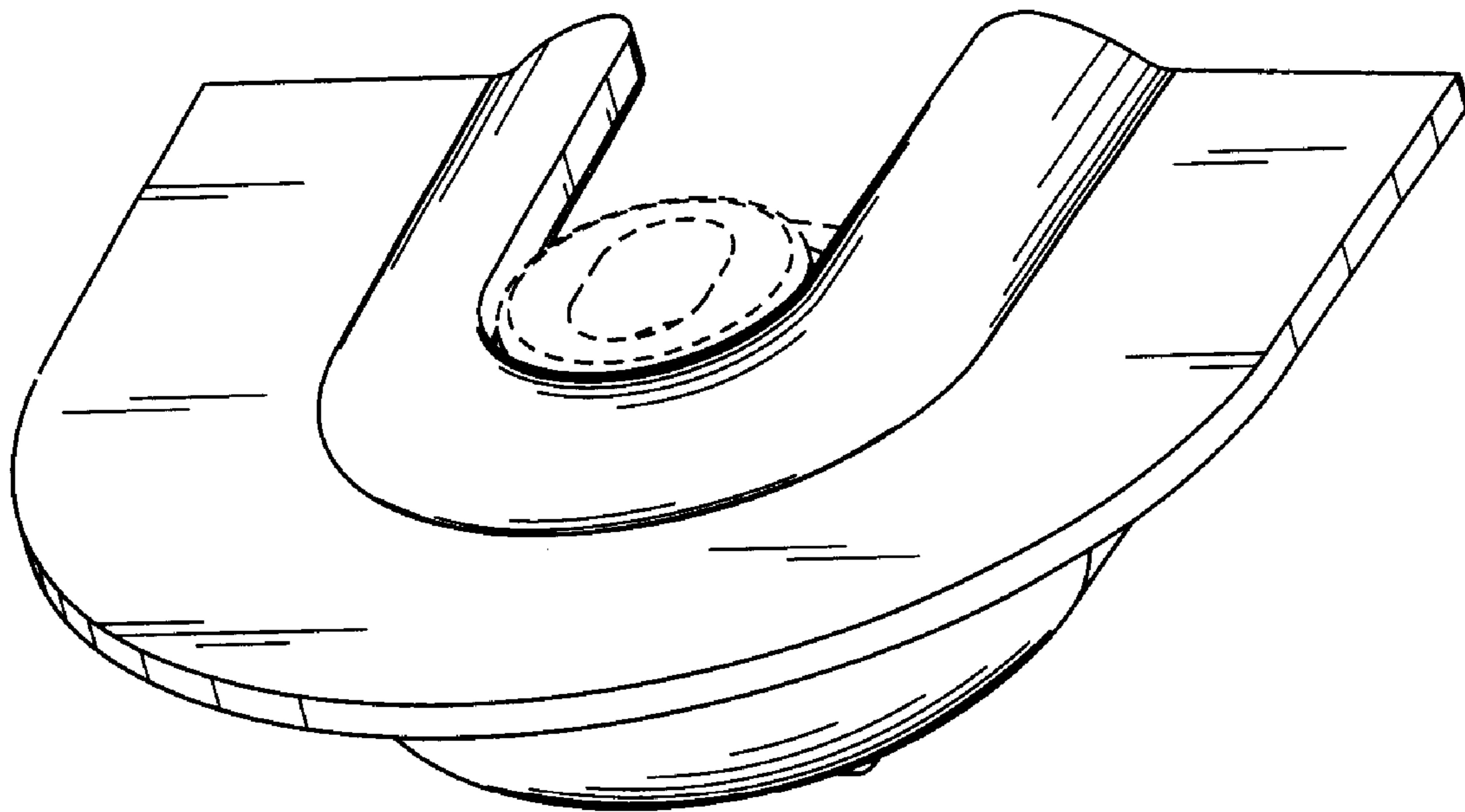


FIG. 1

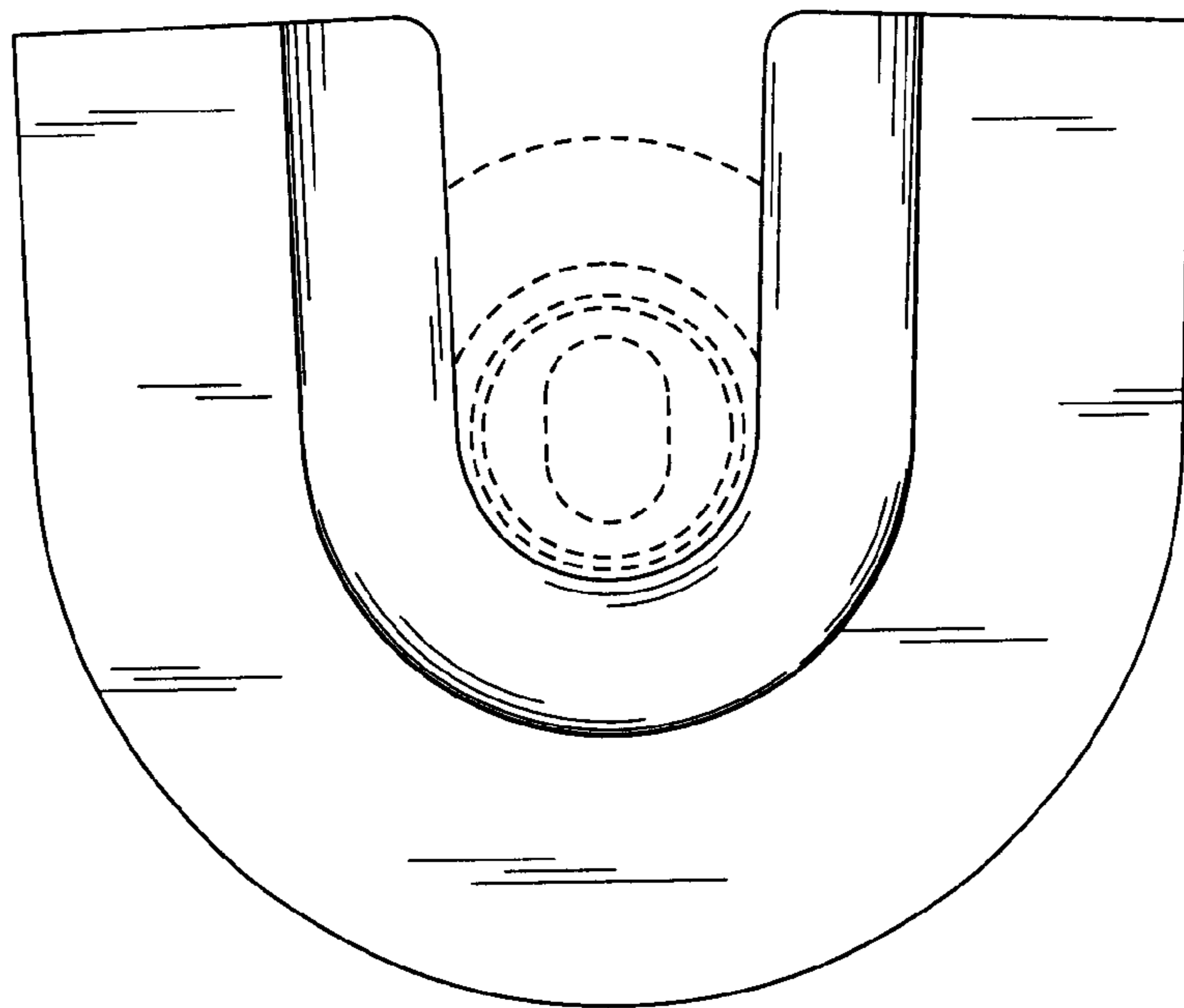


FIG. 2

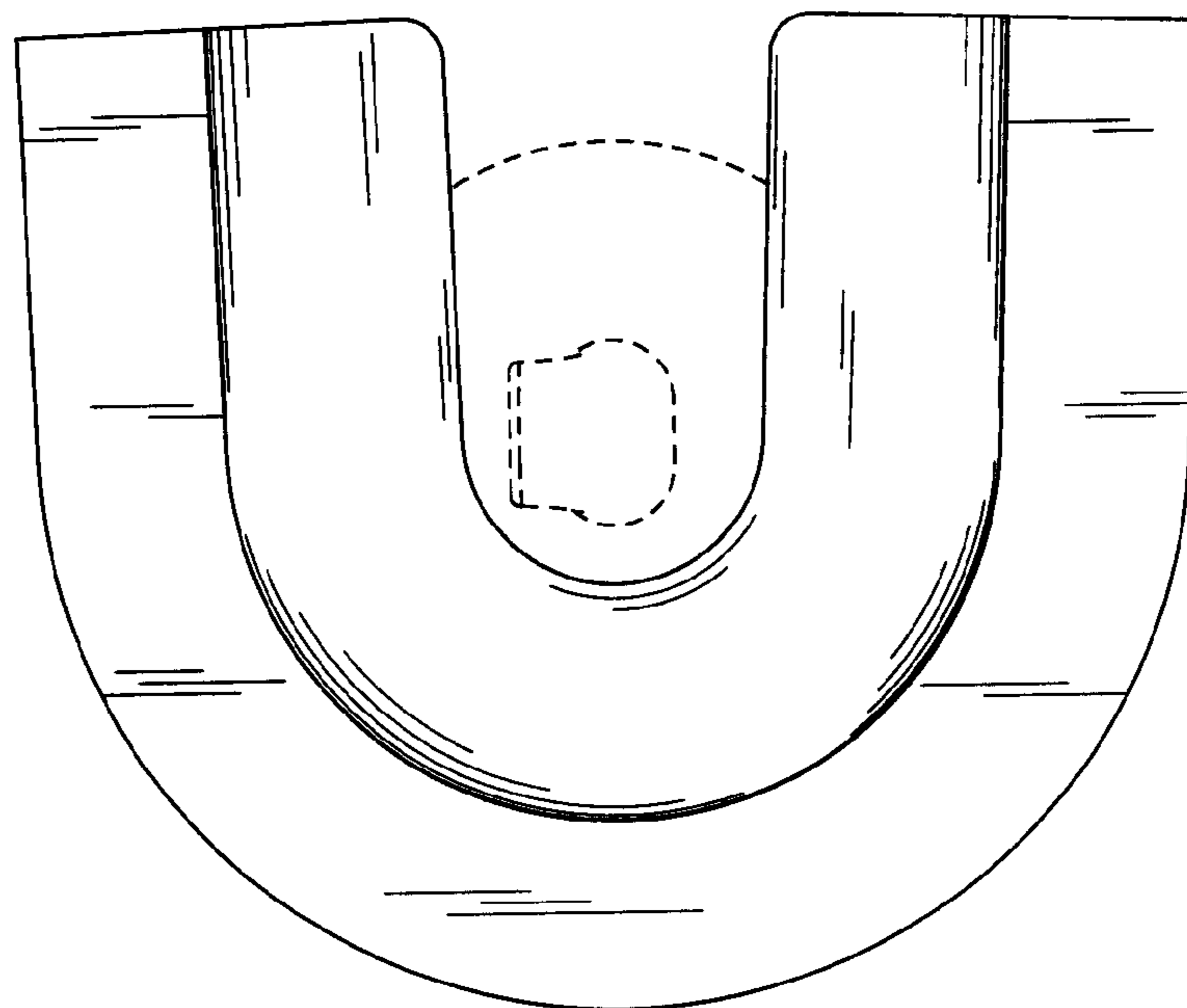


FIG. 3

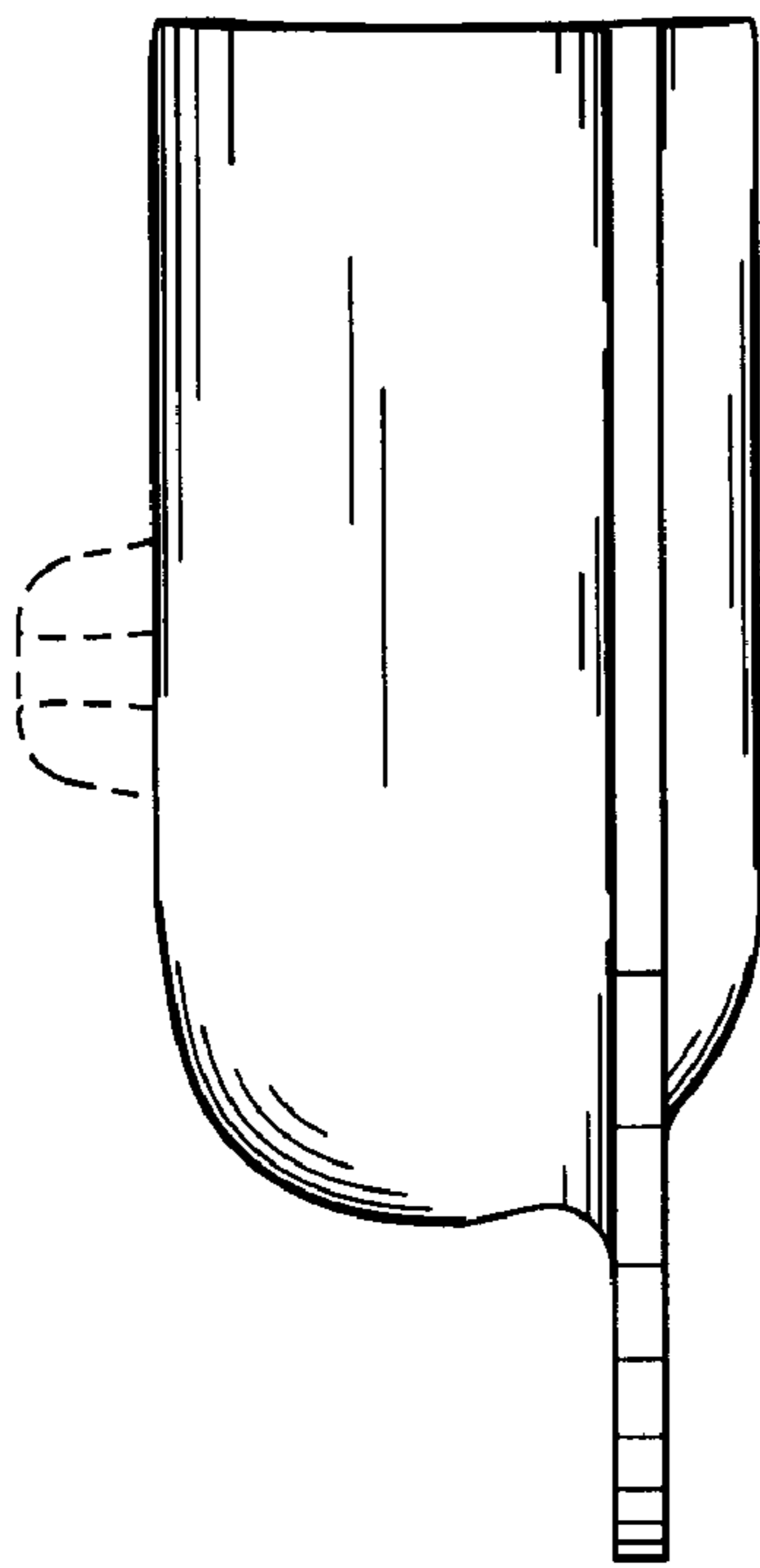


FIG. 4

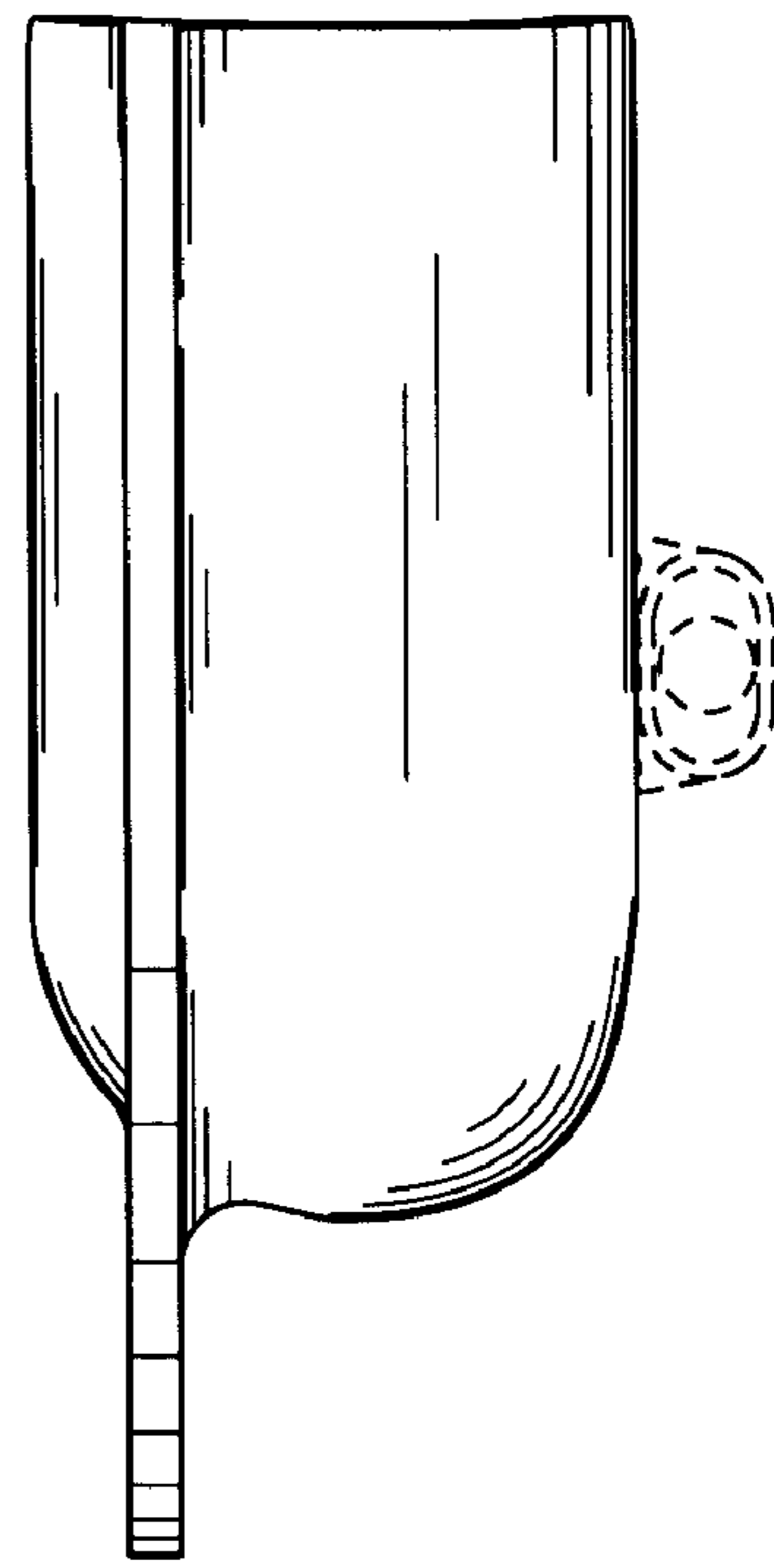


FIG. 5

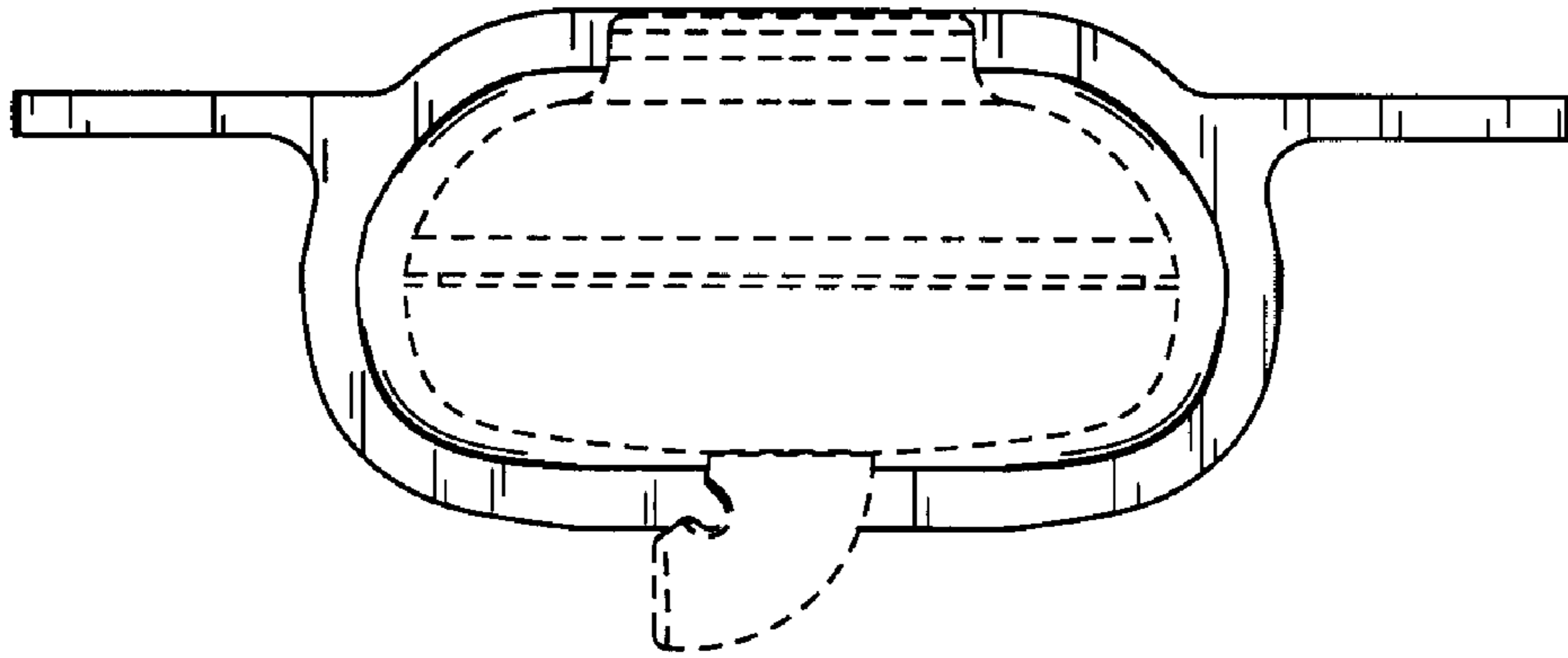


FIG. 6

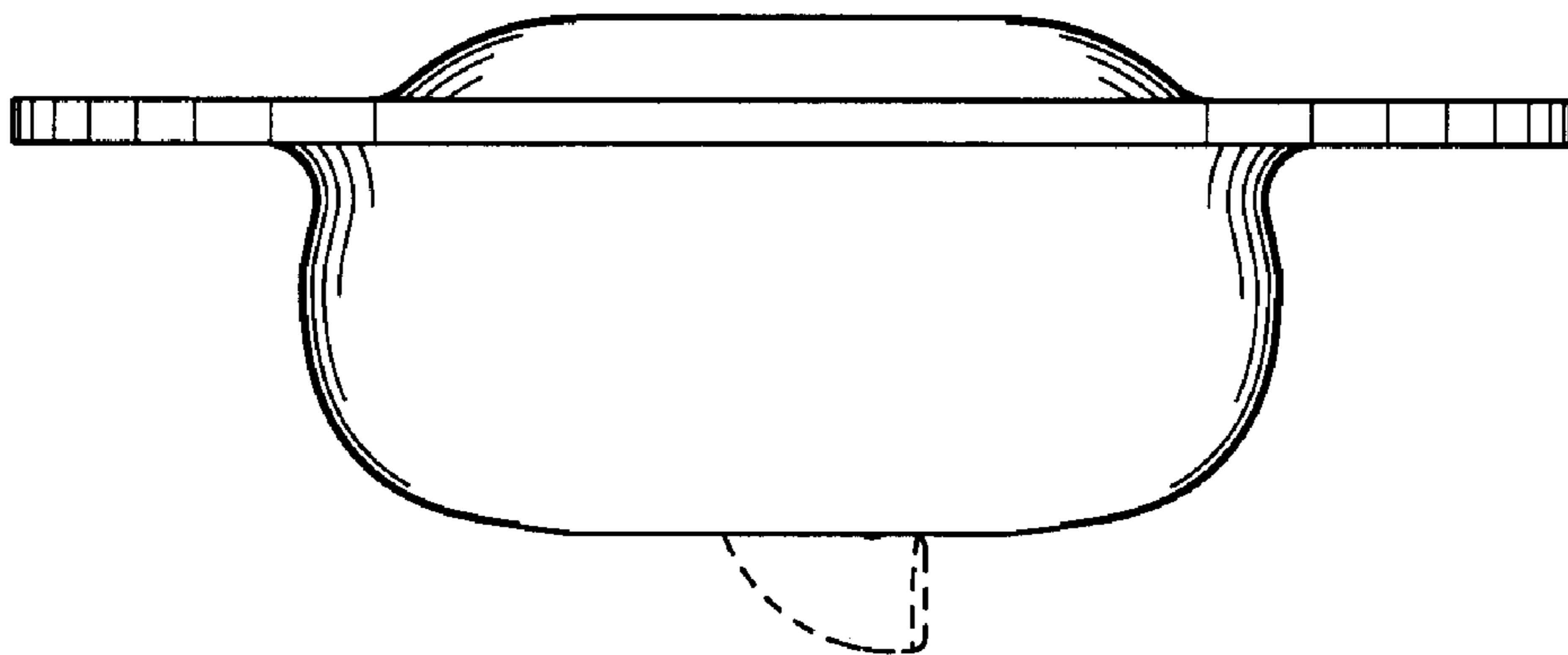


FIG. 7