



US00D534900S

(12) **United States Design Patent**  
**Weitgasser et al.**

(10) **Patent No.:** **US D534,900 S**

(45) **Date of Patent:** **\*\* Jan. 9, 2007**

(54) **REMOTE CONTROL**

(75) Inventors: **Erwin Weitgasser**, Salzburg (AT);  
**Detlev Magerer**, Salzburg (AT);  
**Ferdinand Maier**, Neumarkt (AT)

(73) Assignee: **Ruwido Austria Gesellschaft M.B.H.**,  
Neumarkt Am Wallersee (AU)

(\*\*) Term: **14 Years**

(21) Appl. No.: **29/241,180**

(22) Filed: **Oct. 25, 2005**

(30) **Foreign Application Priority Data**

Apr. 26, 2005 (EM) ..... 000331418

(51) **LOC (8) Cl.** ..... **14-03**

(52) **U.S. Cl.** ..... **D14/218**

(58) **Field of Classification Search** ..... D14/174,  
D14/217, 218, 137-139, 151, 191-193, 299,  
D14/167, 168; D13/168, 162-164; D21/512-517,  
D21/566; D10/104, 106; 455/352-355, 151.1-151.4,  
455/128, 347, 90.3; 348/114, 734  
See application file for complete search history.

(56) **References Cited**

**U.S. PATENT DOCUMENTS**

D301,037 S \* 5/1989 Matsuda ..... D14/218

D310,219 S \* 8/1990 Carlile ..... D14/159  
D357,018 S \* 4/1995 Takami ..... D14/218  
D373,318 S \* 9/1996 Berch et al. .... D10/106  
D515,041 S \* 2/2006 Yun et al. .... D13/168  
D518,475 S \* 4/2006 Yang et al. .... D14/218

\* cited by examiner

*Primary Examiner*—Louis S. Zarfes

*Assistant Examiner*—John Windmuller

(74) *Attorney, Agent, or Firm*—Senniger Powers

(57) **CLAIM**

The ornamental design for a remote control, as shown and described.

**DESCRIPTION**

FIG. 1 is a front perspective view of a remote control showing our new design.

FIG. 2 is a rear perspective view thereof.

FIG. 3 is a top plan view thereof.

FIG. 4 is a bottom plan view thereof.

FIG. 5 is a front plan view thereof.

FIG. 6 is a left side elevational view thereof; and,

FIG. 7 is a right side elevational view thereof.

**1 Claim, 7 Drawing Sheets**

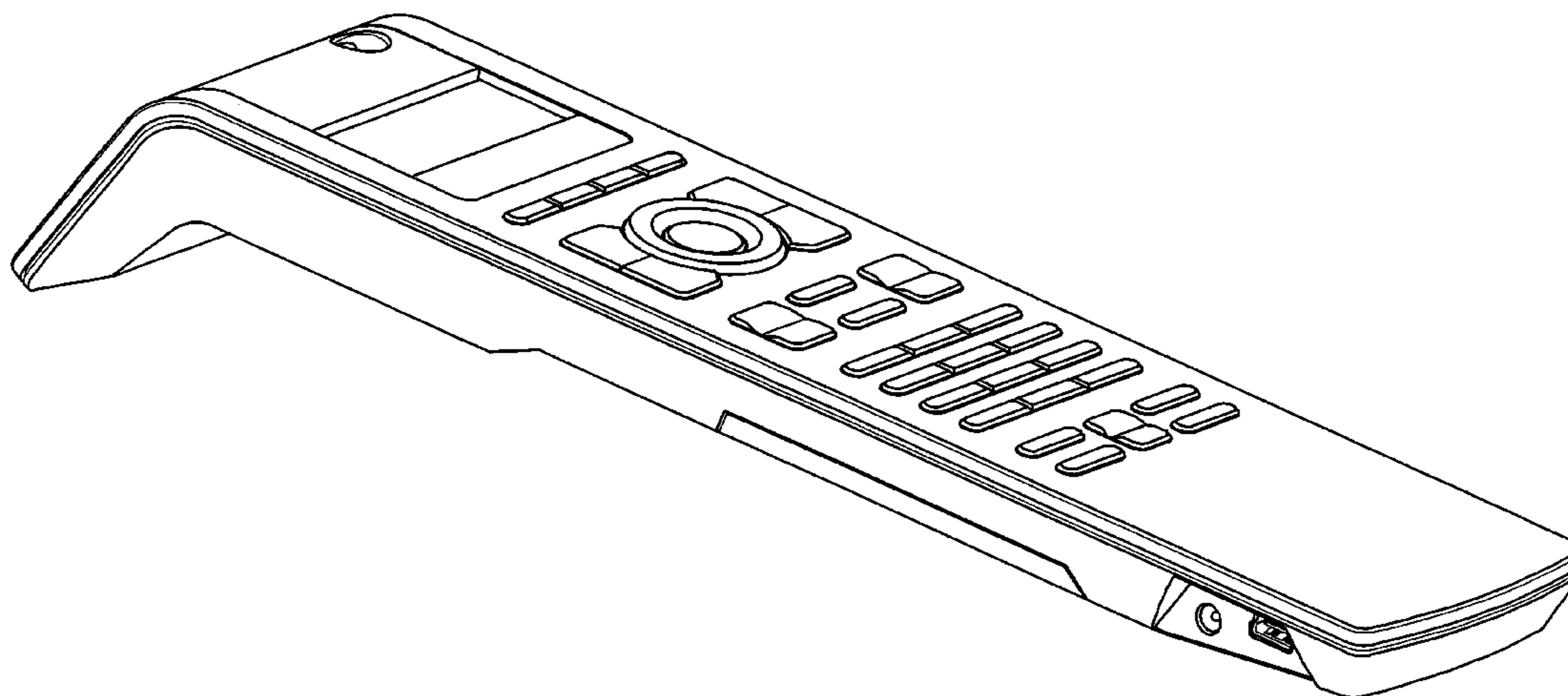
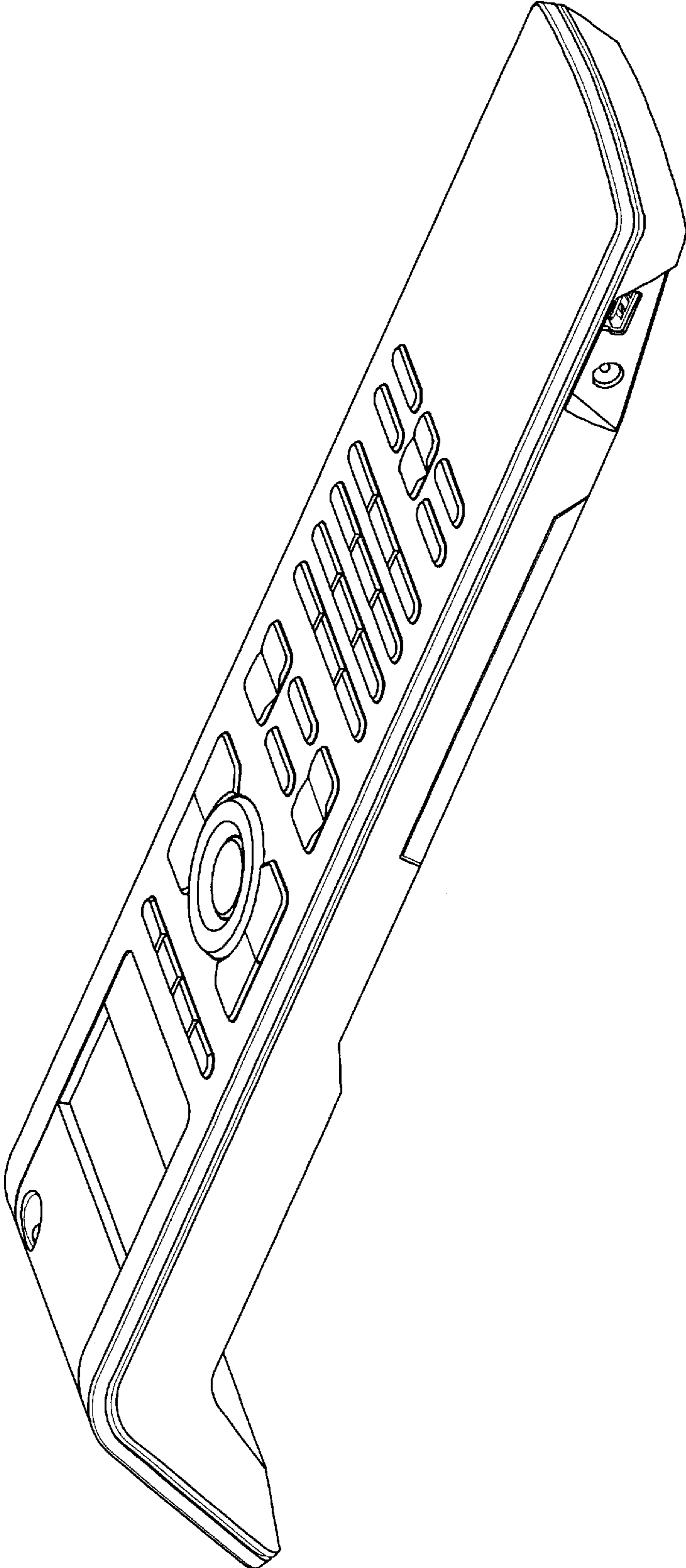


FIG. 1



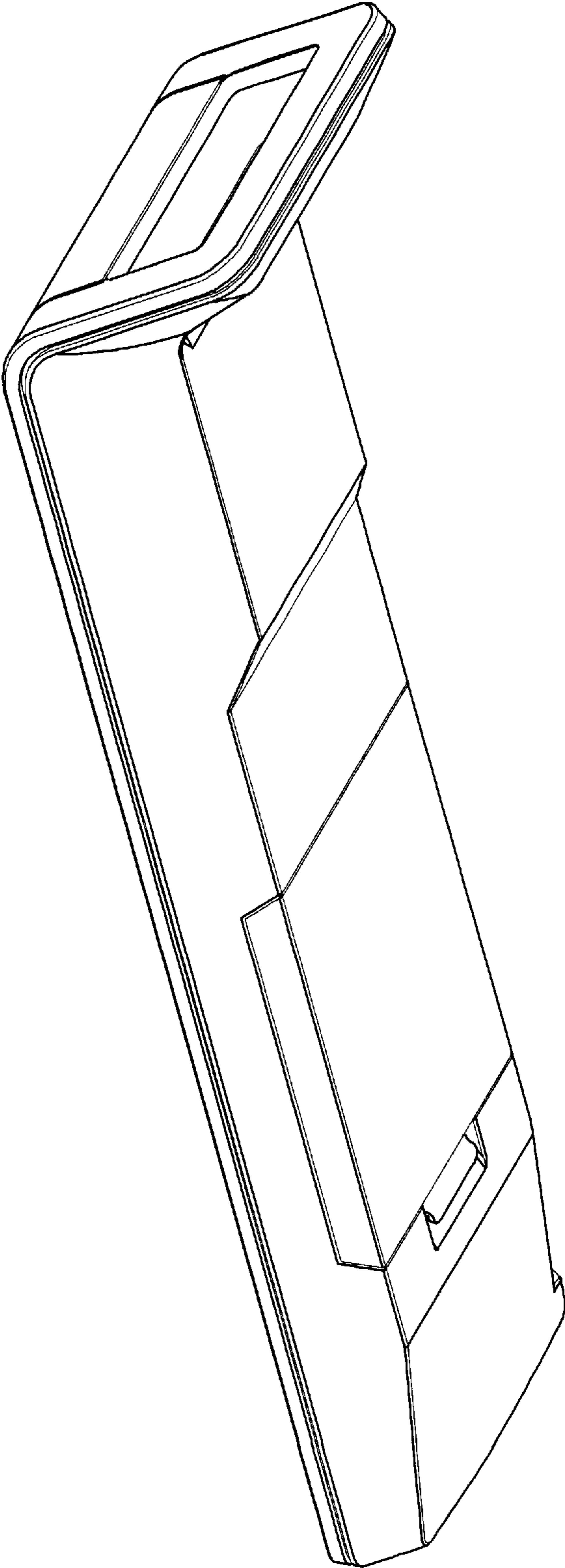


FIG. 2

FIG. 3

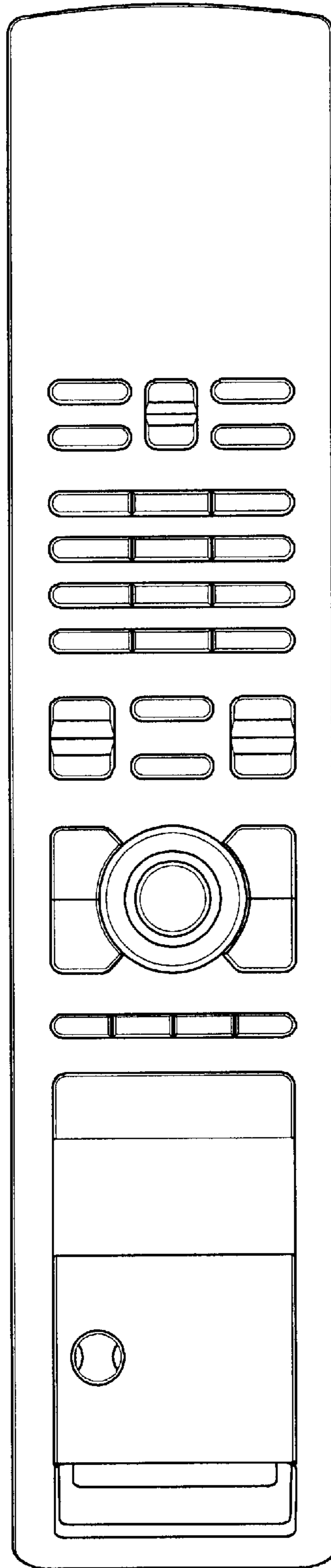


FIG. 4

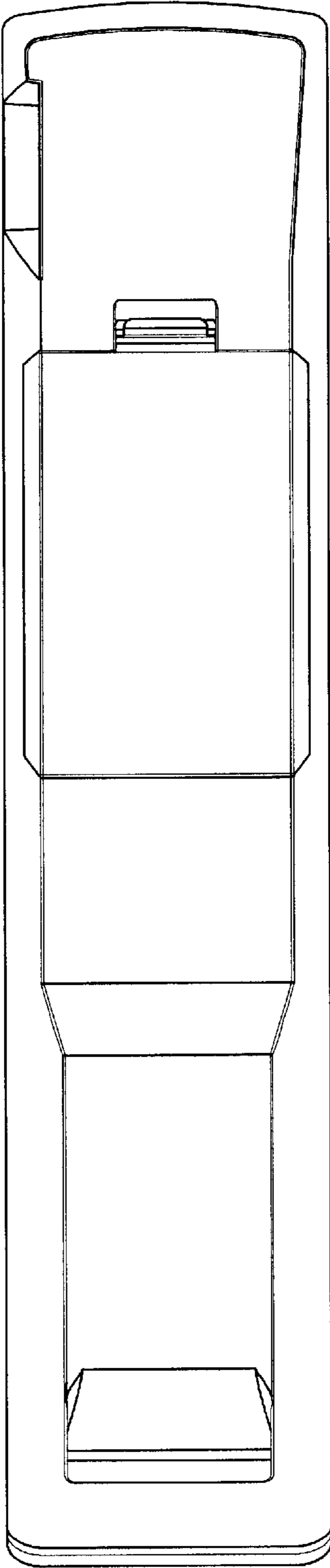


FIG. 5

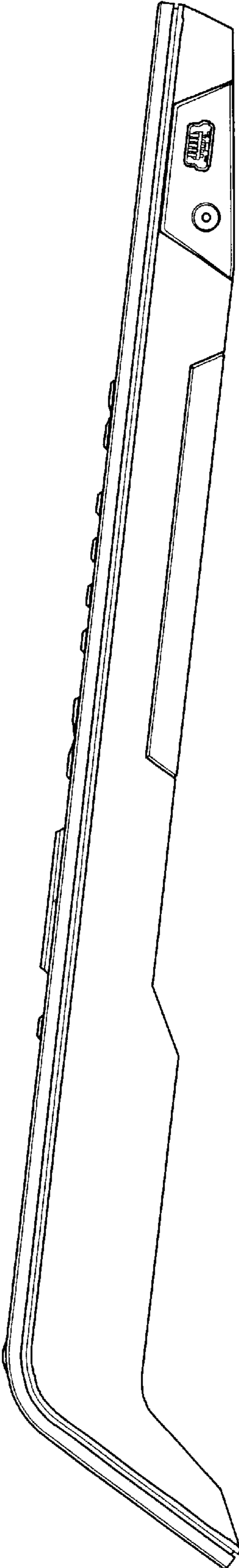


FIG. 6

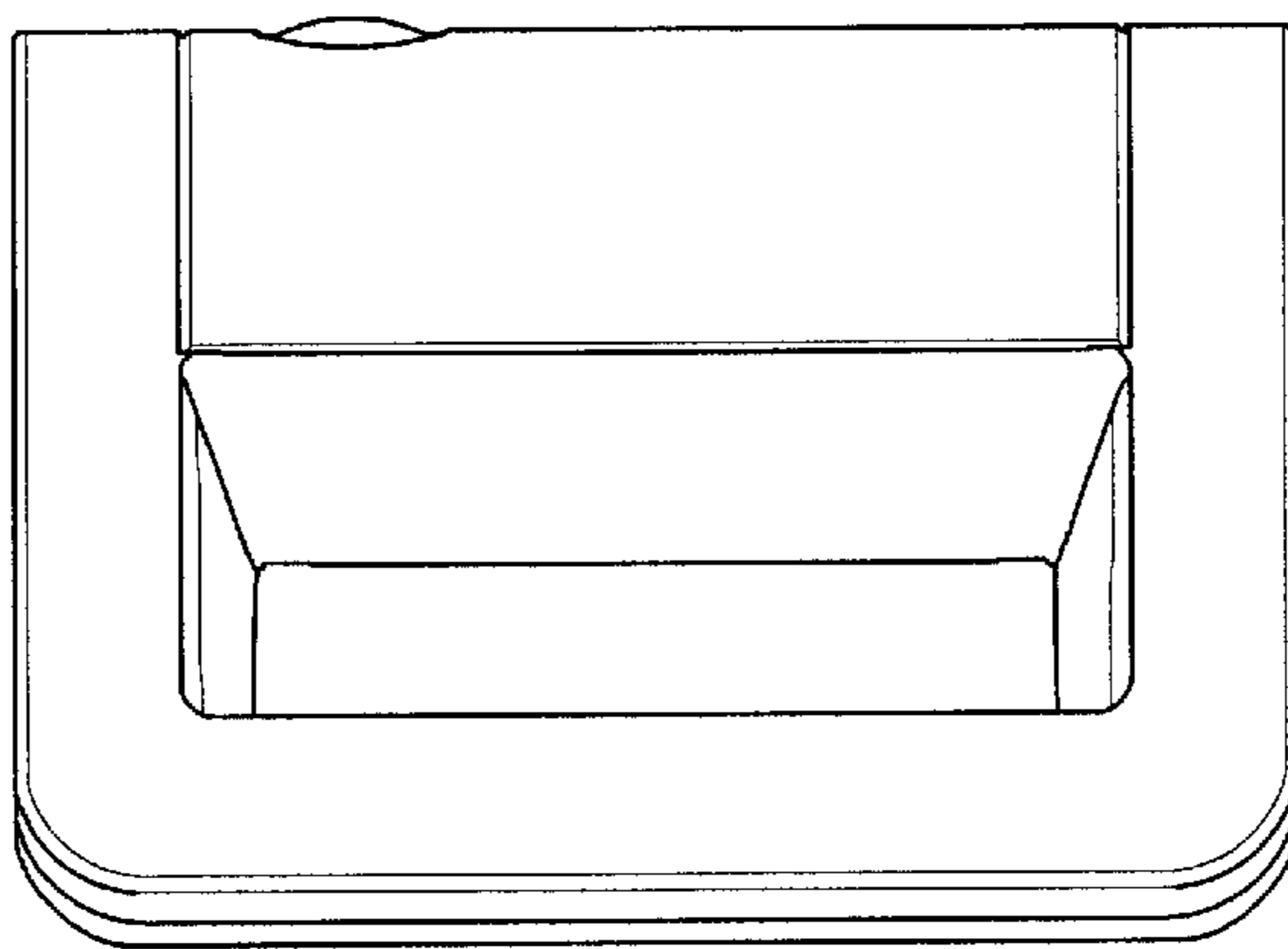


FIG. 7

