



US00D534899S

(12) **United States Design Patent**
Shimokawatoko et al.

(10) **Patent No.:** **US D534,899 S**

(45) **Date of Patent:** **** Jan. 9, 2007**

(54) **SPEAKER**

(75) Inventors: **Takeshi Shimokawatoko**, Hisai (JP);
Koji Sano, Matsusaka (JP); **Kazutaka Kubo**, Matsusaka (JP)

(73) Assignee: **Matsushita Electric Industrial Co., Ltd.**, Osaka (JP)

(**) Term: **14 Years**

(21) Appl. No.: **29/243,719**

(22) Filed: **Nov. 30, 2005**

(30) **Foreign Application Priority Data**

Aug. 25, 2005 (JP) 2005-024560

(51) **LOC (8) Cl.** **14-01**

(52) **U.S. Cl.** **D14/216**

(58) **Field of Classification Search** D14/204,
D14/207, 209–216, 356; 181/143–144, 147–148,
181/150, 157, 198–199, 151, 153; 381/300–302,
381/306, 333, 345, 361–364, 386–388, 332,
381/336

See application file for complete search history.

(56) **References Cited**

U.S. PATENT DOCUMENTS

D285,303 S * 8/1986 van de Ven D14/215

D446,785 S * 8/2001 Ohta D14/216
D472,887 S * 4/2003 Right et al. D14/172
D487,083 S * 2/2004 Asahina et al. D14/216
D503,704 S * 4/2005 Yao D14/216

FOREIGN PATENT DOCUMENTS

JP D1231409 2/2005
JP D1231736 2/2005

* cited by examiner

Primary Examiner—Nanda Bondade

(74) *Attorney, Agent, or Firm*—Brinks Hofer Gilson & Lione

(57) **CLAIM**

We claim the ornamental design for a speaker, as shown and described.

DESCRIPTION

FIG. 1 is a front perspective view of a speaker of the present invention;

FIG. 2 is a rear perspective view thereof;

FIG. 3 is a front view thereof;

FIG. 4 is a top view thereof;

FIG. 5 is a first side view thereof;

FIG. 6 is a second side view thereof;

FIG. 7 is a bottom view thereof; and,

FIG. 8 is a rear view thereof.

1 Claim, 4 Drawing Sheets

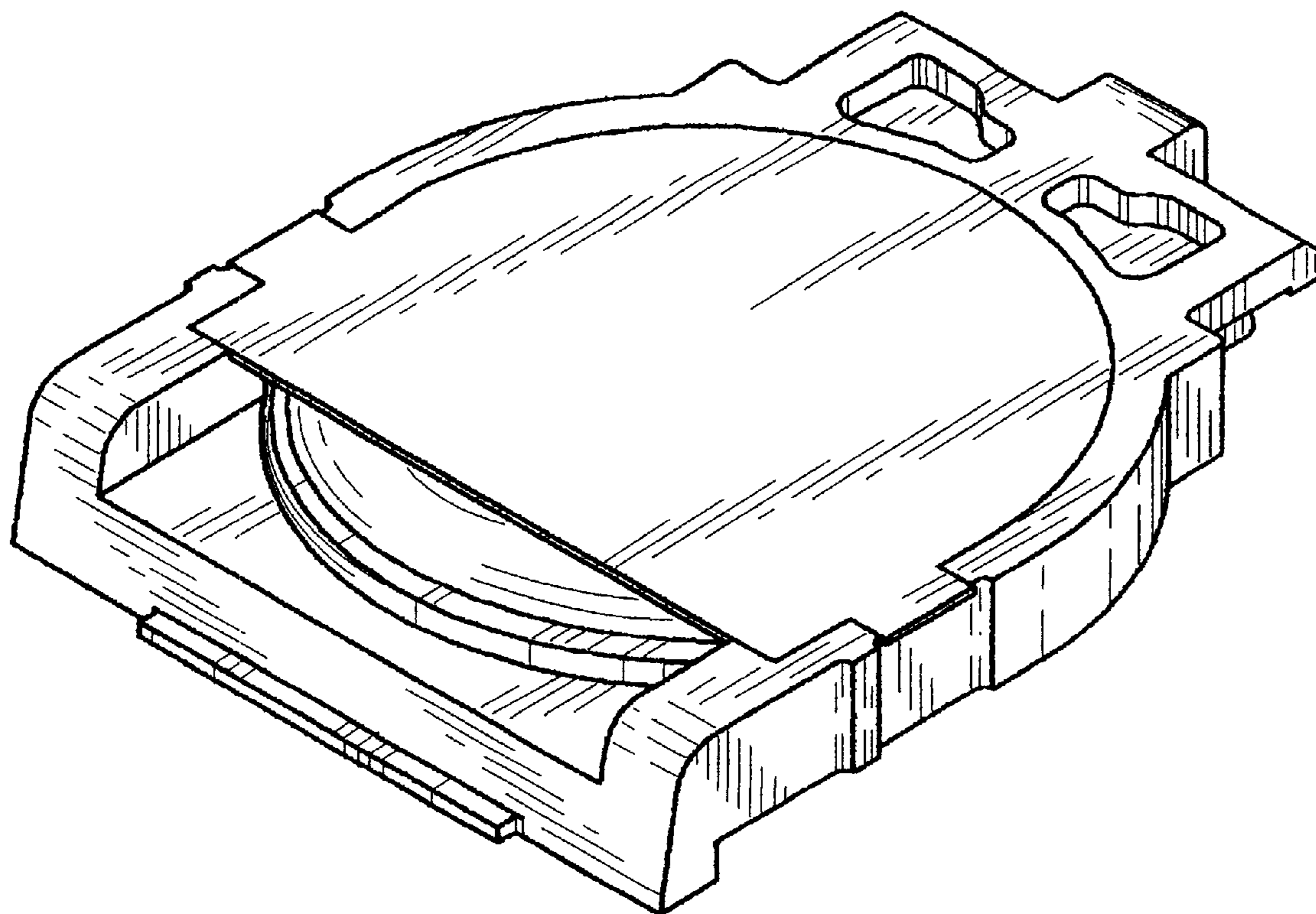


FIG. 1

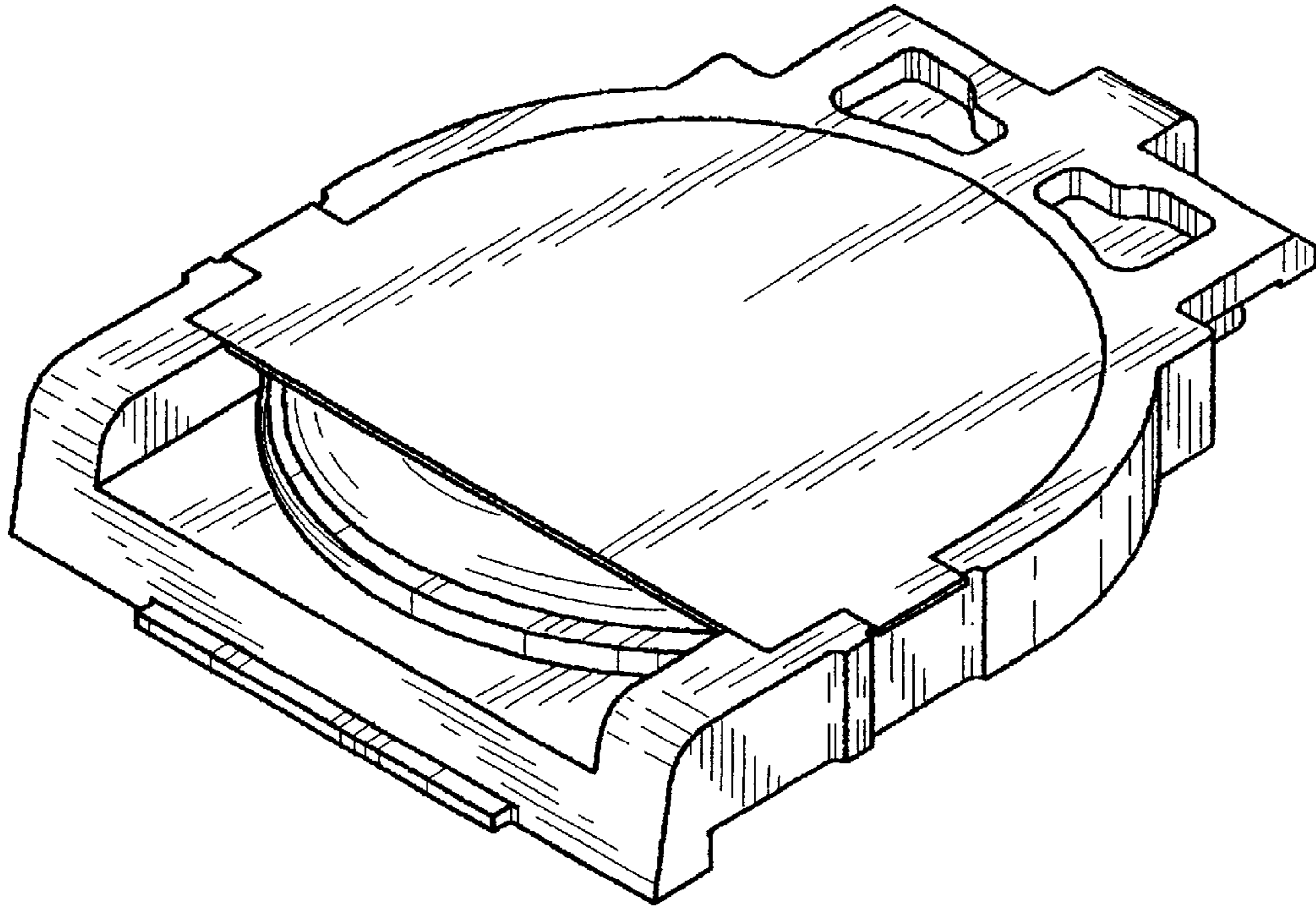


FIG. 2

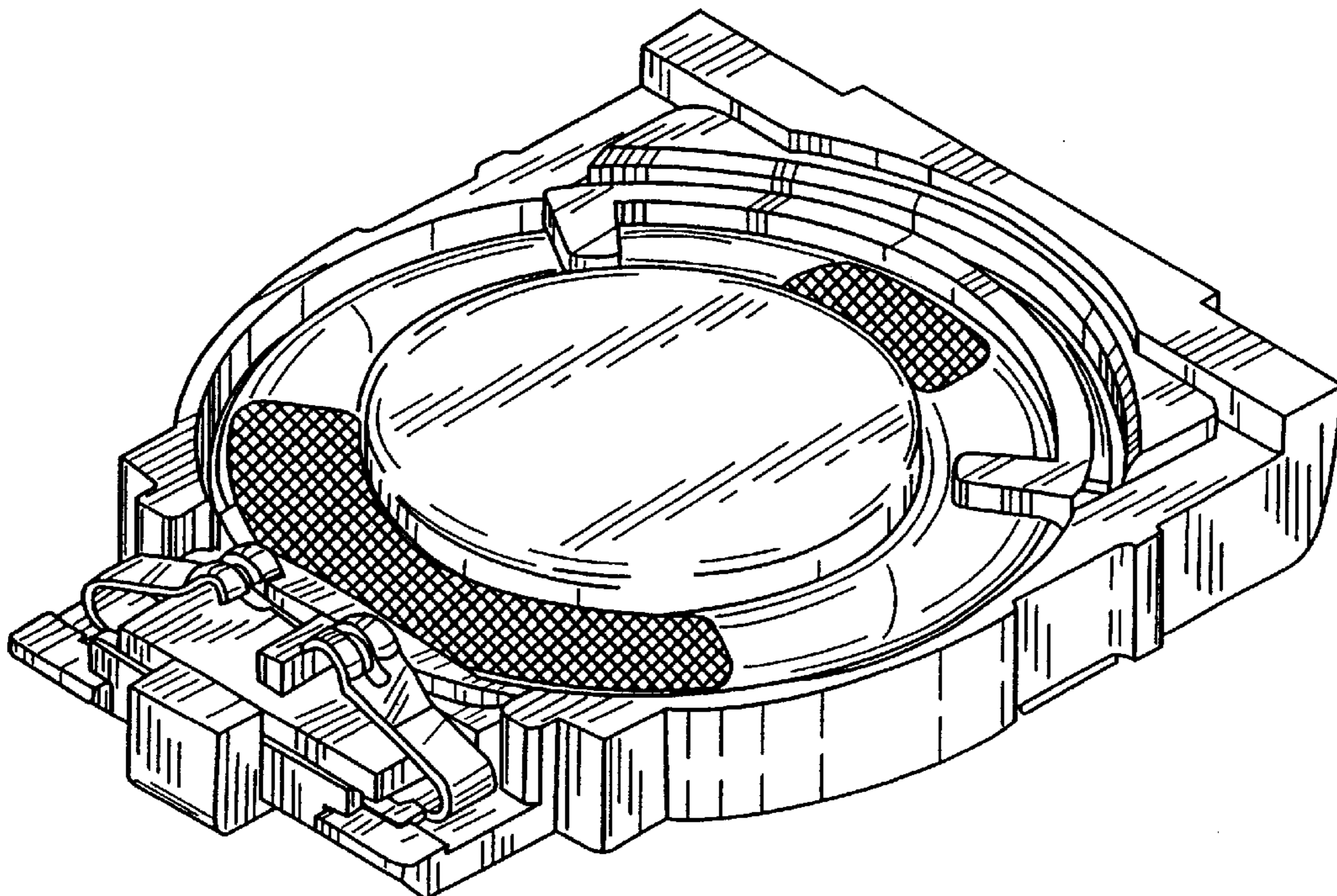


FIG.3

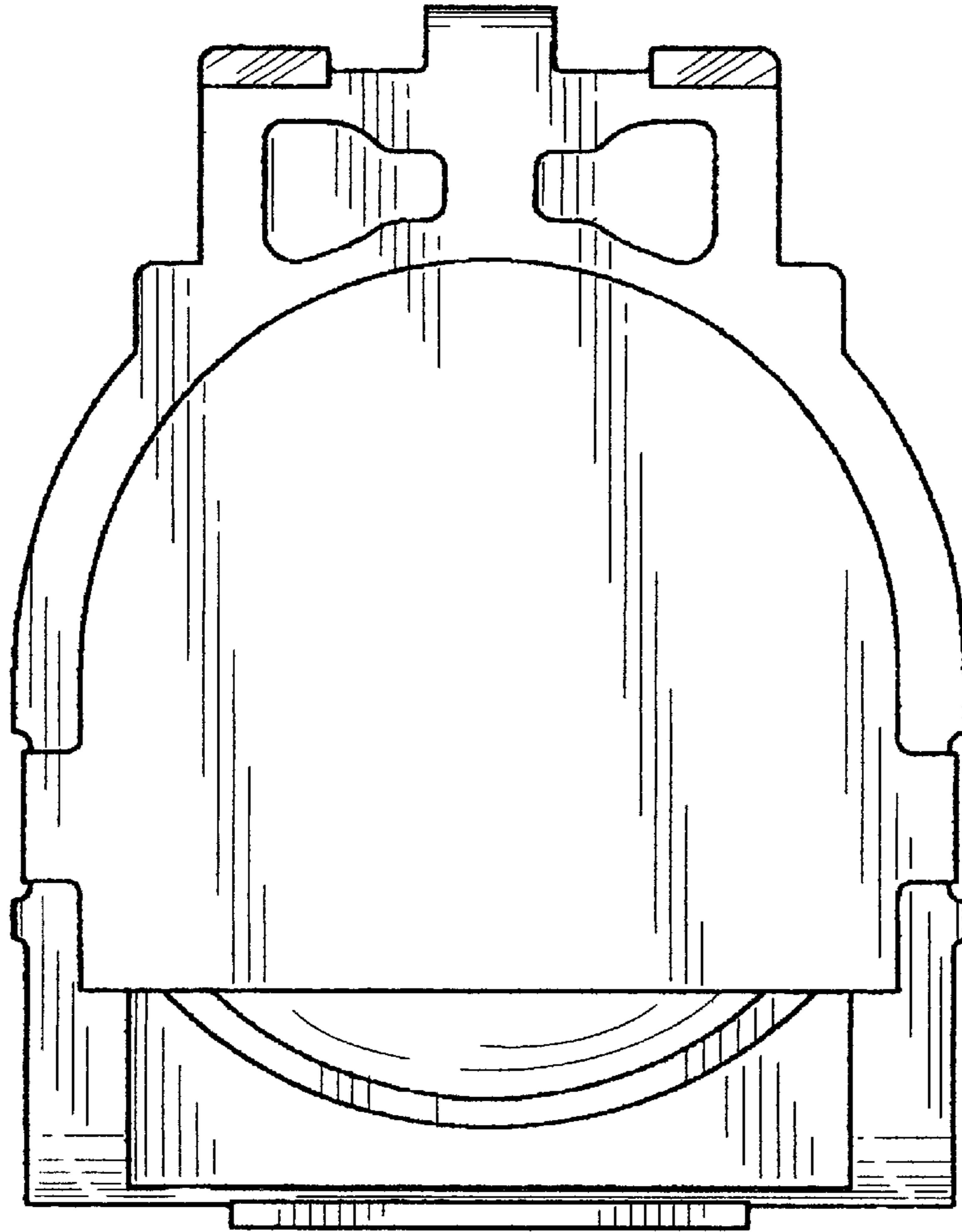


FIG.4

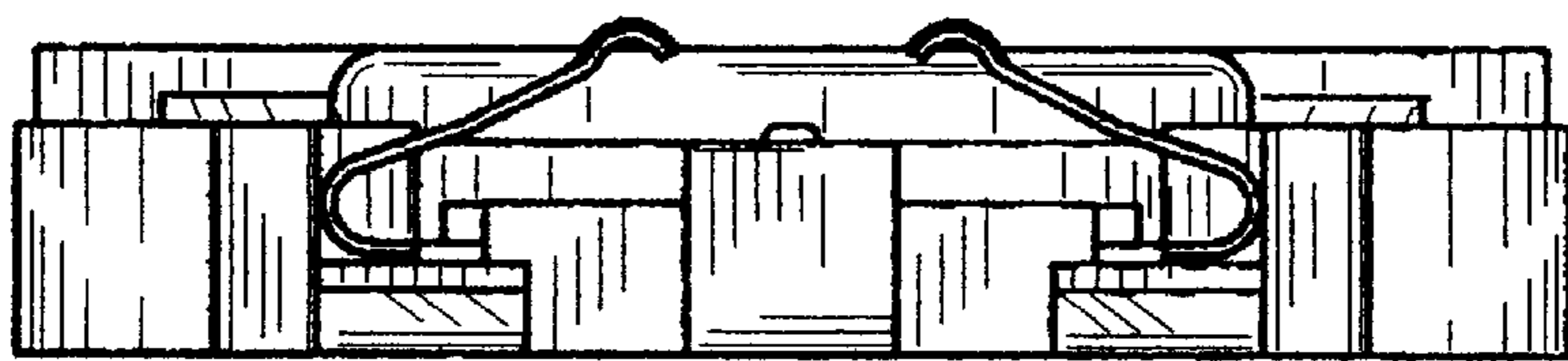


FIG.5

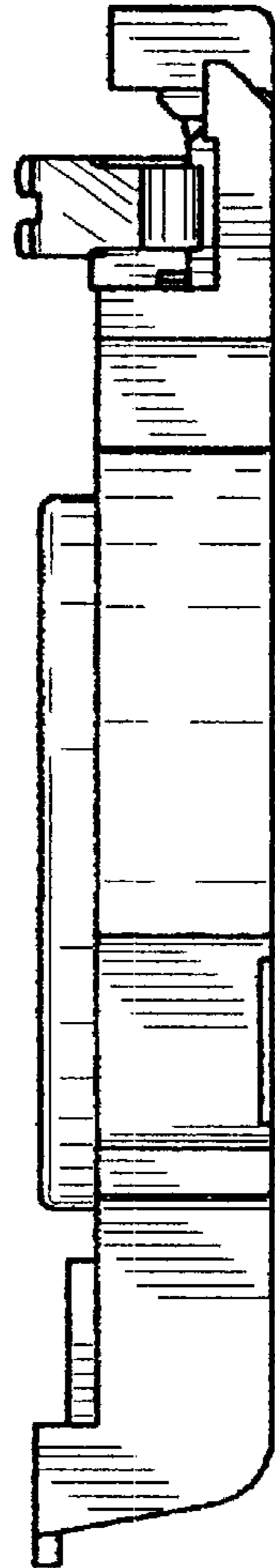


FIG.6

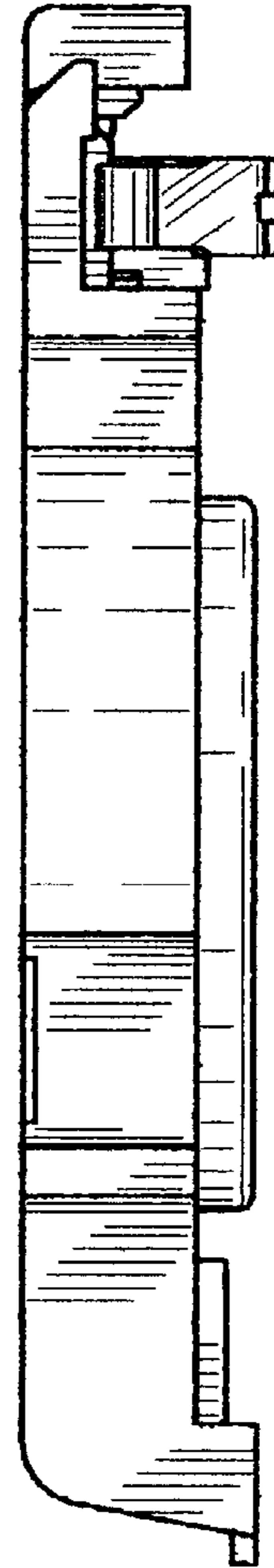


FIG.7

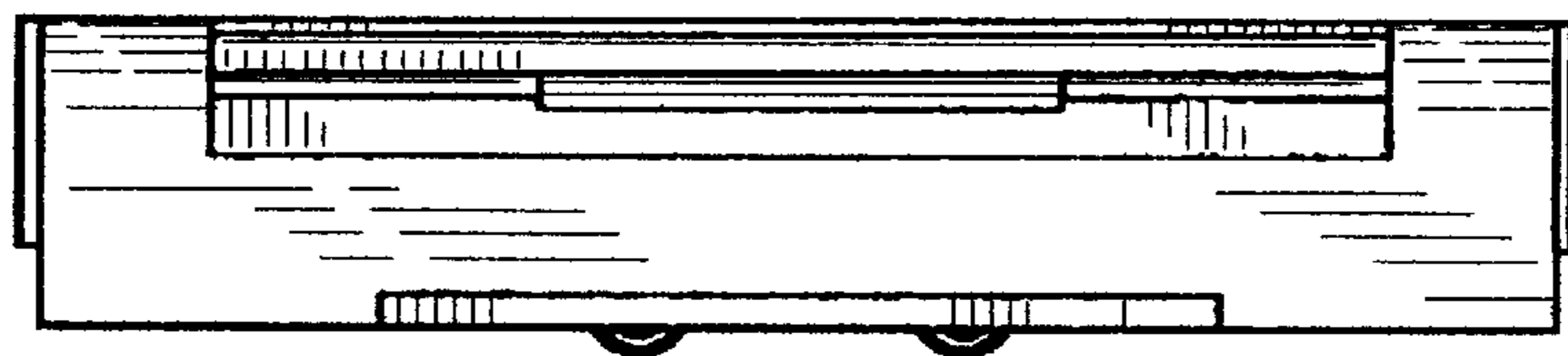


FIG. 8

