



US00D534896S

(12) **United States Design Patent** (10) **Patent No.:** **US D534,896 S**  
**Lin** (45) **Date of Patent:** **\*\* Jan. 9, 2007**

(54) **BASE STATION FOR A MULTIMEDIA  
DEVICE REMOTE CONTROL SYSTEM**

D484,867 S \* 1/2004 Little, Jr. .... D14/192

(75) Inventor: **John Lin**, Pacific Palisades, CA (US)

(73) Assignee: **Ten Ventures Inc.**, Pacific Palisades,  
CA (US)

(\*\*) Term: **14 Years**

(21) Appl. No.: **29/207,551**

(22) Filed: **Jun. 14, 2004**

(51) **LOC (8) Cl.** ..... **14-03**

(52) **U.S. Cl.** ..... **D14/188**

(58) **Field of Classification Search** ..... D14/188-190,  
D14/192-198, 160-171, 217; 455/344-351;  
369/6-12

See application file for complete search history.

(56) **References Cited**

U.S. PATENT DOCUMENTS

D238,610 S	*	1/1976	Ohta et al. ....	D14/194
D287,853 S	*	1/1987	Siegel .....	D14/194
D344,729 S	*	3/1994	Mueller .....	D14/194
D346,151 S		4/1994	Zaugg	
D347,439 S		5/1994	Vananderoye	
D351,596 S	*	10/1994	Pierotti et al. ....	D14/192
D353,810 S	*	12/1994	Pullman et al. ....	D14/142
D357,106 S		4/1995	Francis et al.	
5,471,659 A	*	11/1995	Wong .....	455/132
5,644,785 A	*	7/1997	Garrett .....	455/344
D383,801 S		9/1997	Oikawa	
D443,602 S	*	6/2001	Scorrano .....	D14/194
D466,106 S		11/2002	Cronk	

OTHER PUBLICATIONS

Caplin, Steve, "iTrip UK," Griffin Technologies (United Kingdom), Issue No. 19/15, (Jul. 2003).  
WWW.GRIFFINTECHNOLOGY.COM, "iTrip Technical Specifications," Web page with five figures, Griffin Technology (Internet), (2004).

\* cited by examiner

Primary Examiner—Prabhakar Deshmukh

(74) Attorney, Agent, or Firm—Jeffer Mangles Butler & Marmaro LLP

(57) **CLAIM**

The ornamental design for a base station for a multimedia device remote control system, as shown and described.

**DESCRIPTION**

FIG. 1 is a front, top and right side perspective view of a base station for a multimedia device remote control system showing my new design;

FIG. 2 is a front elevational view thereof;

FIG. 3 is a top plan view thereof;

FIG. 4 is a rear elevational view thereof;

FIG. 5 is a bottom plan view thereof;

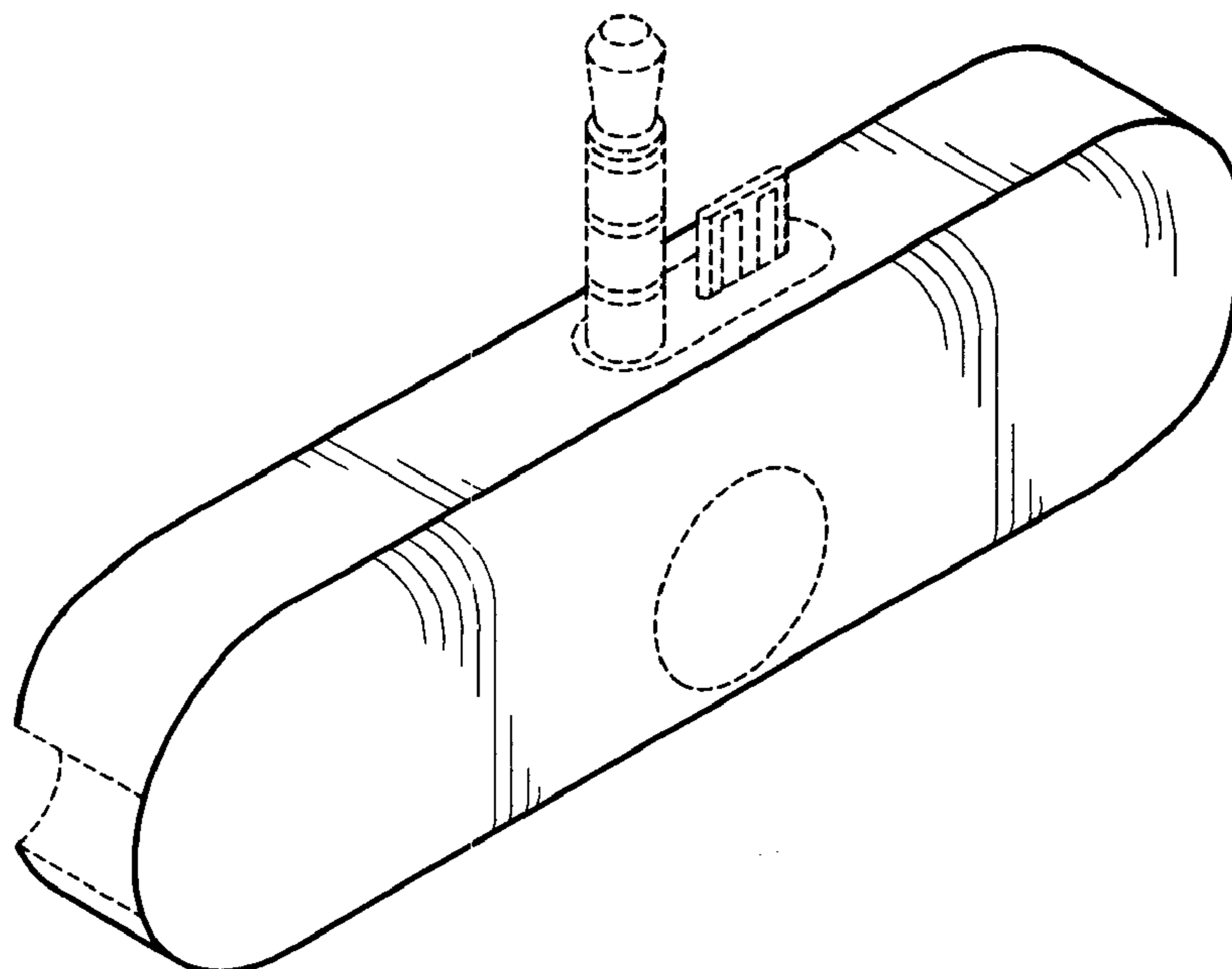
FIG. 6 is a left side elevational view thereof; and,

FIG. 7 is a right side elevational view thereof.

The broken lines, which define the boundary of the claimed design, form no part thereof.

The broken lines shown in the figures form no part of the claimed design.

**1 Claim, 1 Drawing Sheet**



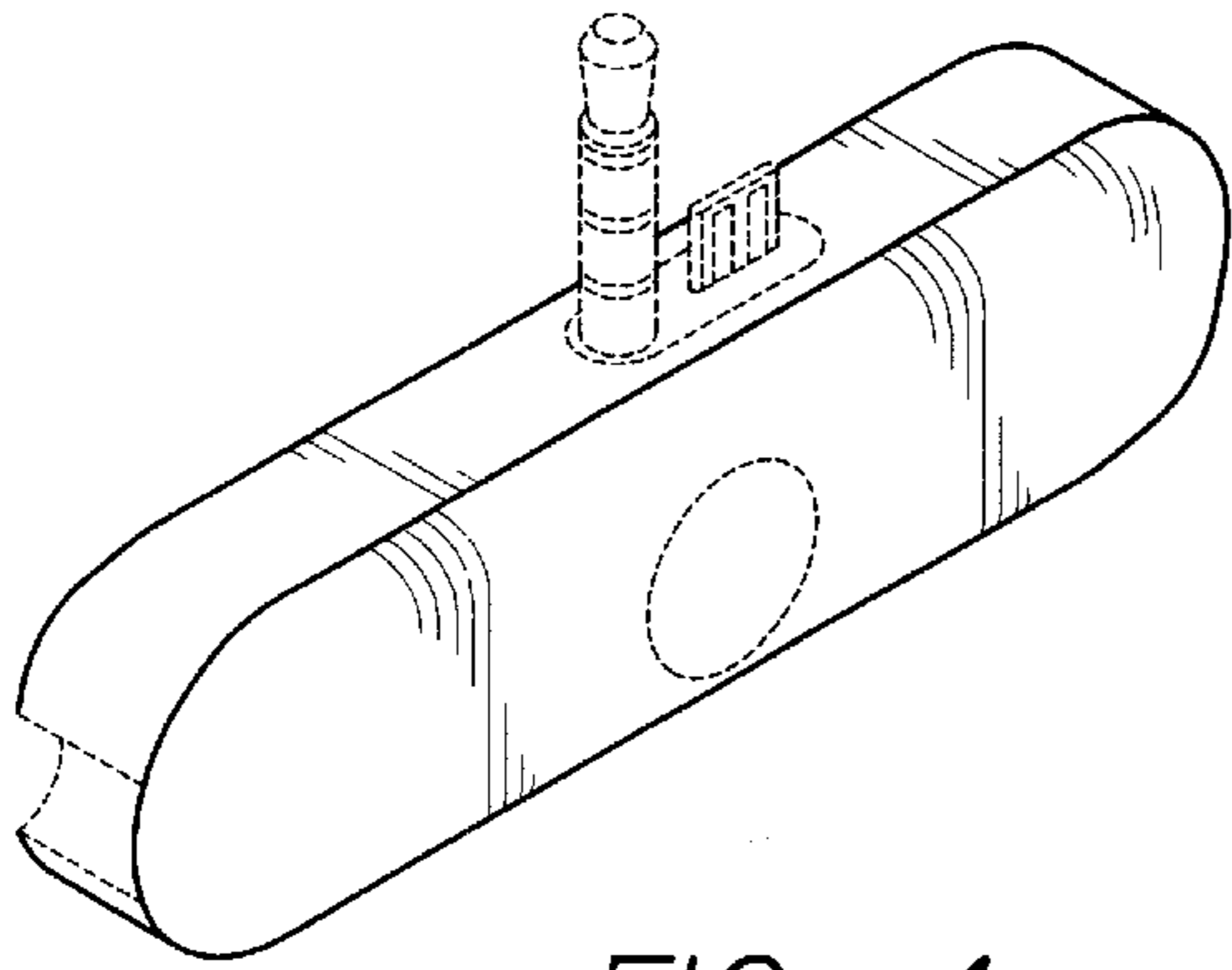


FIG. 1

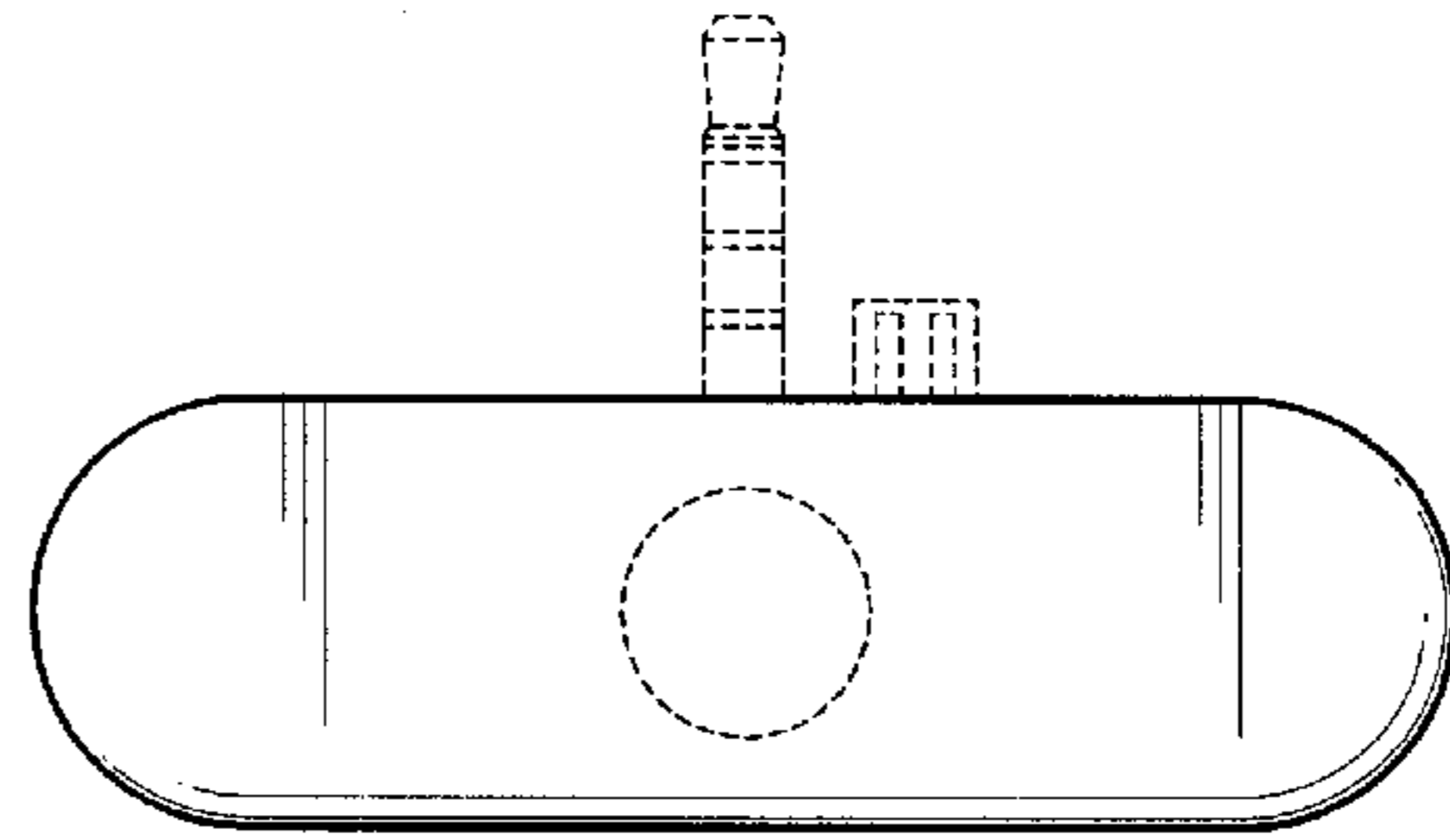


FIG. 2

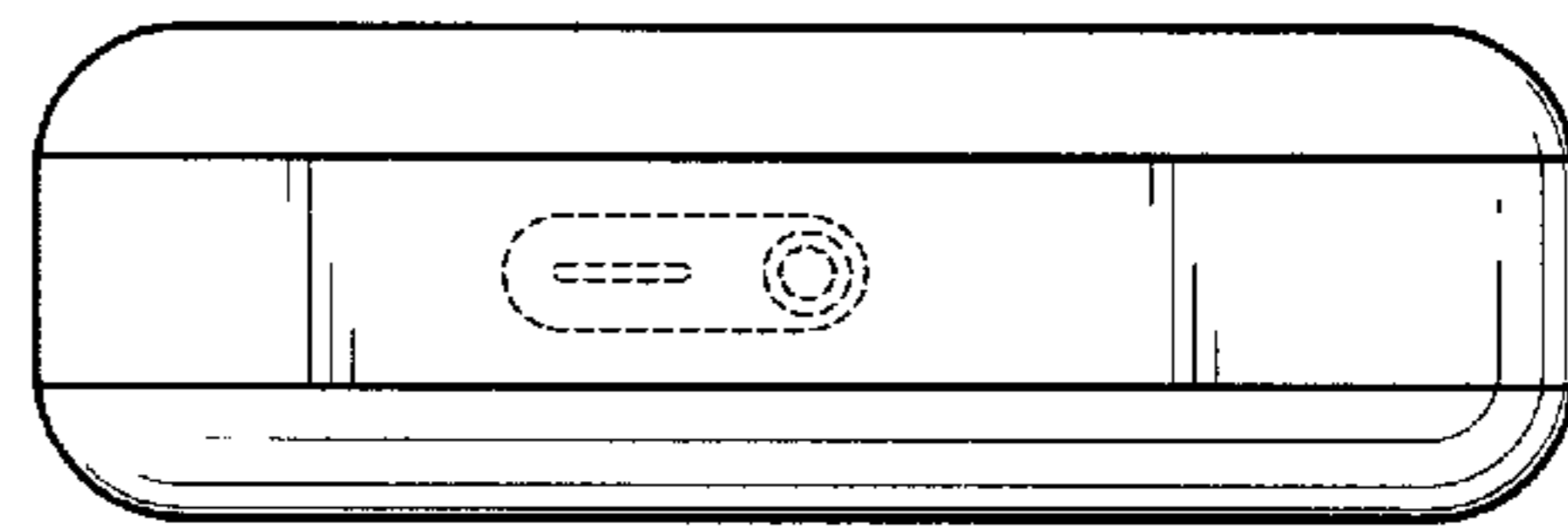


FIG. 3

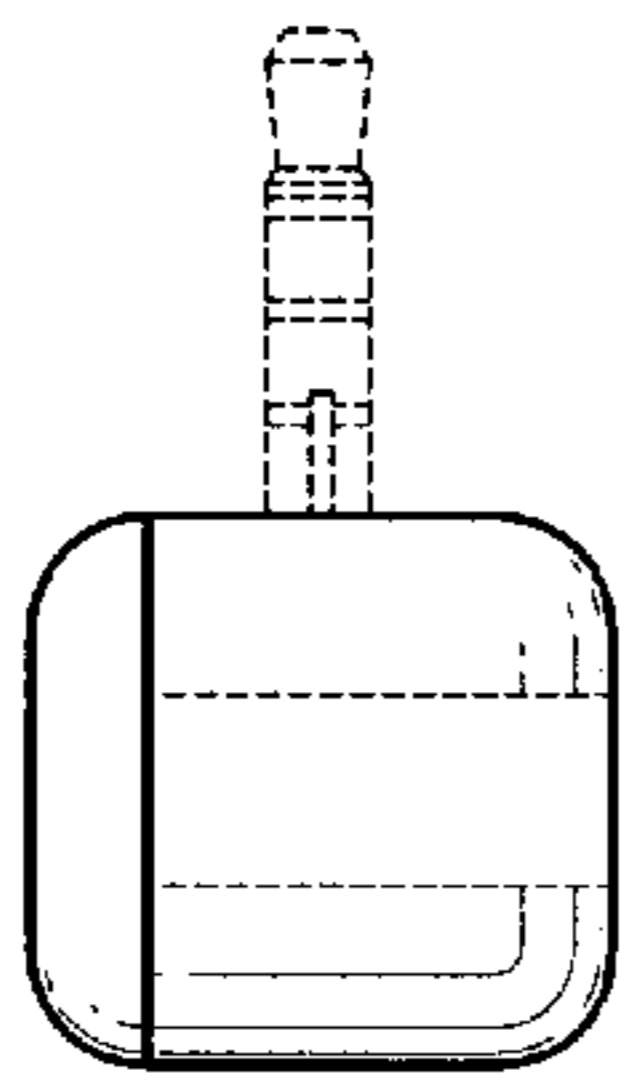


FIG. 6

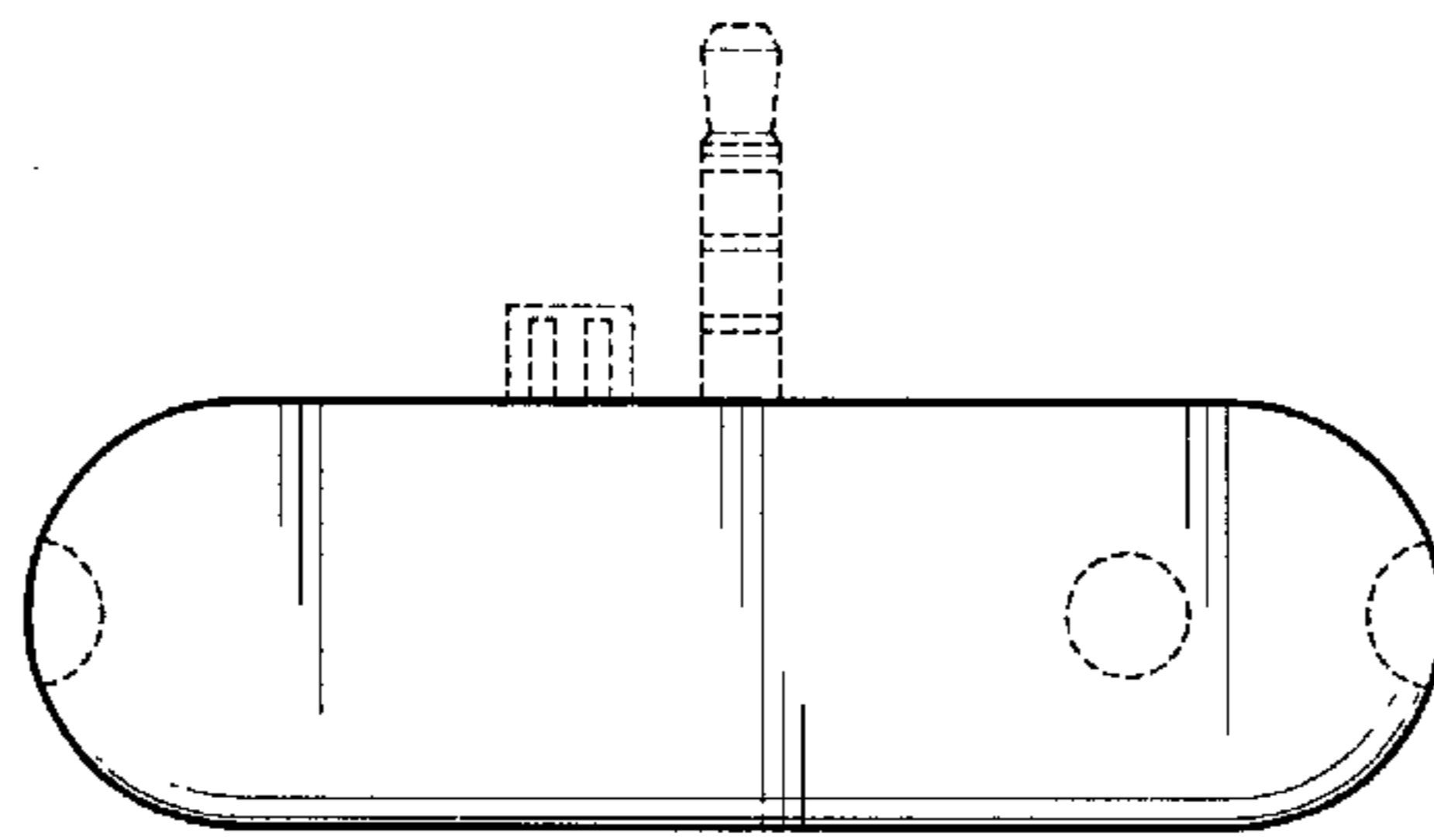


FIG. 4

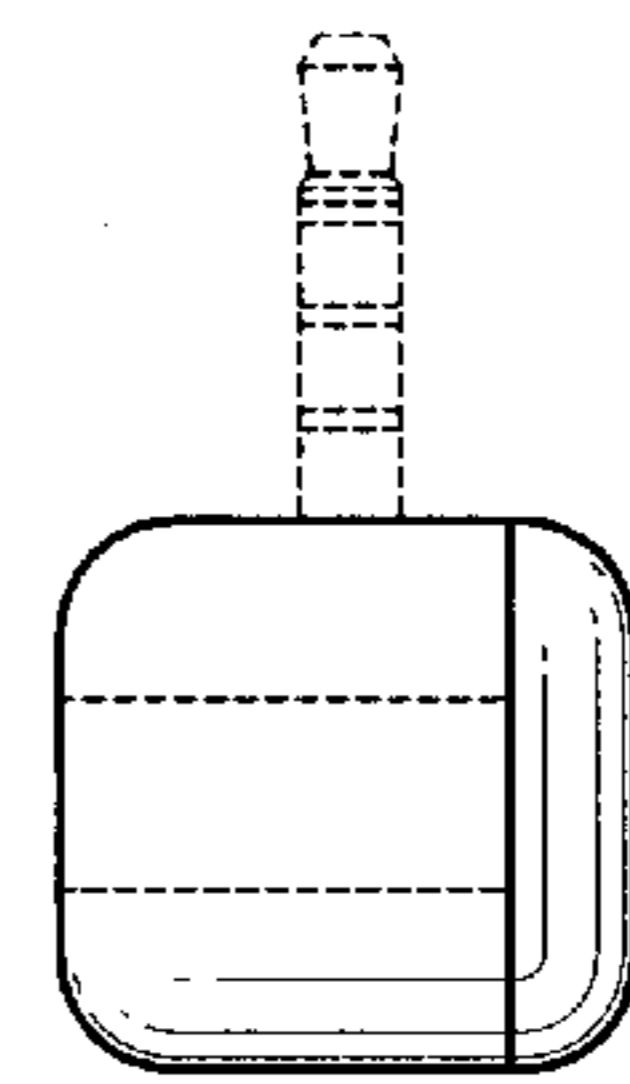


FIG. 7

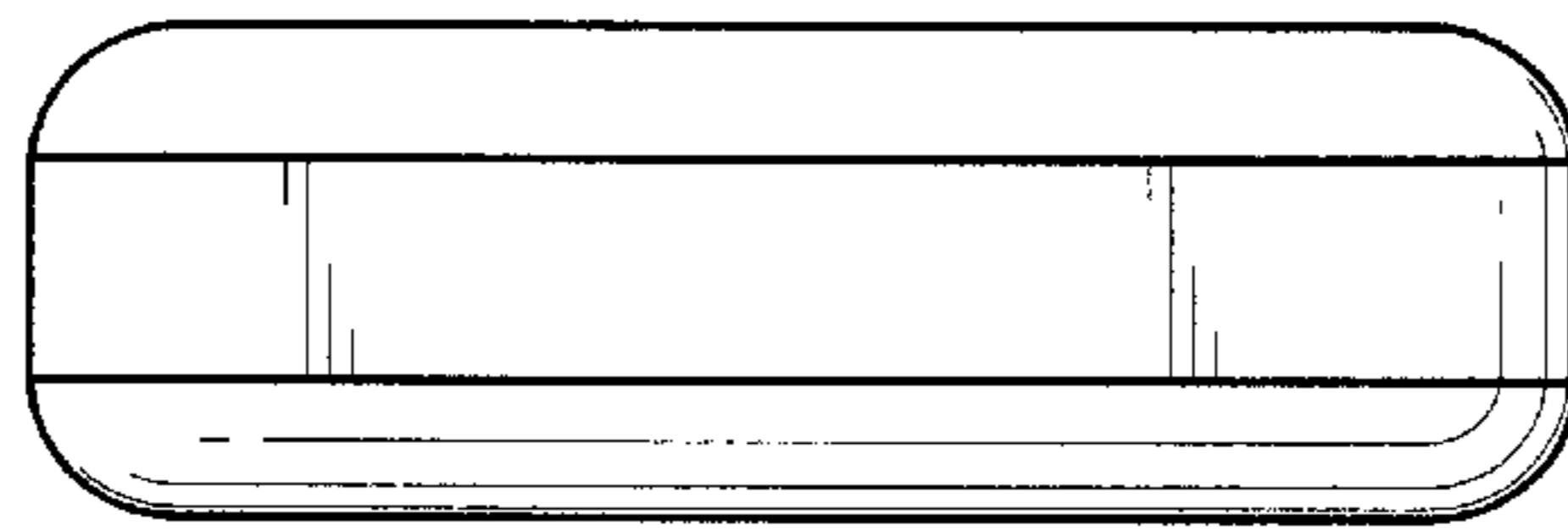


FIG. 5