



US00D534892S

(12) **United States Design Patent**
Lee et al.

(10) **Patent No.:** **US D534,892 S**
(45) **Date of Patent:** **** Jan. 9, 2007**

(54) **MOBILE PHONE**

(75) Inventors: **Kee-Moon Lee**, Gyeongsangbuk-do (KR); **Hyun-Seop Kim**, Gunpo-si (KR); **Chang-Hwan Hwang**, Goyang-si (KR)

(73) Assignee: **Samsung Electronics Co., Ltd.** (KR)

(**) Term: **14 Years**

(21) Appl. No.: **29/257,746**

(22) Filed: **Apr. 10, 2006**

(30) **Foreign Application Priority Data**

Jan. 23, 2006 (KR) 30-2006-0002775

(51) **LOC (8) Cl.** **14-03**

(52) **U.S. Cl.** **D14/138**

(58) **Field of Classification Search** D14/137, D14/138, 147-148, 247-248, 144, 496, 156, D14/341-347, 191, 192; 379/433.01-433.13; 455/575.4, 566, 575.1, 556.1, 556.2, 90.3, 455/41.2; D21/329, 331, 333; D16/208

See application file for complete search history.

(56) **References Cited**

U.S. PATENT DOCUMENTS

D466,096 S	*	11/2002	Takada	D14/138
D495,695 S	*	9/2004	Yugaya	D14/346
D503,164 S	*	3/2005	Park et al.	D14/138
D503,699 S	*	4/2005	Lee et al.	D14/138
D508,240 S	*	8/2005	Lee et al.	D14/138
D508,473 S	*	8/2005	Lee et al.	D14/138
D508,688 S	*	8/2005	Lee et al.	D14/138
D509,202 S	*	9/2005	Lee et al.	D14/138
D509,215 S	*	9/2005	Han et al.	D14/343
D515,060 S	*	2/2006	Lee et al.	D14/138
D517,038 S	*	3/2006	Lee et al.	D14/138
D517,042 S	*	3/2006	Byun et al.	D14/191
D519,998 S	*	5/2006	Park	D14/346

(Continued)

FOREIGN PATENT DOCUMENTS

WO DM/067109 *9/2005

OTHER PUBLICATIONS

Samsung D800 telephone, announced 4th Quarter 2005, [online], [retrieved on Aug. 1, 2006]. Retrieved from Internet ,URL: <http://www.gsmarena.com>.*

Samsung D820 telephone, announced 4th Quarter 2005, [online], [retrieved on Aug. 1, 2006]. Retrieved from Internet ,URL: <http://www.gsmarena.com>.*

Samsung D840 telephone, announced Jun. 2006, [online], [retrieved on Aug. 1, 2006]. Retrieved from Internet ,URL: <http://www.gsmarena.com>.*

Samsung D870 telephone, announced Mar. 2006, [online], [retrieved on Aug. 14, 2006]. Retrieved from Internet ,URL: <http://www.gsmarena.com>.*

Siemens CF110 telephone, announced Aug. 2005, [online], [retrieved on Apr. 1, 2006]. Retrieved from Internet ,URL: <http://www.gsmarena.com>.*

XCute DV80 telephone, announced Feb. 2006, [online], [retrieved on Mar. 6, 2006]. Retrieved from Internet ,URL: <http://www.gsmarena.com>.*

BenQ U700 telephone, announced 1st Quarter 2005, [online], [retrieved on Aug. 1, 2006], Retrieved from Internet , URL: <http://www.gsmarena.com>.*

Primary Examiner—Jeffrey Asch

(74) *Attorney, Agent, or Firm*—Cantor Colburn LLP

(57) **CLAIM**

We claim, the ornamental design for a mobile phone, as shown and described.

DESCRIPTION

FIG. 1 is a top and front perspective view of a mobile phone, showing our new design;

FIG. 2 is a front elevational view thereof;

FIG. 3 is a rear elevational view thereof;

FIG. 4 is a left side elevational view thereof;

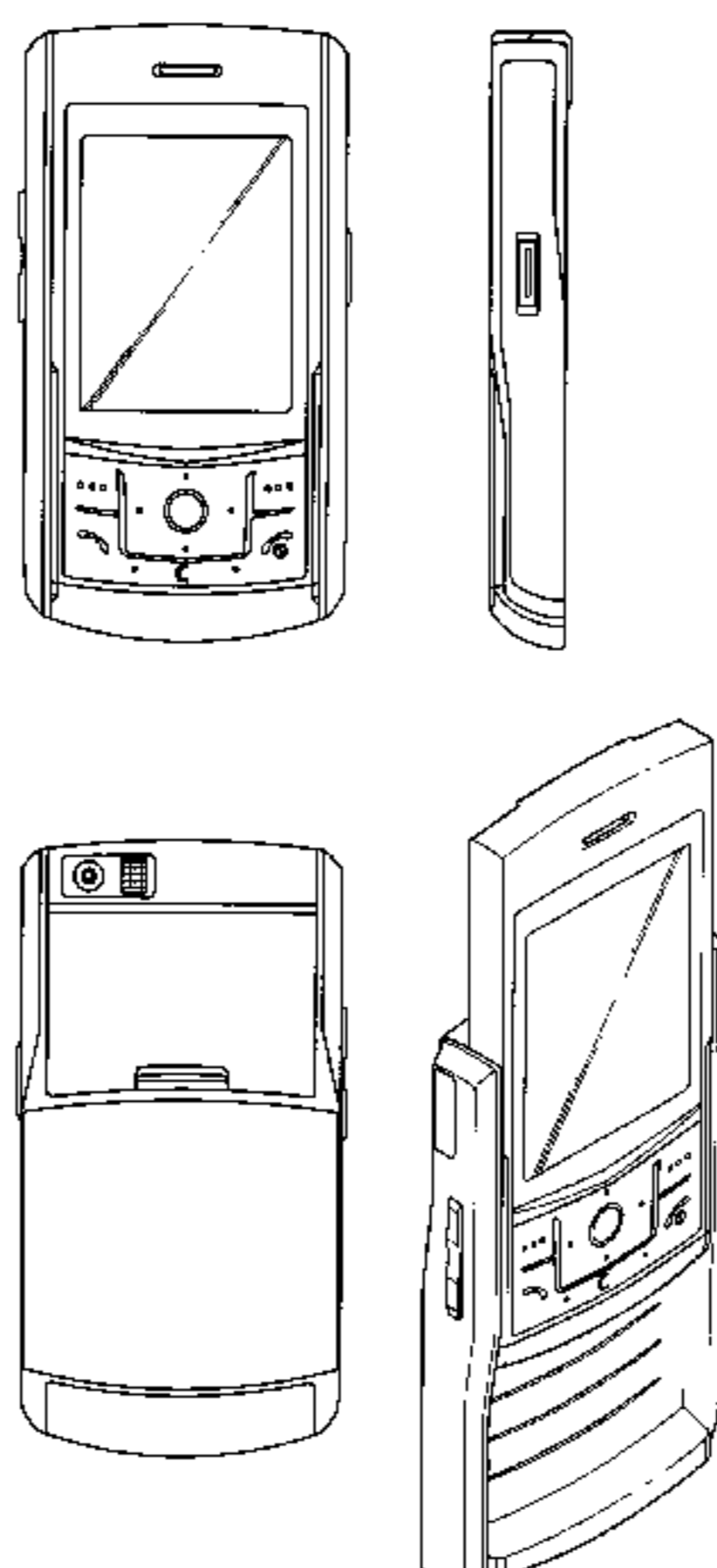
FIG. 5 is a right side elevational view thereof;

FIG. 6 is a top plan view thereof;

FIG. 7 is a bottom plan view thereof; and,

FIG. 8 is a front and left side perspective view thereof, the mobile phone being in an alternate position.

1 Claim, 3 Drawing Sheets



US D534,892 S

Page 2

U.S. PATENT DOCUMENTS

D525,608 S *	7/2006	Ryu	D14/138	2005/0124381 A1 *	6/2005	Kim et al.	455/556.1
D525,610 S *	7/2006	Kim et al.	D14/138	2005/0190291 A1 *	9/2005	Kota et al.	348/376
D525,959 S *	8/2006	Kim et al.	D14/138	2005/0233708 A1 *	10/2005	Im et al.	455/90.3
D526,297 S *	8/2006	Lee et al.	D14/138	2005/0250532 A1 *	11/2005	Hwang et al.	455/550.1
D526,301 S *	8/2006	Shin	D14/138	2005/0255897 A1 *	11/2005	Lee et al.	455/575.4
D526,302 S *	8/2006	Kim	D14/138	2005/0266897 A1 *	12/2005	Ahn et al.	455/575.1
D526,303 S *	8/2006	Kim et al.	D14/138	2006/0093133 A1 *	5/2006	Park et al.	379/433.12
2004/0259592 A1 *	12/2004	Taneya et al.	455/556.1	2006/0111161 A1 *	5/2006	Cha et al.	455/575.4
2005/0090298 A1 *	4/2005	Park et al.	455/575.4	2006/0142073 A1 *	6/2006	Gordecki	455/575.4

* cited by examiner

FIG. 1

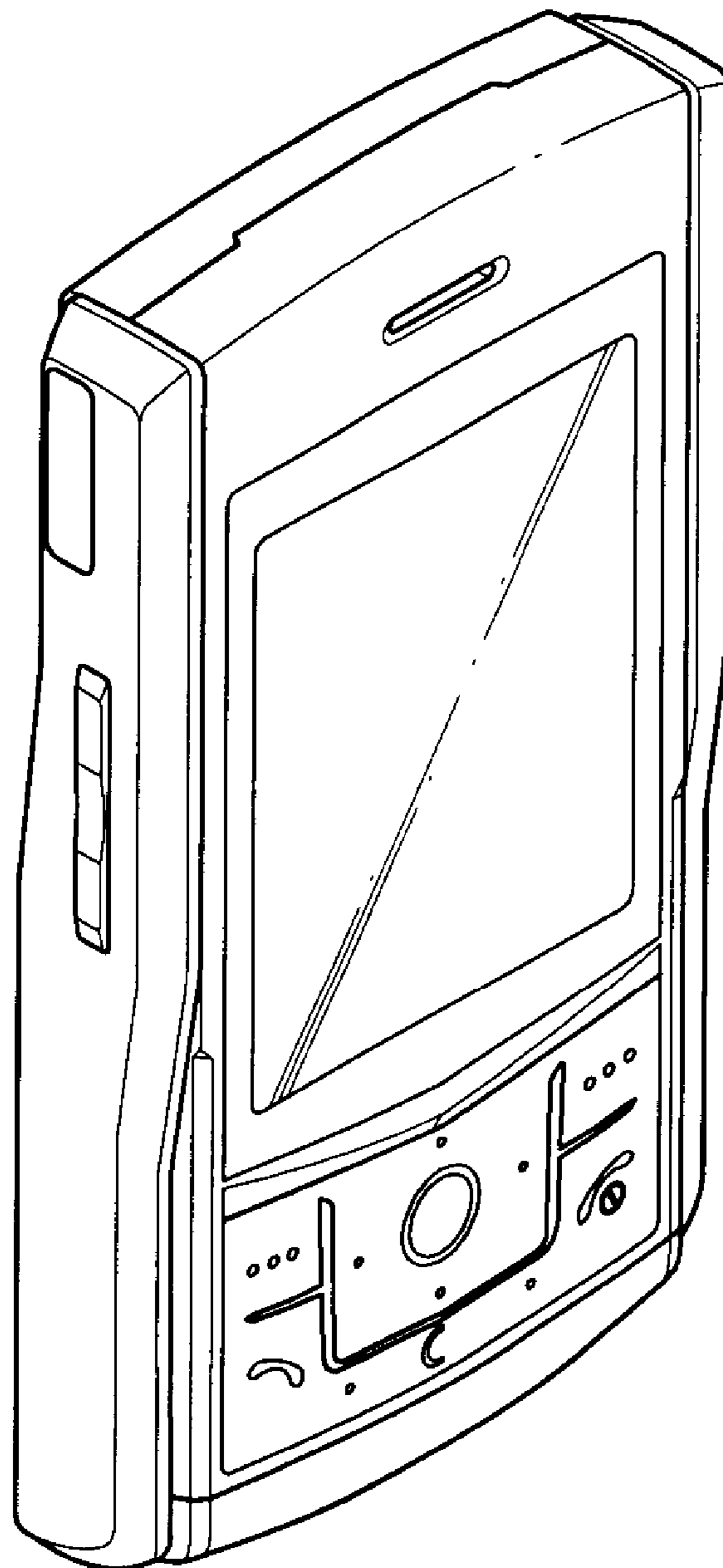


FIG. 2

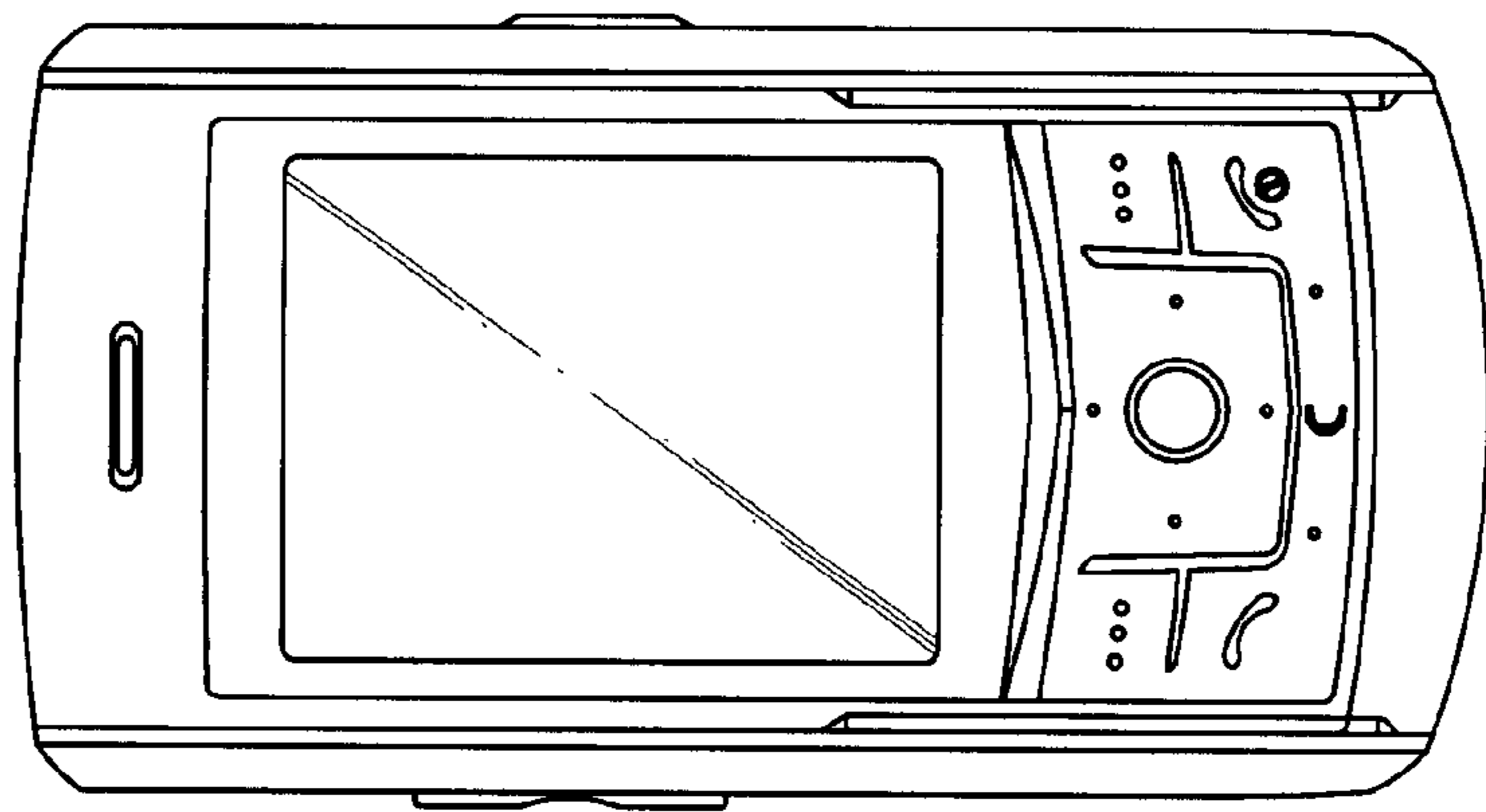


FIG. 3

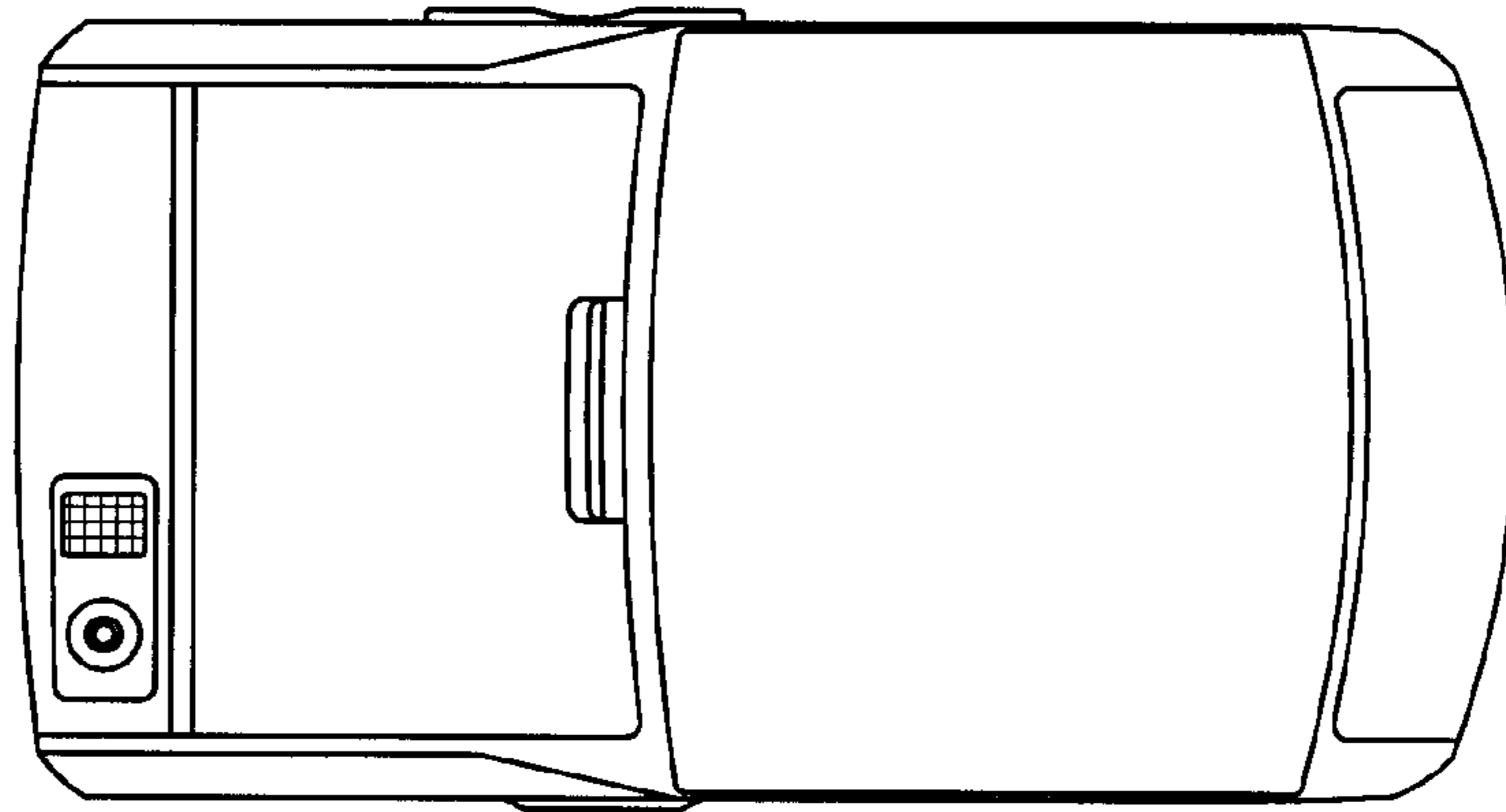


FIG. 4

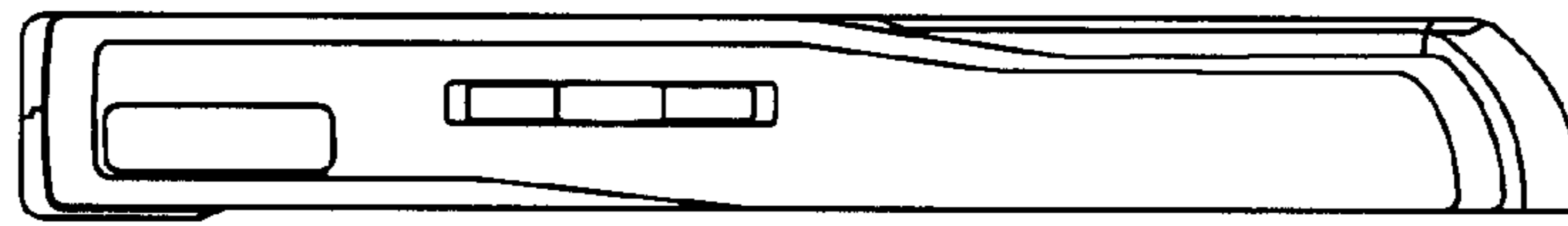


FIG. 5

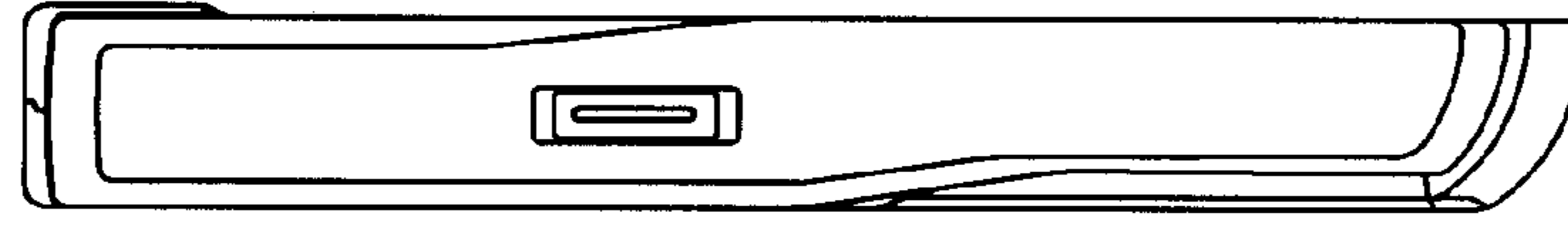


FIG. 6

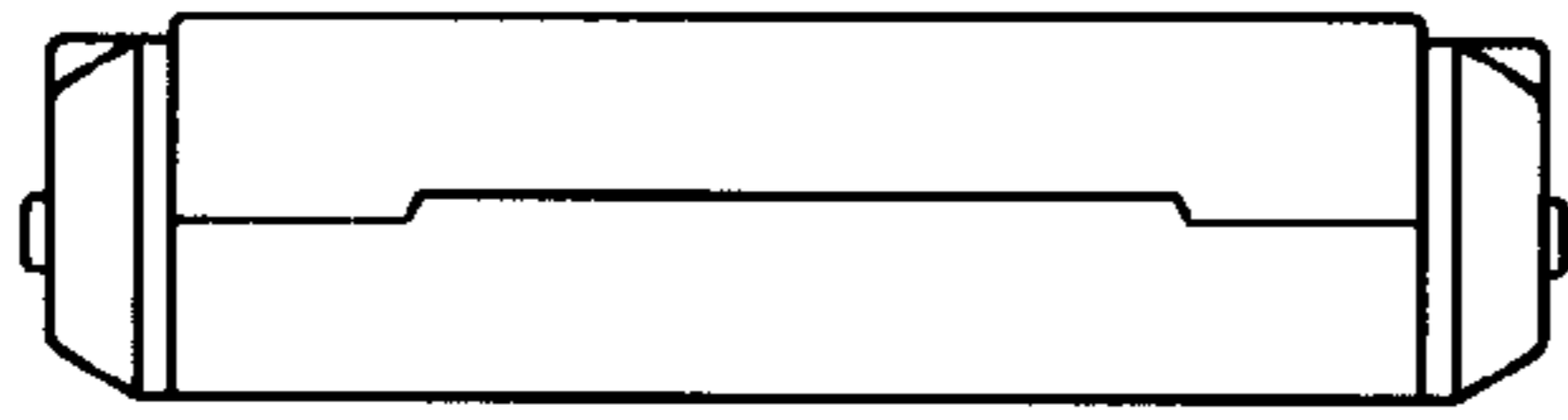


FIG. 7



FIG. 8

