



US00D534888S

(12) **United States Design Patent**
Kim et al.

(10) **Patent No.:** **US D534,888 S**

(45) **Date of Patent:** **** Jan. 9, 2007**

(54) **PORTABLE PHONE**

(75) Inventors: **Young-Soo Kim**, Goyang-si (KR);
Beom Ku Han, Seoul (KR);
Chang-Hwan Hwang, Goyang-si (KR)

(73) Assignee: **Samsung Electronics Co., Ltd.**,
Suwon-Si (KR)

(**) Term: **14 Years**

(21) Appl. No.: **29/236,924**

(22) Filed: **Aug. 25, 2005**

(30) **Foreign Application Priority Data**

Feb. 28, 2005 (KR) 30-2005-0006639

(51) **LOC (8) Cl.** **14-03**

(52) **U.S. Cl.** **D14/138**; D14/496

(58) **Field of Classification Search** D14/137,
D14/138, 147-148, 247-248, 144, 496, 156,
D14/341-347, 191, 192; 379/433.01-433.13;
455/575.4, 566, 575.1, 556.1, 556.2, 90.3,
455/41.2; D21/329, 331, 333; D16/208

See application file for complete search history.

(56) **References Cited**

U.S. PATENT DOCUMENTS

D357,919 S	*	5/1995	Tsui	D14/218
D472,895 S	*	4/2003	Ribeiro et al.	D14/248
D478,889 S	*	8/2003	Kulkarni	D14/160
D480,697 S	*	10/2003	Lee et al.	D14/138
D486,813 S	*	2/2004	Chun	D14/156
D489,052 S	*	4/2004	Shiraki et al.	D14/156
D490,068 S	*	5/2004	Chen	D14/156
D494,188 S	*	8/2004	Huang	D14/496
D497,603 S	*	10/2004	Applova	D14/138
D500,302 S	*	12/2004	Deguchi	D14/167
D502,932 S	*	3/2005	Minamide	D14/138
D503,694 S	*	4/2005	Itano	D14/138
D503,709 S	*	4/2005	Lodato et al.	D14/341
D508,687 S	*	8/2005	Lee	D14/138
D510,081 S	*	9/2005	Yang	D14/156
D510,937 S	*	10/2005	Tsai	D14/496

D512,404 S	*	12/2005	Yang	D14/156
D513,512 S	*	1/2006	Tsai	D14/496
D513,613 S	*	1/2006	Lim	D14/356
D516,579 S	*	3/2006	Nakamura	D14/496
D521,023 S	*	5/2006	Kim et al.	D14/496
D524,783 S	*	7/2006	Lee	D14/138
D525,987 S	*	8/2006	Kim	D14/496
2002/0102946 A1	*	8/2002	SanGiovanni	455/90
2003/0064688 A1	*	4/2003	Mizuta et al.	455/90
2004/0242288 A1	*	12/2004	Balle et al.	455/575.1
2005/0119034 A1	*	6/2005	Kato et al.	455/575.4
2005/0124394 A1	*	6/2005	Kim et al.	455/575.3
2005/0202856 A1	*	9/2005	Park et al.	455/575.1
2006/0019726 A1	*	1/2006	Park et al.	455/575.1
2006/0025184 A1	*	2/2006	Cho et al.	455/575.4
2006/0093133 A1	*	5/2006	Park et al.	379/433.12
2006/0121852 A1	*	6/2006	Kim et al.	455/41.2
2006/0142073 A1	*	6/2006	Gordecki	455/575.4

OTHER PUBLICATIONS

Pantech PG-3600V telephone, announced Feb. 2006, [online], [retrieved on Aug. 1, 2006]. Retrieved from Internet ,URL: <<http://www.gsmarena.com>>.*

Sony Ericsson W900 telephone, announced Oct. 2005, [online], [retrieved on Aug. 1, 2006]. Retrieved from Internet ,URL: <<http://www.gsmarena.com>>.*

Sony Ericsson S600 telephone, announced Jun. 2005, [online], [retrieved on Mar. 3, 2006]. Retrieved from Internet ,URL: <<http://www.gsmarena.com>>.*

Virgin Player, review date Nov. 22, 2004, [online], [retrieved on Aug. 1, 2006]. Retrieved from Internet ,URL: <<http://www.pcmag.com>>.*

* cited by examiner

Primary Examiner—Jeffrey Asch

(74) *Attorney, Agent, or Firm*—Staas & Halsey LLP

(57) **CLAIM**

The ornamental design for the portable phone, as shown and described.

DESCRIPTION

FIG. 1 is a perspective view of the portable phone showing our design;

FIG. 2 is a front view thereof;

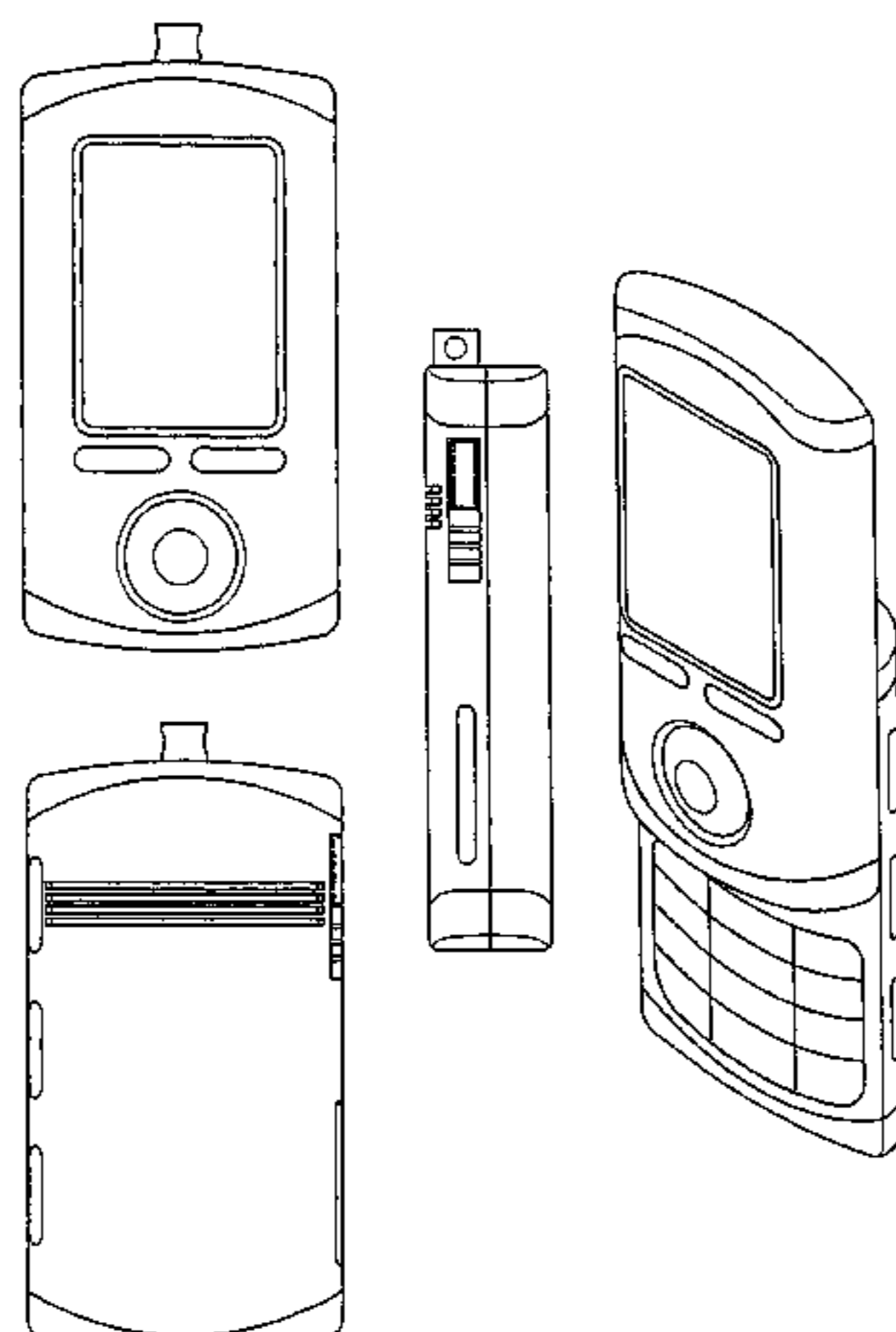
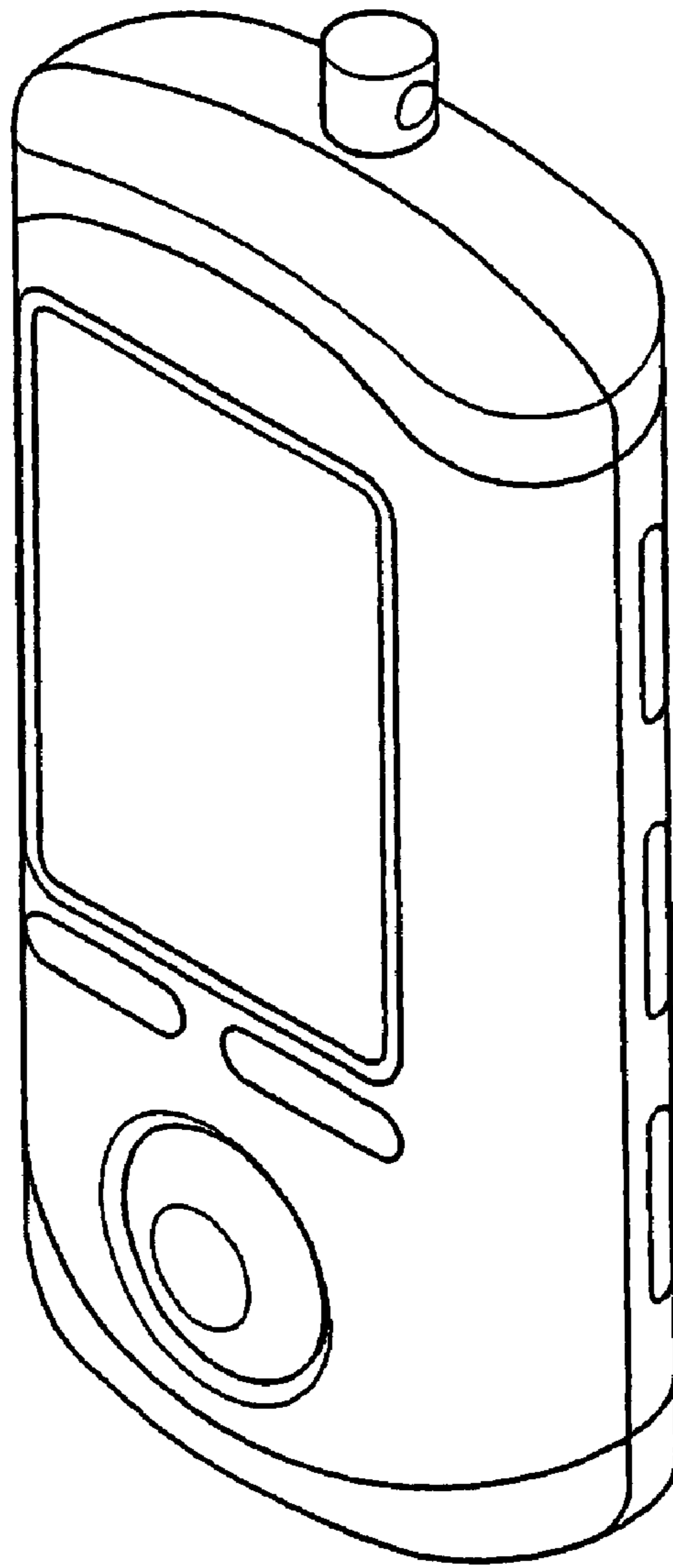


FIG. 3 is a rear view thereof;
FIG. 4 is a left side view thereof;
FIG. 5 is a right side thereof;
FIG. 6 is a top plan view thereof;
FIG. 7 is a bottom plan view thereof;
FIG. 8 is a front, partially open view thereof with accessory;
FIG. 9 is a perspective, open view thereof;
FIG. 10 is a front, open view thereof;

FIG. 11 is a rear, open view thereof;
FIG. 12 is a left side open view thereof; and,
FIG. 13 is a right side open view thereof.
The broken line showing of an accessory in FIG. 8 is included for illustrative purposes only and forms no part of the claimed design.

1 Claim, 8 Drawing Sheets

FIG. 1



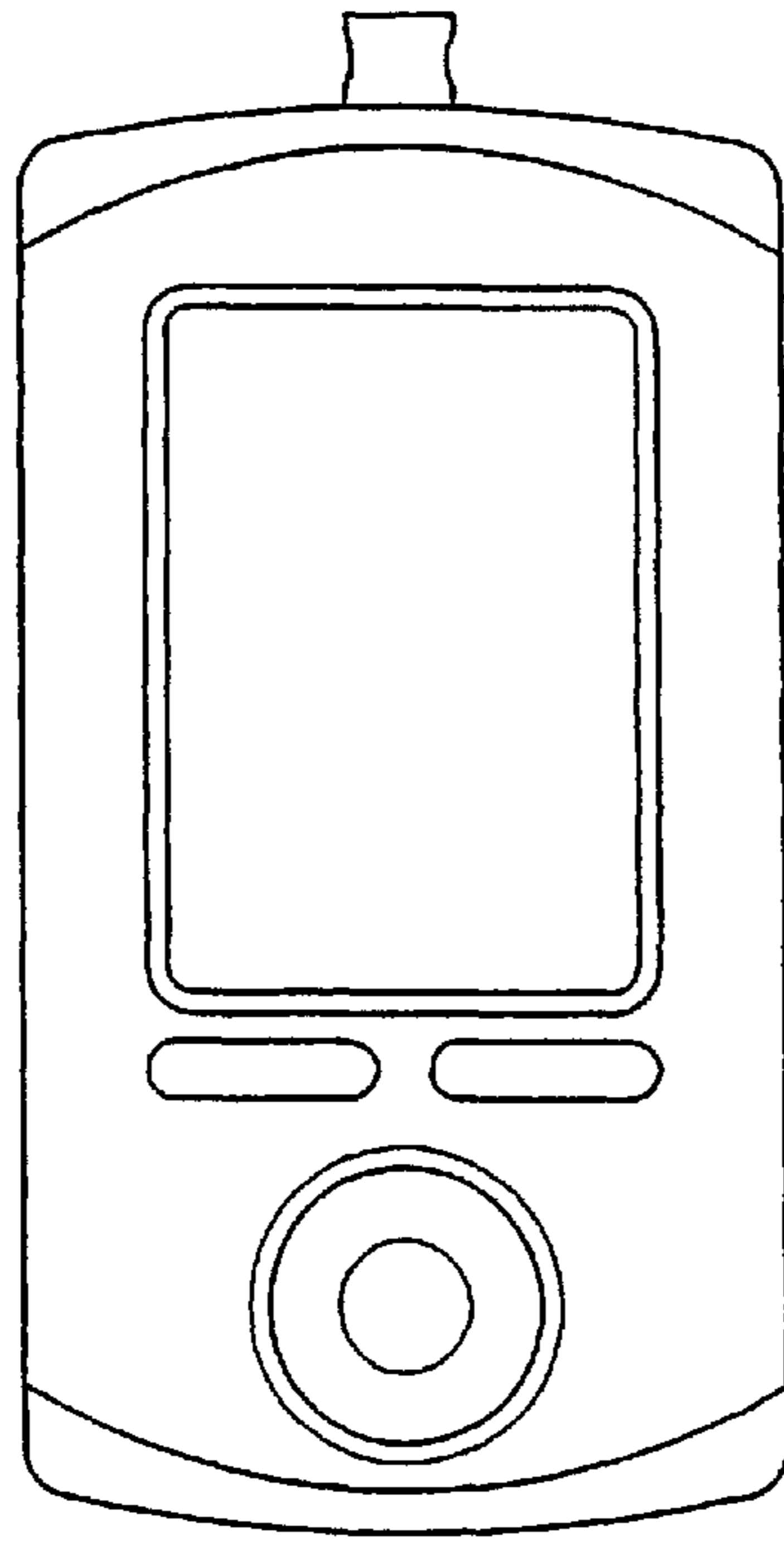


FIG. 2

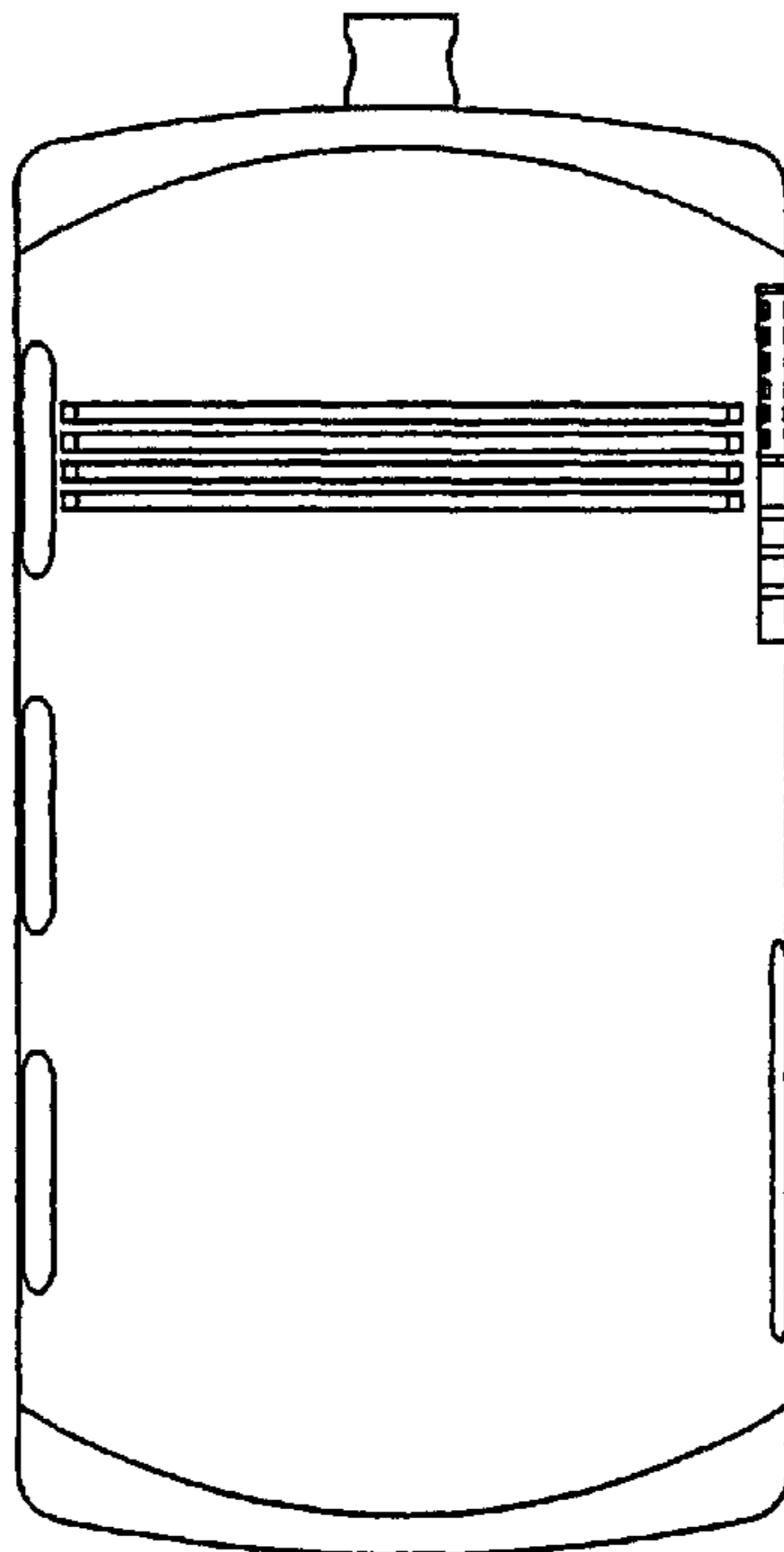


FIG. 3

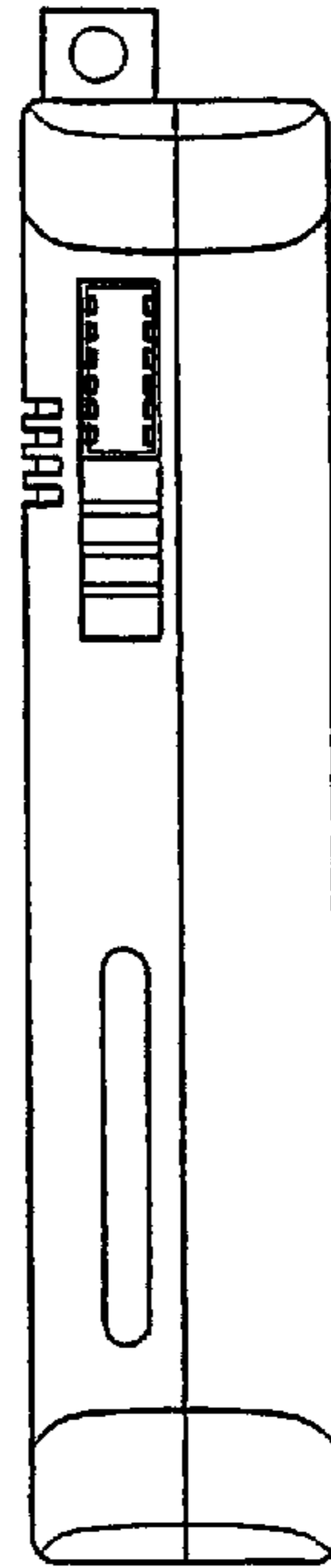


FIG. 4

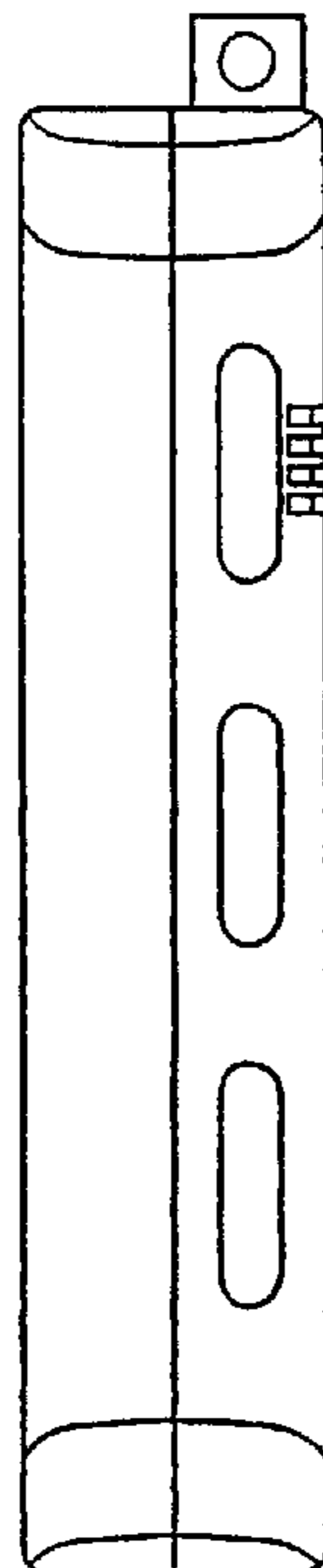


FIG. 5

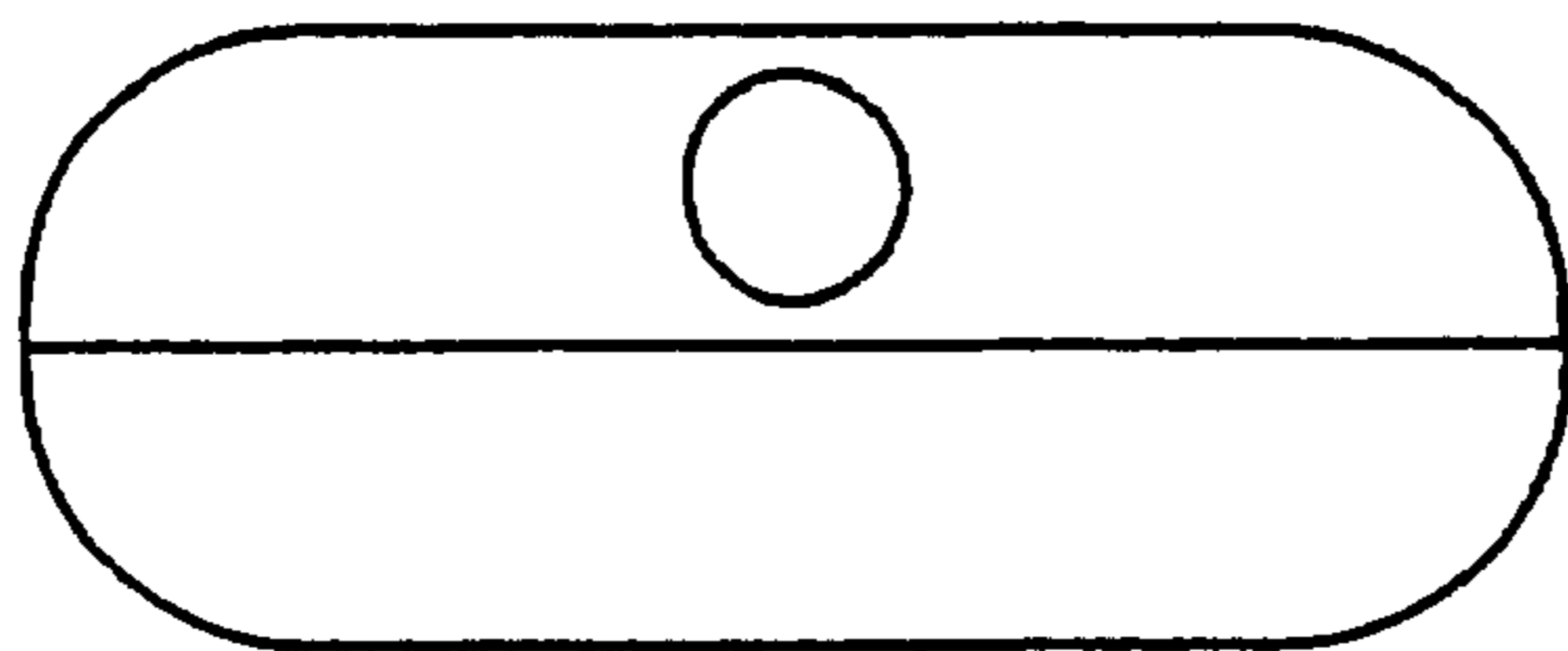


FIG. 6

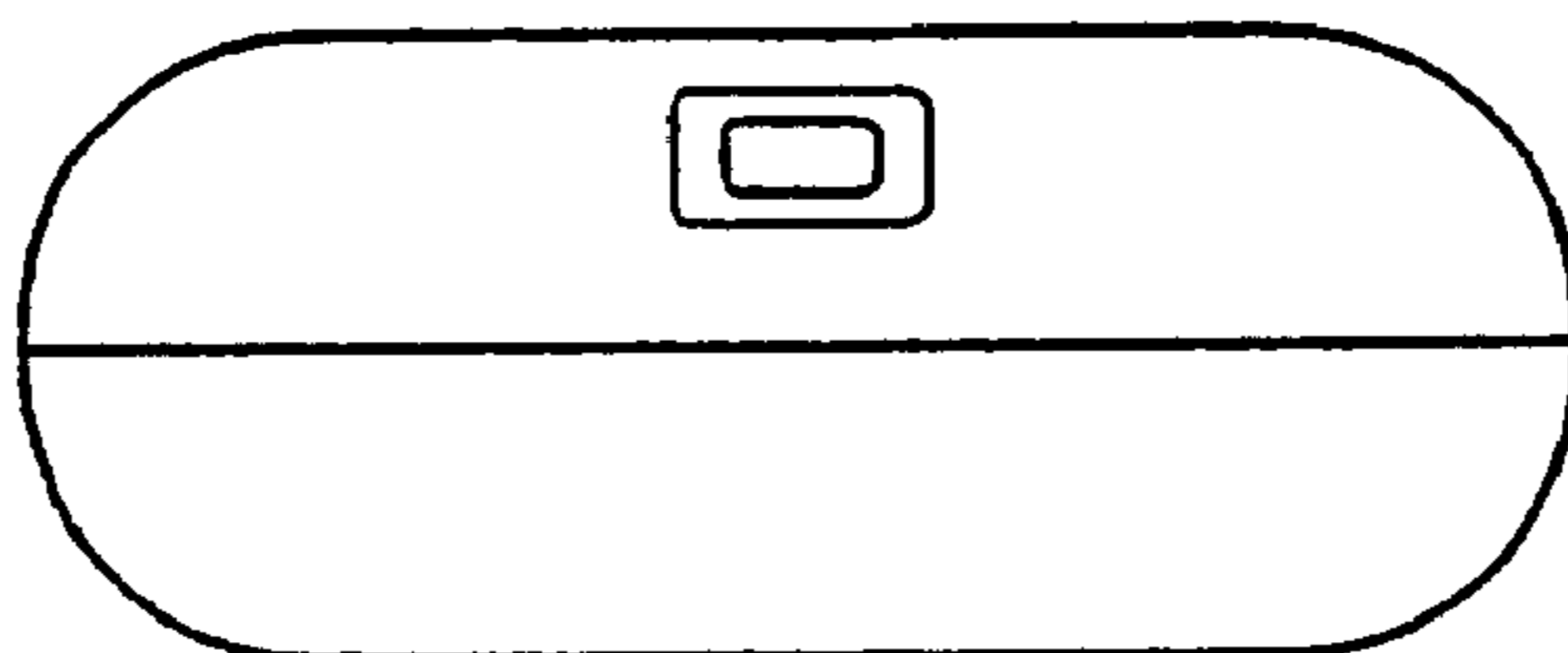


FIG. 7

FIG. 8

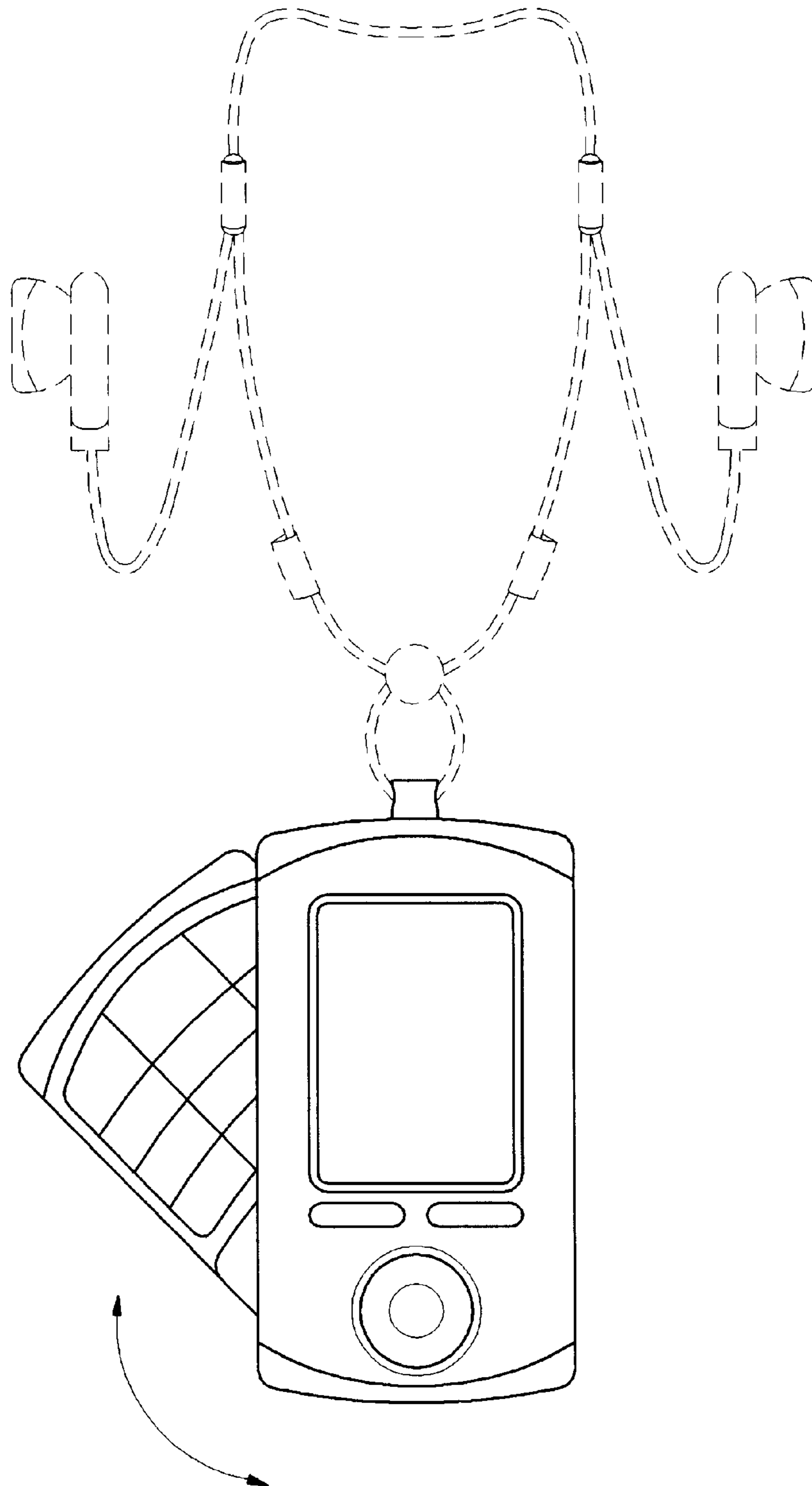


FIG. 9

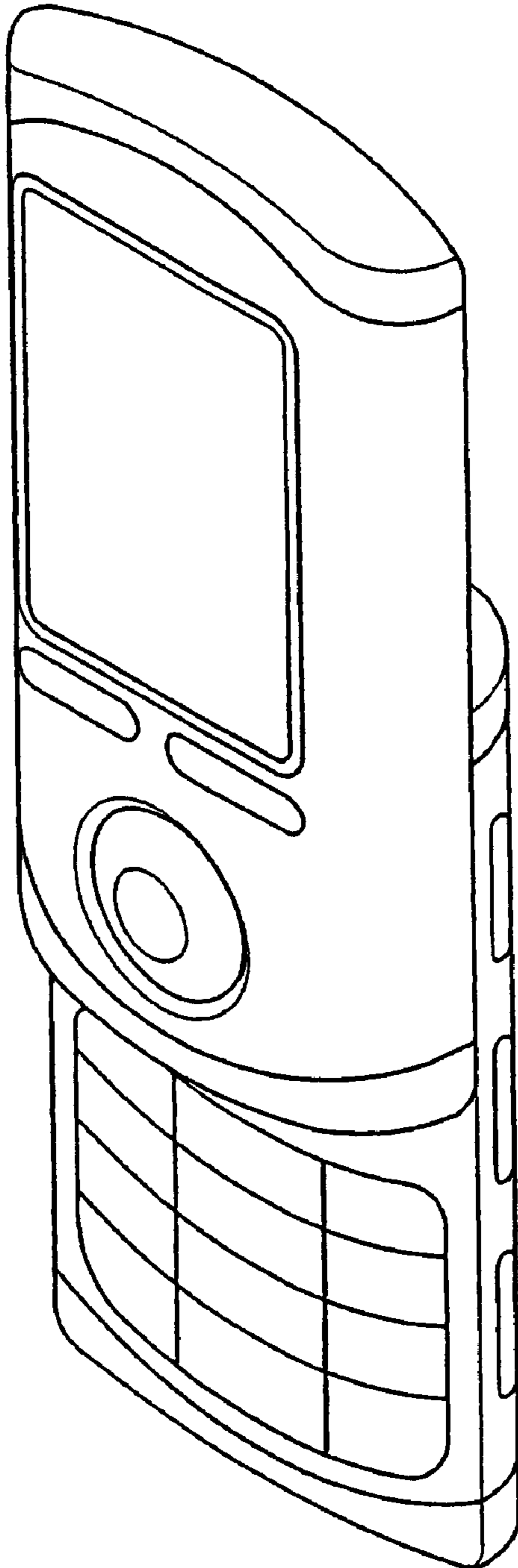


FIG. 10

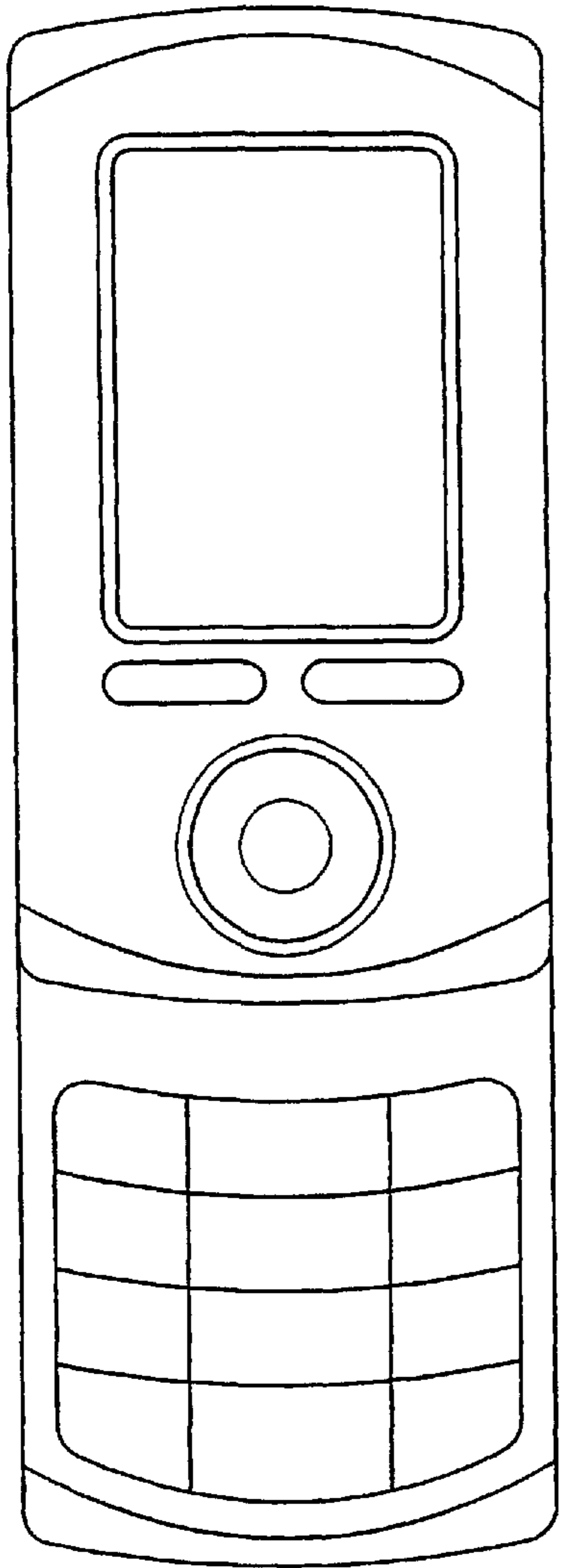


FIG. 11

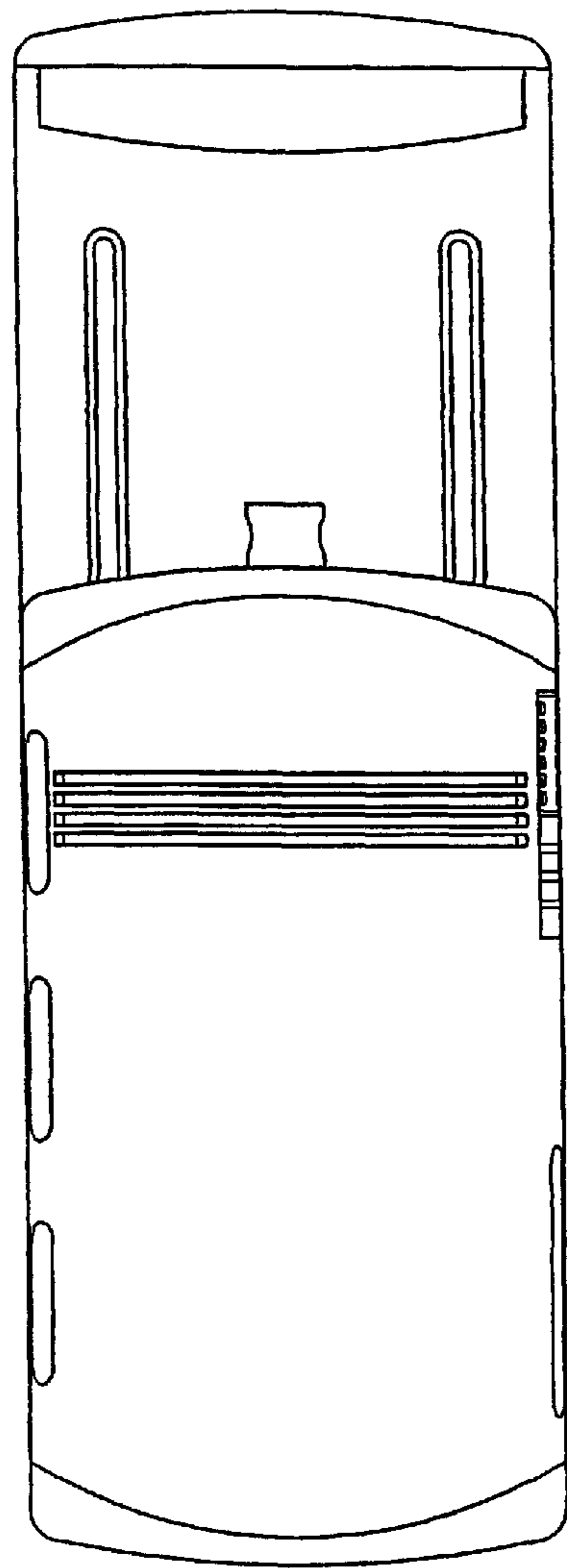


FIG. 12

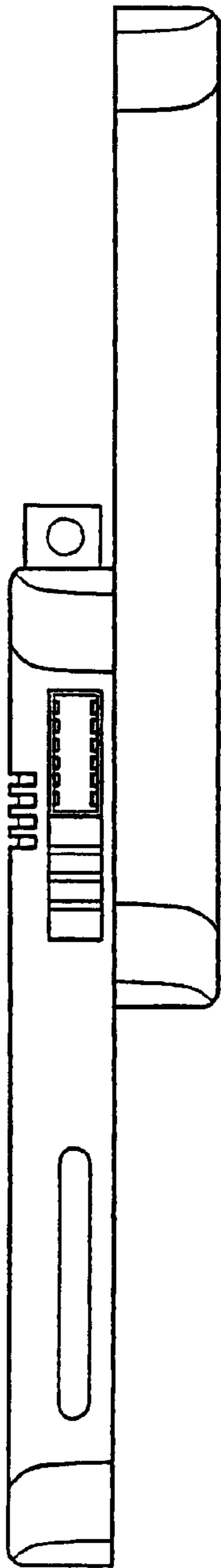


FIG. 13

