

US00D534886S

(12) **United States Design Patent**
Peng

(10) **Patent No.:** **US D534,886 S**

(45) **Date of Patent:** **** Jan. 9, 2007**

- (54) **AUDIO-VIDEO DISPLAY DEVICE**
- (75) Inventor: **Juen Tien Peng, Chung Li (TW)**
- (73) Assignee: **Action Electronics Co., Ltd, Chung Li (TW)**
- (**) Term: **14 Years**

D485,540 S	*	1/2004	Isshiki	D14/129
D501,452 S	*	2/2005	Peng	D14/129
D501,453 S	*	2/2005	Peng	D14/129
D501,656 S	*	2/2005	Peng	D14/129
D501,833 S	*	2/2005	Peng	D14/129
D501,835 S	*	2/2005	Peng	D14/129
D507,548 S	*	7/2005	Peng	D14/129
D510,330 S	*	10/2005	Peng	D14/132
D513,500 S	*	1/2006	Chen	D14/129

(21) Appl. No.: **29/220,145**

(22) Filed: **Dec. 28, 2004**

(51) **LOC (8) Cl.** **14-03**

(52) **U.S. Cl.** **D14/132**

(58) **Field of Classification Search** D14/125,
D14/129, 132, 136, 156, 374, 375; 348/180,
348/184, 325, 838; 341/12; 345/104, 133,
345/156, 168, 173, 87; 720/605, 669, 600,
720/655; 369/99, 197; 455/344, 345, 346,
455/347, 566; 368/12

See application file for complete search history.

(56) **References Cited**

U.S. PATENT DOCUMENTS

D445,100 S	*	7/2001	Sawai	D14/136
D447,738 S	*	9/2001	Usami et al.	D14/136
D456,373 S	*	4/2002	Usami et al.	D14/136
D484,472 S	*	12/2003	Isshiki	D14/132

* cited by examiner

Primary Examiner—Philip S. Hyder

(57) **CLAIM**

The ornamental design for an audio-video display device, as shown and described.

DESCRIPTION

FIG. 1 is a perspective view of audio-video display device showing my design.

FIG. 2 is a front elevational view thereof;

FIG. 3 is rear elevational view thereof.

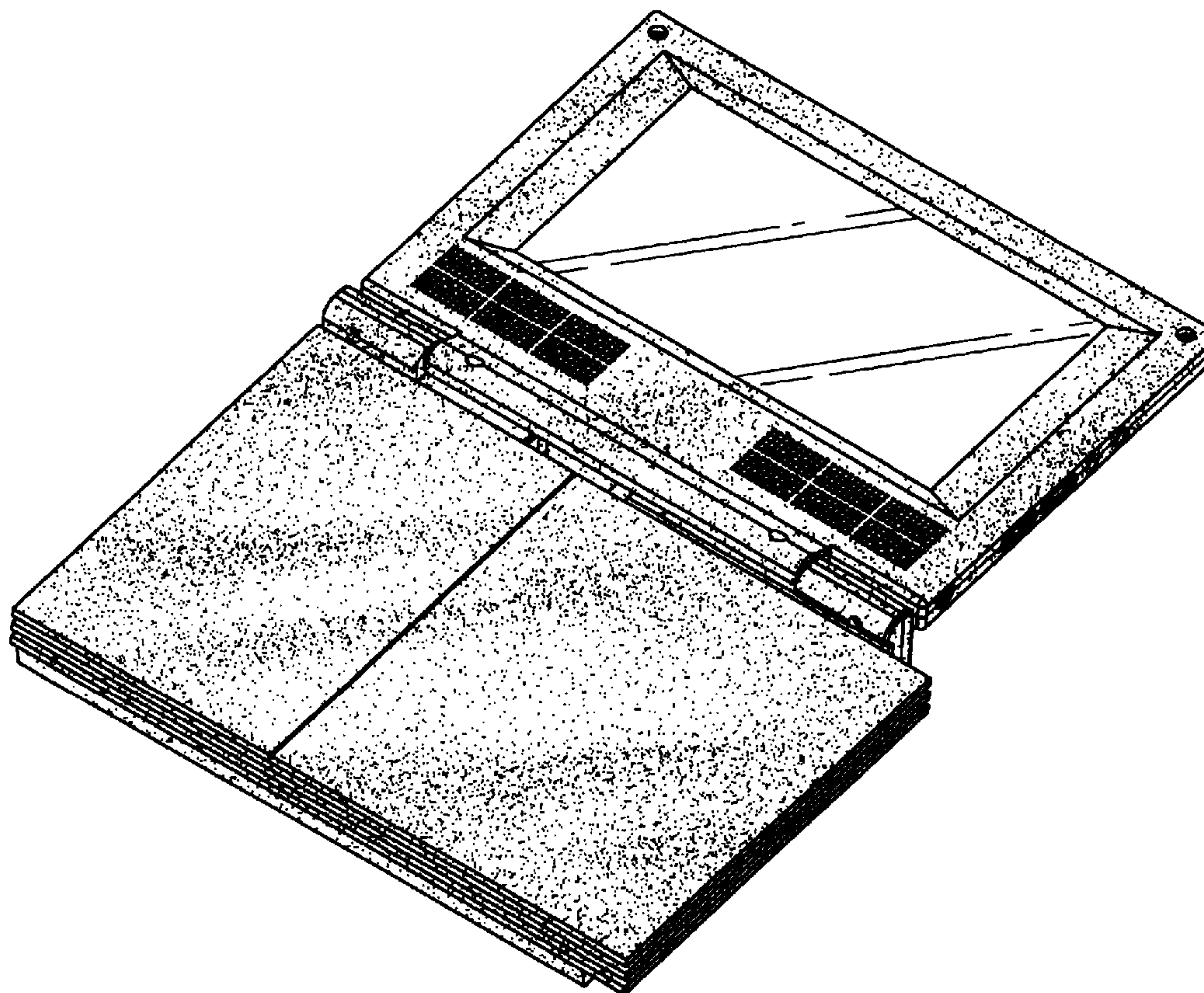
FIG. 4 is left elevational view thereof;

FIG. 5 is a right elevational view thereof;

FIG. 6 is a top view thereof; and,

FIG. 7 is a bottom view thereof.

1 Claim, 5 Drawing Sheets



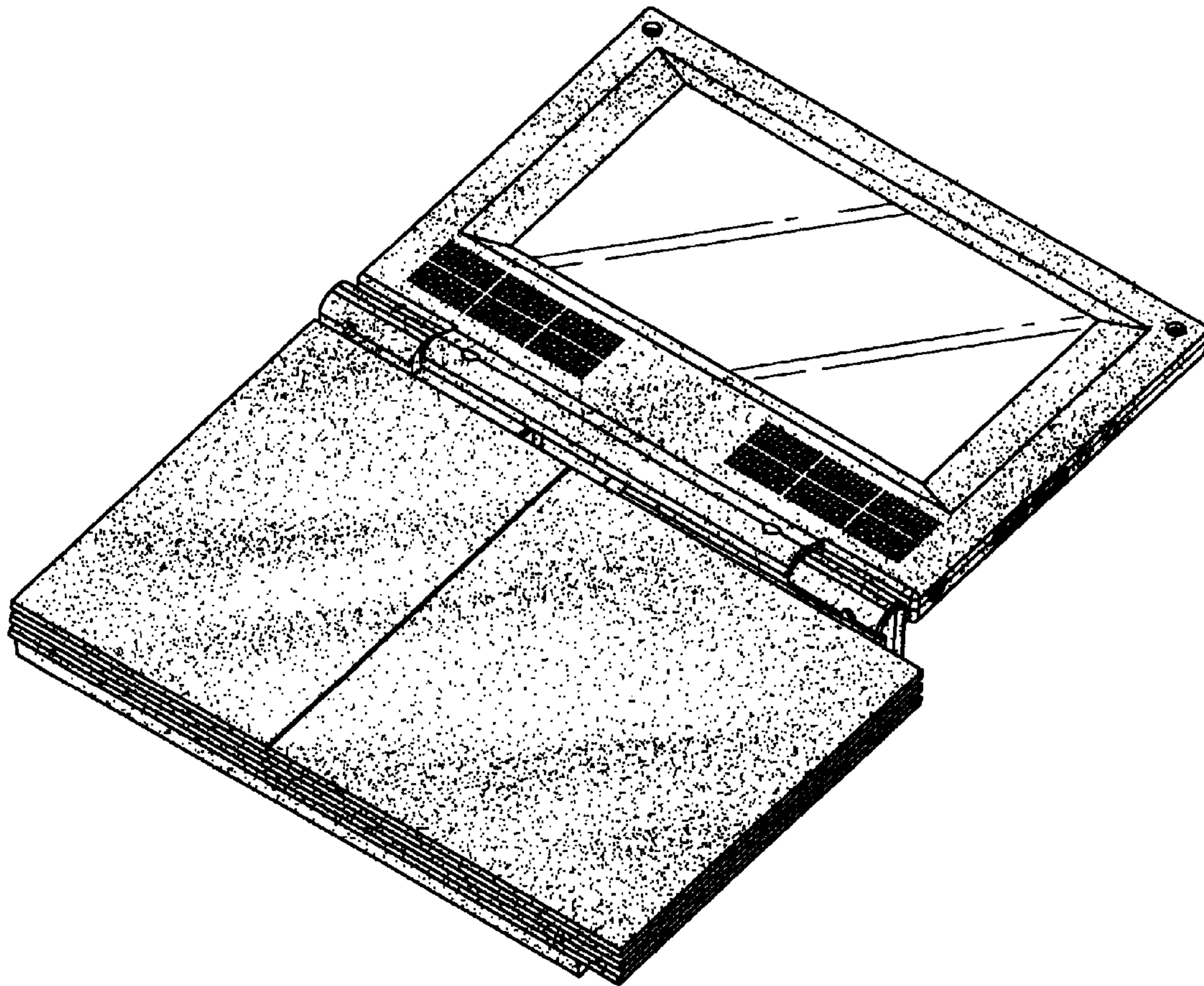


FIG. 1

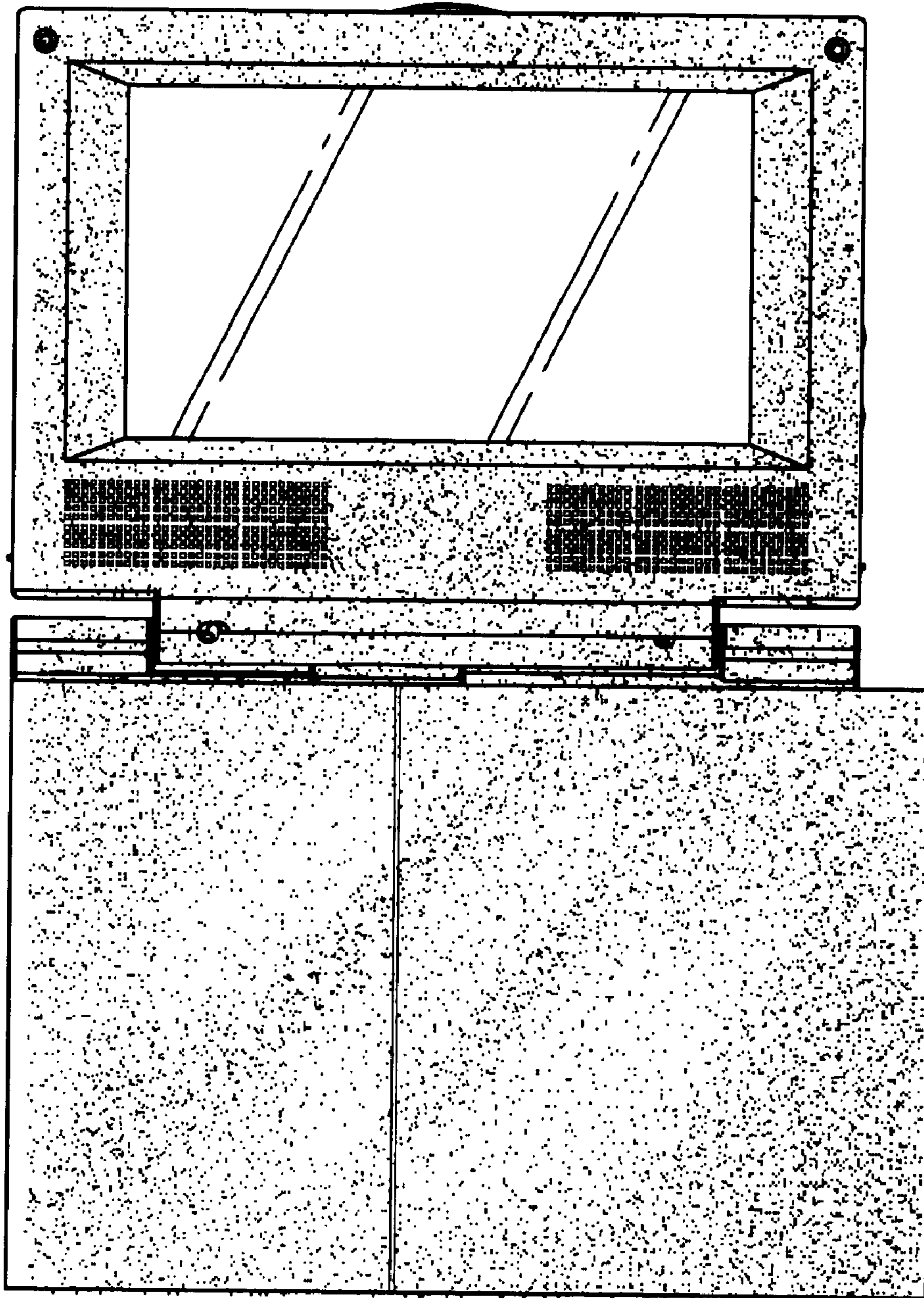


FIG. 2

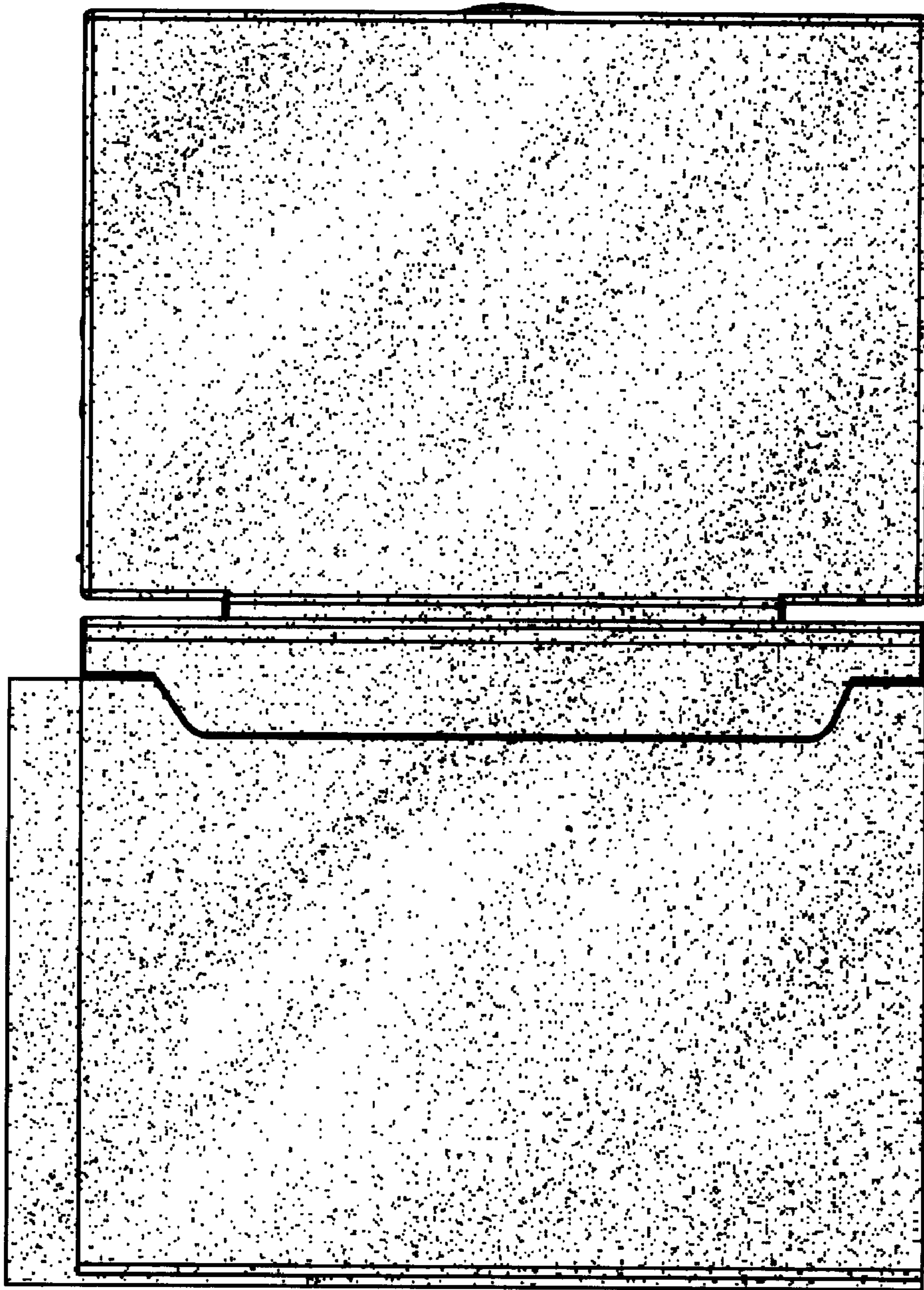


FIG. 3

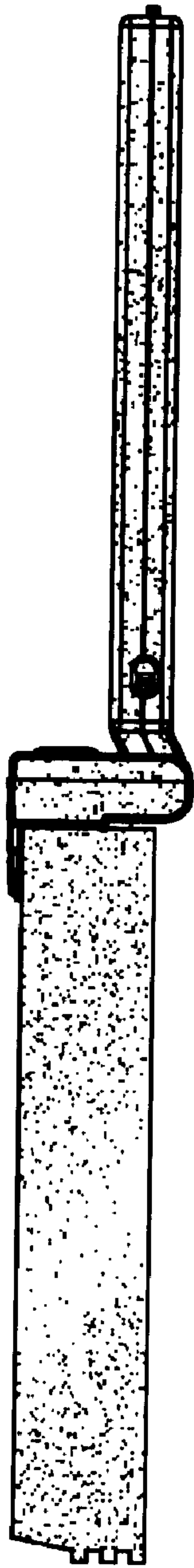


FIG. 4

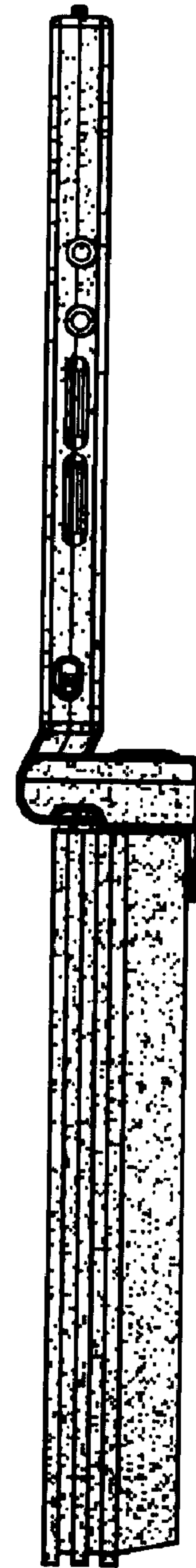


FIG. 5



FIG. 6

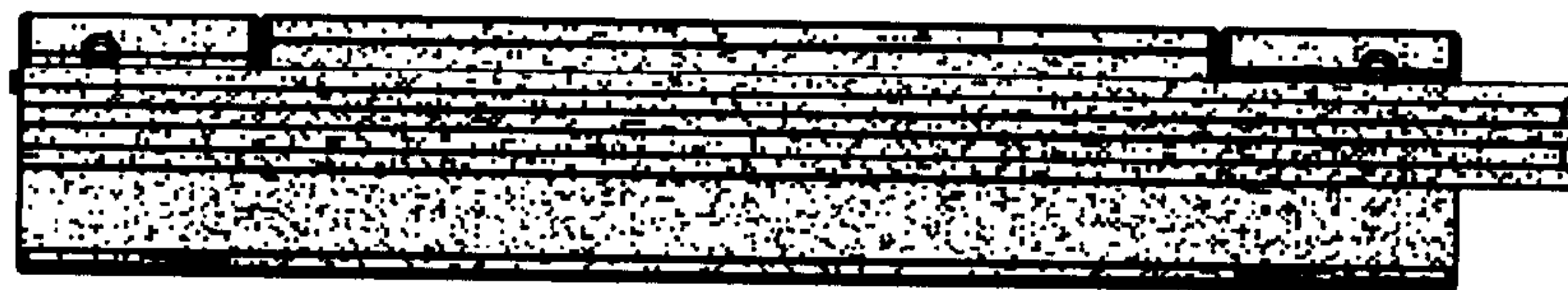


FIG. 7