



US00D534884S

(12) **United States Design Patent**  
**Nakanishi**

(10) **Patent No.:** **US D534,884 S**

(45) **Date of Patent:** **\*\* Jan. 9, 2007**

(54) **LIQUID CRYSTAL TELEVISION WITH DVD  
PLAYER**

(75) Inventor: **Hideaki Nakanishi**, Fukui (JP)

(73) Assignee: **Orion Electric Co., Ltd.**, Fukui (JP)

(\*\*) Term: **14 Years**

(21) Appl. No.: **29/218,582**

(22) Filed: **Dec. 6, 2004**

(51) **LOC (8) Cl.** ..... **14-03**

(52) **U.S. Cl.** ..... **D14/129; D14/126**

(58) **Field of Classification Search** ..... D14/125,  
D14/126, 127, 128, 129, 133, 134, 374, 375,  
D14/376; 348/836, 838, 180, 184, 325, 739;  
248/917-924; 345/104, 133, 156, 168, 87,  
345/173; 341/12

See application file for complete search history.

(56) **References Cited**

**U.S. PATENT DOCUMENTS**

D486,456 S	*	2/2004	Fujiki	.....	D14/126
D491,541 S	*	6/2004	Kubota	.....	D14/126
D496,009 S	*	9/2004	Takahashi et al.	.....	D14/126
D501,186 S	*	1/2005	Kita	.....	D14/126
D501,451 S	*	2/2005	Harata	.....	D14/126
D501,654 S	*	2/2005	Kita	.....	D14/126
D503,158 S	*	3/2005	Asanuma et al.	.....	D14/126

D504,876 S	*	5/2005	Zheng	.....	D14/126
D505,926 S	*	6/2005	Inoue et al.	.....	D14/126
D508,470 S	*	8/2005	Inoue et al.	.....	D14/126
D509,197 S	*	9/2005	Asawa et al.	.....	D14/126
D509,198 S	*	9/2005	Ahn	.....	D14/126
D510,567 S	*	10/2005	Honda	.....	D14/126
D510,730 S	*	10/2005	Asanuma et al.	.....	D14/126
D510,917 S	*	10/2005	Negishi et al.	.....	D14/126
D510,919 S	*	10/2005	Kubota et al.	.....	D14/126
D511,152 S	*	11/2005	Lee	.....	D14/126

\* cited by examiner

*Primary Examiner*—Philip S. Hyder

(74) *Attorney, Agent, or Firm*—Wenderoth, Lind & Ponack,  
L.L.P.

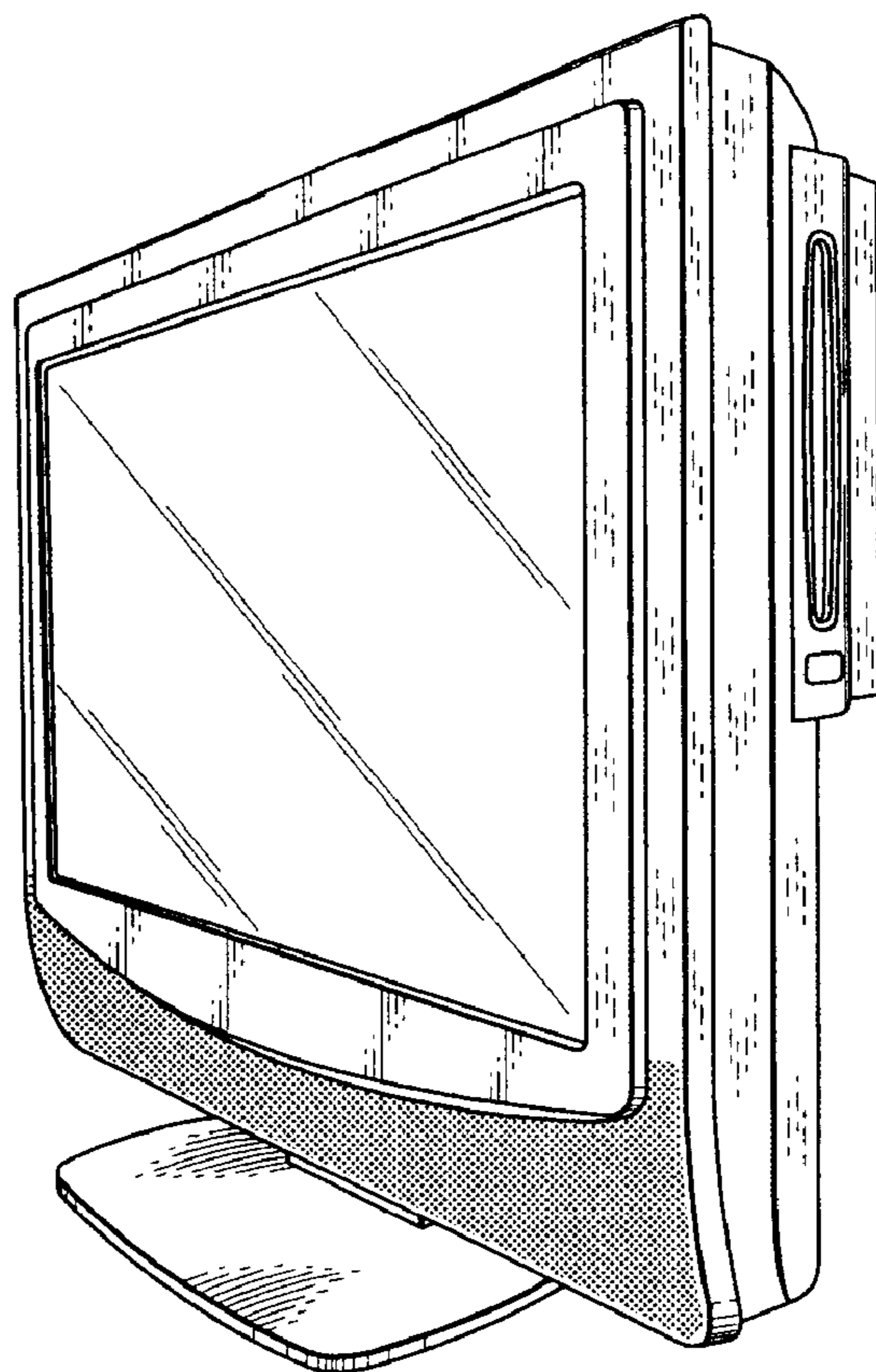
(57) **CLAIM**

The ornamental design for a liquid crystal television with DVD player, as shown.

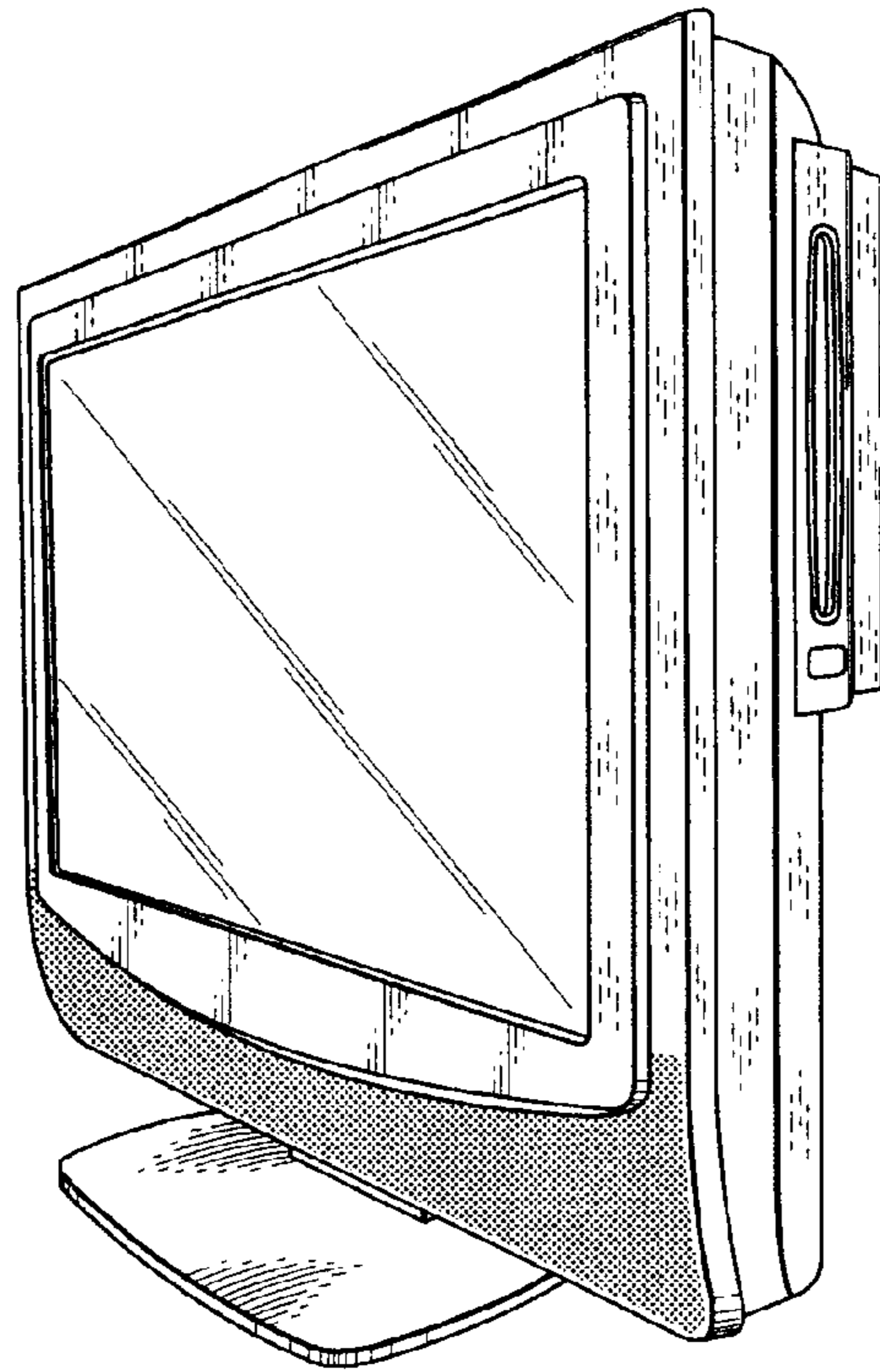
**DESCRIPTION**

FIG. 1 is a perspective view of the liquid crystal television with DVD player showing my new design;  
FIG. 2 is a front elevational view thereof;  
FIG. 3 is a right side elevational view thereof;  
FIG. 4 is a left side elevational view thereof;  
FIG. 5 is a top plan view thereof;  
FIG. 6 is a bottom plan view thereof; and,  
FIG. 7 is a rear elevational view thereof.

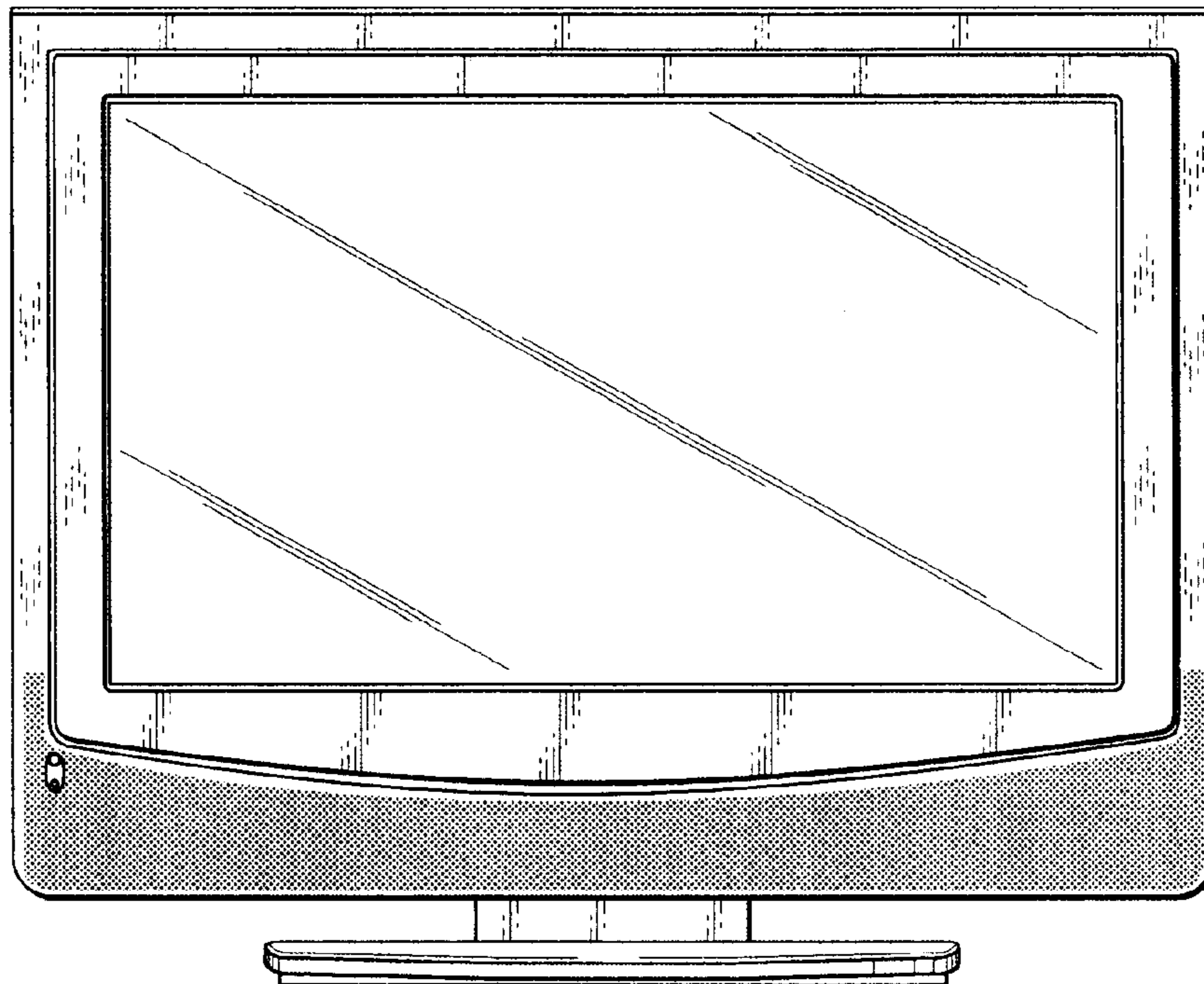
**1 Claim, 4 Drawing Sheets**



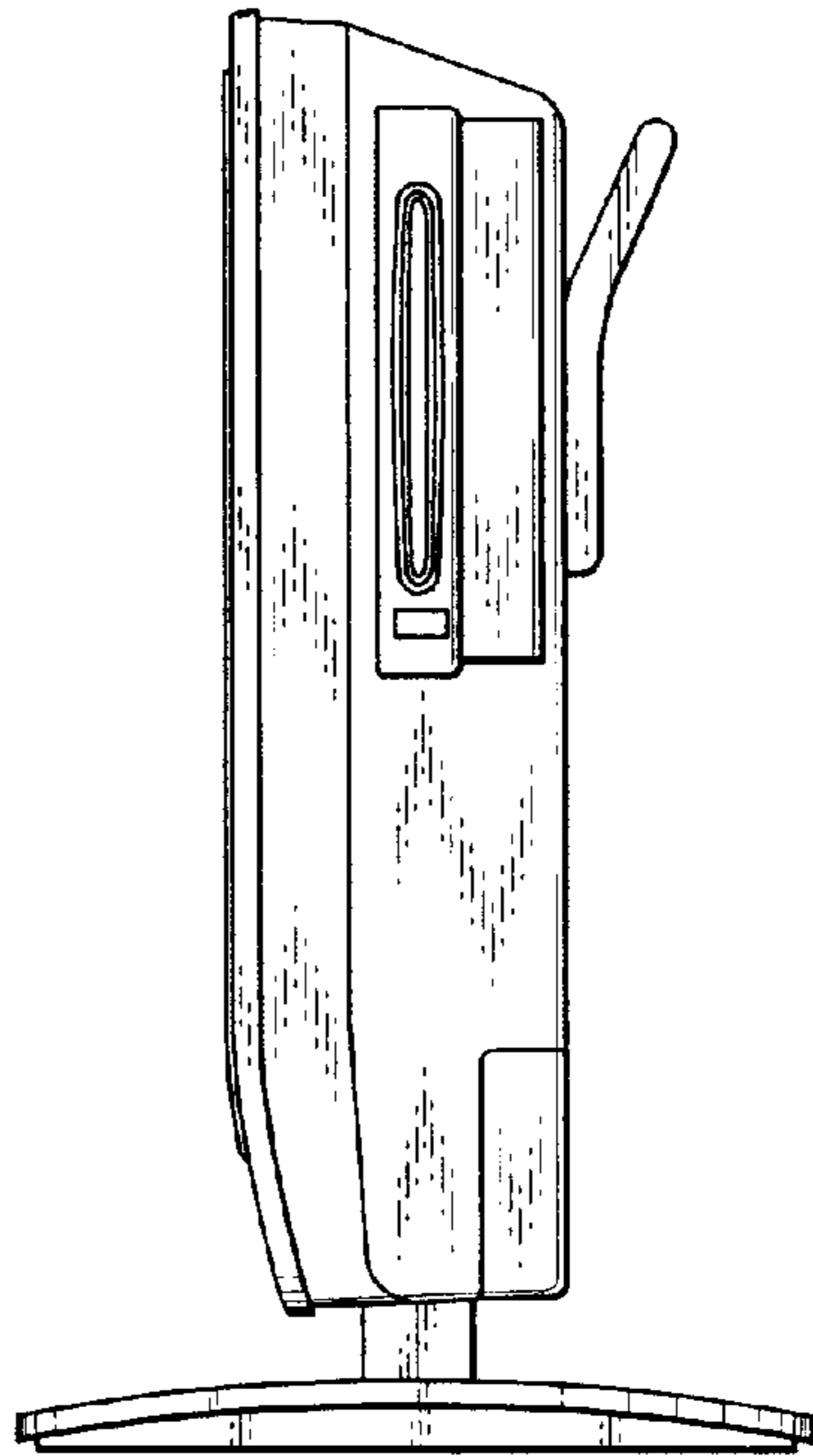
*Fig. 1*



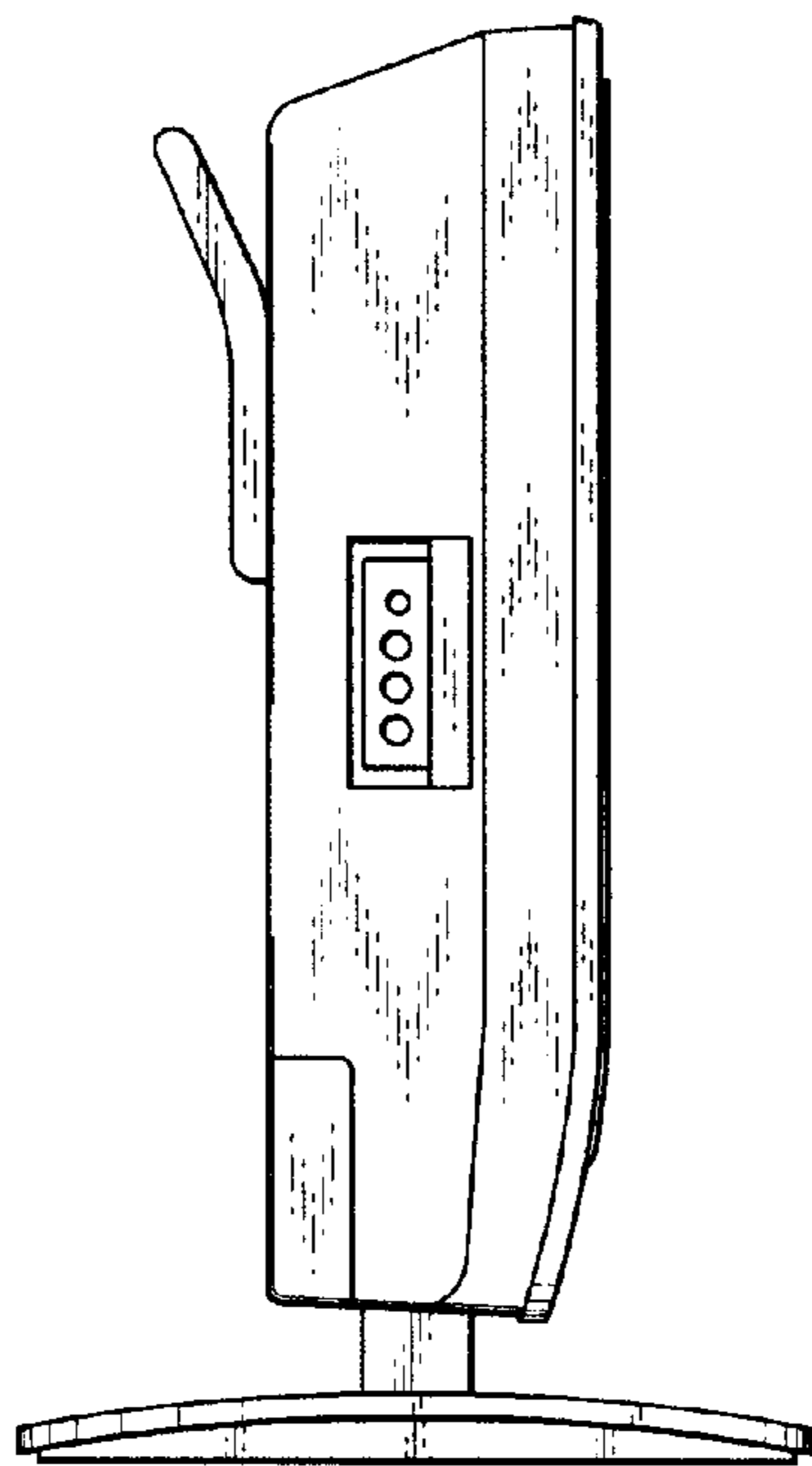
*Fig. 2*



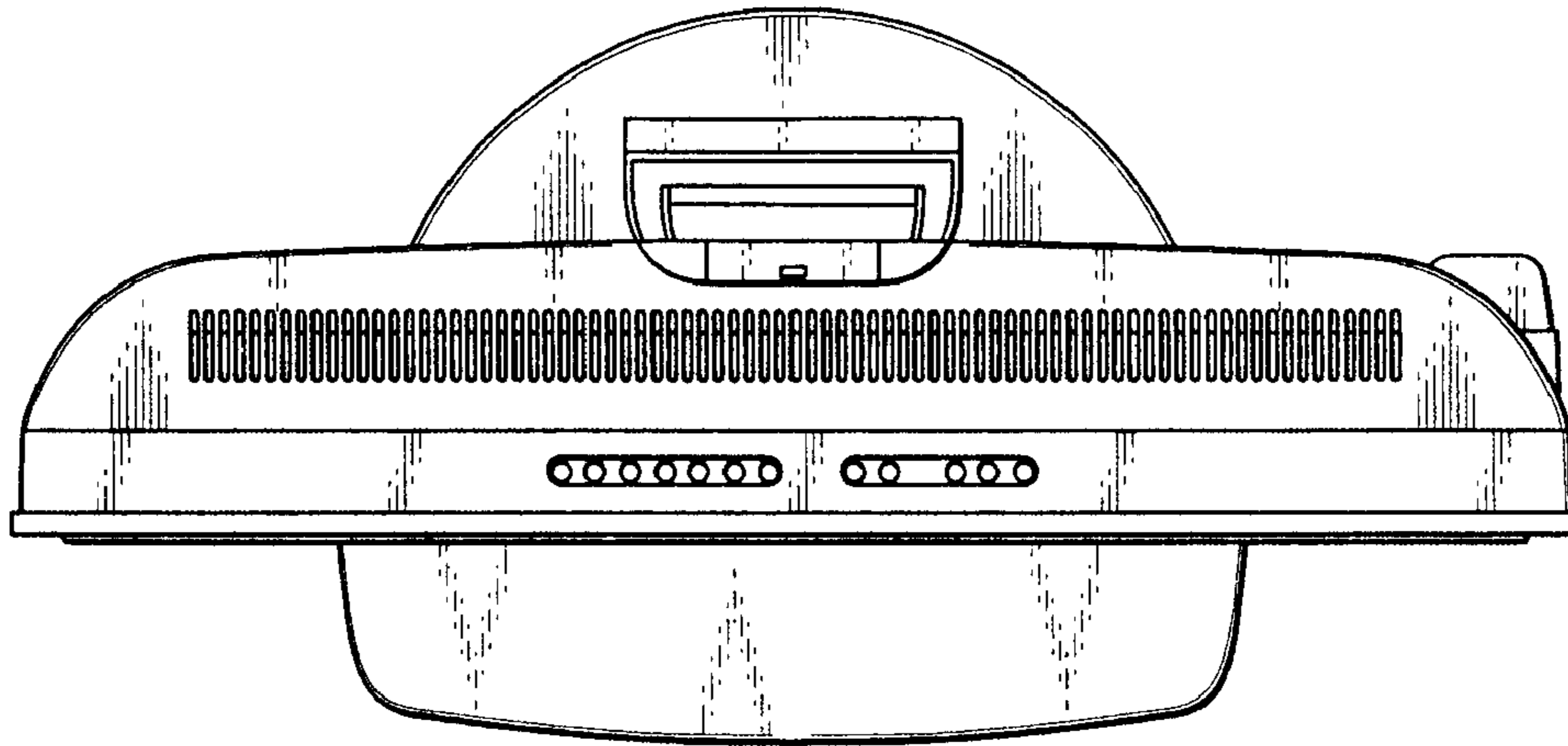
*Fig. 3*



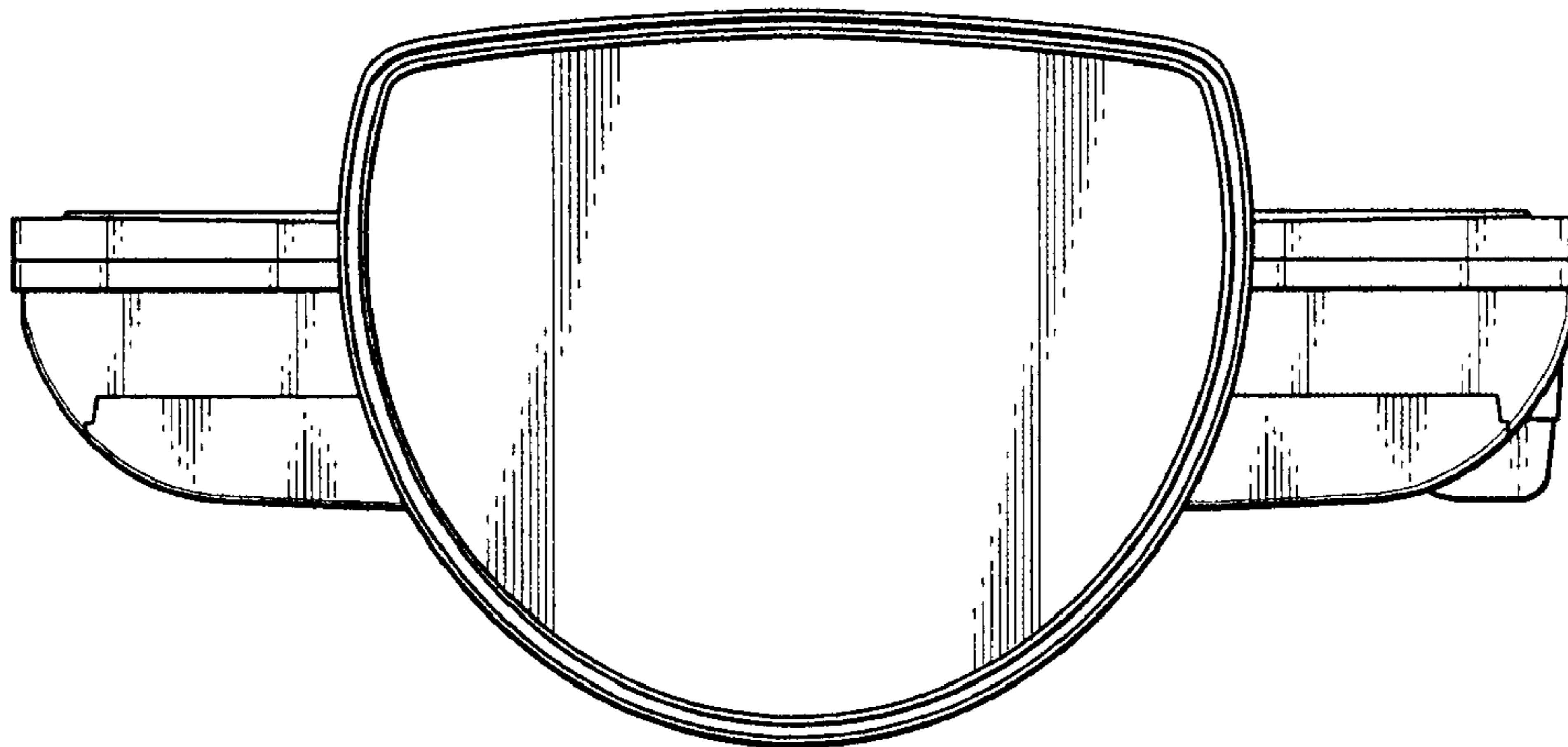
*Fig. 4*



*Fig. 5*



*Fig. 6*



*Fig. 7*

