



US00D534883S

(12) **United States Design Patent**
Kang et al.

(10) **Patent No.:** **US D534,883 S**
(45) **Date of Patent:** **** Jan. 9, 2007**

(54) **PROJECTION TELEVISION**

(75) Inventors: **Yun-Je Kang**, Seoul (KR); **Dong-Hee Won**, Seoul (KR)
(73) Assignee: **Samsung Electronics Co., Ltd.**, Kyunggi-do (KR)
(**) Term: **14 Years**

(21) Appl. No.: **29/228,022**
(22) Filed: **Apr. 19, 2005**

(51) **LOC (8) Cl.** **14-03**
(52) **U.S. Cl.** **D14/128**
(58) **Field of Classification Search** D14/125, D14/126, 127, 128, 129, 133, 134; 348/836, 348/838, 180, 184, 325, 739; 248/917-924; 345/104, 133, 156, 168, 87, 173; 341/12
See application file for complete search history.

(56) **References Cited**

U.S. PATENT DOCUMENTS

D357,468 S	4/1995	Rodd	
D412,892 S	8/1999	Lee	
6,015,120 A	1/2000	Sweere et al.	
D458,928 S	6/2002	Duan	
D472,532 S	* 4/2003	Niitsu D14/126
D477,320 S	7/2003	Peng et al.	
D489,042 S	* 4/2004	Joe et al. D14/126
D489,370 S	5/2004	Jobs et al.	
D499,386 S	* 12/2004	Yang D14/126
D508,471 S	* 8/2005	Chen et al. D14/128
D511,753 S	* 11/2005	Joe et al. D14/128
D512,032 S	* 11/2005	Joe et al. D14/128
D512,389 S	* 12/2005	Joe et al. D14/128
D517,028 S	* 3/2006	Joe et al. D14/128

OTHER PUBLICATIONS

U.S. Appl. No. 29/212,121, Applicant: Eui-Seok Kim, filed Aug. 26, 2004 entitled LCD Monitor.
U.S. Appl. No. 29/217,926, Applicant: Young-Jun Kim, et al., filed Nov. 23, 2004 entitled Projection Television.
U.S. Appl. No. 29/218,855, Applicant: Seung-Ho Lee, et al., filed Dec. 8, 2004 entitled LCD TV.
U.S. Appl. No. 29/218,856, Applicant: Seung-Ho Lee, et al., filed Dec. 8, 2004 entitled LCD TV.
U.S. Appl. No. 29/228,541, Applicant: Young-Sun Shin, et al., filed Apr. 25, 2005 entitled Television.
U.S. Appl. No. 29/228,026, Applicant: Yun-Je Kang, et al., filed Apr. 19, 2005 entitled Projection Television.
U.S. Appl. No. 29/228,024, Applicant: Ki-Soo Kim, et al., filed Apr. 19, 2005 entitled LCD Television.

* cited by examiner

Primary Examiner—Philip S. Hyder
(74) *Attorney, Agent, or Firm*—Flynn, Thiel, Boutell & Tanis, P.C.

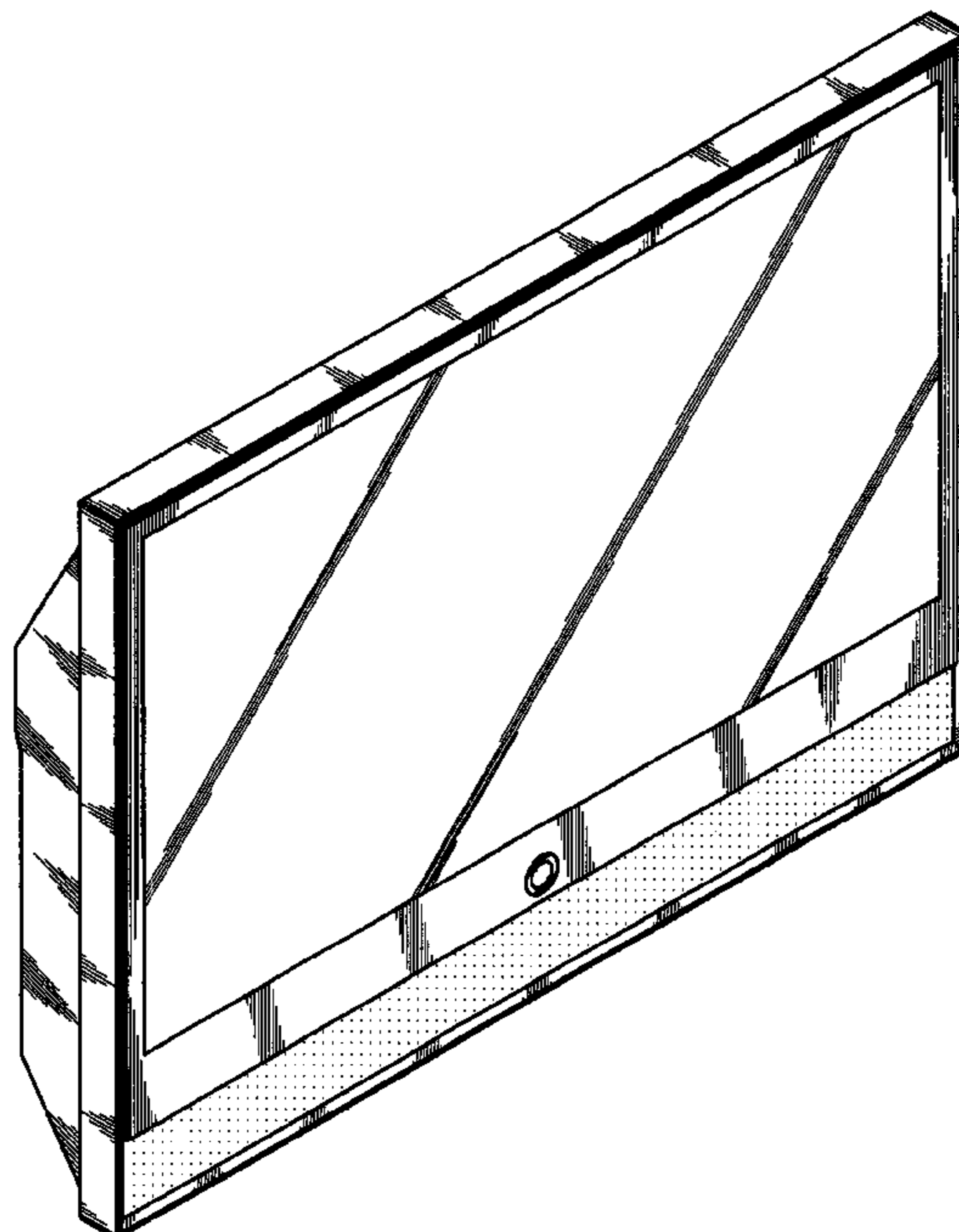
(57) **CLAIM**

The ornamental design for a projection television, as shown and described.

DESCRIPTION

FIG. 1. is a top front perspective view of a projection television showing our new design.
FIG. 2. is a front elevational view thereof.
FIG. 3. is a rear elevational view thereof.
FIG. 4. is a left side elevational view thereof.
FIG. 5. is a right side elevational view thereof.
FIG. 6. is a top plan view thereof; and,
FIG. 7. is a bottom plan view thereof.

1 Claim, 6 Drawing Sheets



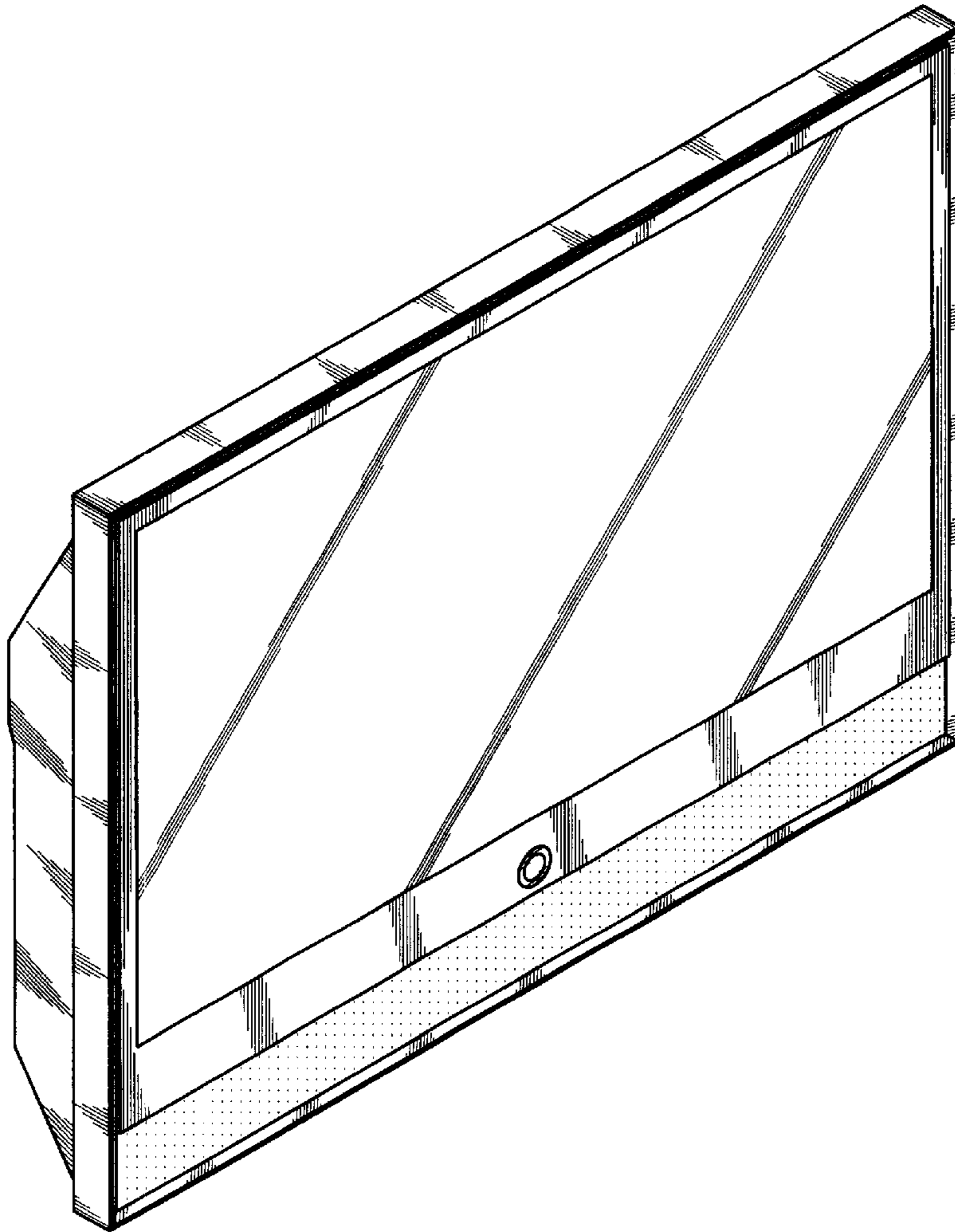


FIG. 1

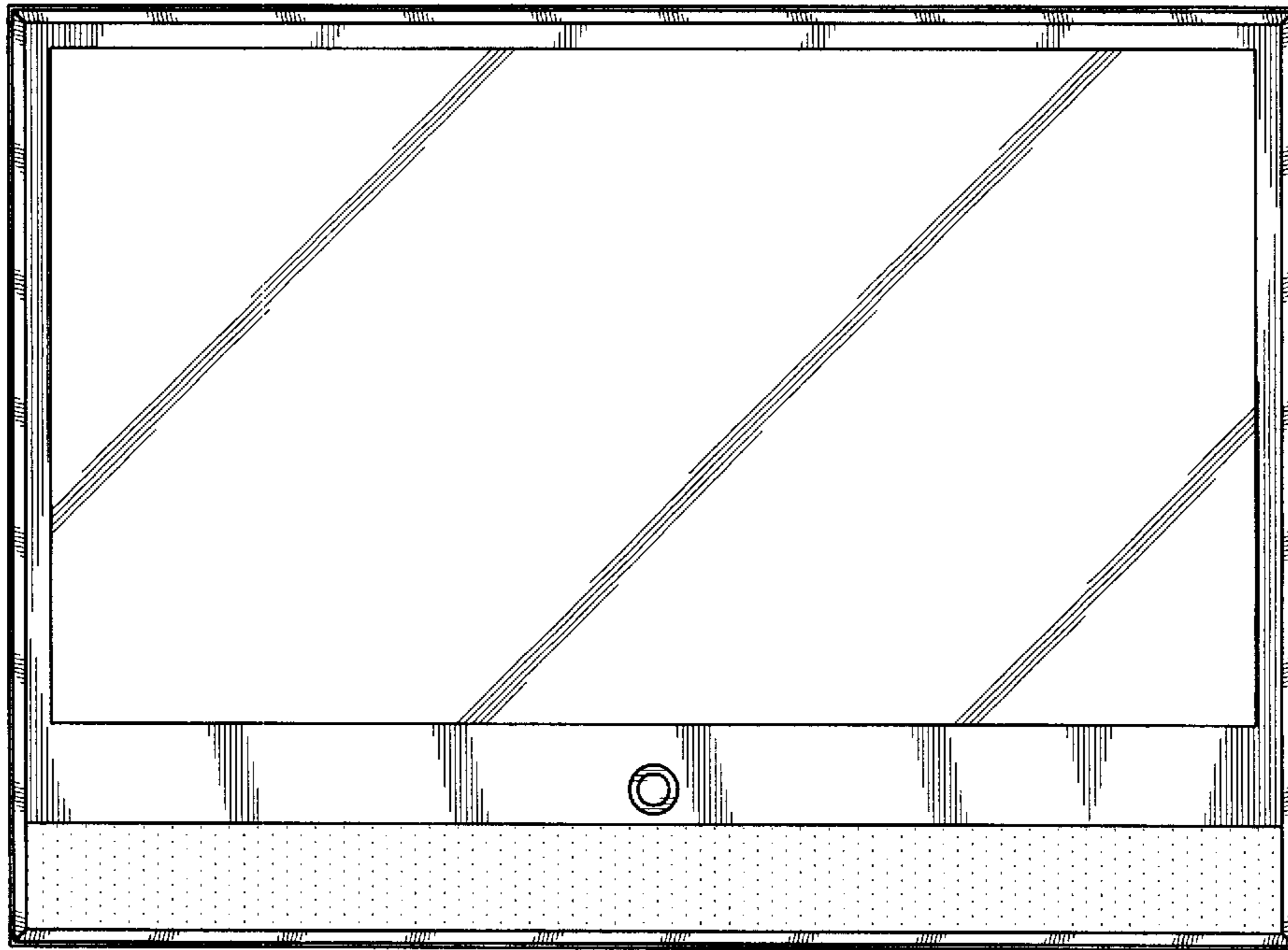


FIG. 2

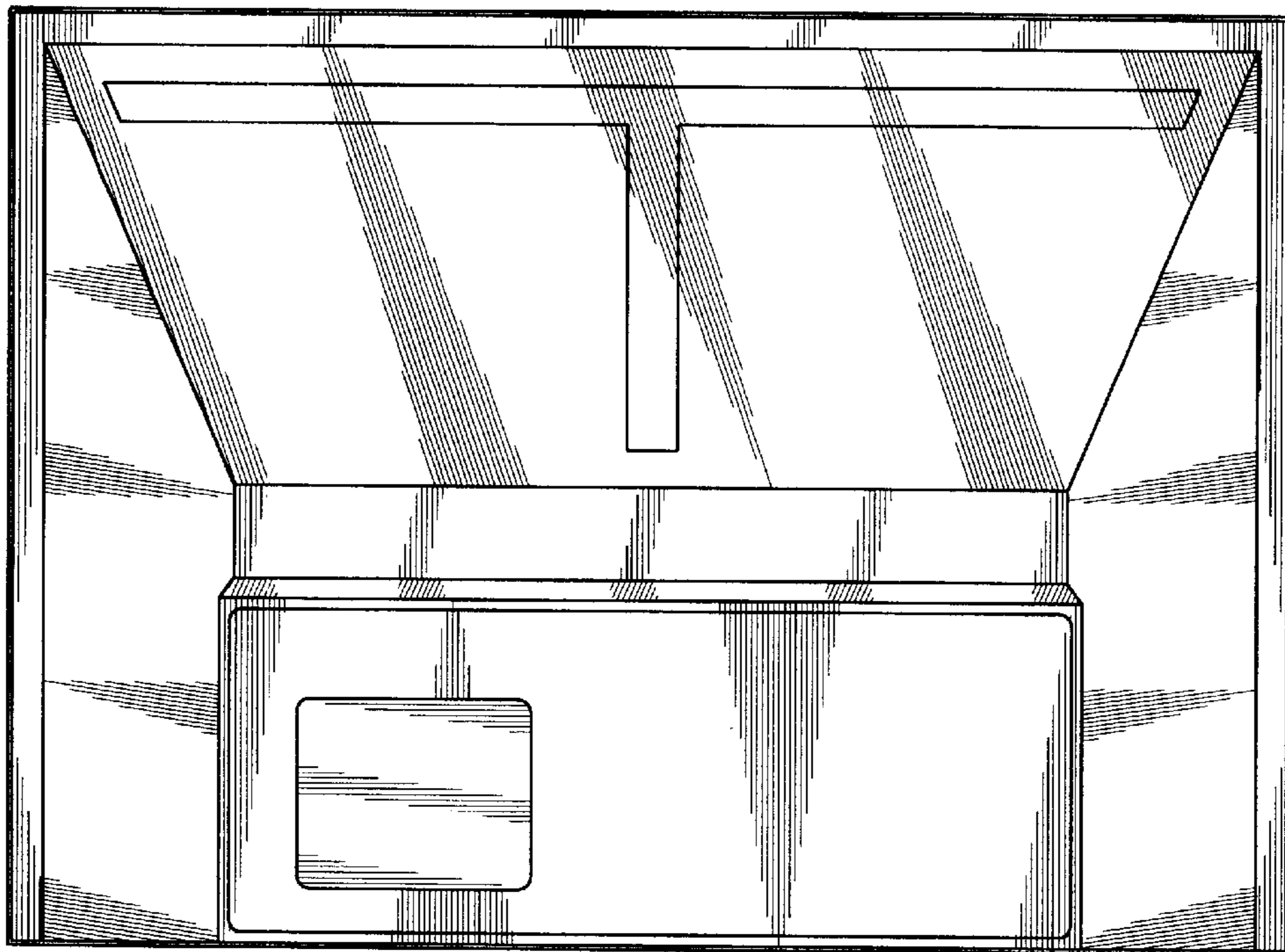


FIG. 3

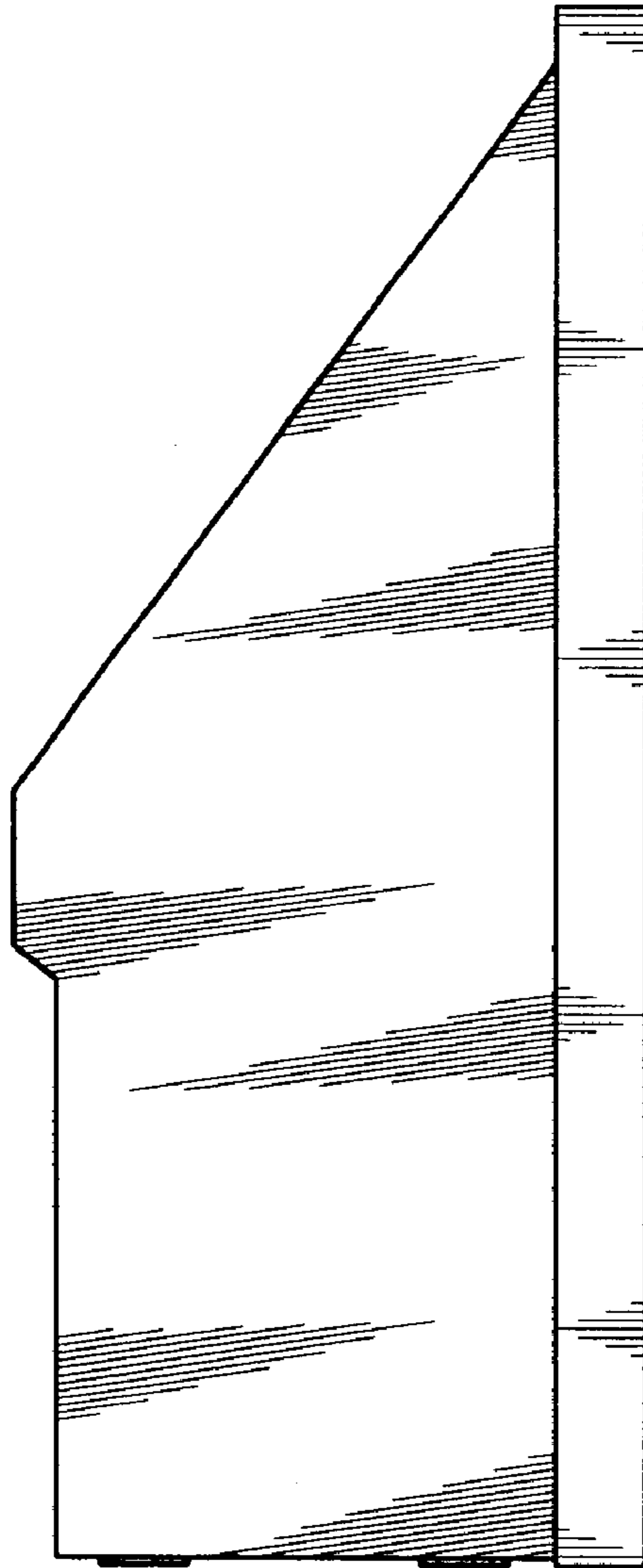


FIG. 4

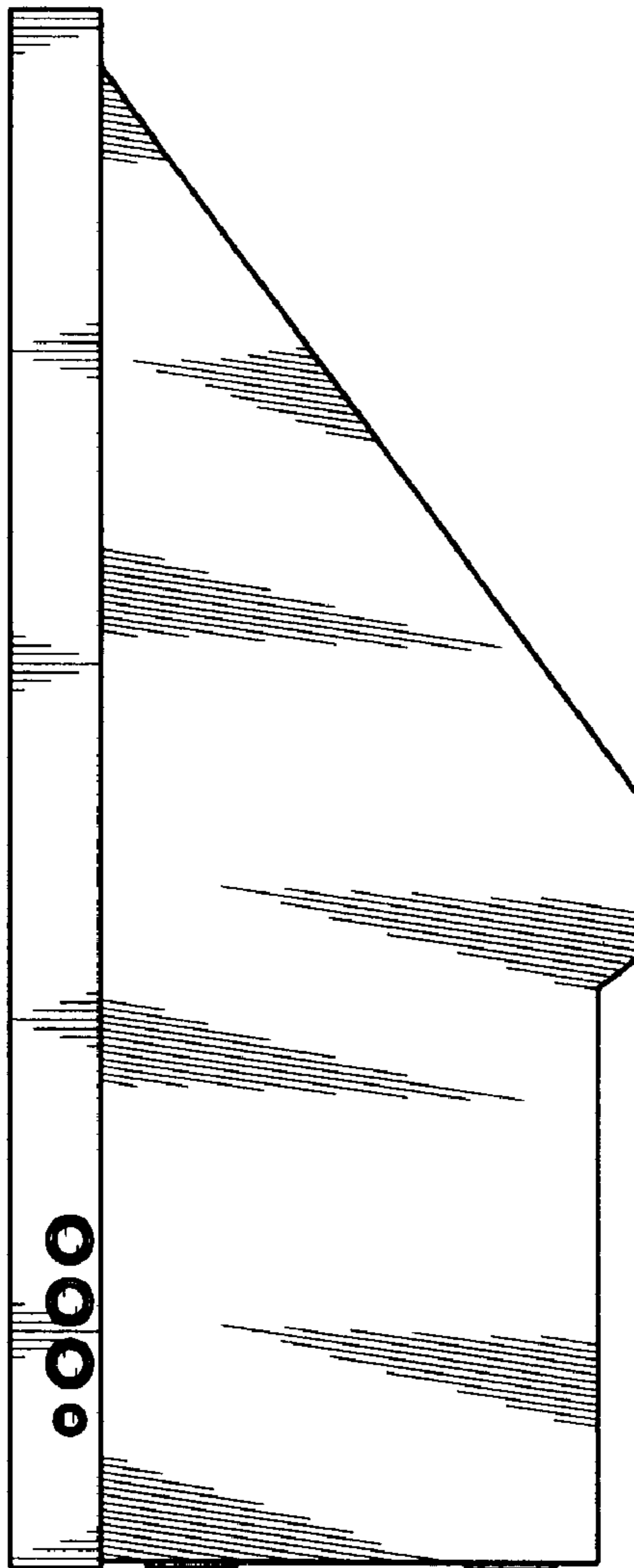


FIG. 5

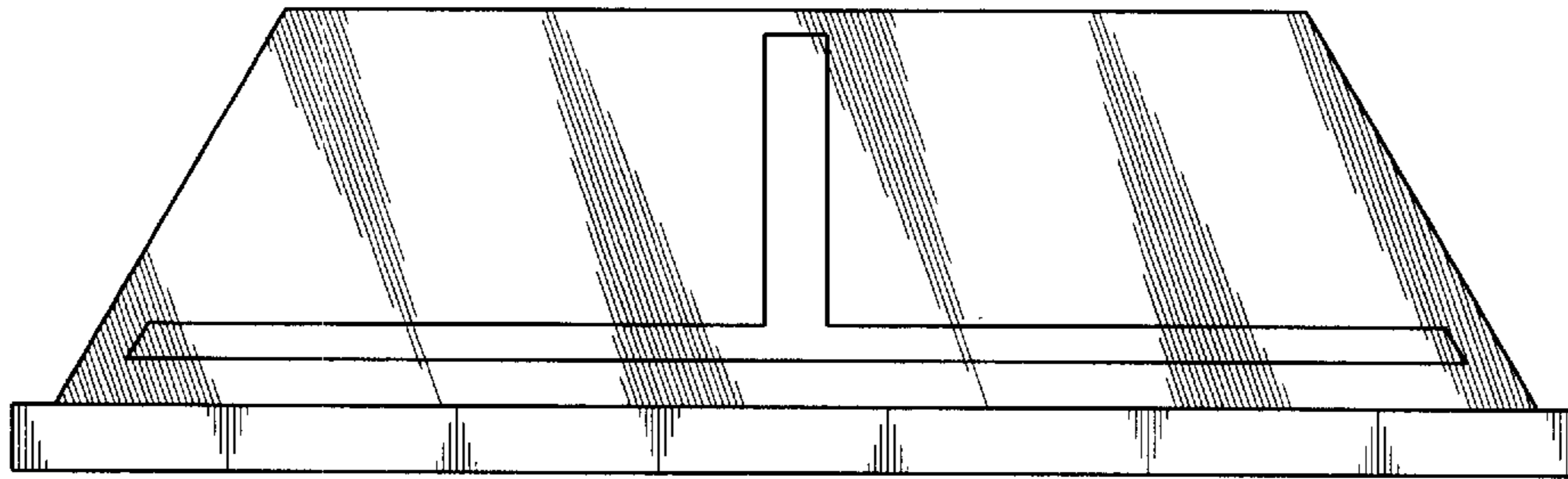


FIG. 6

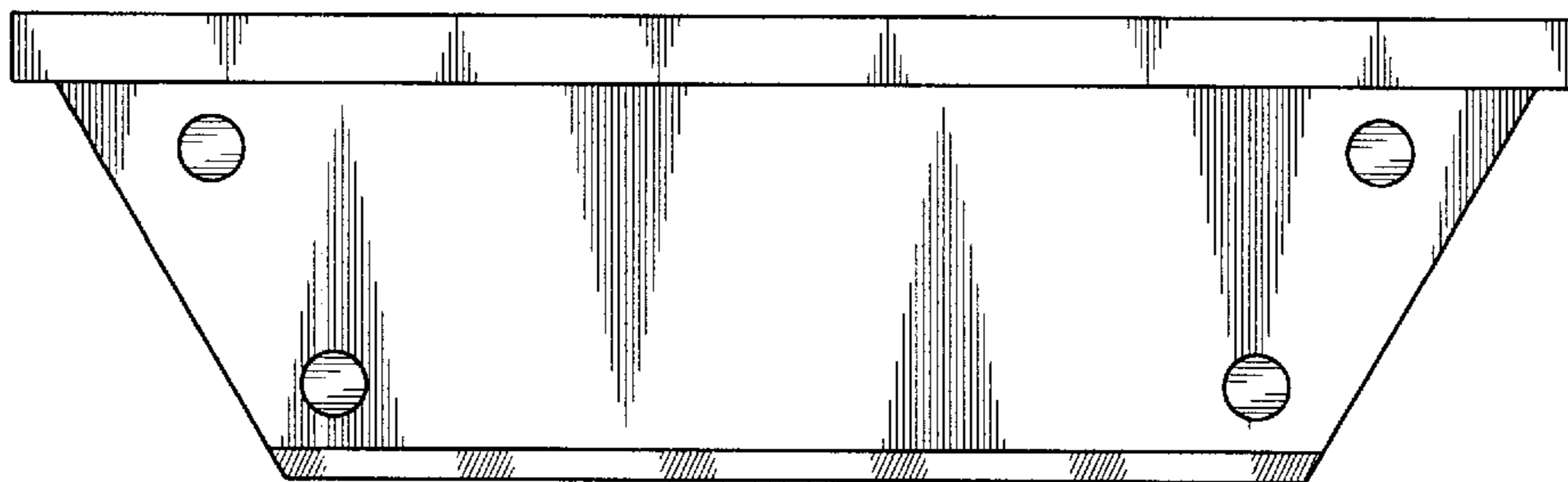


FIG. 7