



US00D534880S

(12) **United States Design Patent**
Peng

(10) **Patent No.:** **US D534,880 S**

(45) **Date of Patent:** **** Jan. 9, 2007**

(54) **MULTIMEDIA DISPLAY DEVICE**

(75) Inventor: **Juen Tien Peng, Chung Li (TW)**

(73) Assignee: **Action Electronics Co., Ltd., Chung Li (TW)**

(**) Term: **14 Years**

(21) Appl. No.: **29/218,386**

(22) Filed: **Dec. 2, 2004**

(51) **LOC (8) Cl.** **14-03**

(52) **U.S. Cl.** **D14/126**

(58) **Field of Classification Search** D14/125-135,
D14/239, 379, 371, 374, 375, 376, 113; D13/151,
D13/153; 312/7.2; 348/836, 838, 180, 184,
348/325, 739; 341/12; 248/917-924; 345/104,
345/133, 156, 168, 87, 173; 349/1, 2, 11,
349/62

See application file for complete search history.

(56) **References Cited**

U.S. PATENT DOCUMENTS

- D483,020 S * 12/2003 Nagao et al. D14/126
- D491,540 S * 6/2004 Honda D14/126
- D498,217 S * 11/2004 Kim et al. D14/126

- D499,386 S * 12/2004 Yang D14/126
- D501,186 S * 1/2005 Kita D14/126
- D501,451 S * 2/2005 Harata D14/126
- D503,158 S * 3/2005 Asanuma et al. D14/126
- D509,197 S * 9/2005 Asawa et al. D14/126
- D512,385 S * 12/2005 Kita D14/126
- D523,405 S * 6/2006 Honda D14/126

* cited by examiner

Primary Examiner—Raphael Barkai
Assistant Examiner—Randall H. Gholson

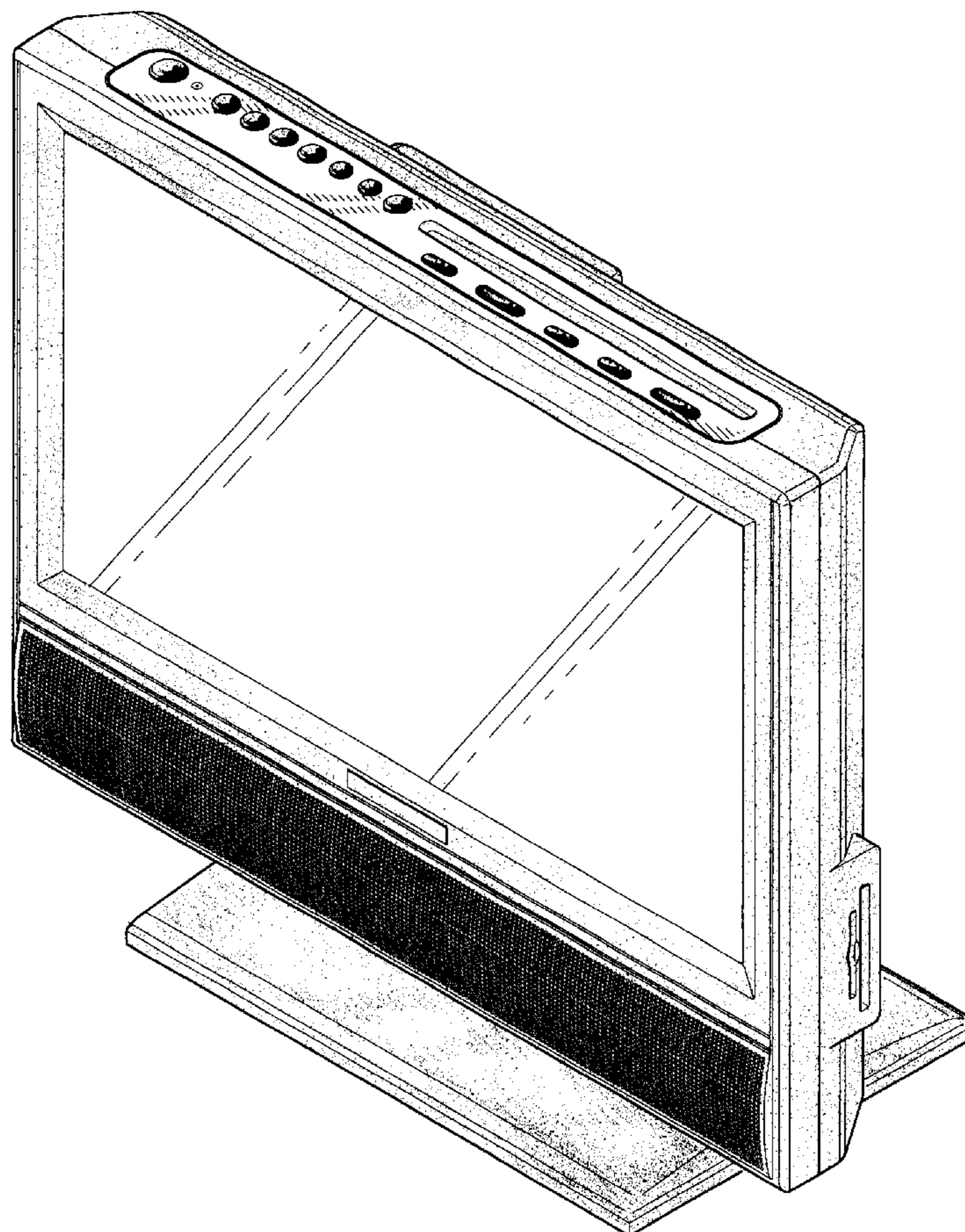
(57) **CLAIM**

The ornamental design of a multimedia display device, as shown and described.

DESCRIPTION

FIG. 1 is a perspective view of LCD player with display showing my design;
FIG. 2 is a front elevational view thereof;
FIG. 3 is a rear elevational view thereof;
FIG. 4 is a left elevational view thereof;
FIG. 5 is a right elevational view thereof;
FIG. 6 is a top elevational view thereof; and,
FIG. 7 is a bottom elevational view thereof.

1 Claim, 4 Drawing Sheets



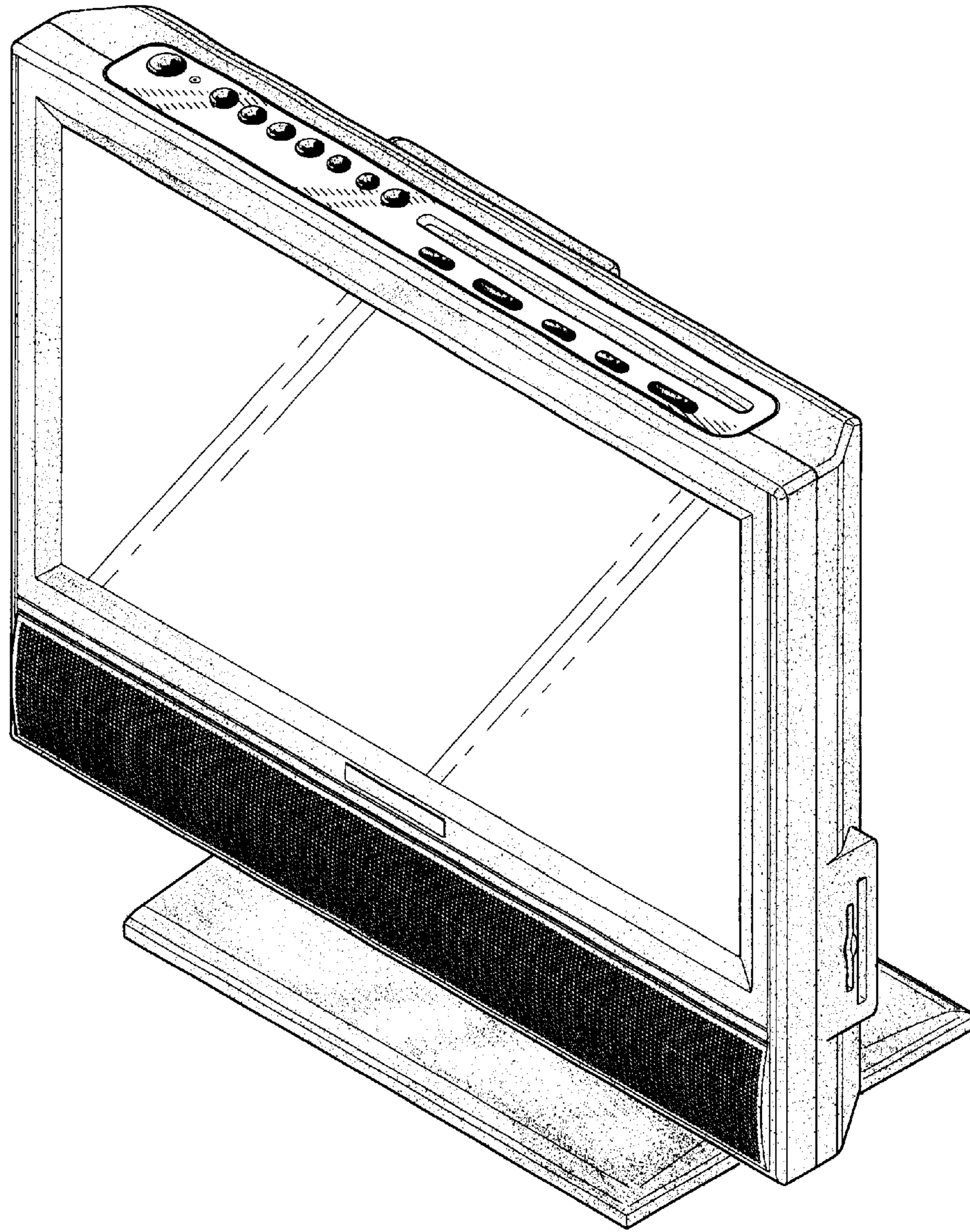


FIG. 1

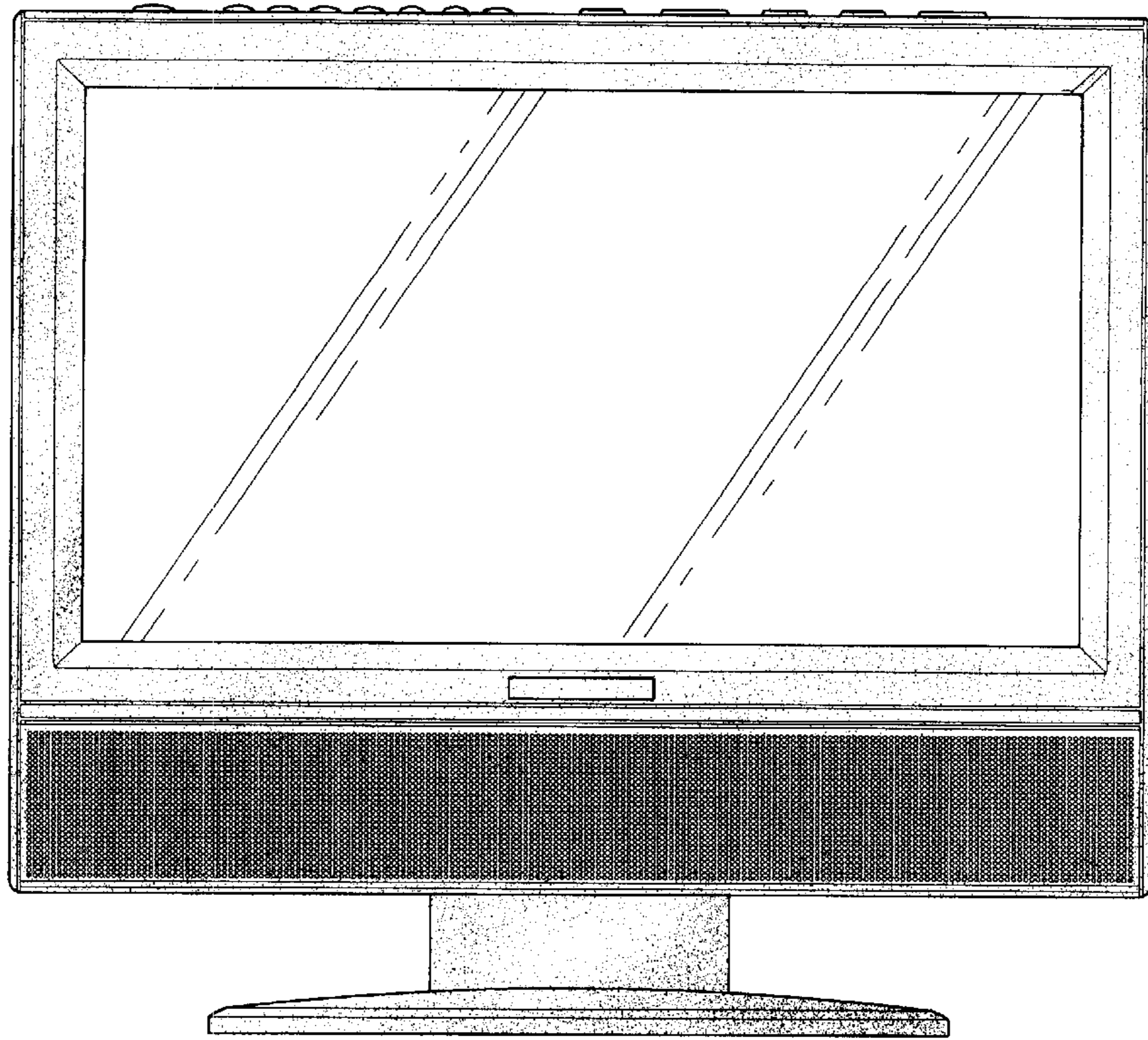


FIG. 2

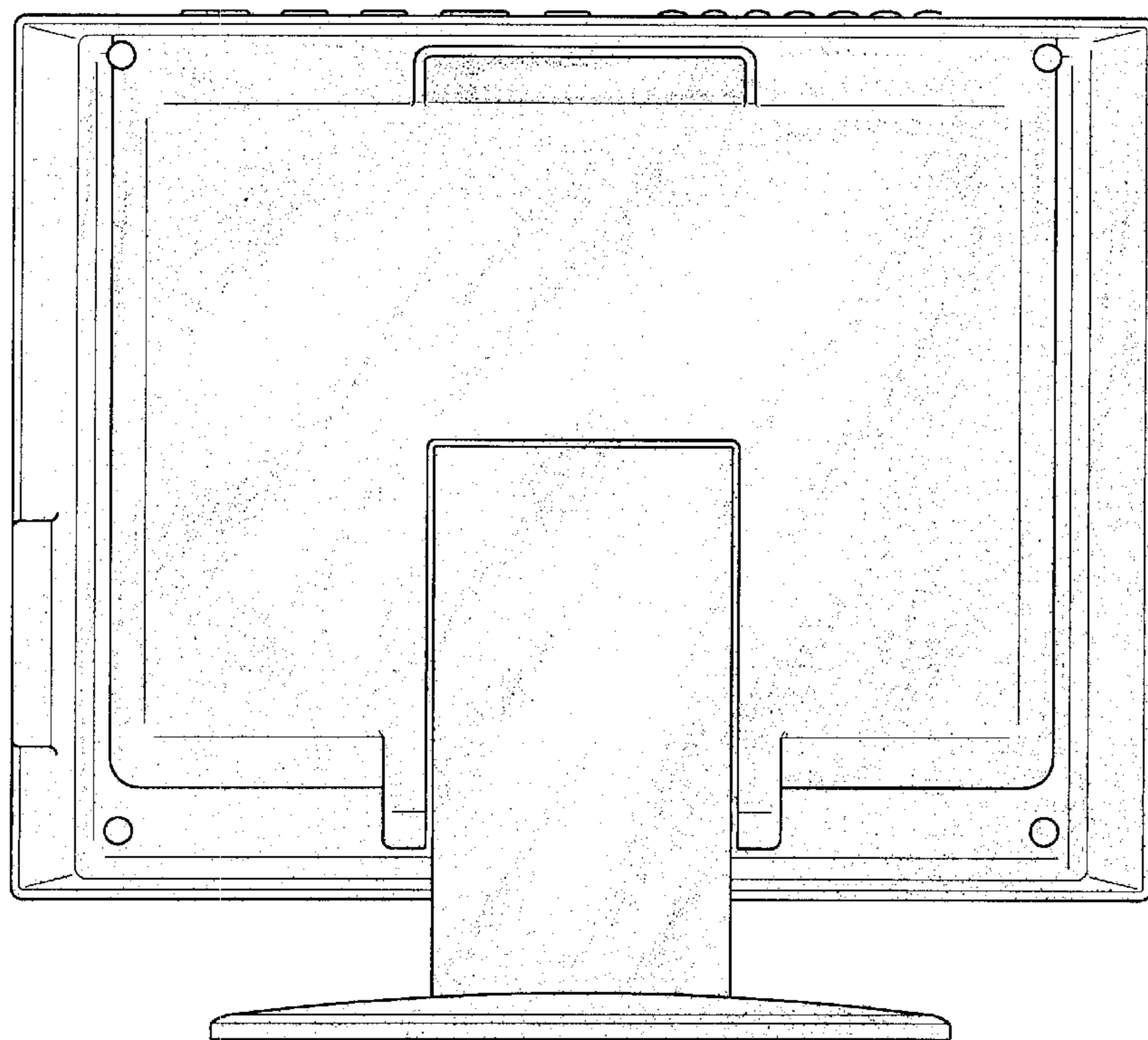


FIG. 3

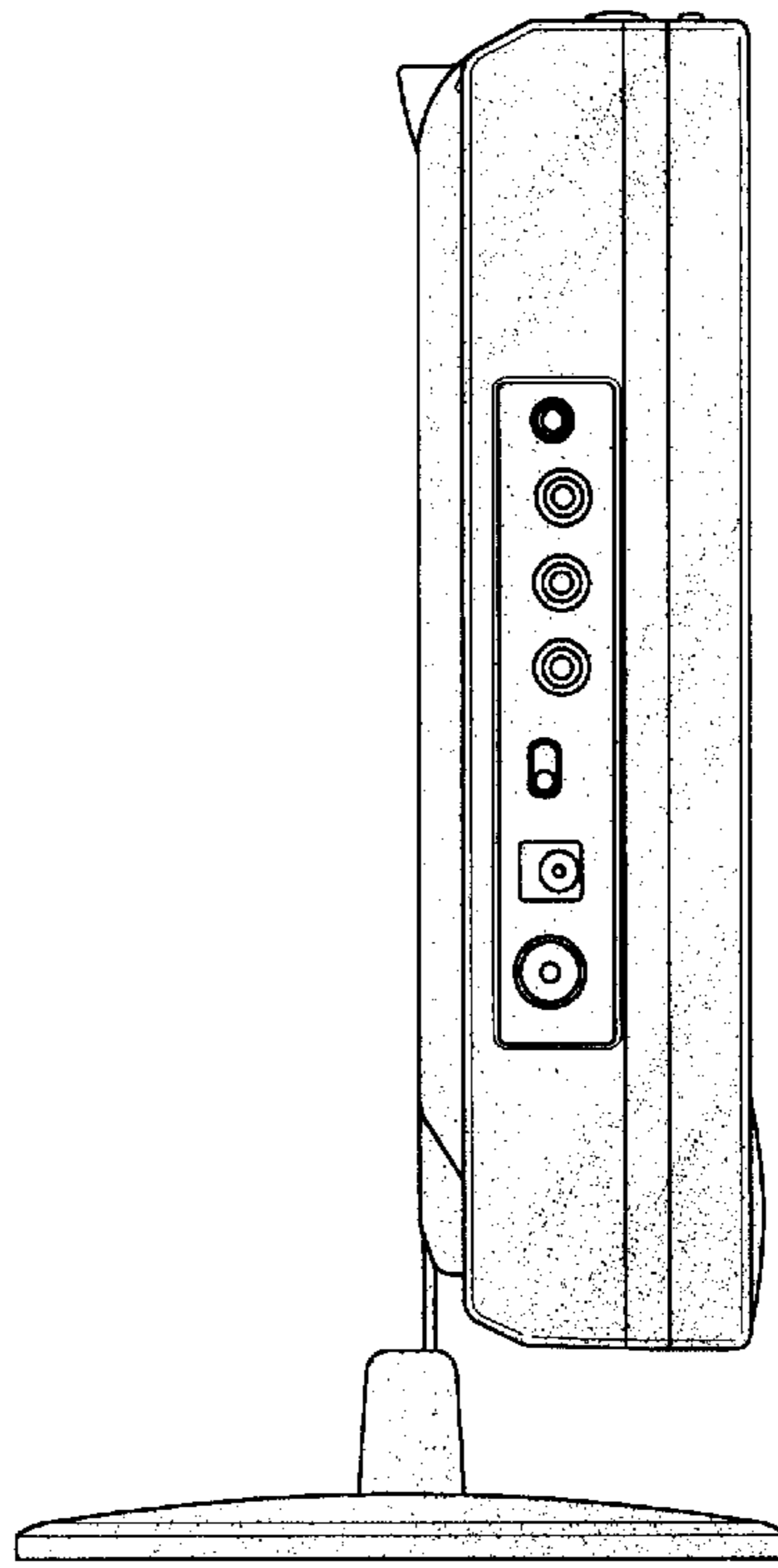


FIG. 4

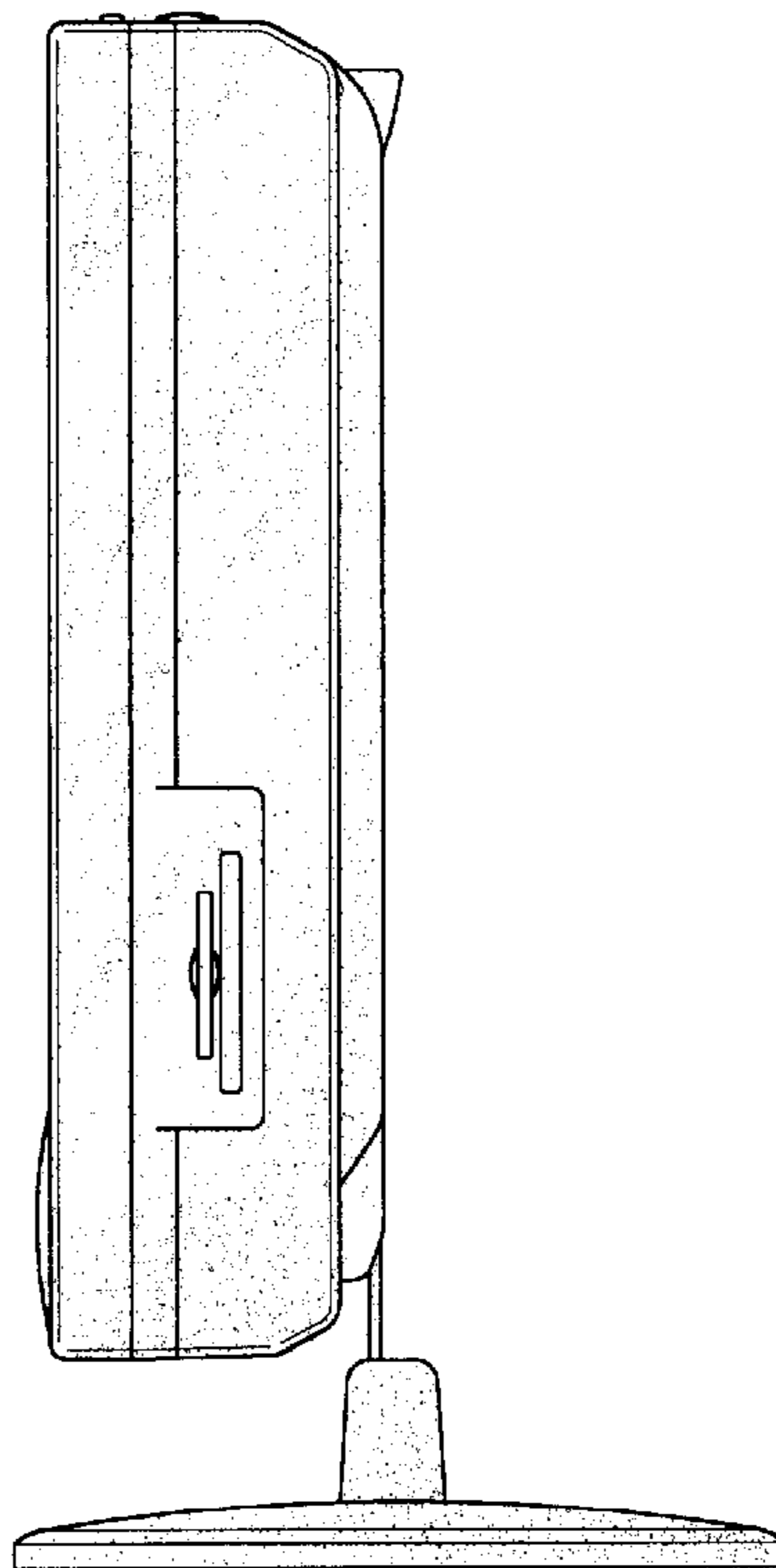


FIG. 5

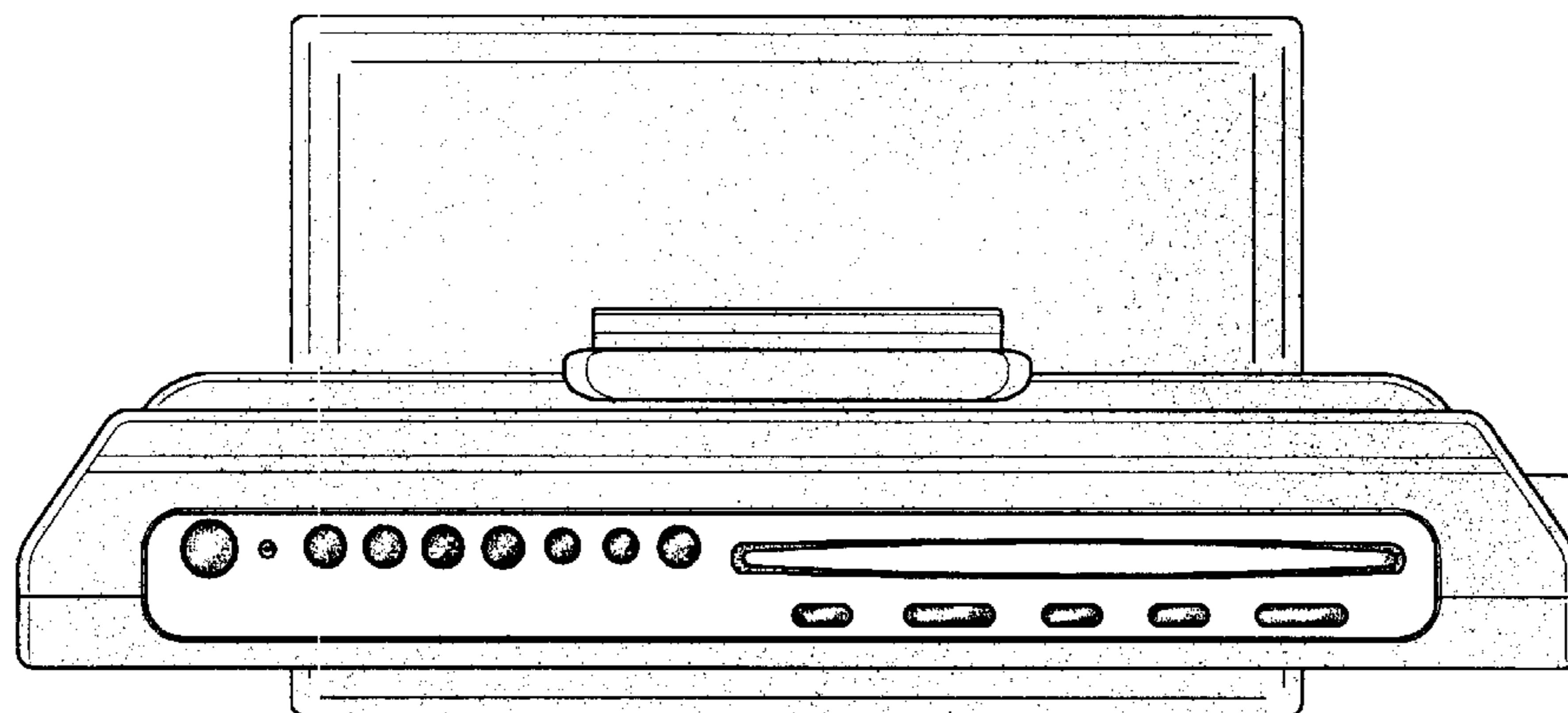


FIG. 6

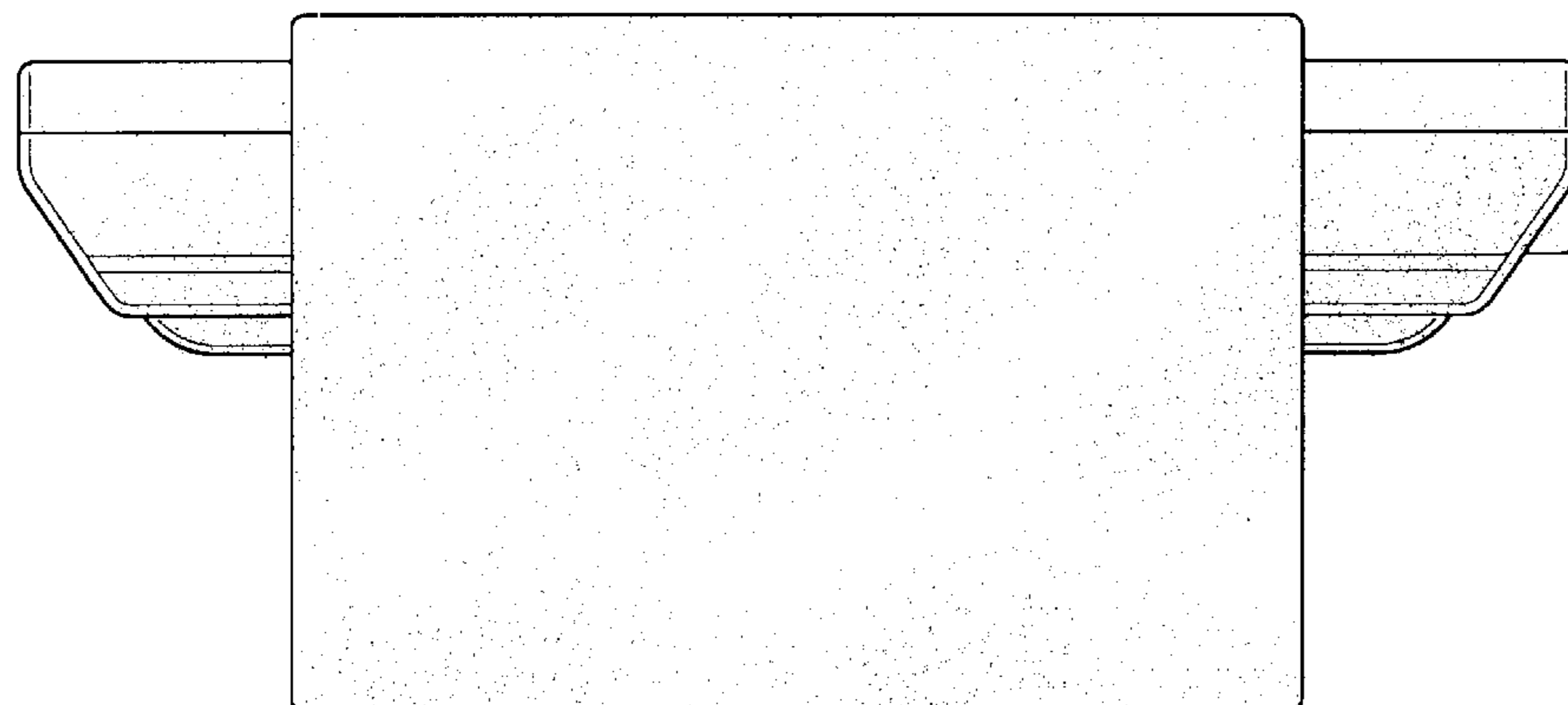


FIG. 7