



US00D534879S

(12) **United States Design Patent**
Imboden et al.

(10) **Patent No.:** **US D534,879 S**

(45) **Date of Patent:** **** Jan. 9, 2007**

(54) **DISPLAY**

(75) Inventors: **Ethan Imboden**, Sunnyvale, CA (US);
John Brock, Sunnyvale, CA (US)

(73) Assignee: **Hannspree Inc.**, Taipei (TW)

(**) Term: **14 Years**

(21) Appl. No.: **29/215,238**

(22) Filed: **Oct. 15, 2004**

(51) **LOC (8) Cl.** **14-03**

(52) **U.S. Cl.** **D14/126**

(58) **Field of Classification Search** D14/125-135,
D14/239, 379, 371, 374, 375, 376, 113; D13/151,
D13/153; 312/7.2; 348/836, 838, 180, 184,
348/325, 739; 341/12; 248/917-924; 345/104,
345/133, 156, 168, 87, 173; 349/1, 2, 11,
349/62

See application file for complete search history.

(56) **References Cited**

U.S. PATENT DOCUMENTS

D412,892 S	*	8/1999	Lee	D14/126
D432,101 S	*	10/2000	Oba	D14/126
D439,224 S	*	3/2001	Kita	D14/126
D439,225 S	*	3/2001	Kita	D14/126

D453,748 S	*	2/2002	Kita	D14/134
D456,370 S	*	4/2002	Kita	D14/126
D476,632 S	*	7/2003	Inoue et al.	D14/126
D486,131 S	*	2/2004	Otsuka	D14/126
D489,341 S	*	5/2004	Liu et al.	D14/126
D525,954 S	*	8/2006	Williams	D14/126

* cited by examiner

Primary Examiner—Raphael Barkai

Assistant Examiner—Randall H. Gholson

(74) *Attorney, Agent, or Firm*—Thomas, Kayden,
Horstemeyer & Risley

(57) **CLAIM**

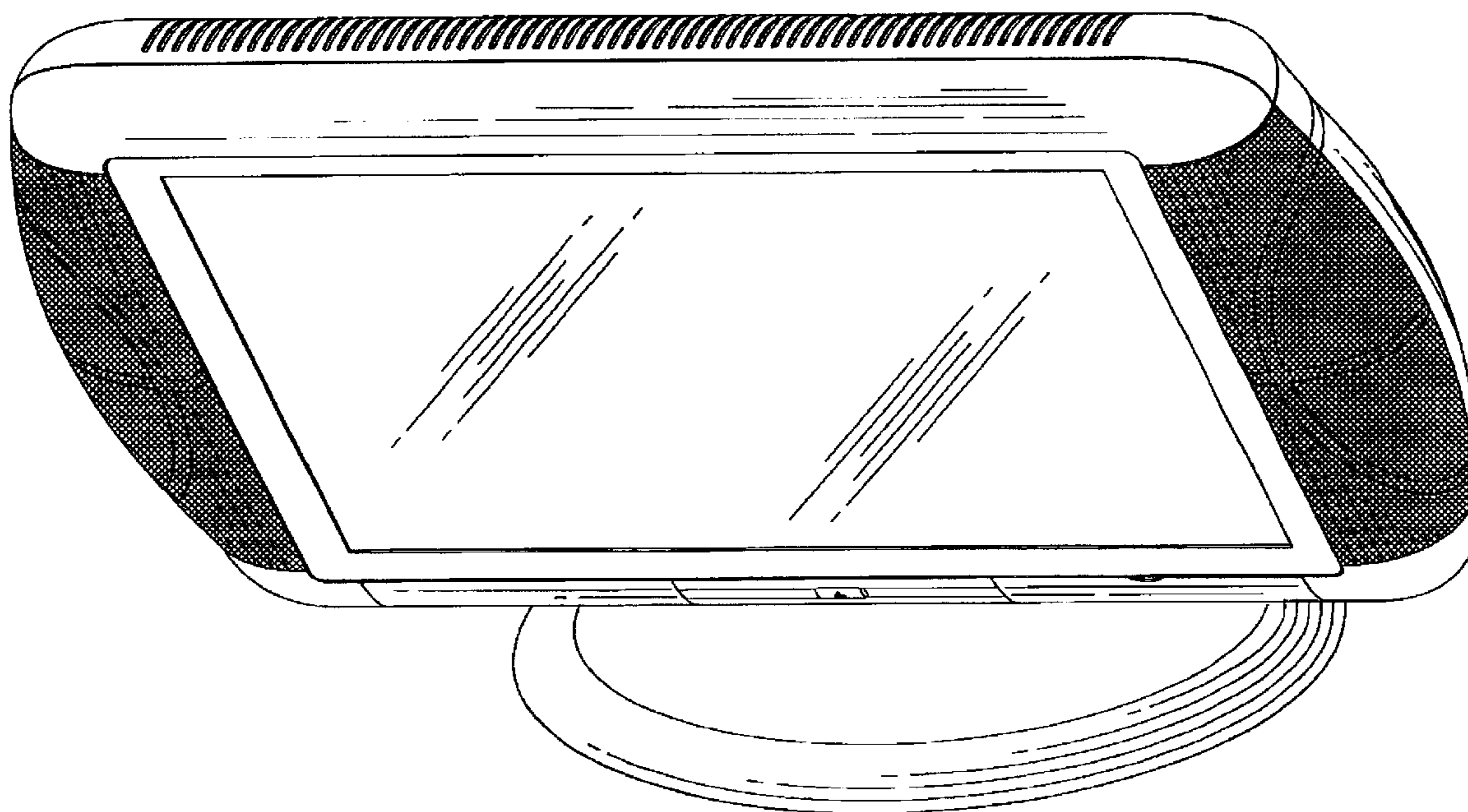
The ornamental design for a display, as shown and described.

DESCRIPTION

FIG. 1 is a front perspective view thereof;
FIG. 2 is a front elevational view thereof;
FIG. 3 is a rear elevational view thereof;
FIG. 4 is a left side elevational view thereof;
FIG. 5 is a right side elevational view thereof;
FIG. 6 is a top plane view thereof; and,
FIG. 7 is a bottom plane view thereof.

The broken lines shown on the drawings is for illustrative purposes only and forms no part of the claimed design.

1 Claim, 6 Drawing Sheets



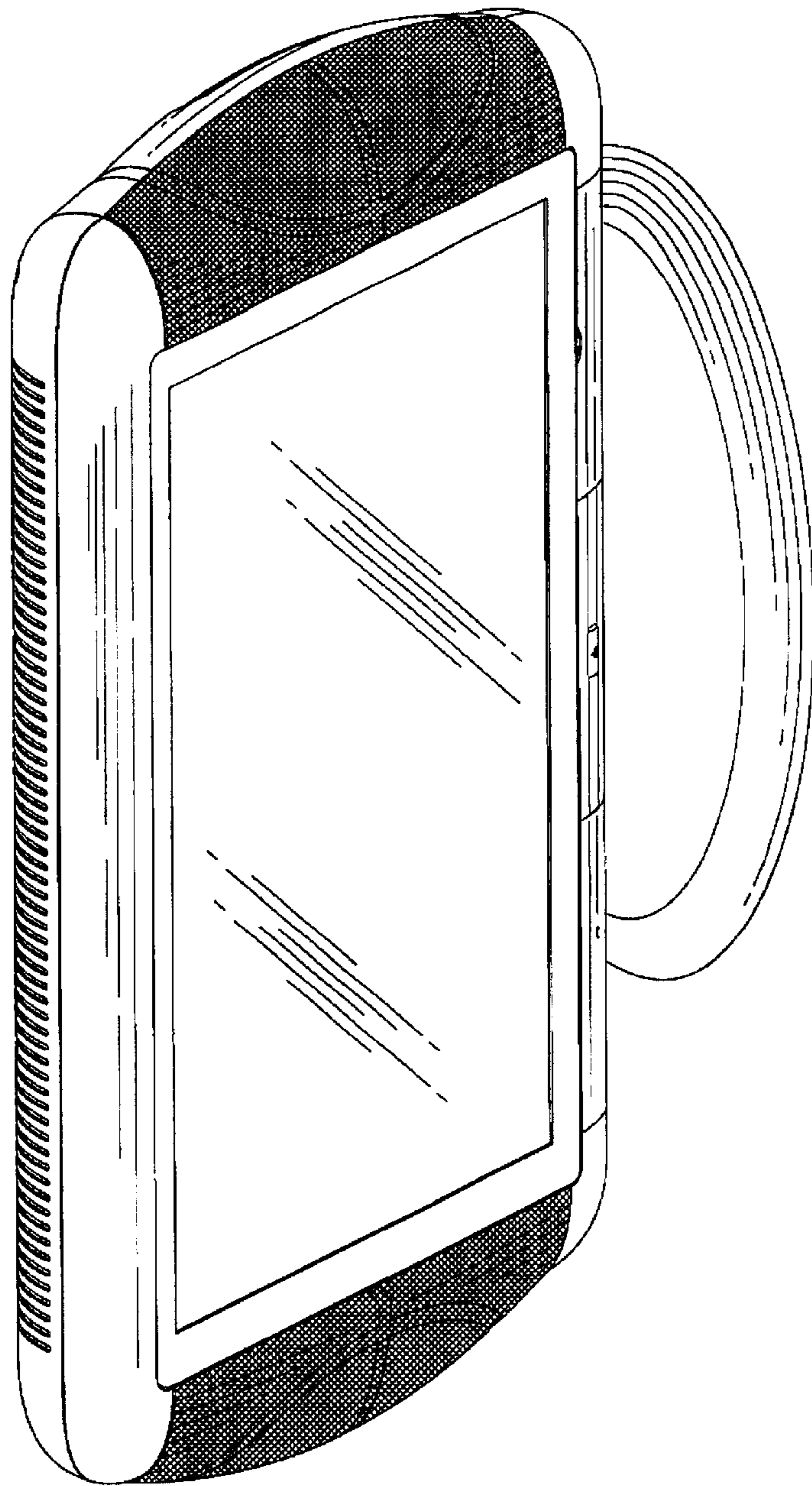


FIG. 1

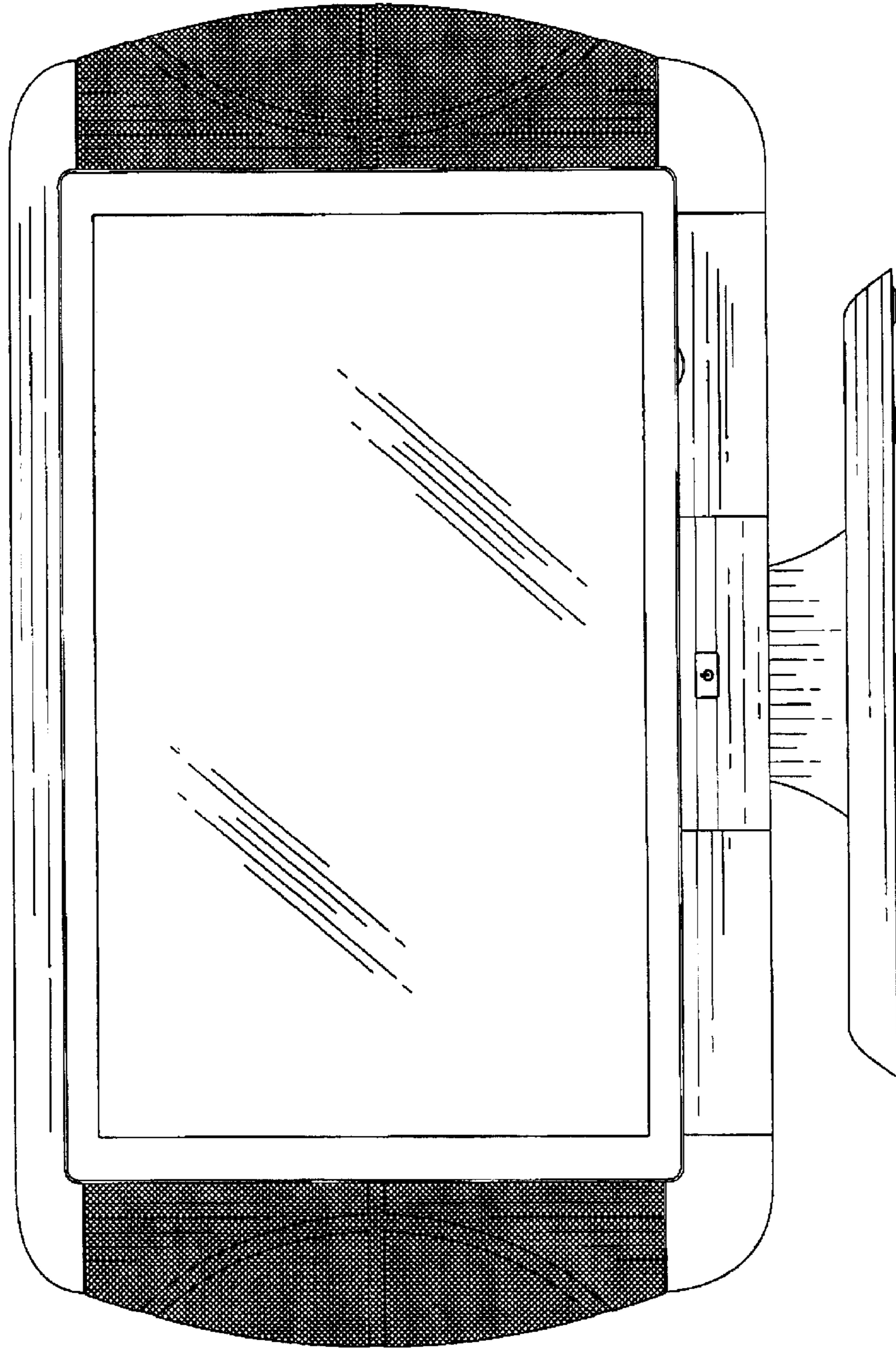


FIG. 2

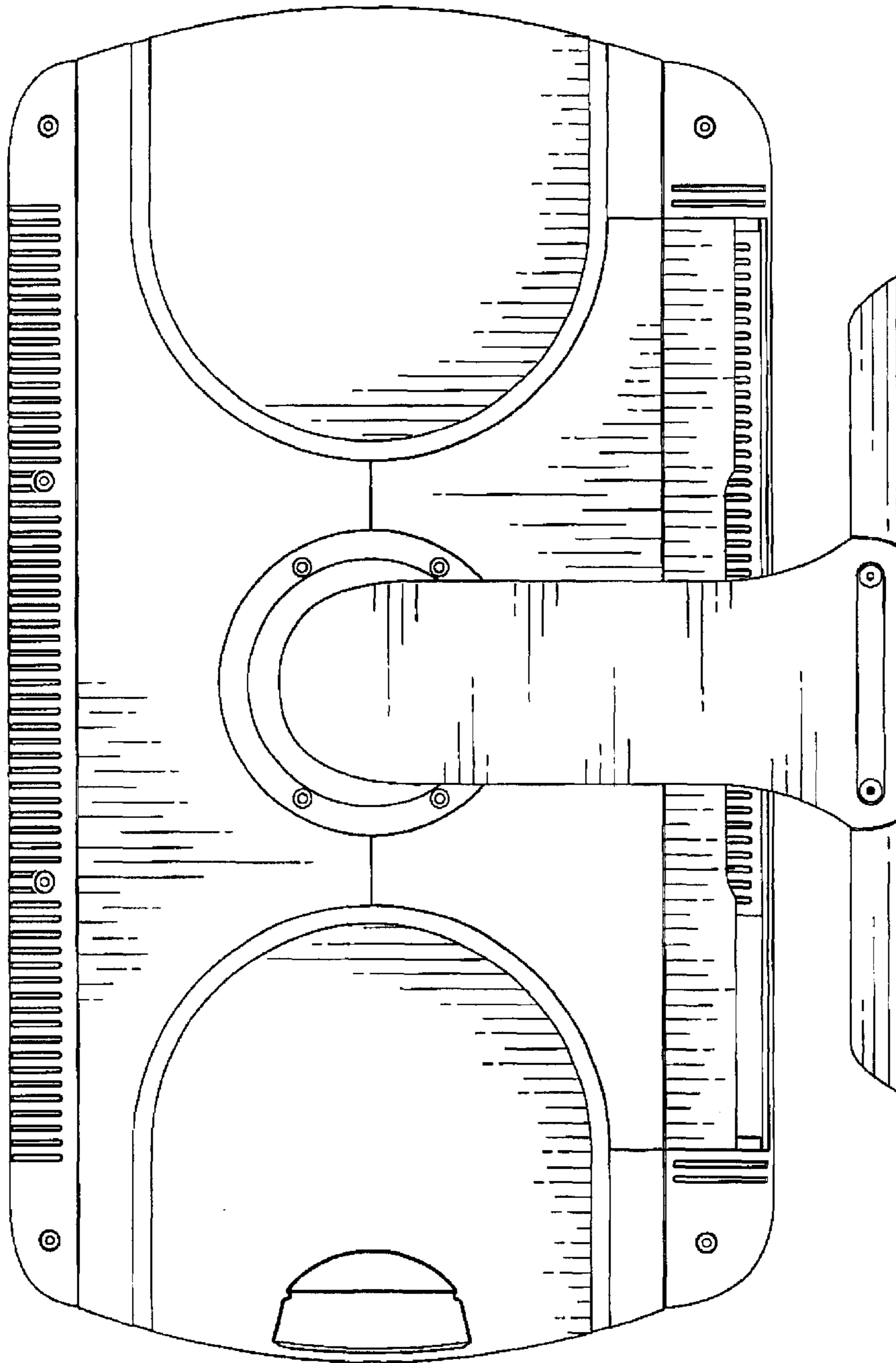


FIG. 3

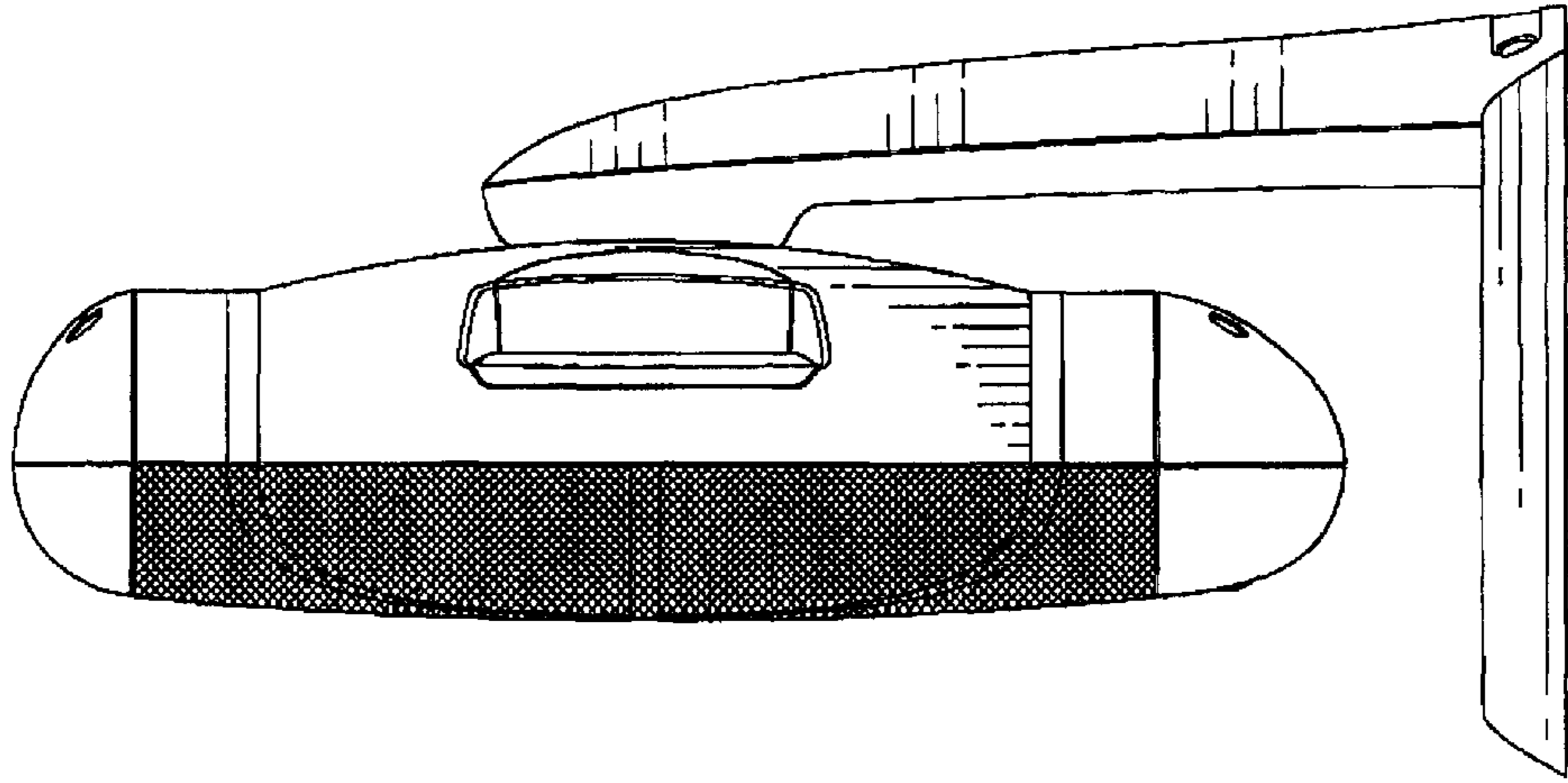


FIG. 5

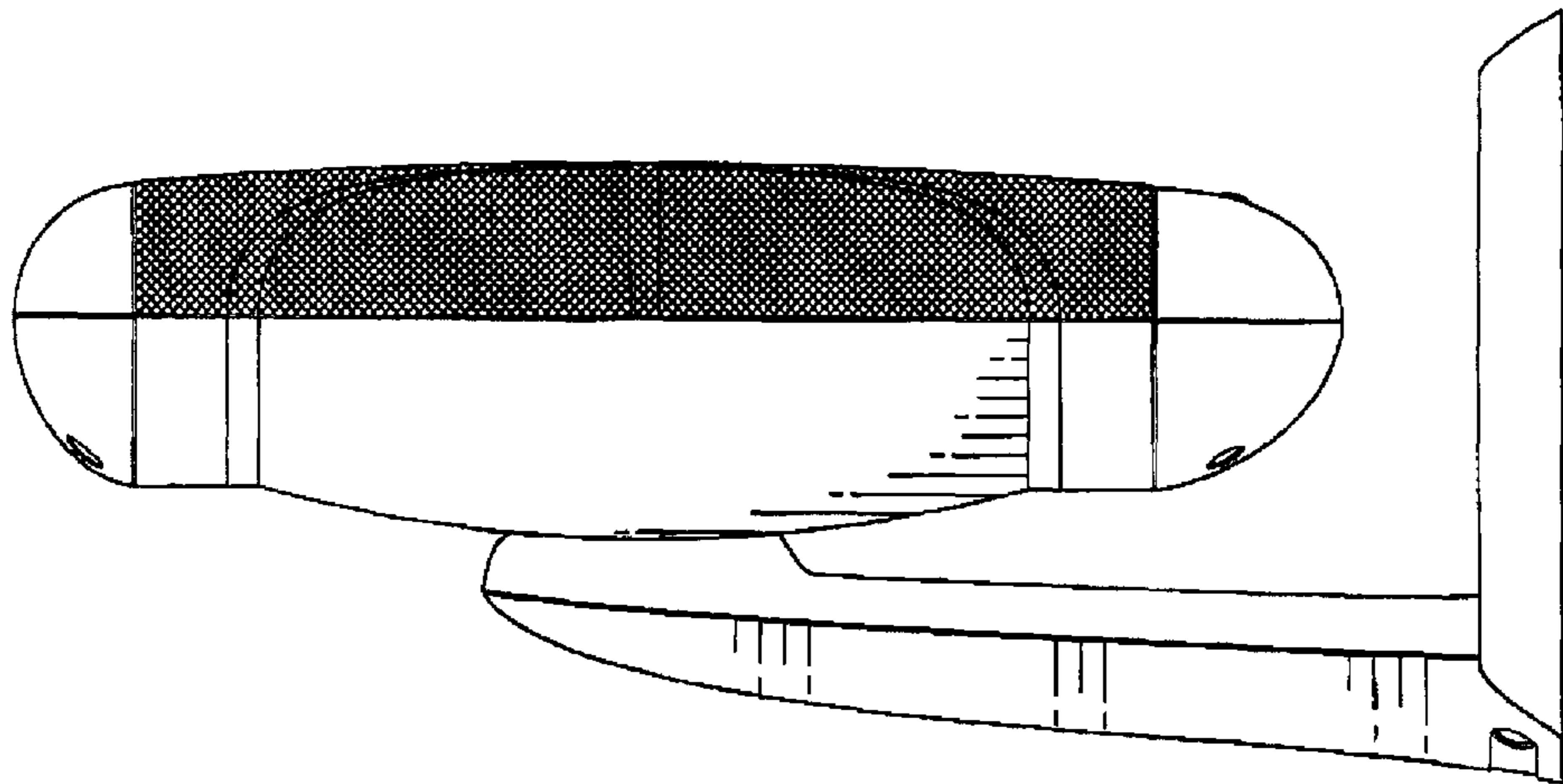


FIG. 4

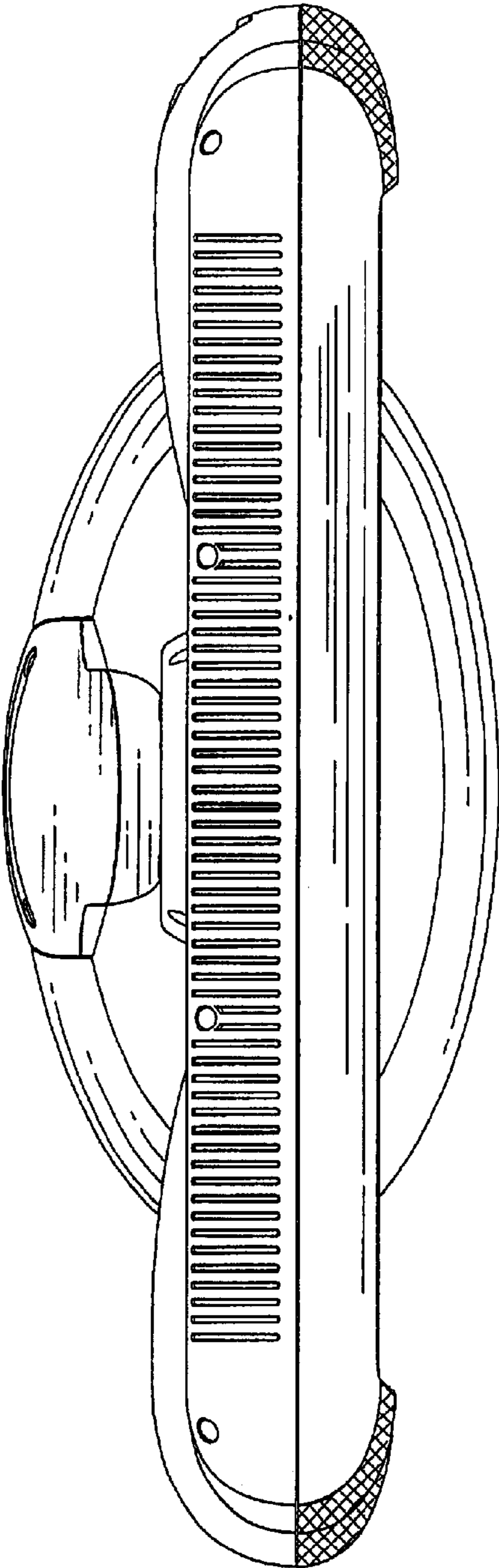


FIG. 6

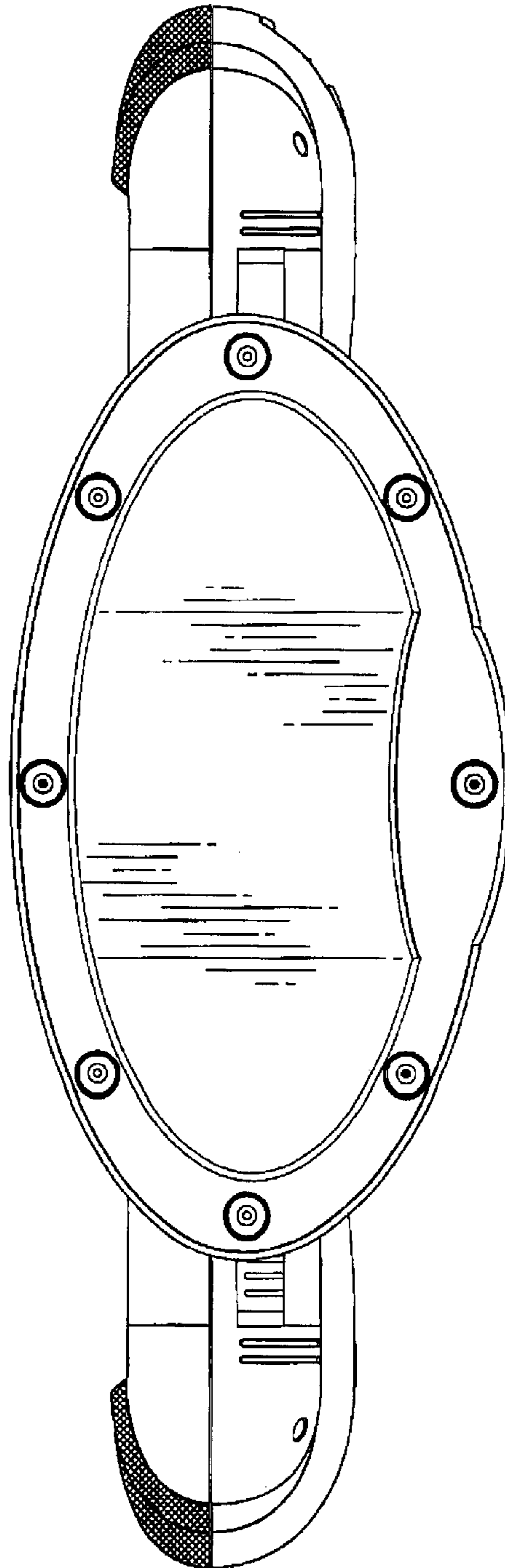


FIG. 7