



US00D534877S

(12) **United States Design Patent** (10) **Patent No.:** **US D534,877 S**
Kamada (45) **Date of Patent:** **** Jan. 9, 2007**

(54) **LIGHT EMITTING DIODE**

(56) **References Cited**

(75) Inventor: **Kazuhiro Kamada**, Anan (JP)
 (73) Assignee: **Nichia Corporation**, Toskushima-ken (JP)
 (**) Term: **14 Years**
 (21) Appl. No.: **29/259,181**
 (22) Filed: **May 3, 2006**

U.S. PATENT DOCUMENTS

6,061,160	A	*	5/2000	Maruyama	398/201
D439,351	S	*	3/2001	Kiba et al.	D26/37
6,274,890	B1	*	8/2001	Oshio et al.	257/98
6,476,549	B1	*	11/2002	Yu	313/499
D477,580	S	*	7/2003	Kamada	D13/182
6,610,563	B1	*	8/2003	Waitl et al.	438/166
D488,137	S	*	4/2004	Kamada	D13/182
D509,489	S	*	9/2005	Kamada	D13/180
D523,826	S	*	6/2006	Kamada	D13/180

Related U.S. Application Data

(62) Division of application No. 29/232,454, filed on Jun. 20, 2005, now Pat. No. Des. 523,826, which is a division of application No. 29/221,929, filed on Jan. 24, 2005, now Pat. No. Des. 509,489, which is a division of application No. 29/192,569, filed on Oct. 27, 2003, now Pat. No. Des. 503,690.

(30) **Foreign Application Priority Data**

Apr. 25, 2003	(JP)	2003-011756
Apr. 25, 2003	(JP)	2003-011757
Apr. 25, 2003	(JP)	2003-011758
Apr. 25, 2003	(JP)	2003-011759
Apr. 25, 2003	(JP)	2003-011760
Apr. 25, 2003	(JP)	2003-011761

(51) **LOC (8) Cl.** **13-03**
 (52) **U.S. Cl.** **D13/180**
 (58) **Field of Classification Search** D13/180;
 D26/2; 257/79, 80, 81, 82, 88, 89, 95, 98,
 257/99, 100, 678, 680, 433, 434, 666; 313/483,
 313/498, 500; 361/820; 362/235, 249, 555,
 362/800; 372/45.01

See application file for complete search history.

* cited by examiner

Primary Examiner—Selina Sikder
 (74) *Attorney, Agent, or Firm*—Osha Liang LLP

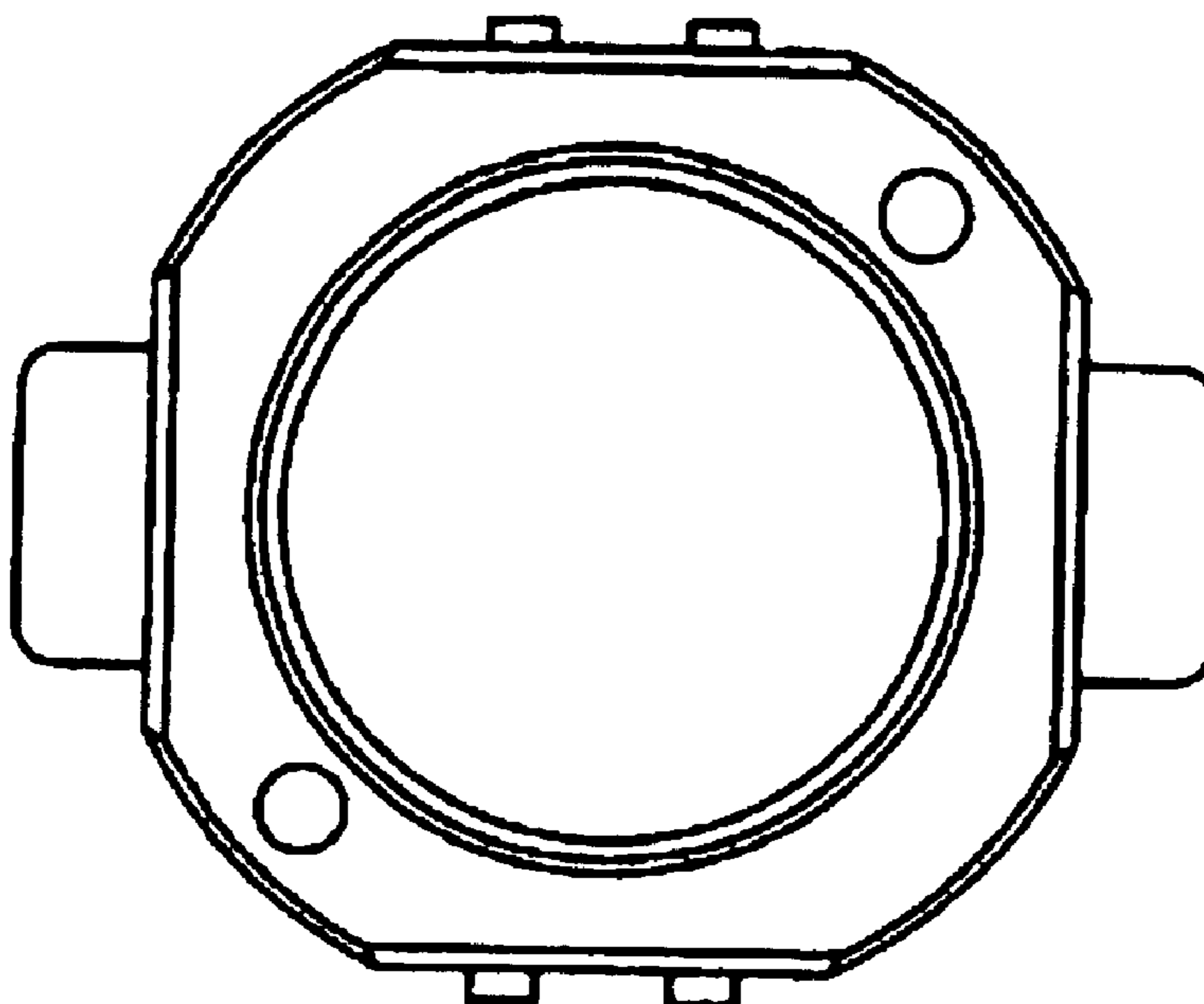
(57) **CLAIM**

The ornamental design for a light-emitting diode, as shown and described.

DESCRIPTION

FIG. 1 shows a bottom view of a light emitting diode according to my new design.
 FIG. 2 shows a right side view of the design, the left side view being a mirror image thereof; and,
 FIG. 3 shows a front view of the design, indicating a top translucent portion, the back view being a mirror image thereof.

1 Claim, 3 Drawing Sheets



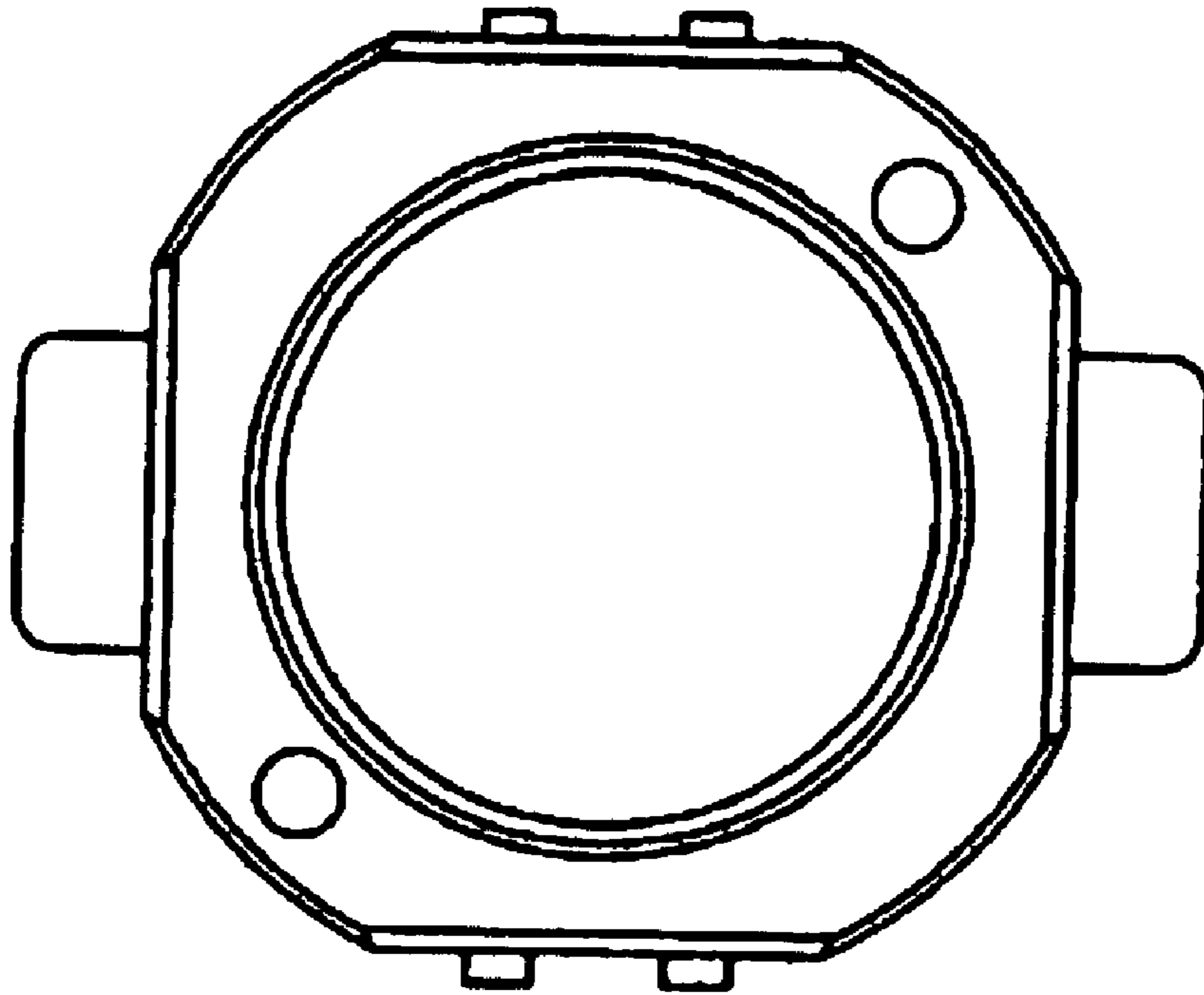


FIG. 1

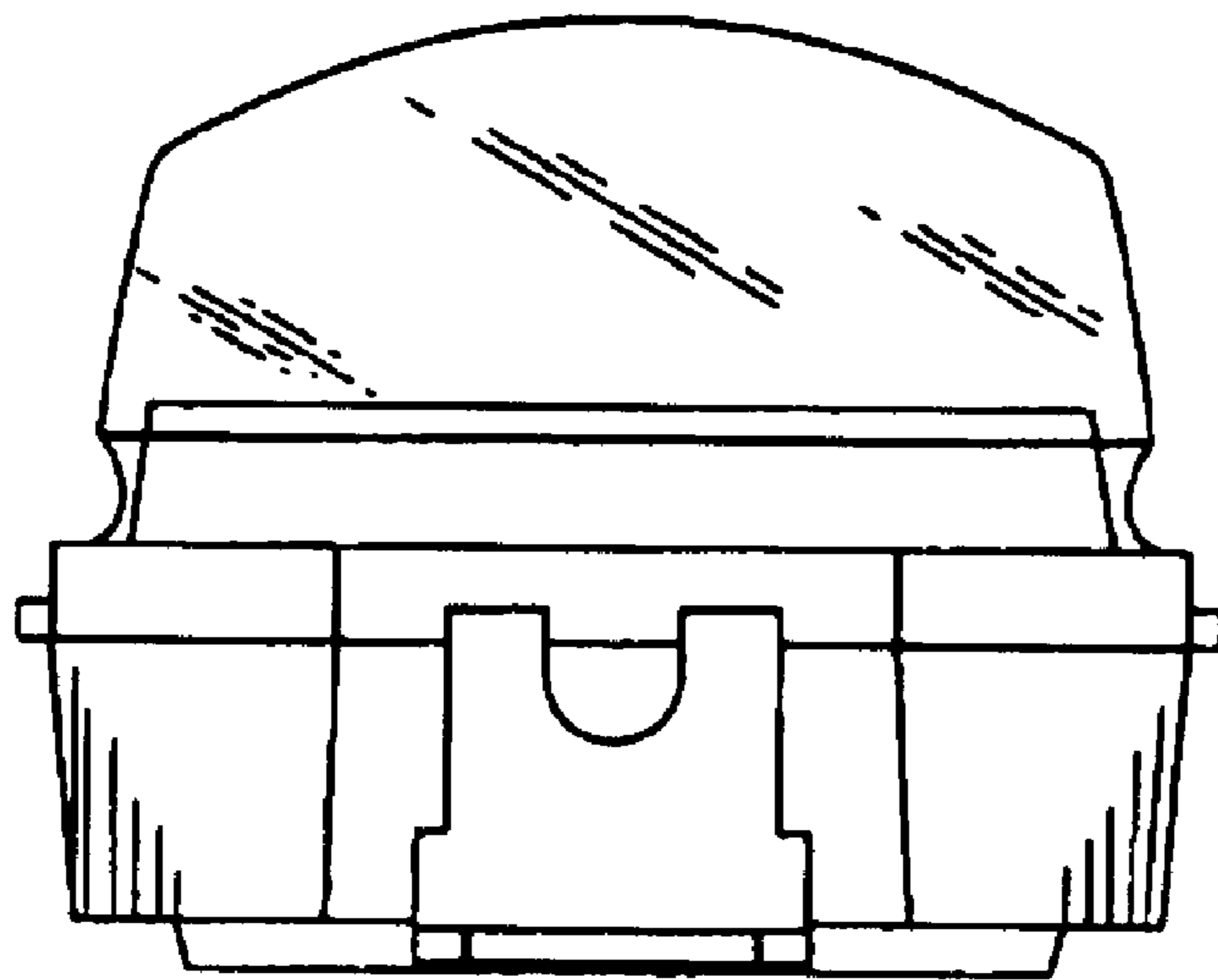


FIG. 2

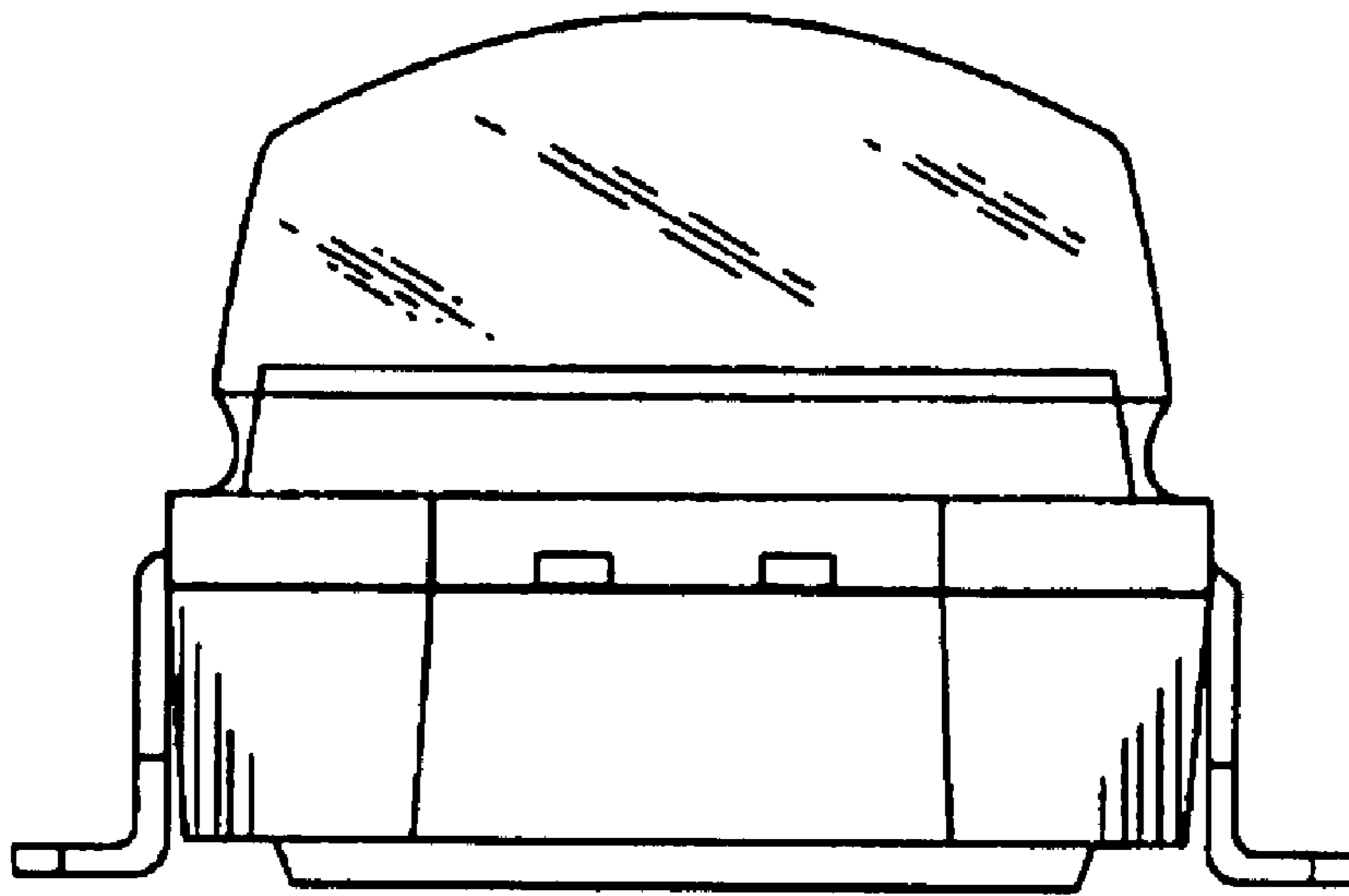


FIG. 3