



US00D534869S

(12) **United States Design Patent**  
**Stekelenburg**

(10) **Patent No.:** **US D534,869 S**

(45) **Date of Patent:** **\*\* Jan. 9, 2007**

(54) **POWER STRIP HOUSING**

(76) Inventor: **Albert Stekelenburg**, 9<sup>th</sup> Fl., 102  
Kuang-Fu S.Rd., Taipei (TW)

(\*\*) Term: **14 Years**

(21) Appl. No.: **29/251,599**

(22) Filed: **Jan. 11, 2006**

(51) **LOC (8) Cl.** ..... **13-03**

(52) **U.S. Cl.** ..... **D13/139.1; D13/139.5**

(58) **Field of Classification Search** ..... D13/139.1,  
D13/139.4, 139.5, 139.6, 139.8; 174/37-39;  
361/622, 641

See application file for complete search history.

(56) **References Cited**

**U.S. PATENT DOCUMENTS**

D87,277 S	*	6/1932	Muldoon	.....	D13/134
2,811,574 A	*	10/1957	Guerrero	.....	174/57
D237,718 S	*	11/1975	Bozich	.....	D13/139.5
D244,465 S	*	5/1977	Stoneman	.....	D13/139.4
D272,655 S	*	2/1984	Smith	.....	D26/51
D355,890 S	*	2/1995	Lentz	.....	D13/139.4
D367,464 S	*	2/1996	Jones et al.	.....	D13/139.5

D371,111 S	*	6/1996	Jones et al.	.....	D13/139.5
D389,459 S	*	1/1998	Byrne	.....	D13/139.5
D434,001 S	*	11/2000	Sayger	.....	D13/139.5
D515,033 S	*	2/2006	Petrick et al.	.....	D13/139.4
7,004,786 B1	*	2/2006	Bloom et al.	.....	439/501
D517,011 S	*	3/2006	Burke	.....	D13/139.5

\* cited by examiner

*Primary Examiner*—Alan P. Douglas

*Assistant Examiner*—Rosemary K. Tarcza

(74) *Attorney, Agent, or Firm*—Troxell Law Office, PLLC

(57) **CLAIM**

The ornamental design for a power strip housing, as shown and described.

**DESCRIPTION**

FIG. 1 is a top view of a power strip housing showing my new design;

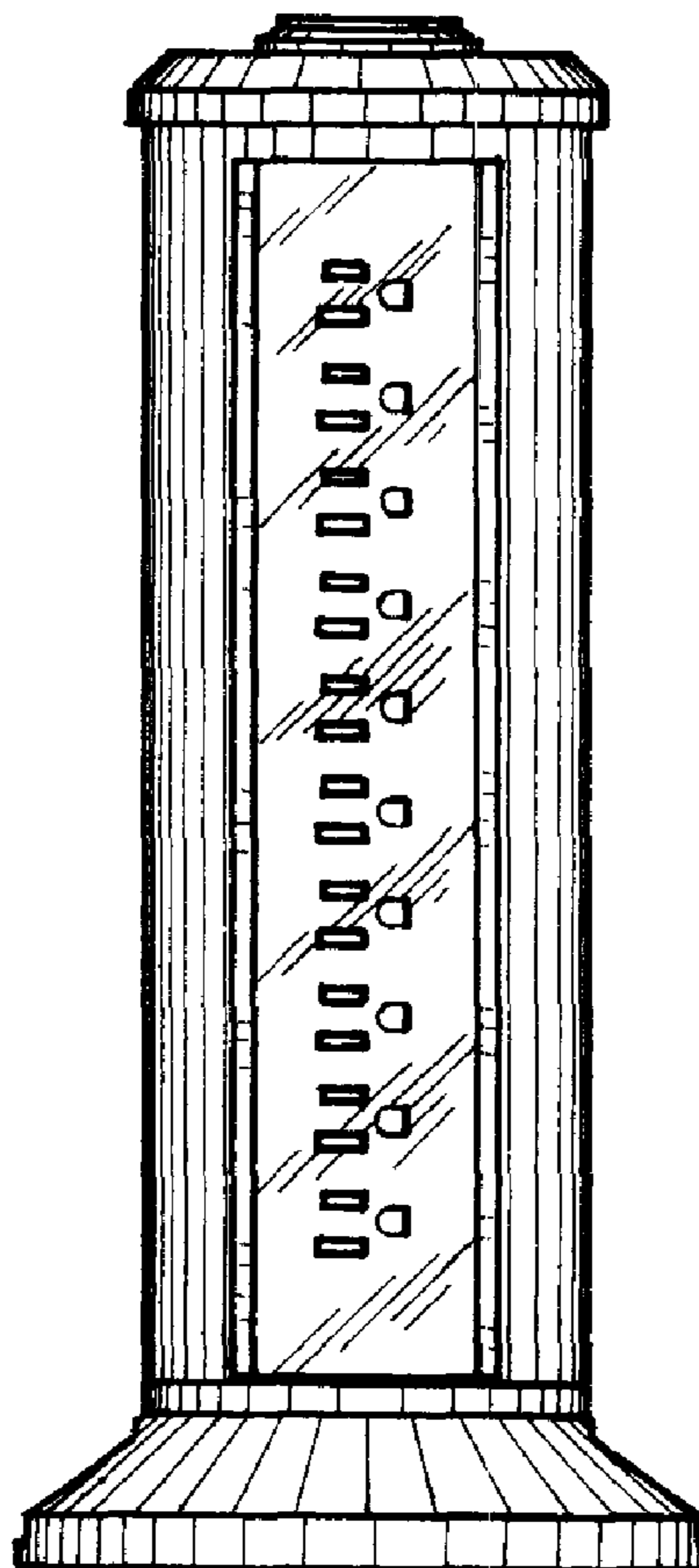
FIG. 2 is a front view thereof;

FIG. 3 is a right side elevational view thereof; (left side elevational view is symmetrical as right side elevational view);

FIG. 4 is a rear view thereof; and,

FIG. 5 is a bottom view thereof.

**1 Claim, 1 Drawing Sheet**



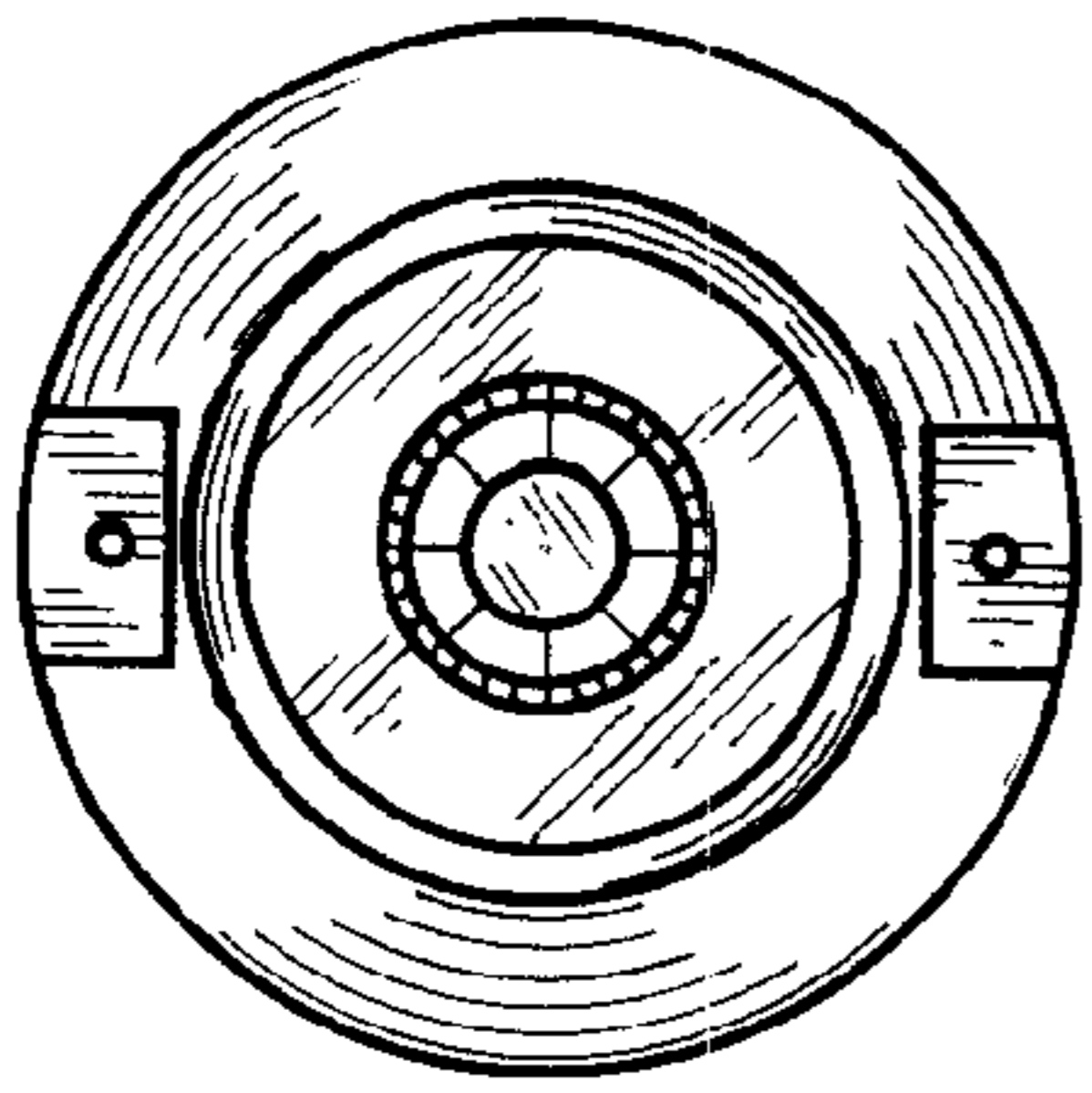


FIG. 1

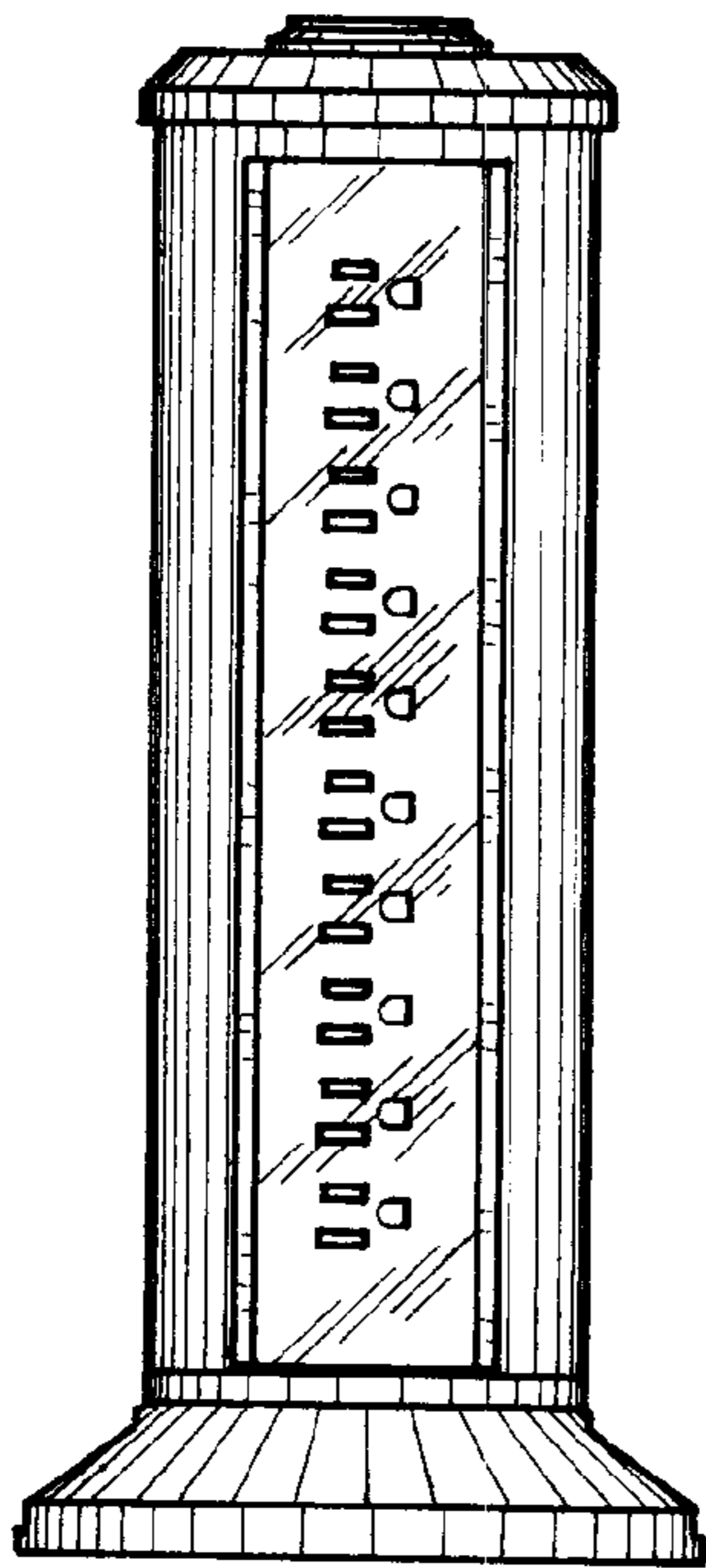


FIG. 2

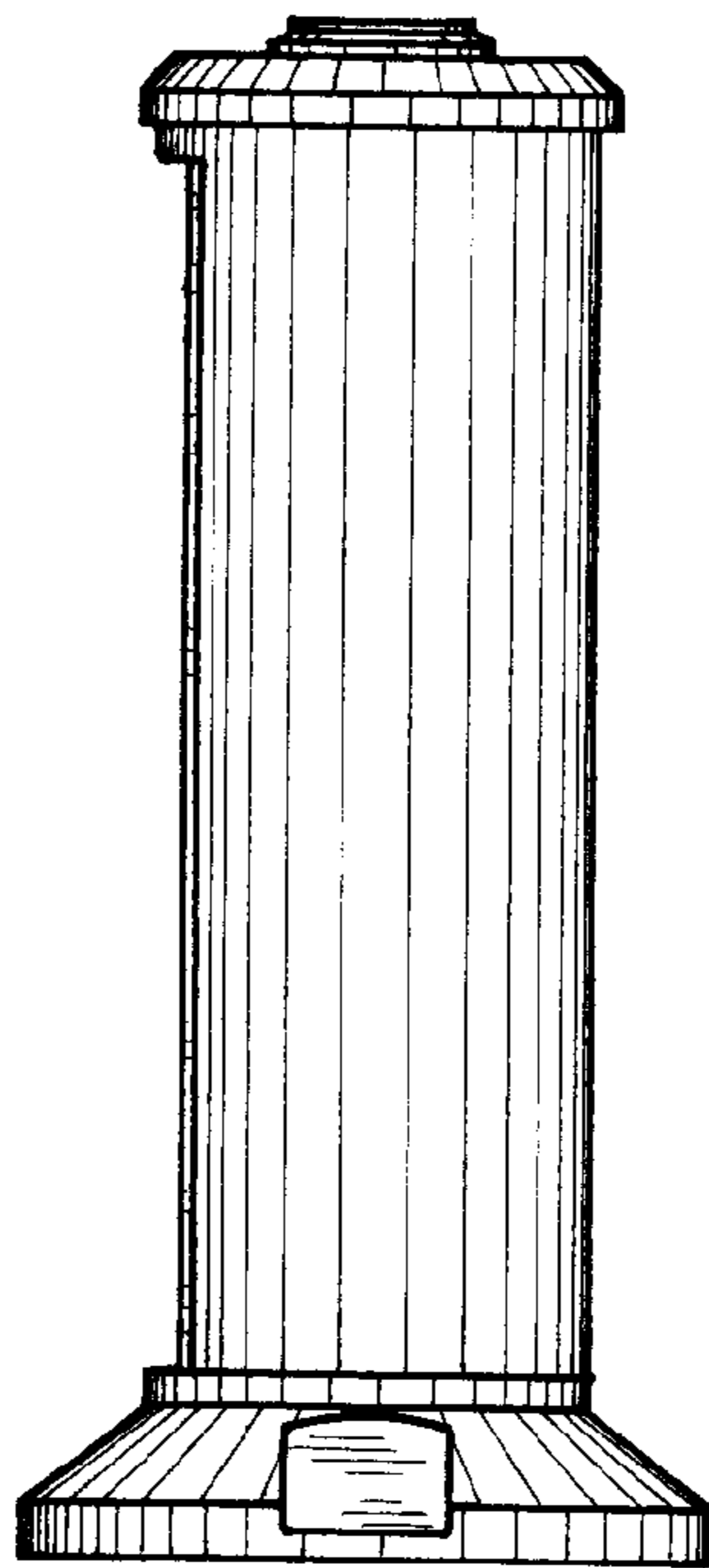


FIG. 3

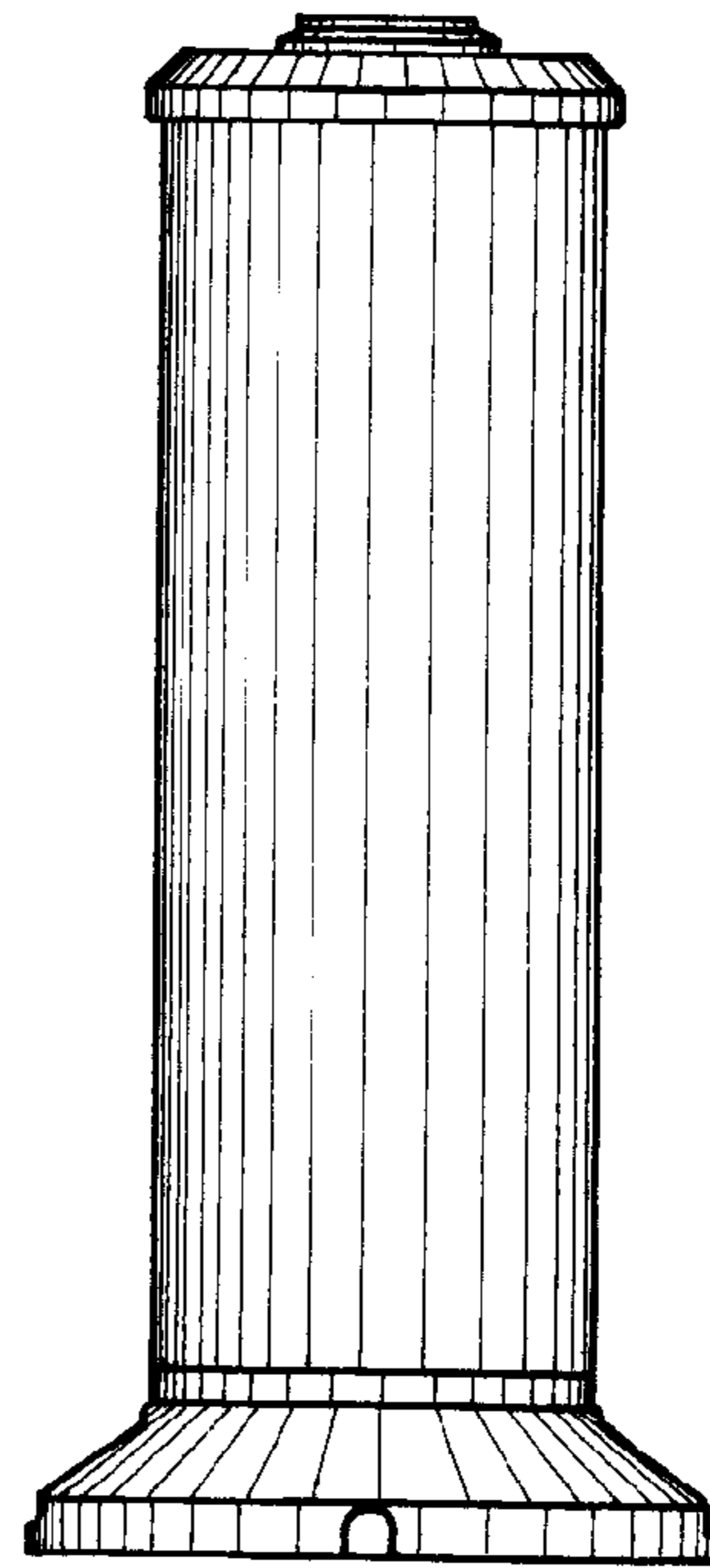


FIG. 4

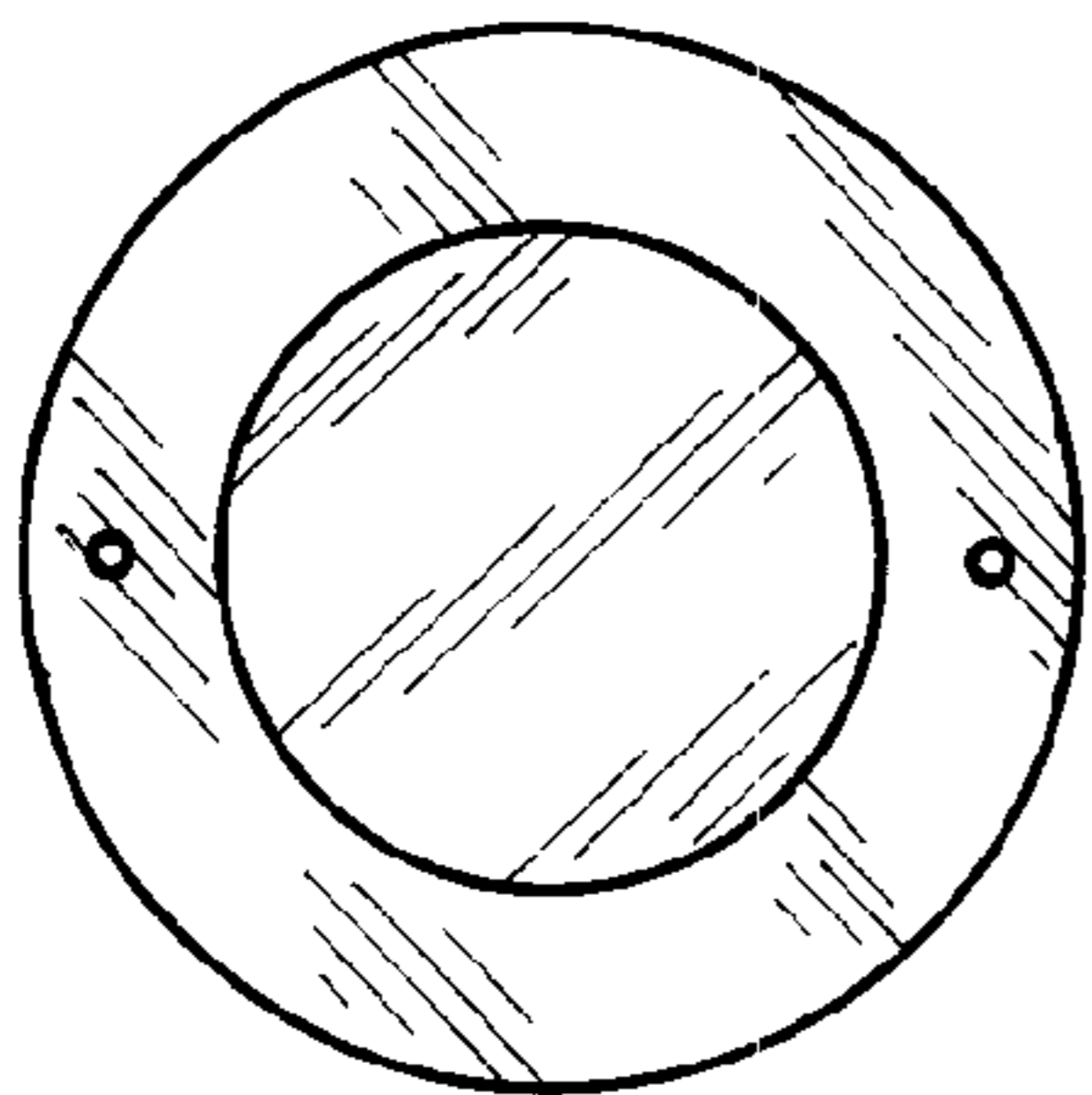


FIG. 5