



US00D534868S

(12) **United States Design Patent**  
**Lee**

(10) **Patent No.:** **US D534,868 S**  
(45) **Date of Patent:** **\*\* Jan. 9, 2007**

(54) **DC JACK CONNECTOR**

(75) Inventor: **Yun-Chen Lee, Tu-Cheng (TW)**

(73) Assignee: **Cheng Uei Precision Industry Co., Ltd., Taipei Hsien (TW)**

(\*\*) Term: **14 Years**

(21) Appl. No.: **29/253,524**

(22) Filed: **Feb. 8, 2006**

(51) **LOC (8) Cl.** ..... **13-03**

(52) **U.S. Cl.** ..... **D13/133**

(58) **Field of Classification Search** ..... D13/133,  
D13/154, 185, 199; 439/78-79, 83, 188,  
439/567, 607, 609, 668, 669, 748, 939  
See application file for complete search history.

(56) **References Cited**

**U.S. PATENT DOCUMENTS**

6,077,126 A \* 6/2000 Peng ..... 439/668  
D449,273 S \* 10/2001 Lin ..... D13/133  
6,312,274 B1 \* 11/2001 Lin ..... 439/188  
D451,472 S \* 12/2001 Suzuki ..... D13/133

D461,770 S \* 8/2002 Ma et al. .... D13/133  
D470,107 S \* 2/2003 Li et al. .... D13/133  
D507,236 S \* 7/2005 Han et al. .... D13/133  
6,923,687 B1 \* 8/2005 Wang ..... 439/668  
2005/0009407 A1 \* 1/2005 Wang ..... 439/668  
2006/0063409 A1 \* 3/2006 Wang ..... 439/188

\* cited by examiner

*Primary Examiner*—Prabhakar Deshmukh

*Assistant Examiner*—Daniel Bui

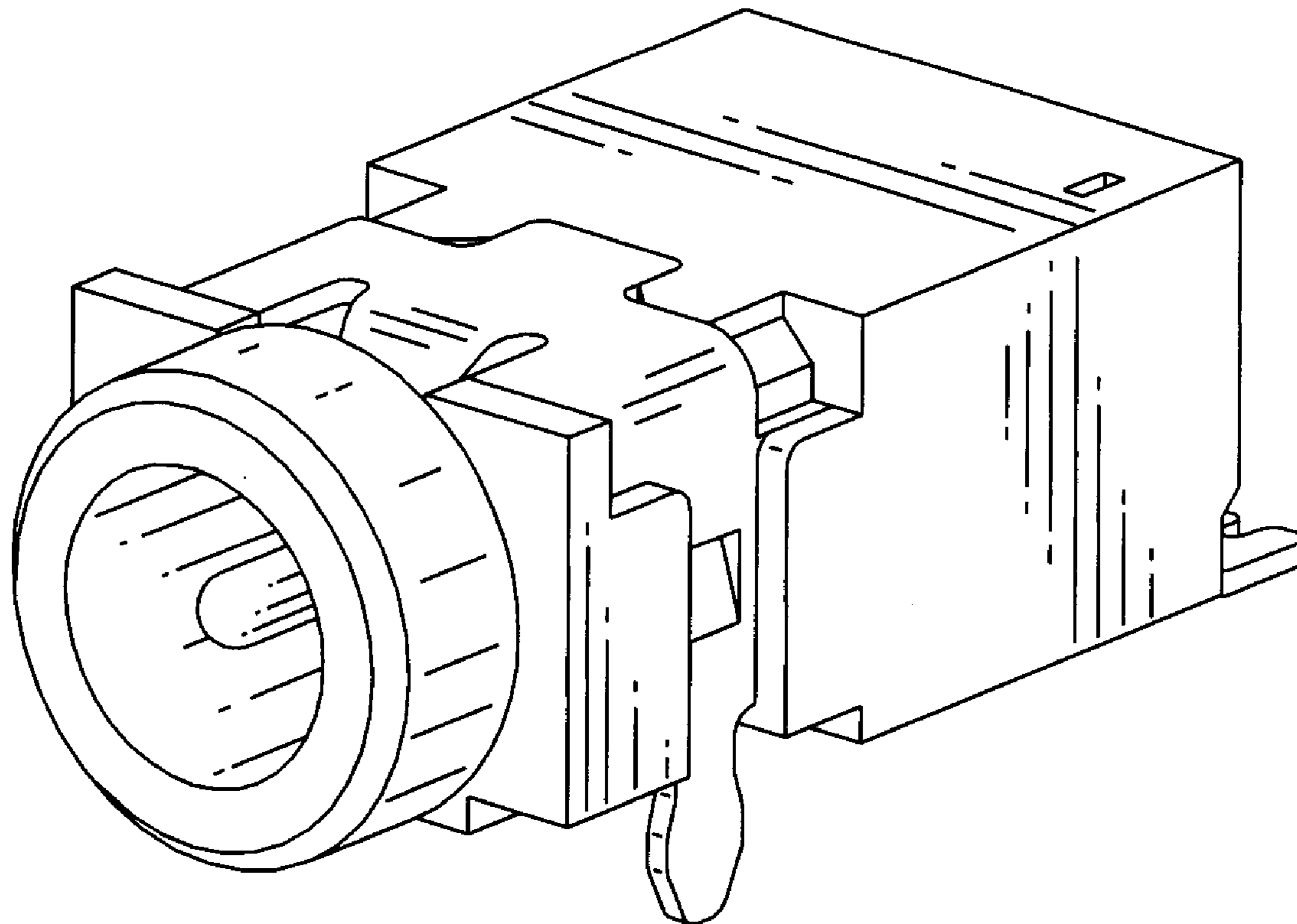
(57) **CLAIM**

The ornamental design for a DC jack connector, as shown and described.

**DESCRIPTION**

FIG. 1 is a perspective view of a DC jack connector showing my new design;  
FIG. 2 is a front elevational view thereof;  
FIG. 3 is a rear elevational view thereof;  
FIG. 4 is a left side elevational view thereof;  
FIG. 5 is a right side elevational view thereof;  
FIG. 6 is a top plan view thereof; and,  
FIG. 7 is a bottom plan view thereof.

**1 Claim, 7 Drawing Sheets**



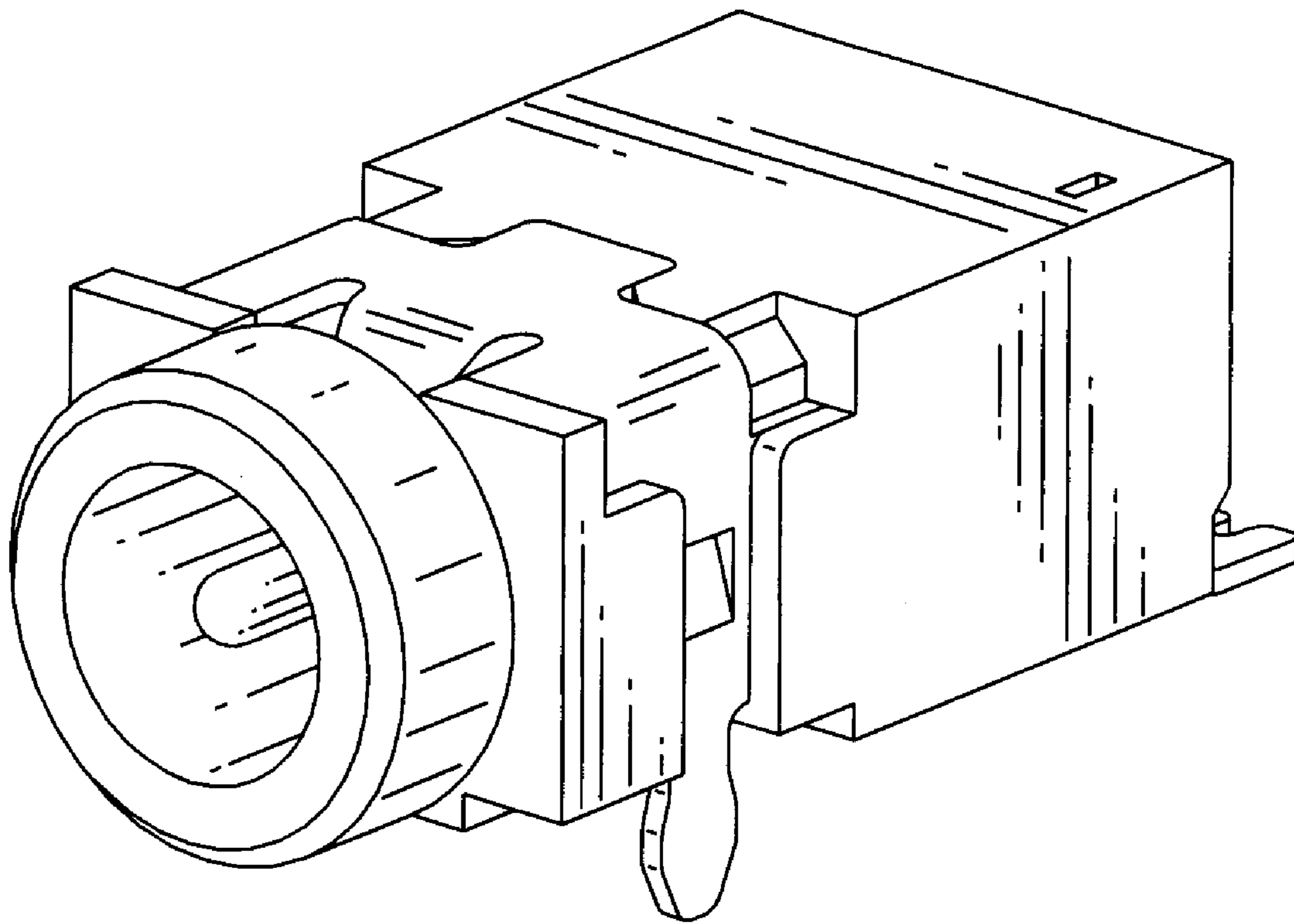


FIG. 1

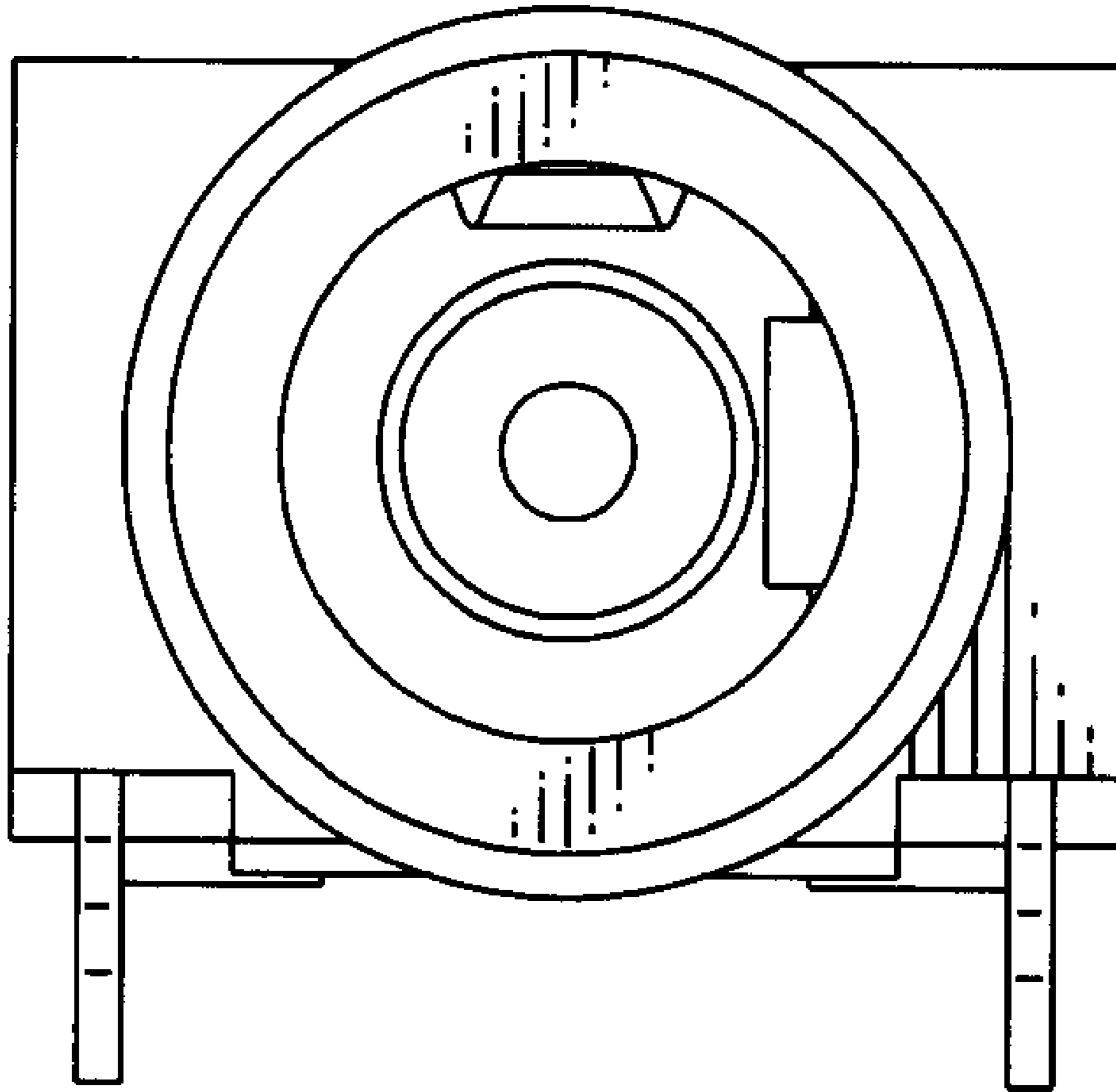


FIG. 2

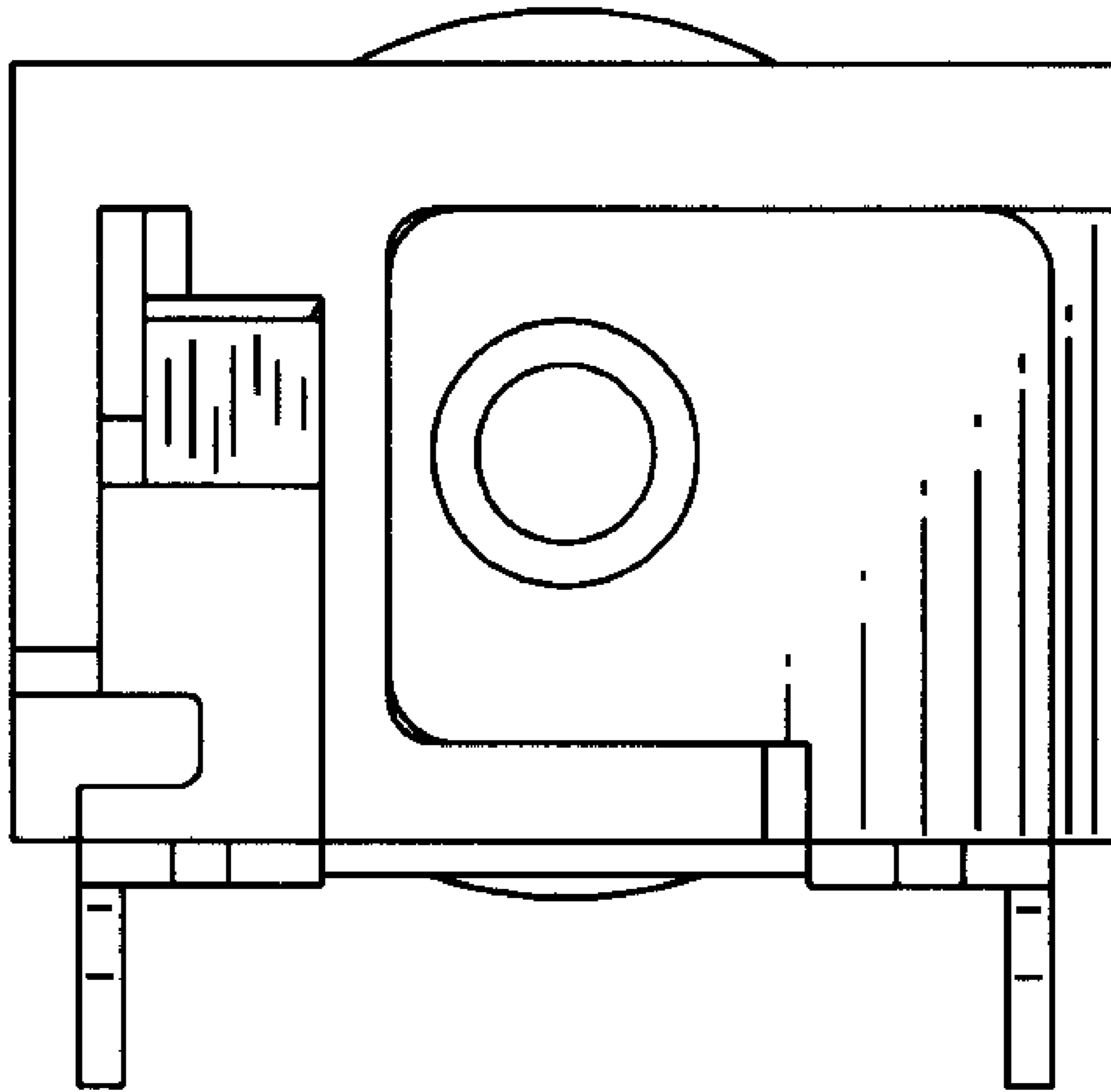


FIG. 3

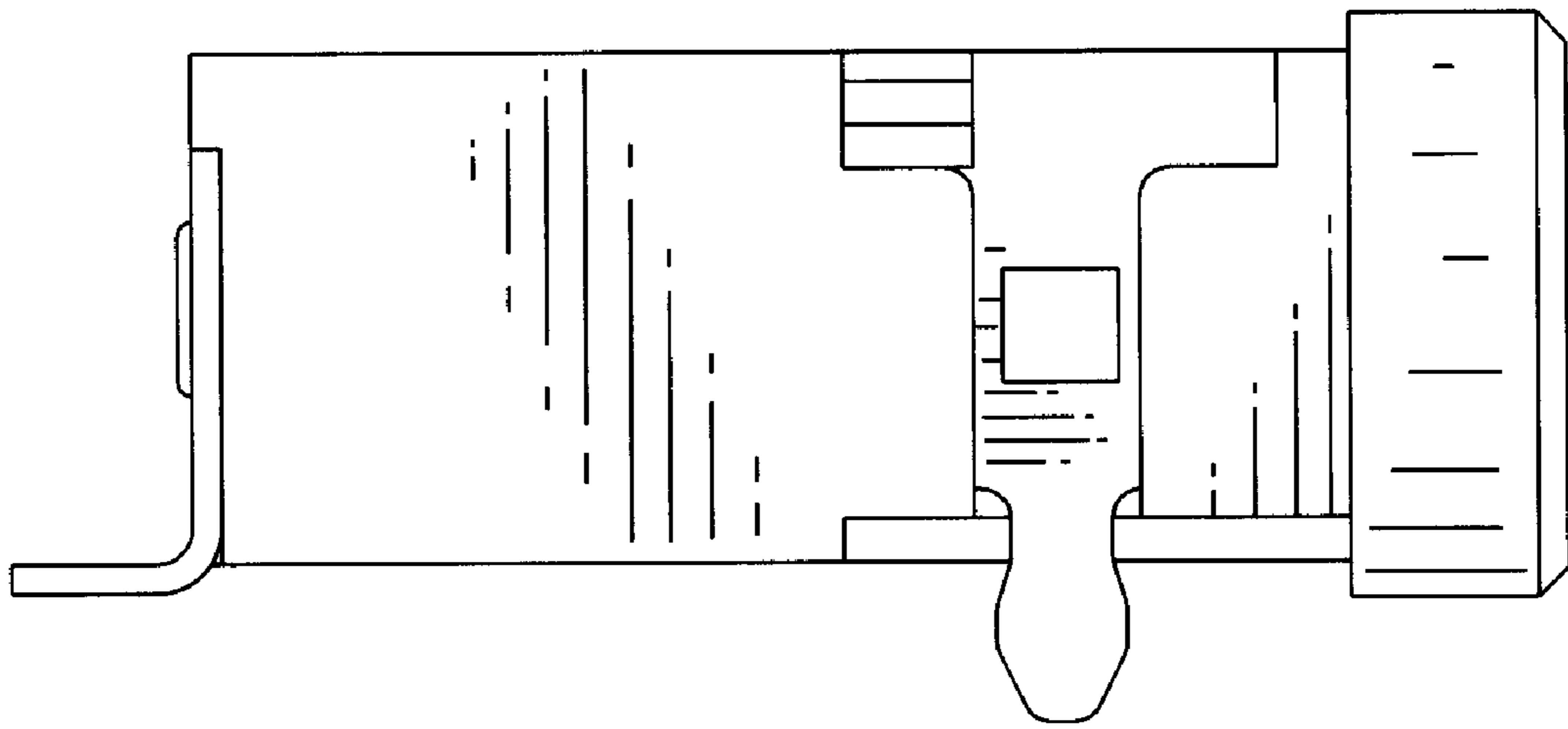


FIG. 4

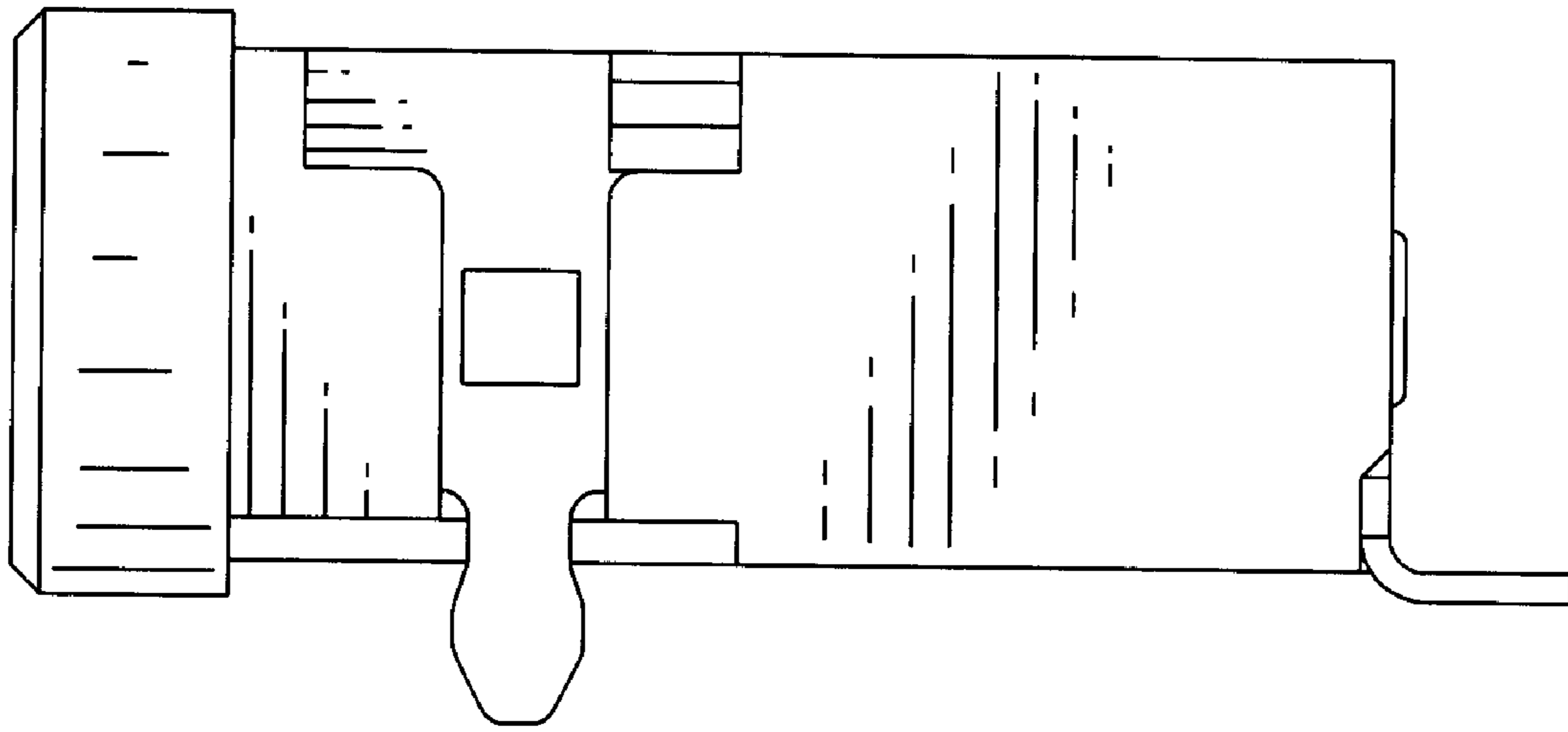


FIG. 5

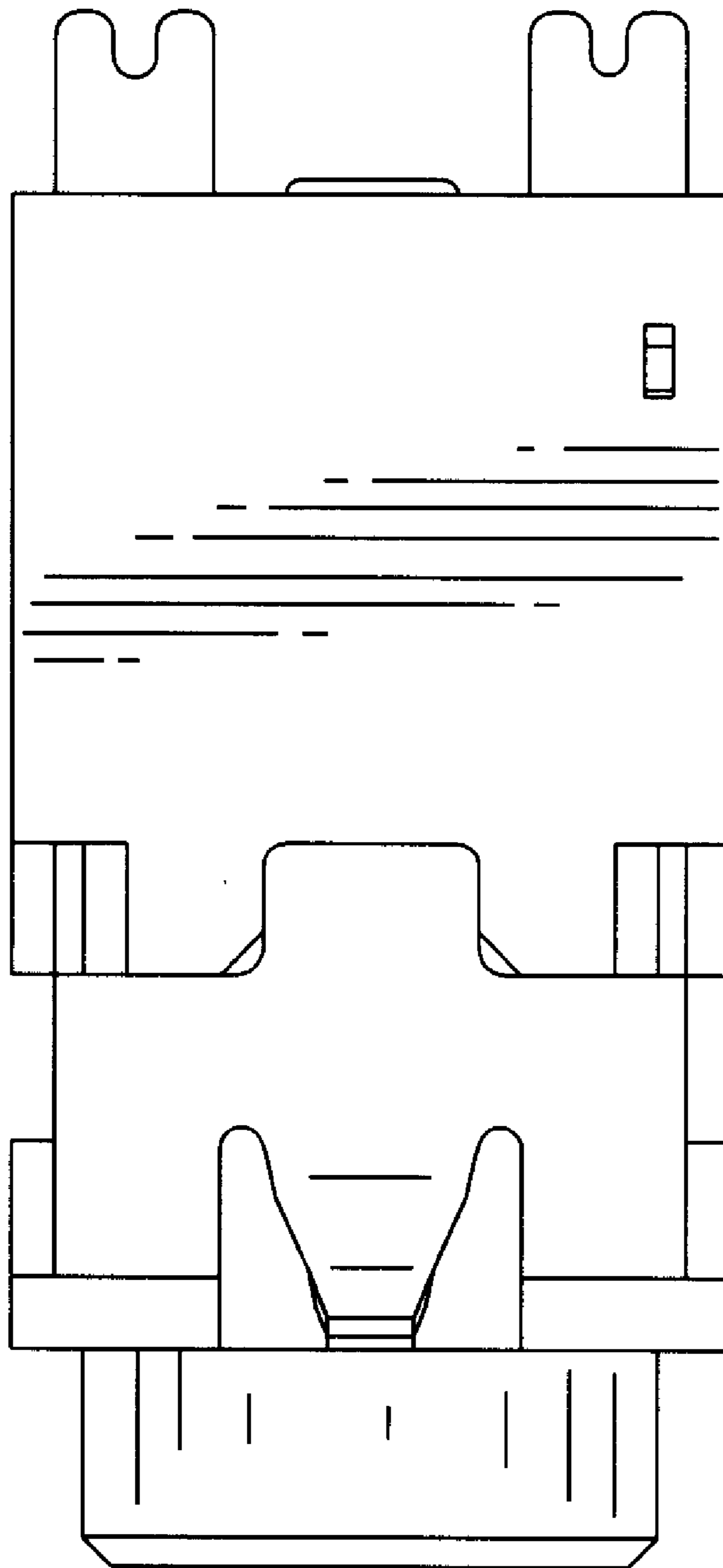


FIG. 6

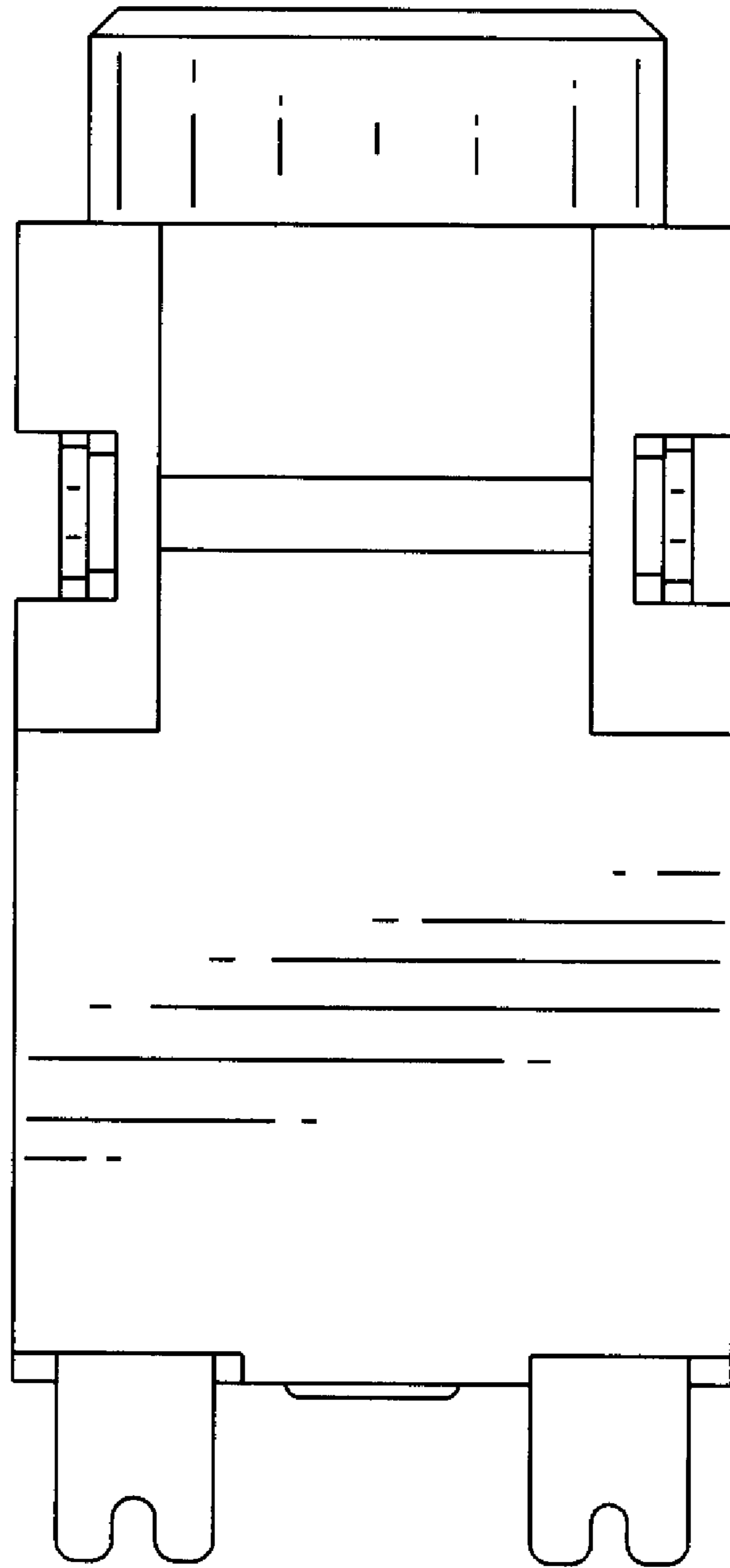


FIG. 7