



US00D534867S

(12) **United States Design Patent**
Xue et al.

(10) **Patent No.:** **US D534,867 S**
(45) **Date of Patent:** **** Jan. 9, 2007**

- (54) **ELECTRICAL CONNECTOR**
- (75) Inventors: **Zhang-Lan Xue**, Kunshan (CN);
Zi-Qiang Zhu, Kunshan (CN)
- (73) Assignee: **Hon Hai Precision Ind. Co., Ltd.**,
Taipei Hsien (TW)
- (**) Term: **14 Years**
- (21) Appl. No.: **29/245,370**
- (22) Filed: **Dec. 22, 2005**
- (30) **Foreign Application Priority Data**
Aug. 31, 2005 (CN) 200530088900
- (51) **LOC (8) Cl.** **13-03**
- (52) **U.S. Cl.** **D13/133**
- (58) **Field of Classification Search** D13/133,
D13/146, 154, 184, 199; 381/384, 394; 439/188,
439/278, 607, 668, 894
See application file for complete search history.

- 6,231,396 B1 * 5/2001 Huang 439/668
- D454,840 S * 3/2002 Ohbayashi et al. D13/133
- D461,770 S * 8/2002 Ma et al. D13/133
- D470,107 S * 2/2003 Li et al. D13/133
- 2002/0039851 A1 * 4/2002 Mou et al. 439/188

* cited by examiner

Primary Examiner—Prabhakar Deshmukh
Assistant Examiner—Daniel Bui
(74) *Attorney, Agent, or Firm*—Wei Te Chung

(57) **CLAIM**

The ornamental design for an electrical connector, as shown.

DESCRIPTION

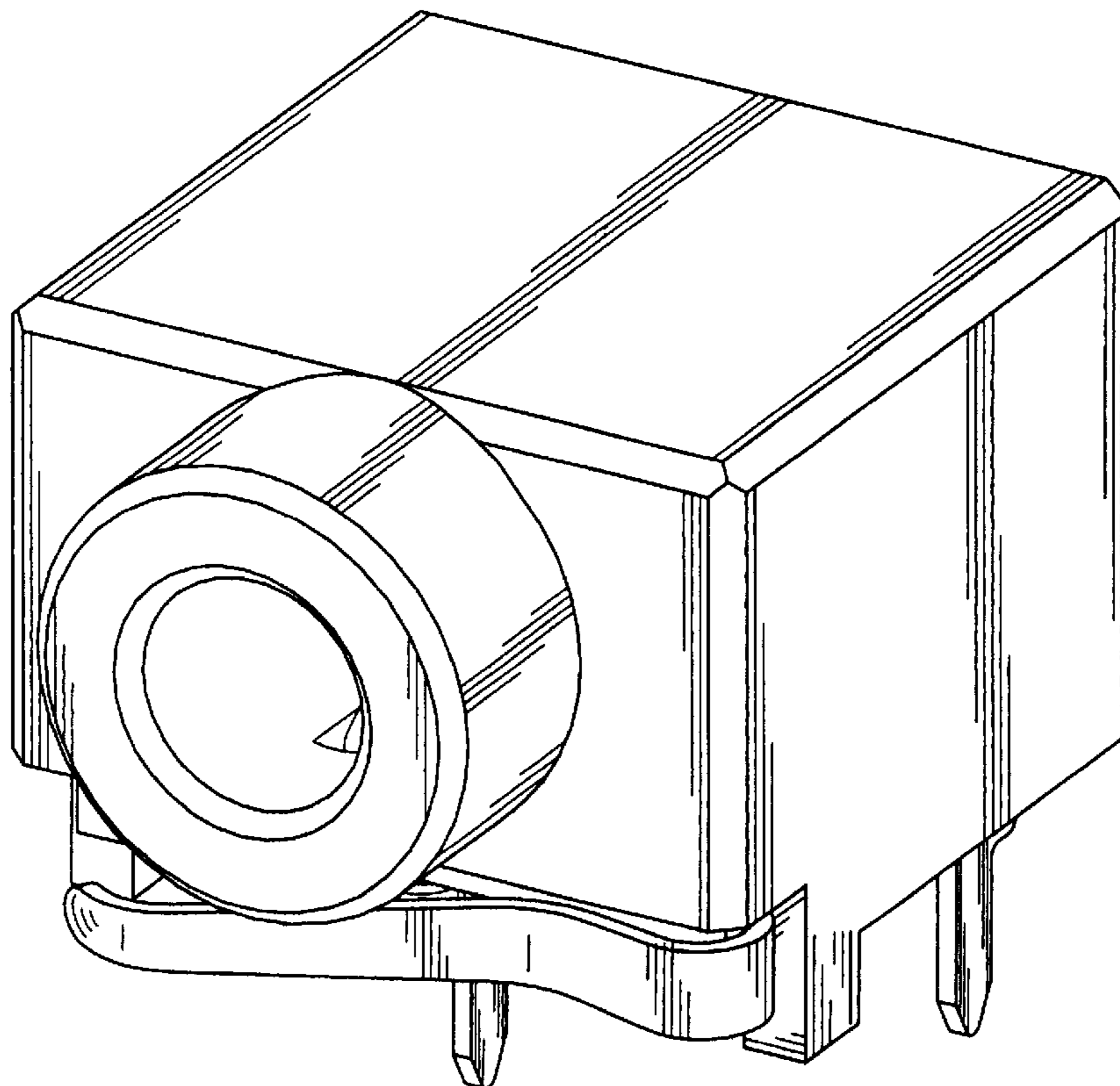
FIG. 1 is a front, top and right side perspective view of an electrical connector showing our new design; FIG. 2 is a front elevational view thereof; FIG. 3 is a rear elevational view thereof; FIG. 4 is a left side elevational view thereof; FIG. 5 is a right side elevational view thereof; FIG. 6 is a top plan view thereof; and, FIG. 7 is a bottom plan view thereof. The broken line showing of the environment is for illustrative purposes only and forms no part of the claimed design.

(56) **References Cited**

U.S. PATENT DOCUMENTS

- 6,050,854 A * 4/2000 Fang et al. 439/607
- D432,083 S * 10/2000 Chang D13/133

1 Claim, 7 Drawing Sheets



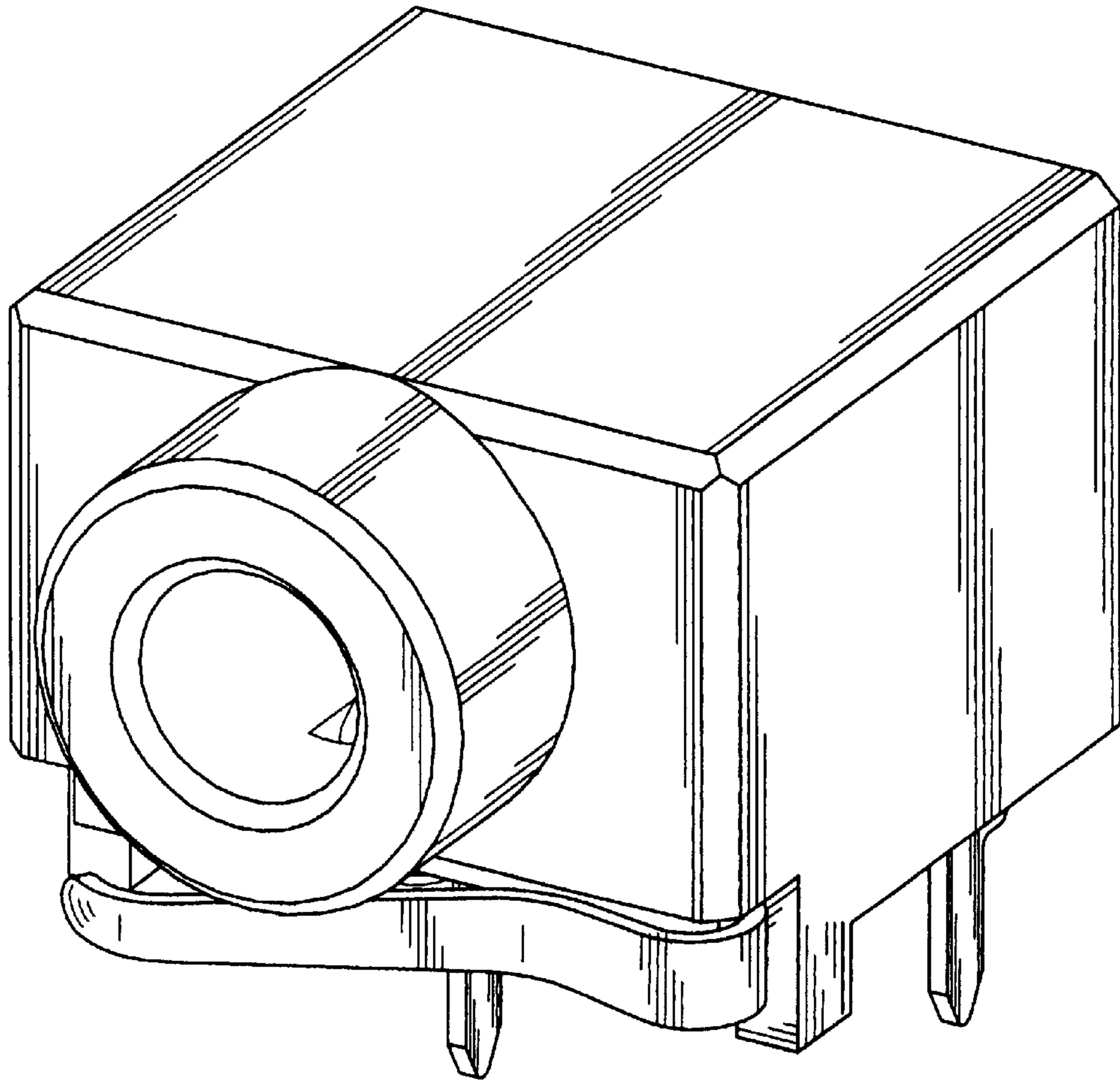


FIG.1

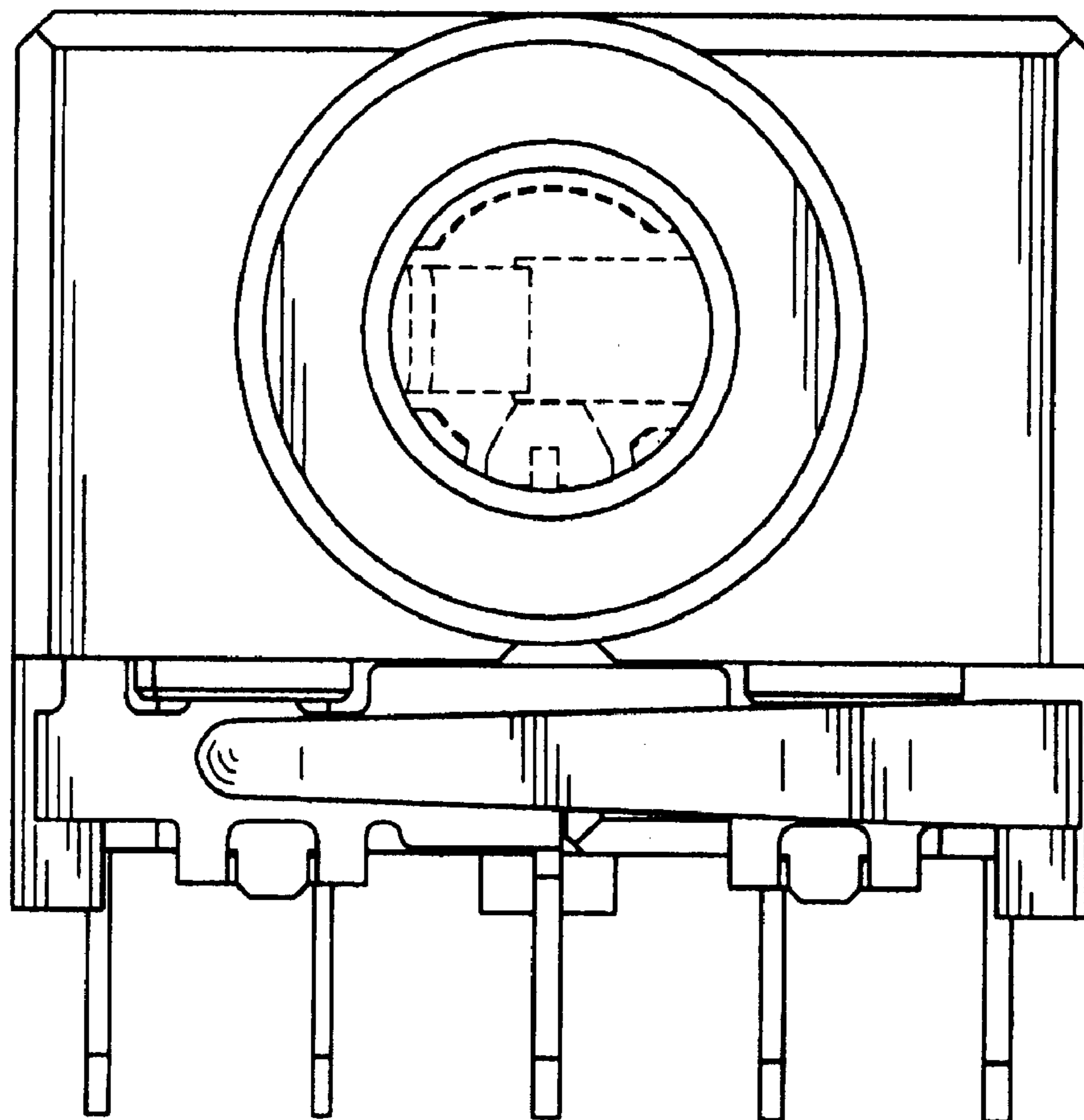


FIG. 2

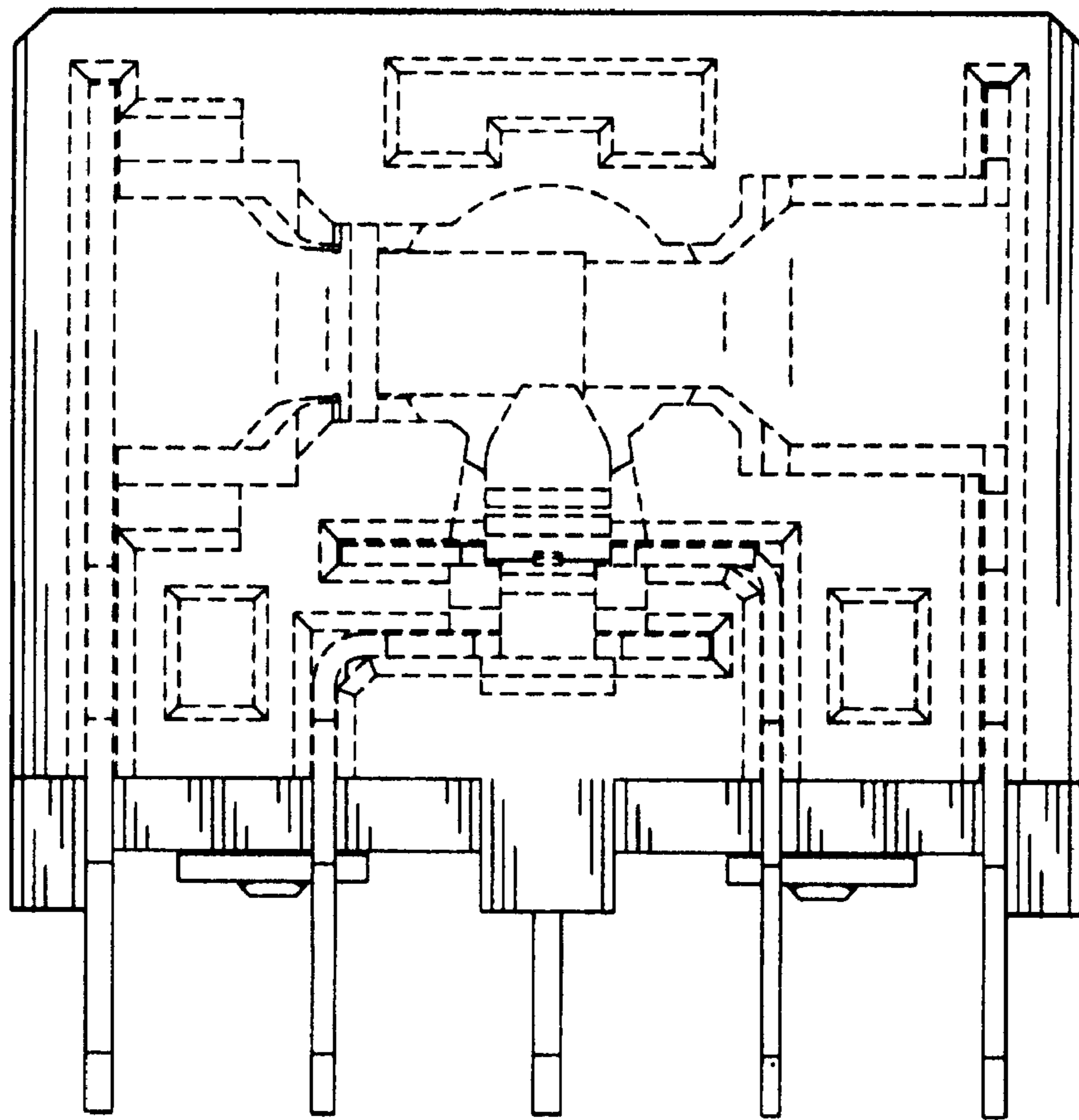


FIG. 3

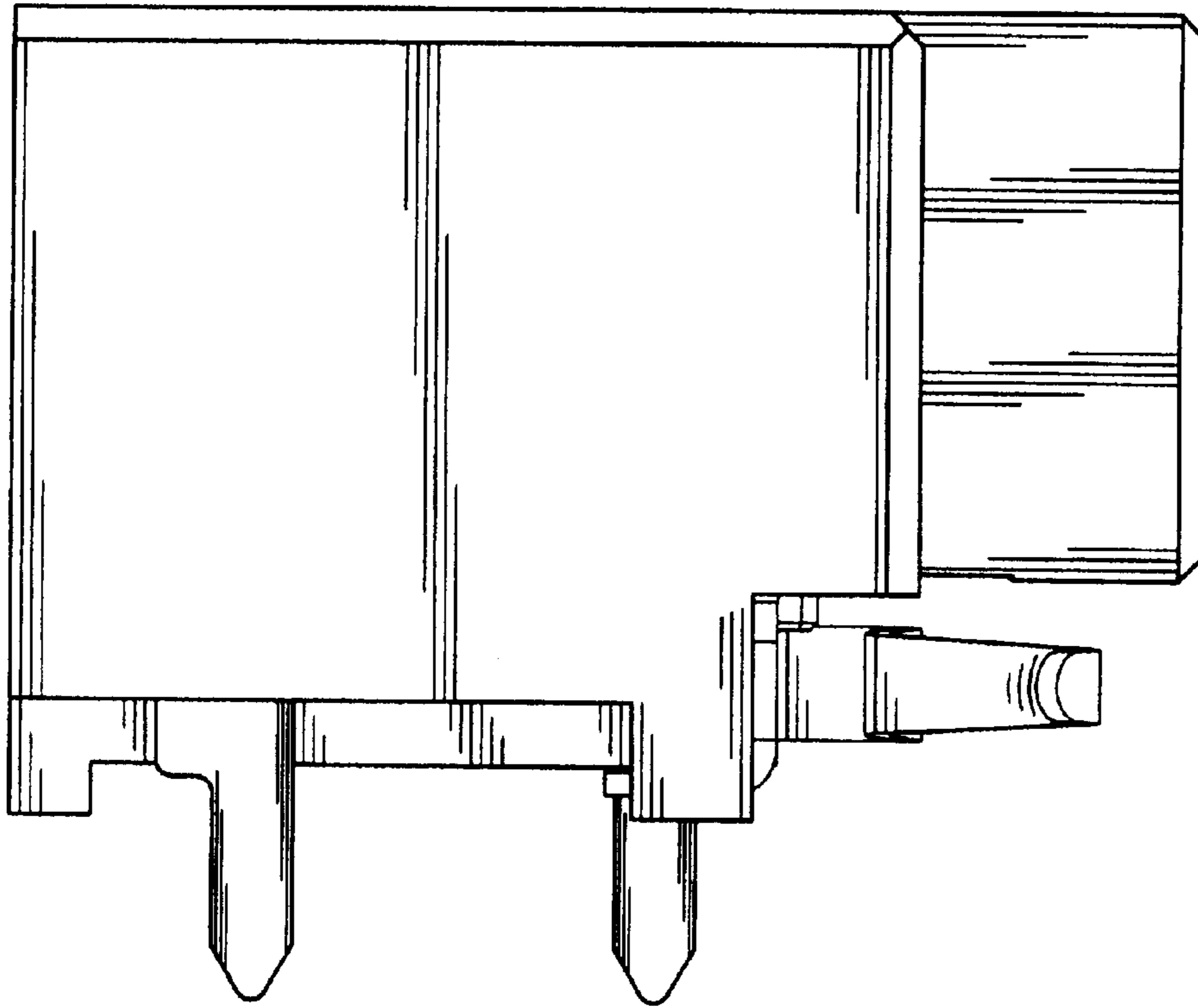


FIG. 4

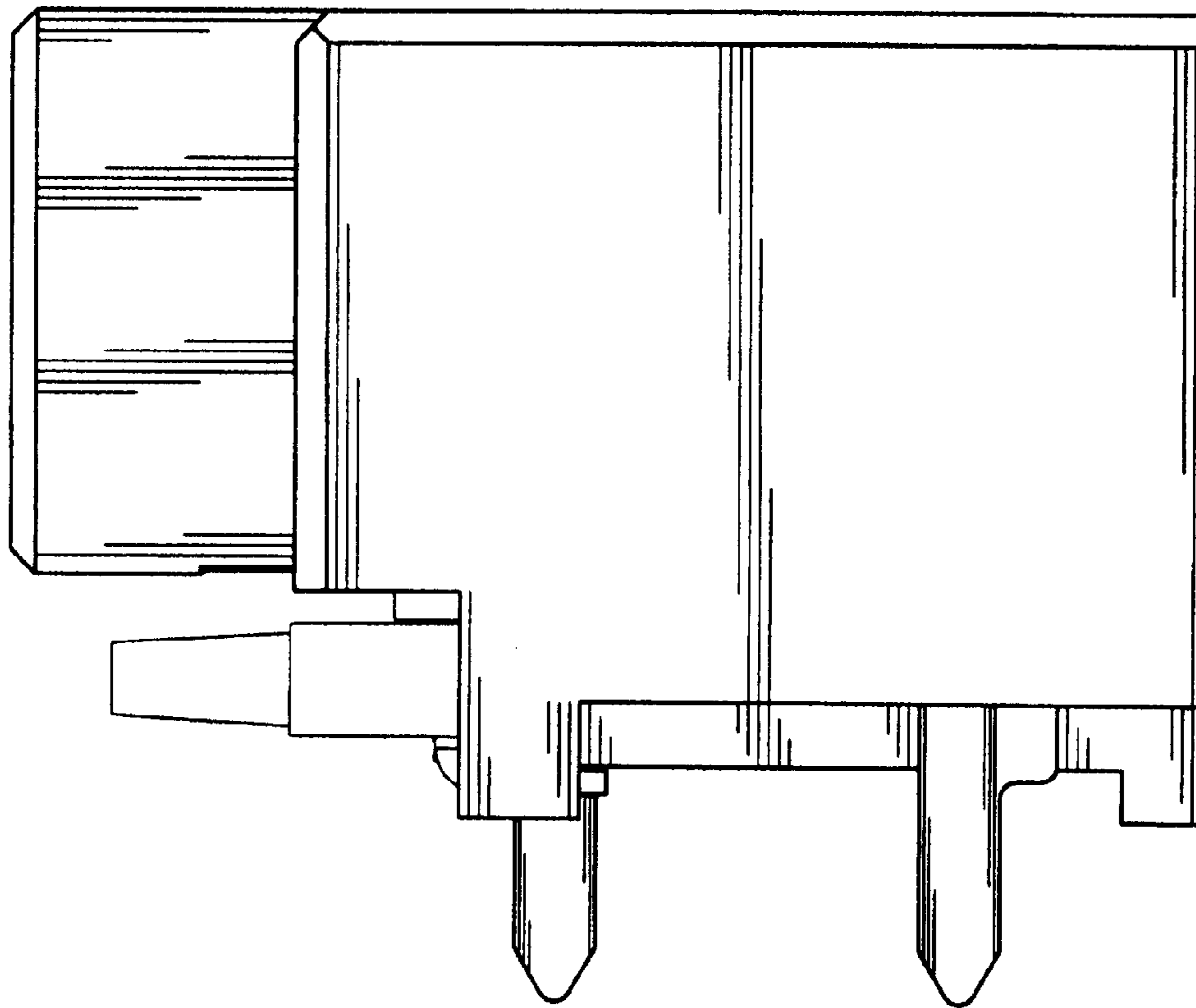


FIG. 5

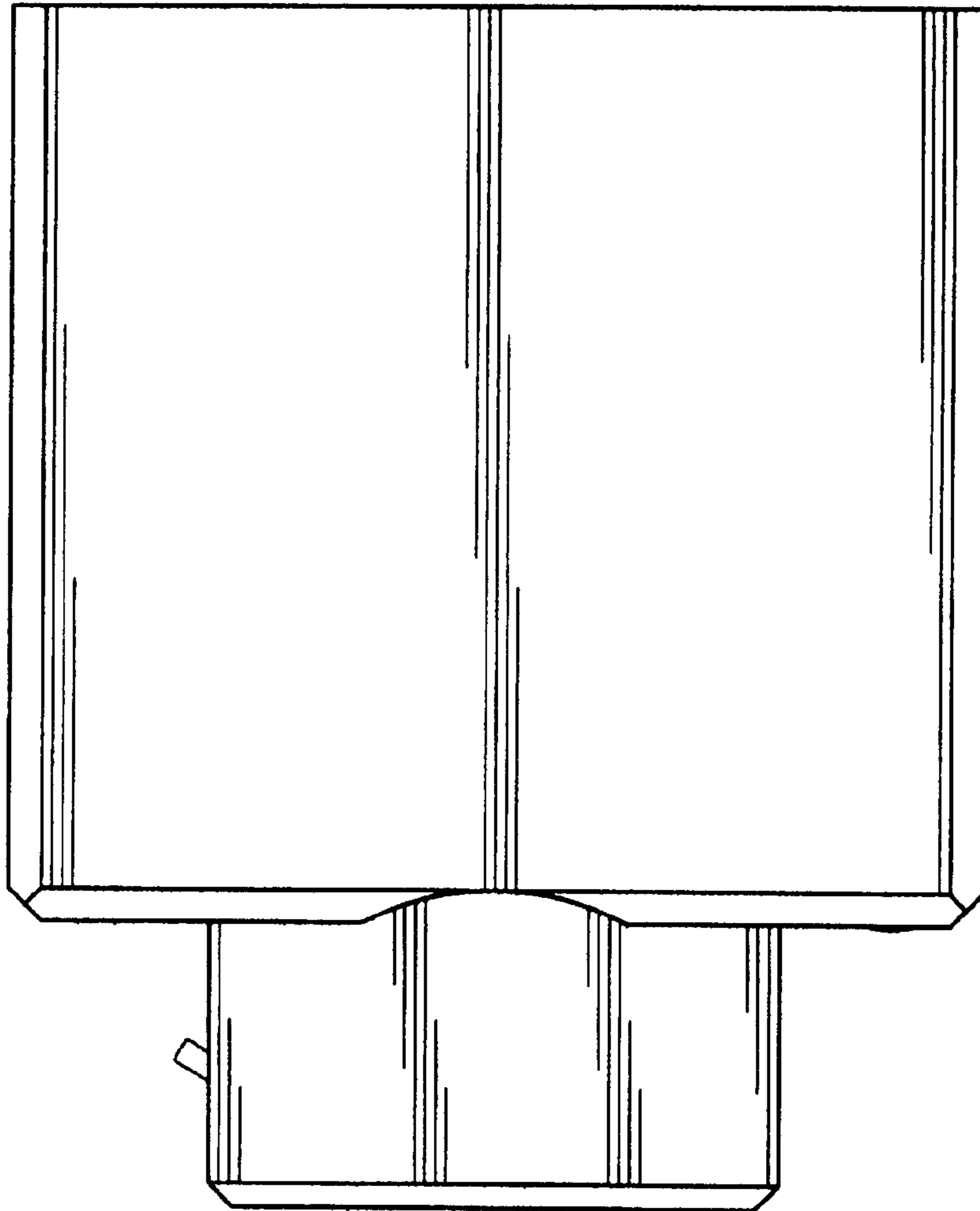


FIG. 6

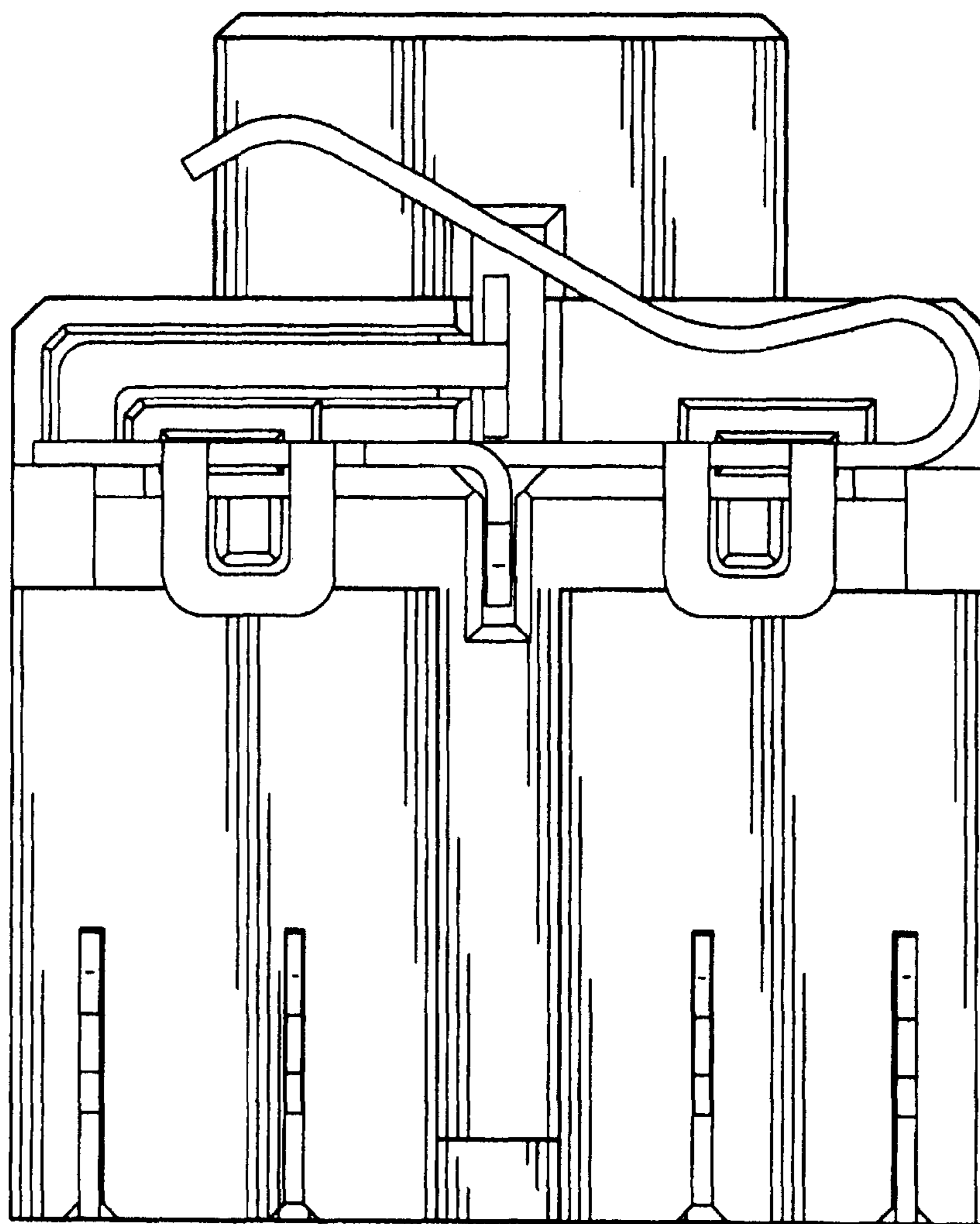


FIG. 7