



US00D534865S

(12) **United States Design Patent**
Wang

(10) **Patent No.:** **US D534,865 S**

(45) **Date of Patent:** **** Jan. 9, 2007**

(54) **ELECTRICAL CONNECTOR**

(75) Inventor: **Ning Wang**, Santa Clara, CA (US)

(73) Assignee: **Hon Hai Precision Ind. Co., Ltd**,
Taipei Hsien (TW)

(**) Term: **14 Years**

(21) Appl. No.: **29/206,307**

(22) Filed: **May 28, 2004**

(30) **Foreign Application Priority Data**

Nov. 28, 2003 (CN) 2003 3 0121104

(51) **LOC (8) Cl.** **13-03**

(52) **U.S. Cl.** **D13/133**

(58) **Field of Classification Search** D13/133,
D13/146, 154, 184, 199; 381/384, 394; 439/79,
439/188, 278, 607, 668, 894
See application file for complete search history.

(56) **References Cited**

U.S. PATENT DOCUMENTS

6,050,854 A * 4/2000 Fang et al. 439/607

D431,528 S * 10/2000 Zhu et al. D13/133
D447,116 S * 8/2001 Zhu et al. D13/133
D508,894 S * 8/2005 Zhao et al. D13/133
7,044,791 B1 * 5/2006 Wang 439/607
2005/0124220 A1 * 6/2005 Wang 439/607
2006/0160427 A1 * 7/2006 Yin 439/668

* cited by examiner

Primary Examiner—Nanda Bondade

Assistant Examiner—Daniel Bui

(74) *Attorney, Agent, or Firm*—Wei Te Chung

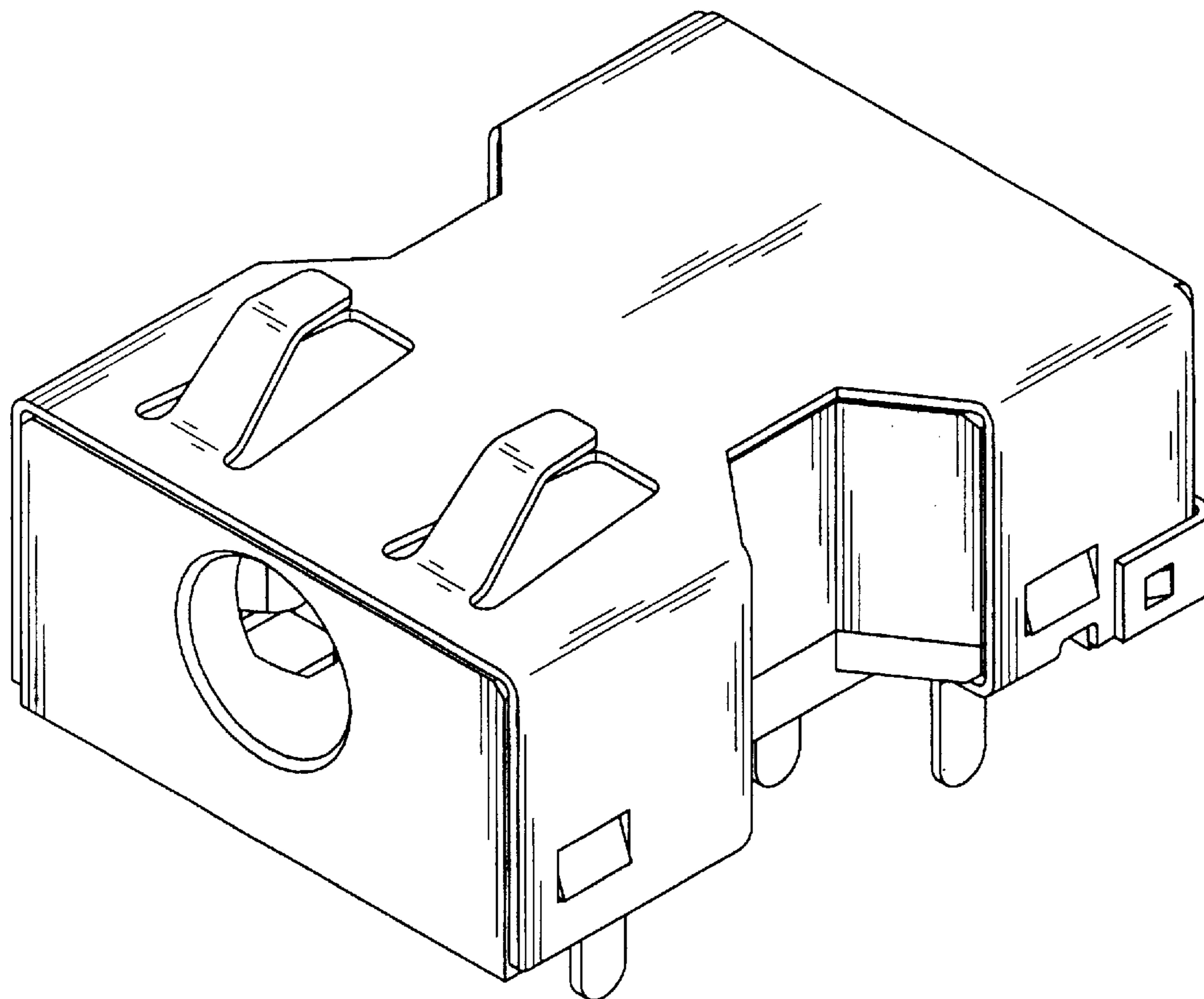
(57) **CLAIM**

The ornamental design for an electrical connector, as shown.

DESCRIPTION

FIG. 1 is a front, top and right side perspective view of an electrical connector showing my new design; FIG. 2 is a front elevational view thereof; FIG. 3 is a rear elevational view thereof; FIG. 4 is a left side elevational view thereof; FIG. 5 is a right side elevational view thereof; FIG. 6 is a top plan view thereof; and, FIG. 7 is a bottom plan view thereof.

1 Claim, 7 Drawing Sheets



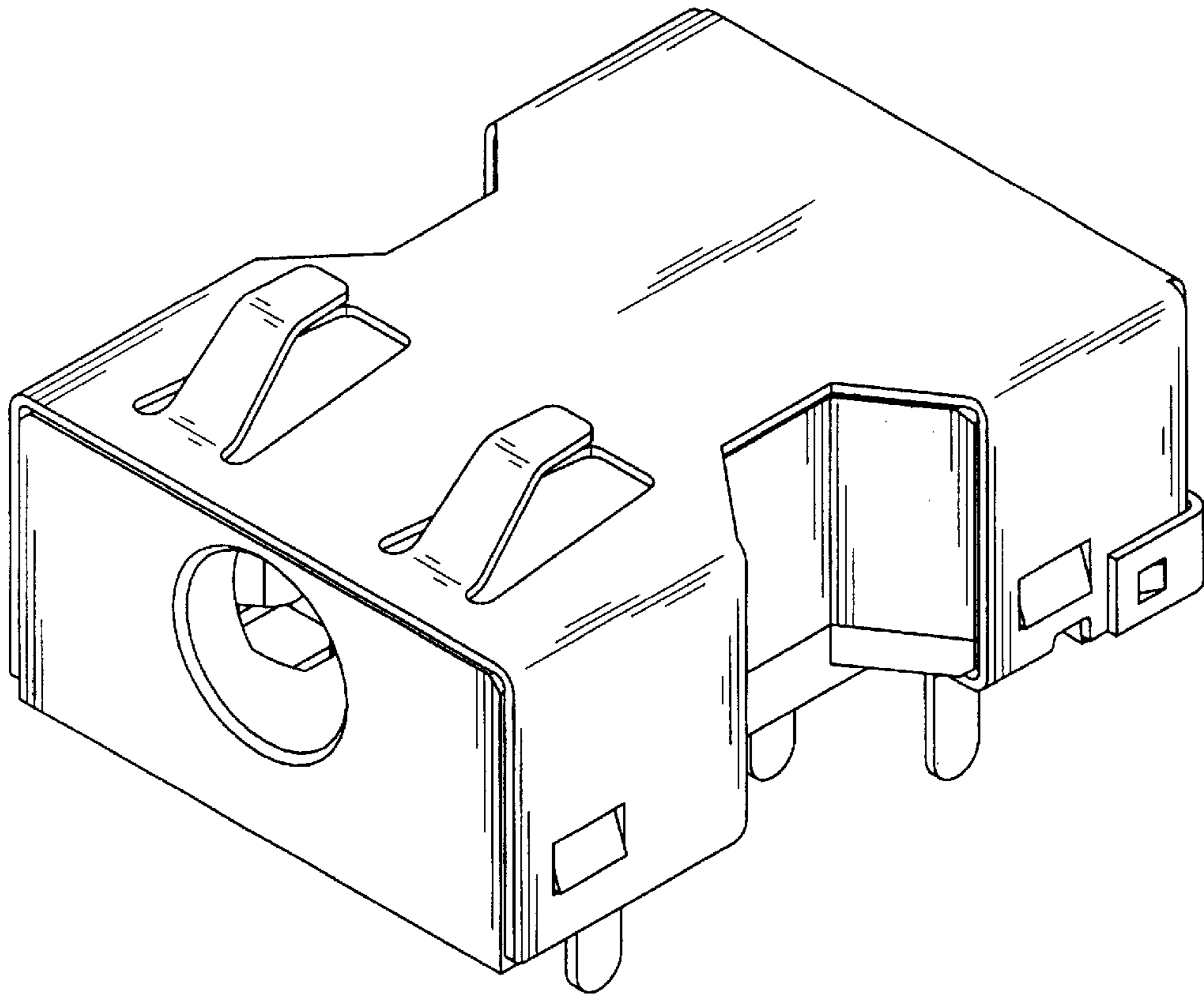


FIG. 1

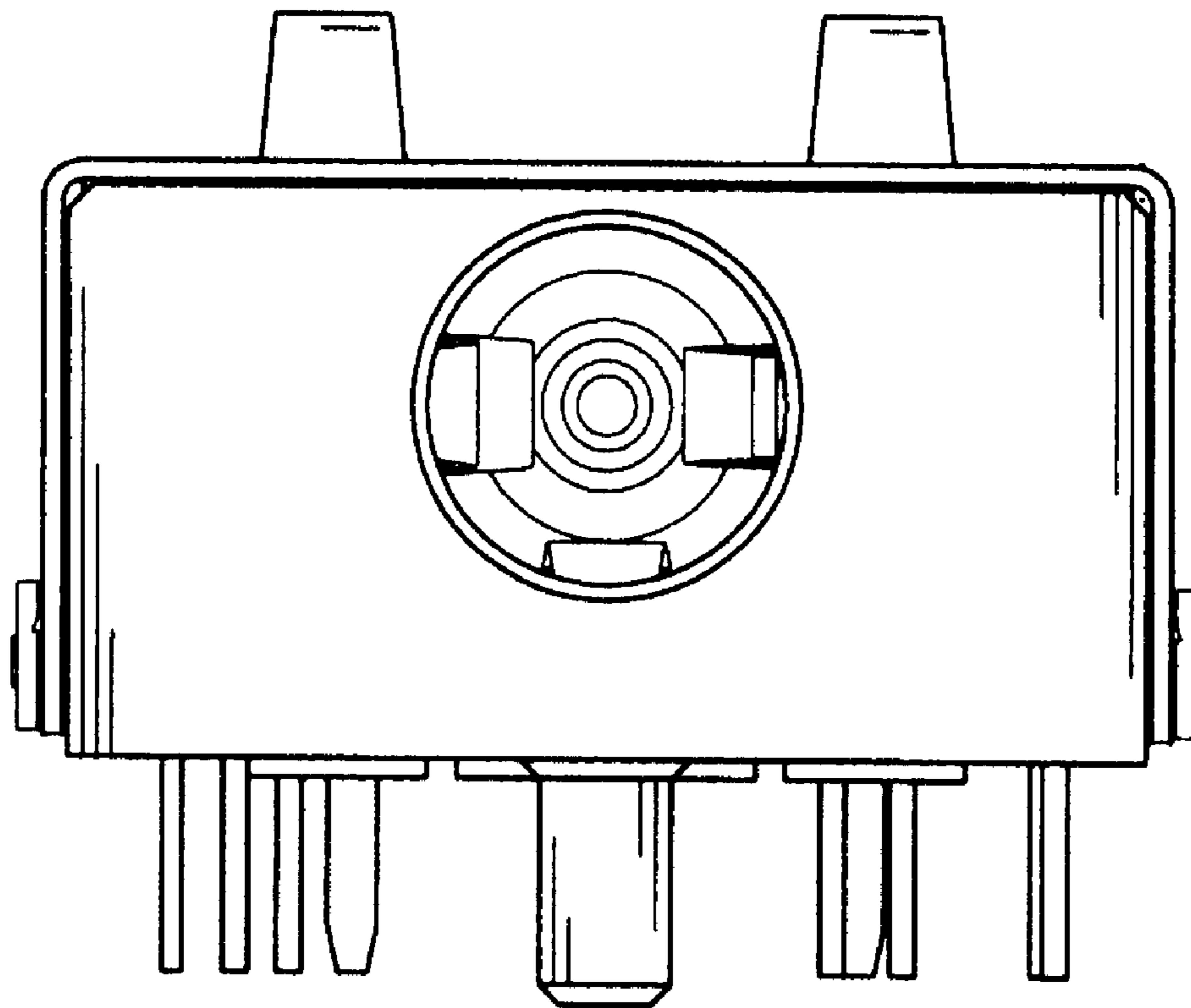


FIG. 2

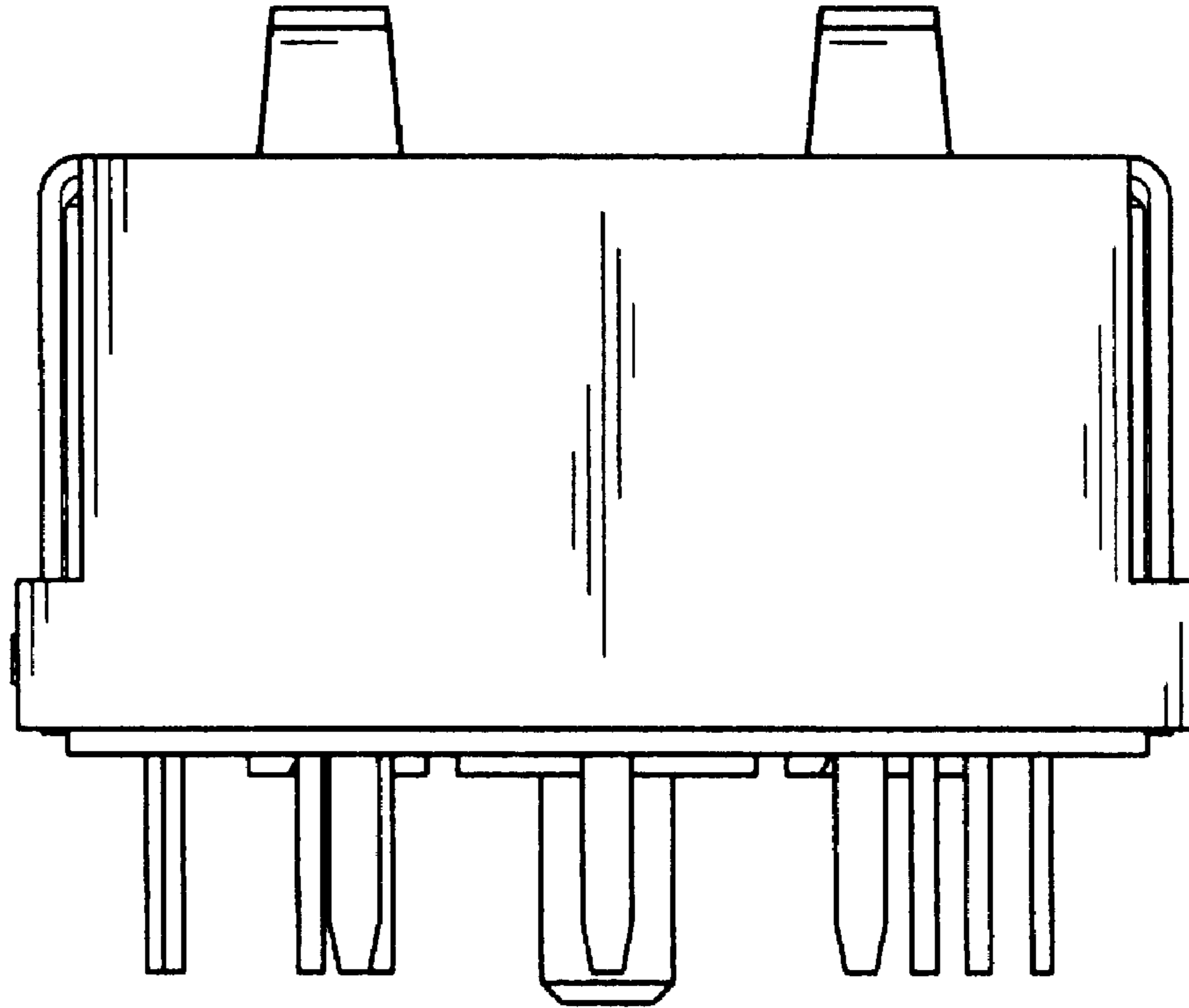


FIG. 3

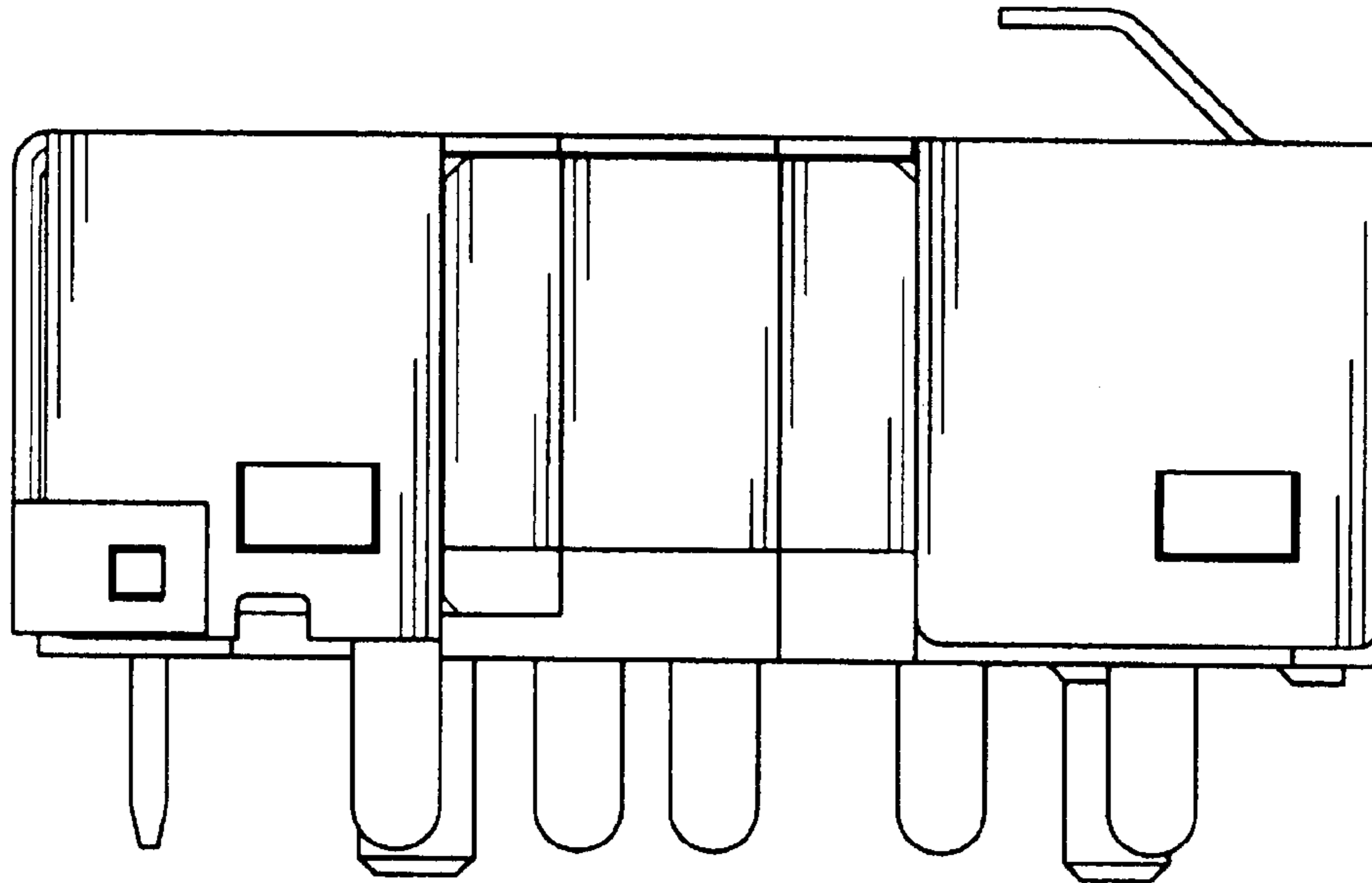


FIG. 4

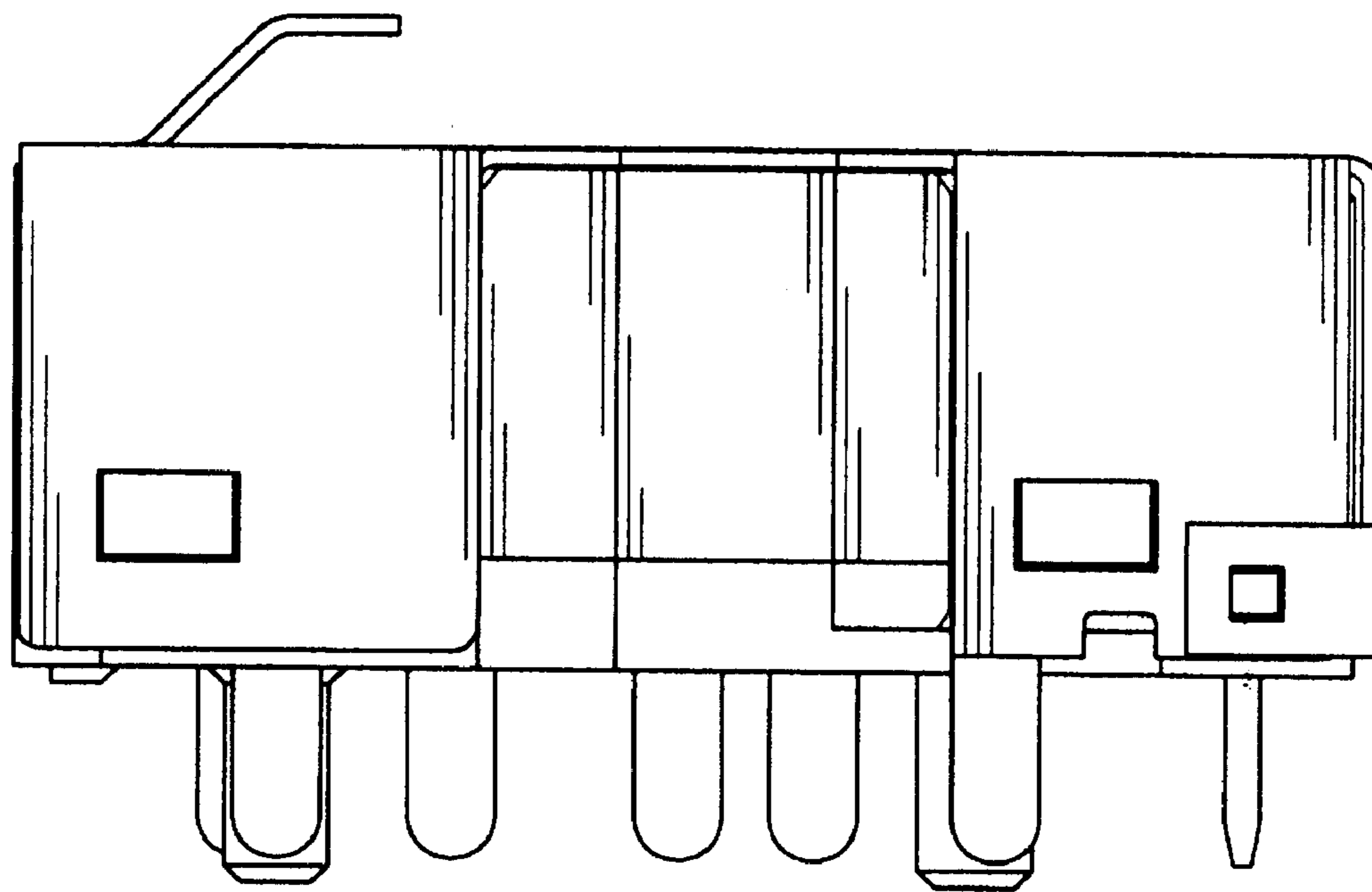


FIG. 5

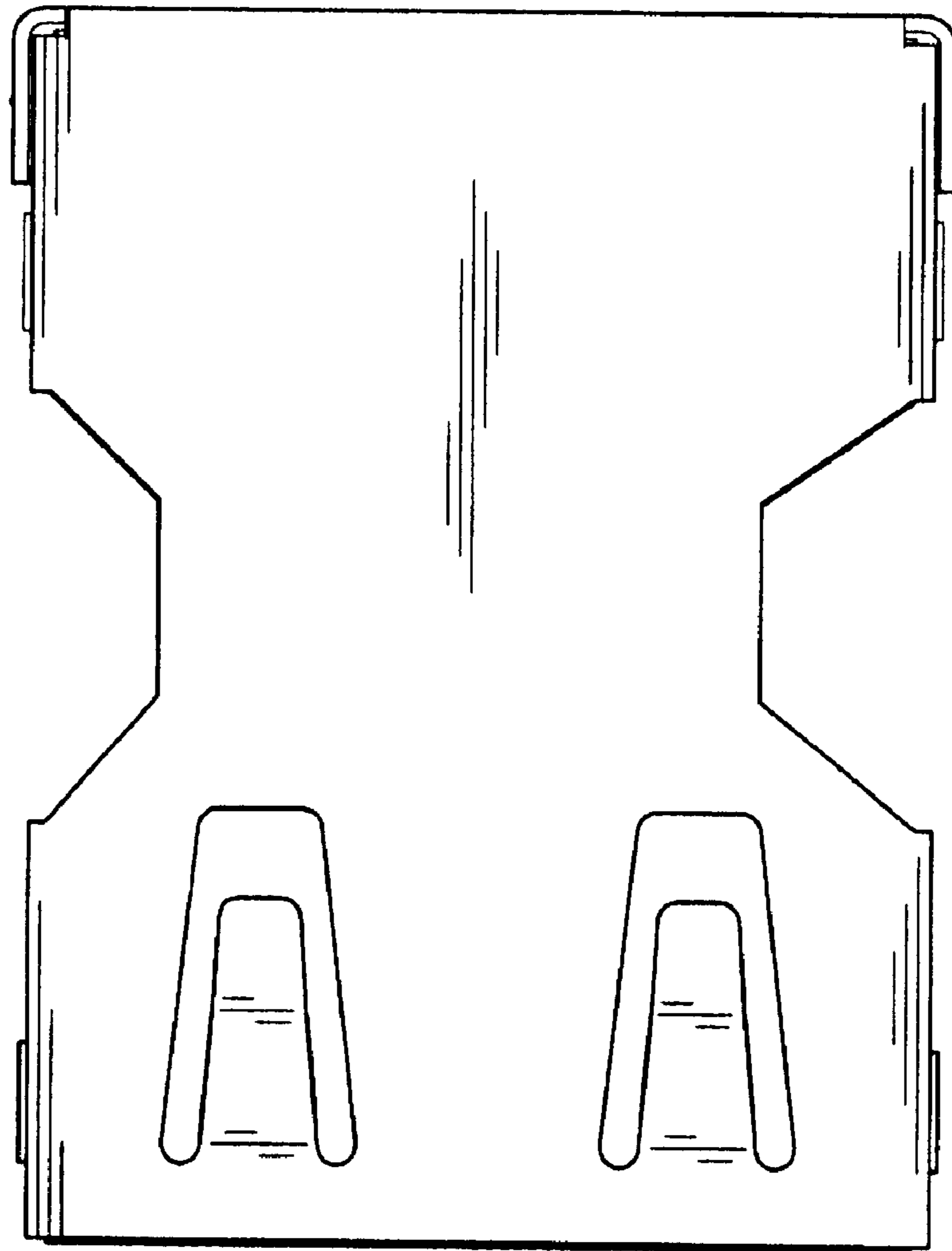


FIG. 6

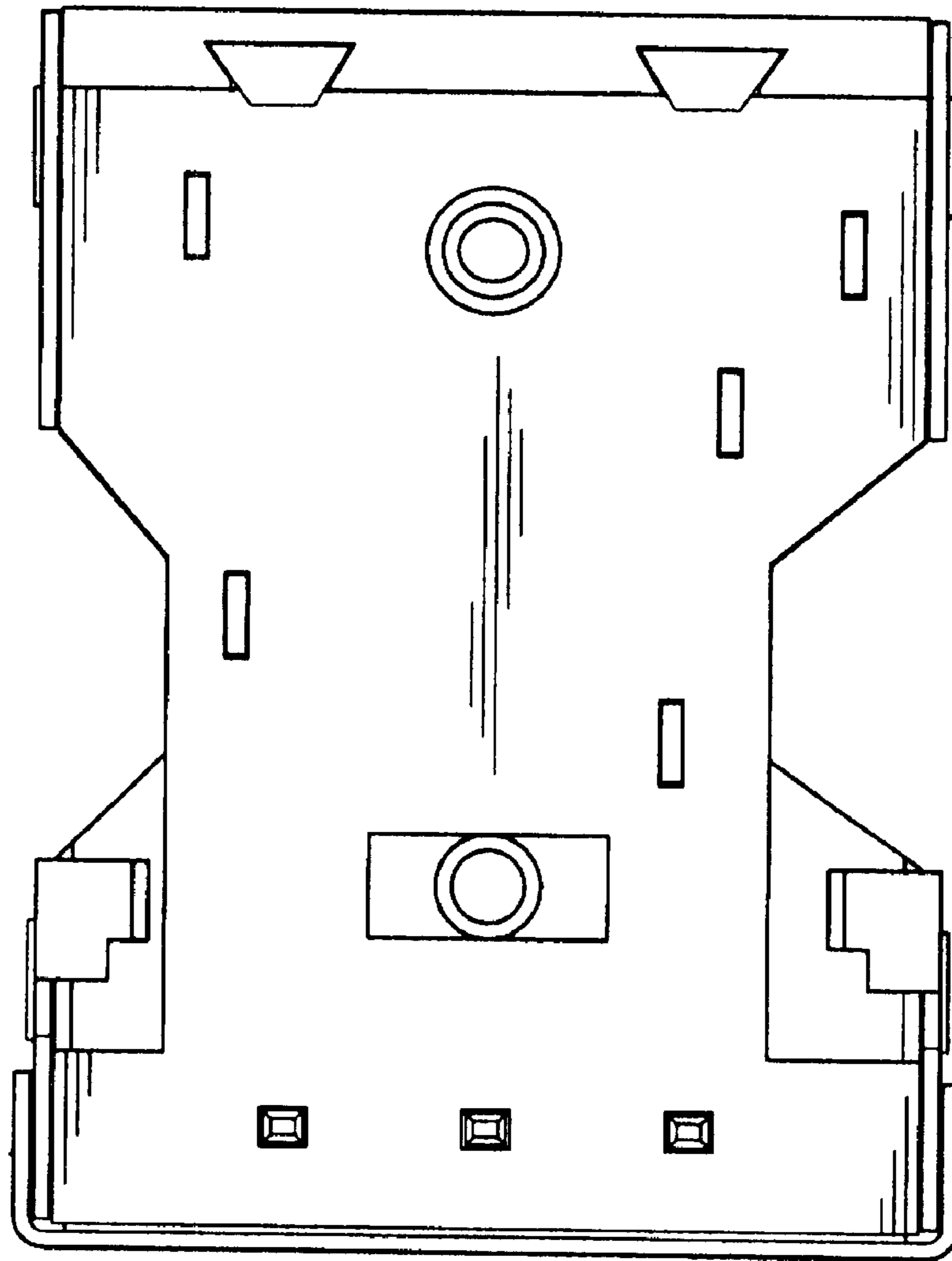


FIG. 7