



US00D534862S

(12) **United States Design Patent**  
**Aguilar**

(10) **Patent No.:** **US D534,862 S**

(45) **Date of Patent:** **\*\* Jan. 9, 2007**

(54) **RECEPTOR FOR AN ELECTRONIC DEVICE**

(75) Inventor: **Antonio Aguilar**, Redondo Beach, CA  
(US)

(73) Assignee: **Alpine Electronics, Inc.**, Iwaki (JP)

(\*\*) Term: **14 Years**

(21) Appl. No.: **29/244,378**

(22) Filed: **Dec. 7, 2005**

(51) **LOC (8) Cl.** ..... **13-02**

(52) **U.S. Cl.** ..... **D13/108**

(58) **Field of Classification Search** ..... D13/107-110,  
D13/118-119, 184; D14/251, 253, 432, 434;  
320/107-115

See application file for complete search history.

(56) **References Cited**

**U.S. PATENT DOCUMENTS**

D306,594 S	*	3/1990	Taylor	.....	D14/253
D321,855 S	*	11/1991	Ross, Jr.	.....	D13/107
5,357,185 A	*	10/1994	Chen	.....	320/110
D361,763 S	*	8/1995	Nagele et al.	.....	D14/144
D399,821 S	*	10/1998	Tyneski et al.	.....	D13/118
D408,418 S	*	4/1999	Pescetto et al.	.....	D14/253
D417,189 S	*	11/1999	Amero et al.	.....	D13/107
D421,443 S	*	3/2000	Nagele et al.	.....	D14/253
D472,896 S	*	4/2003	Peiker	.....	D14/253
6,774,605 B1	*	8/2004	Usui et al.	.....	320/112

D520,945 S	*	5/2006	Hayamizu	.....	D13/108
D520,946 S	*	5/2006	Nasu	.....	D13/108
D521,928 S	*	5/2006	Shimizu	.....	D13/108

\* cited by examiner

*Primary Examiner*—Alan P. Douglas

*Assistant Examiner*—Rosemary K. Tarcza

(74) *Attorney, Agent, or Firm*—Eric J. Aagaard, Esq.

(57) **CLAIM**

I claim the ornamental design for a receptor for an electronic device, as shown and described.

**DESCRIPTION**

FIG. 1 is a front side perspective view of a receptor for an electronic device;

FIG. 2 is a right side plan view of the receptor for an electronic device;

FIG. 3 is a left side plan view of the receptor for an electronic device;

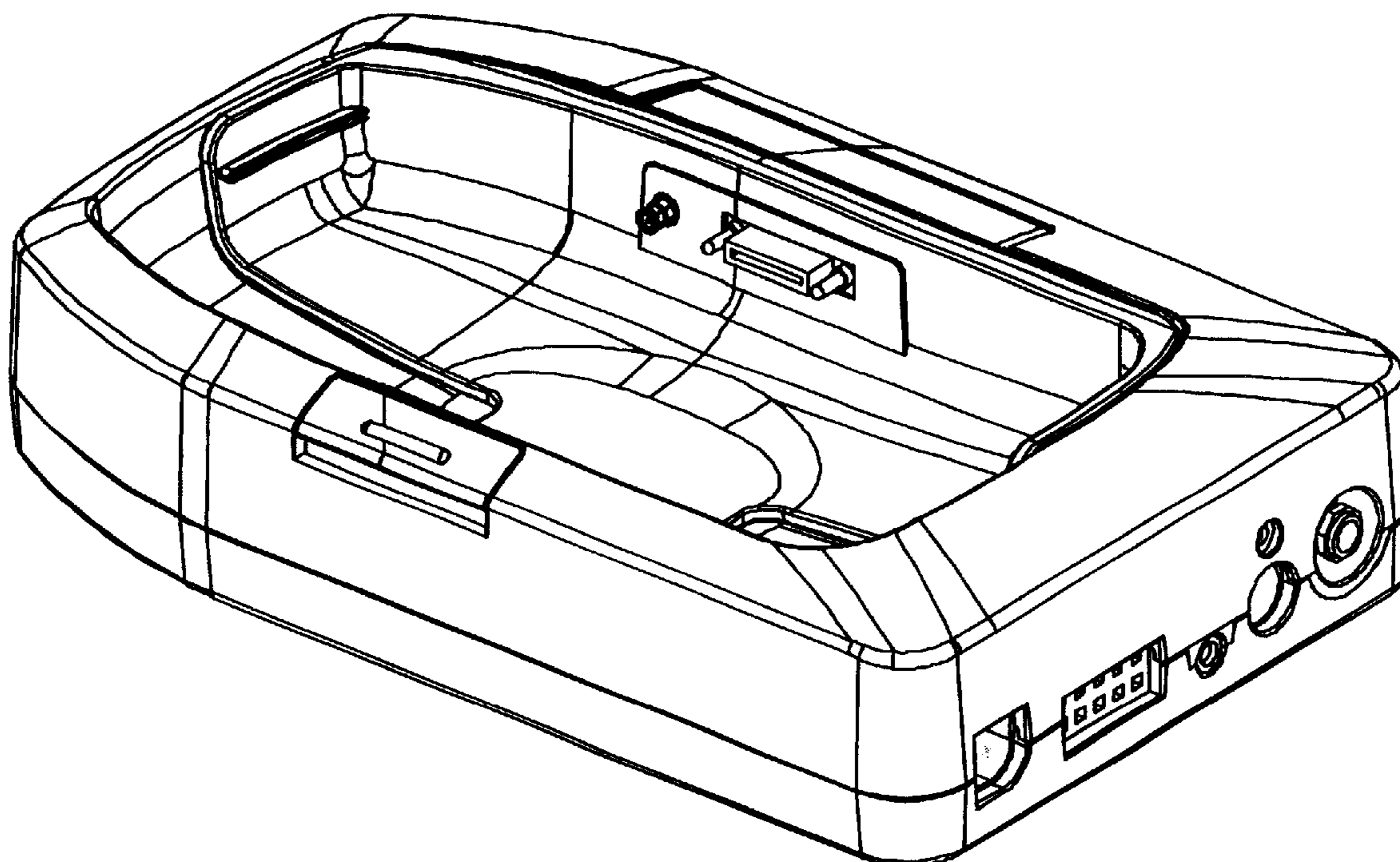
FIG. 4 is a front elevational view of the receptor for an electronic device;

FIG. 5 is a bottom plan view of the receptor for an electronic device;

FIG. 6 is a top plan view of a receptor for an electronic device; and,

FIG. 7 is a rear elevational view of the receptor for an electronic device.

**1 Claim, 3 Drawing Sheets**



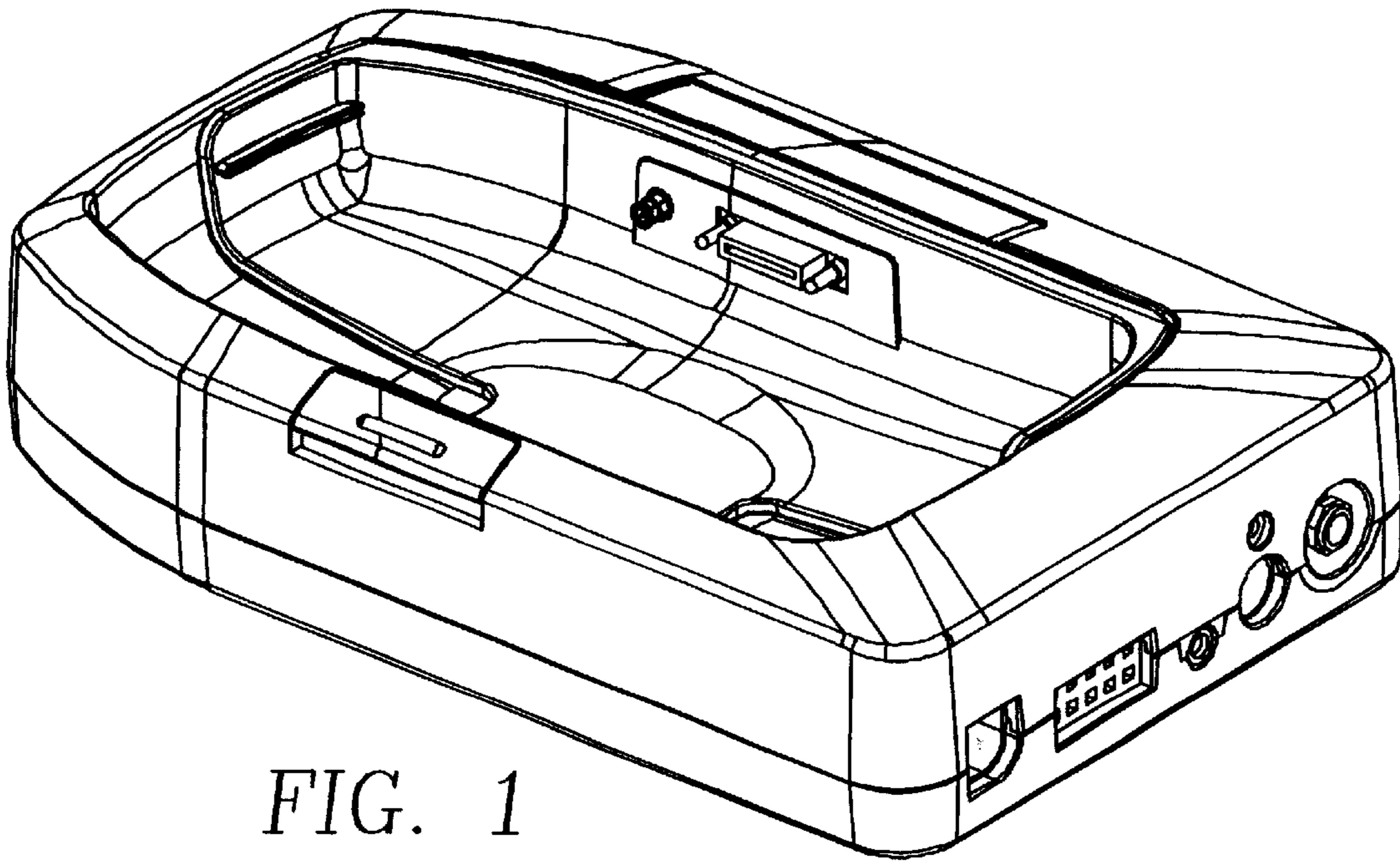


FIG. 1

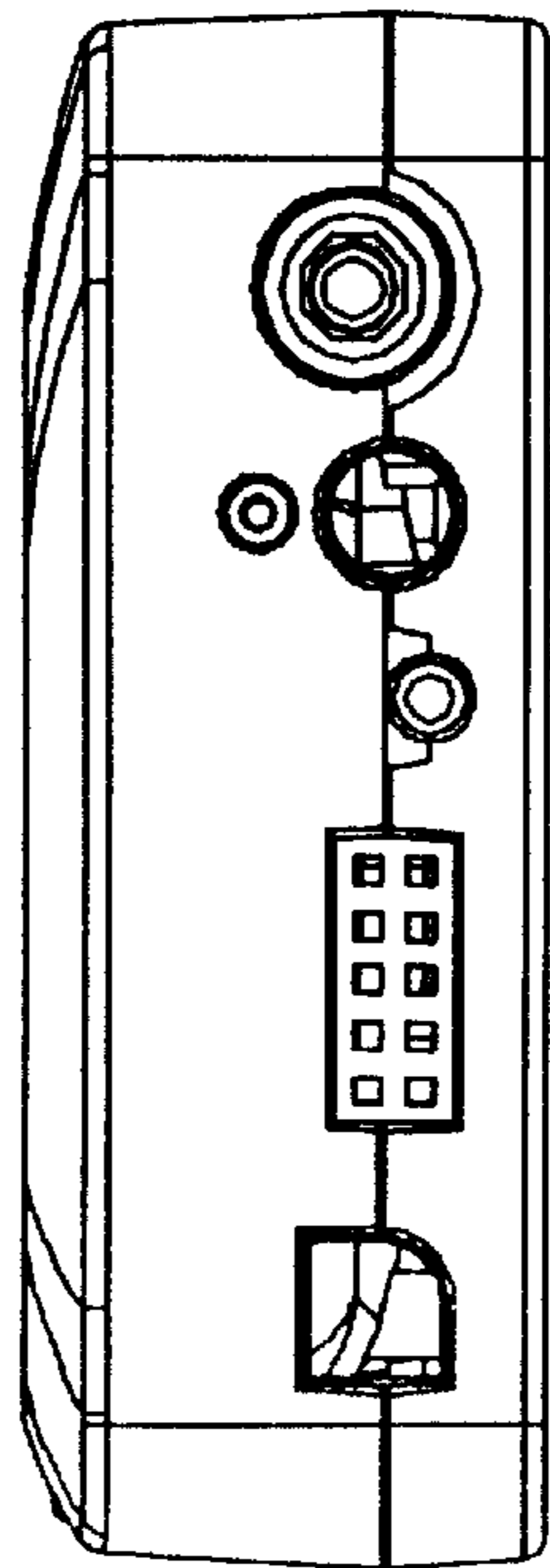


FIG. 2

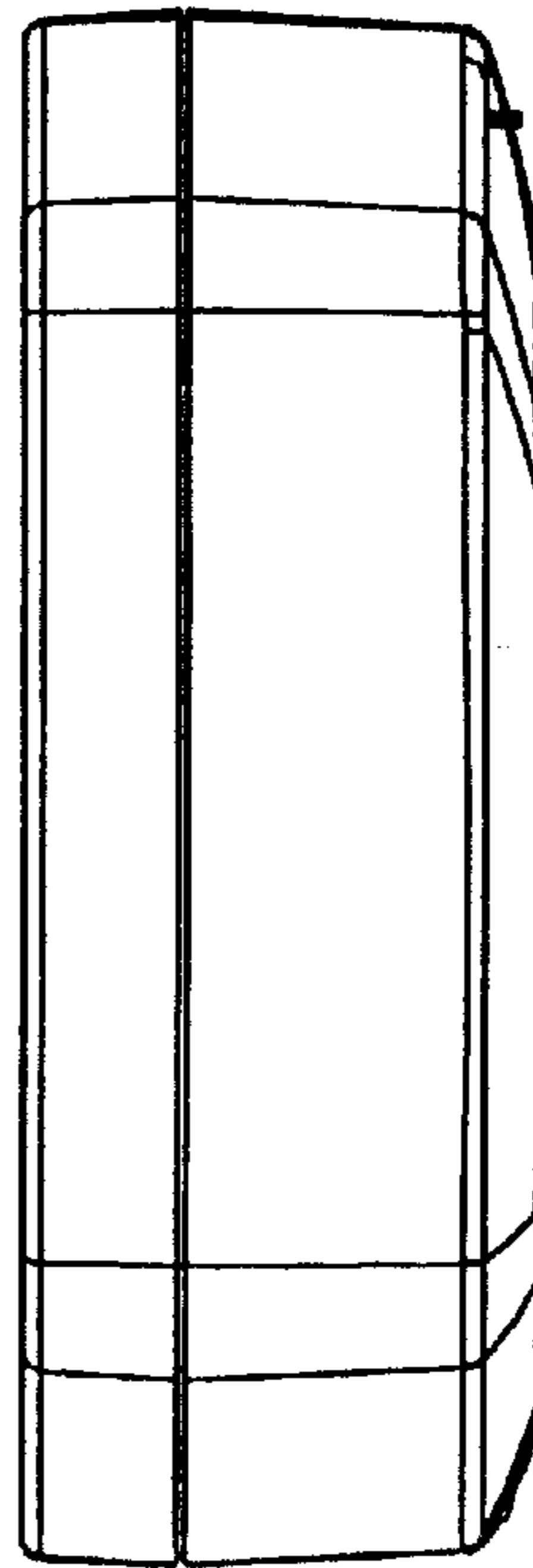


FIG. 3

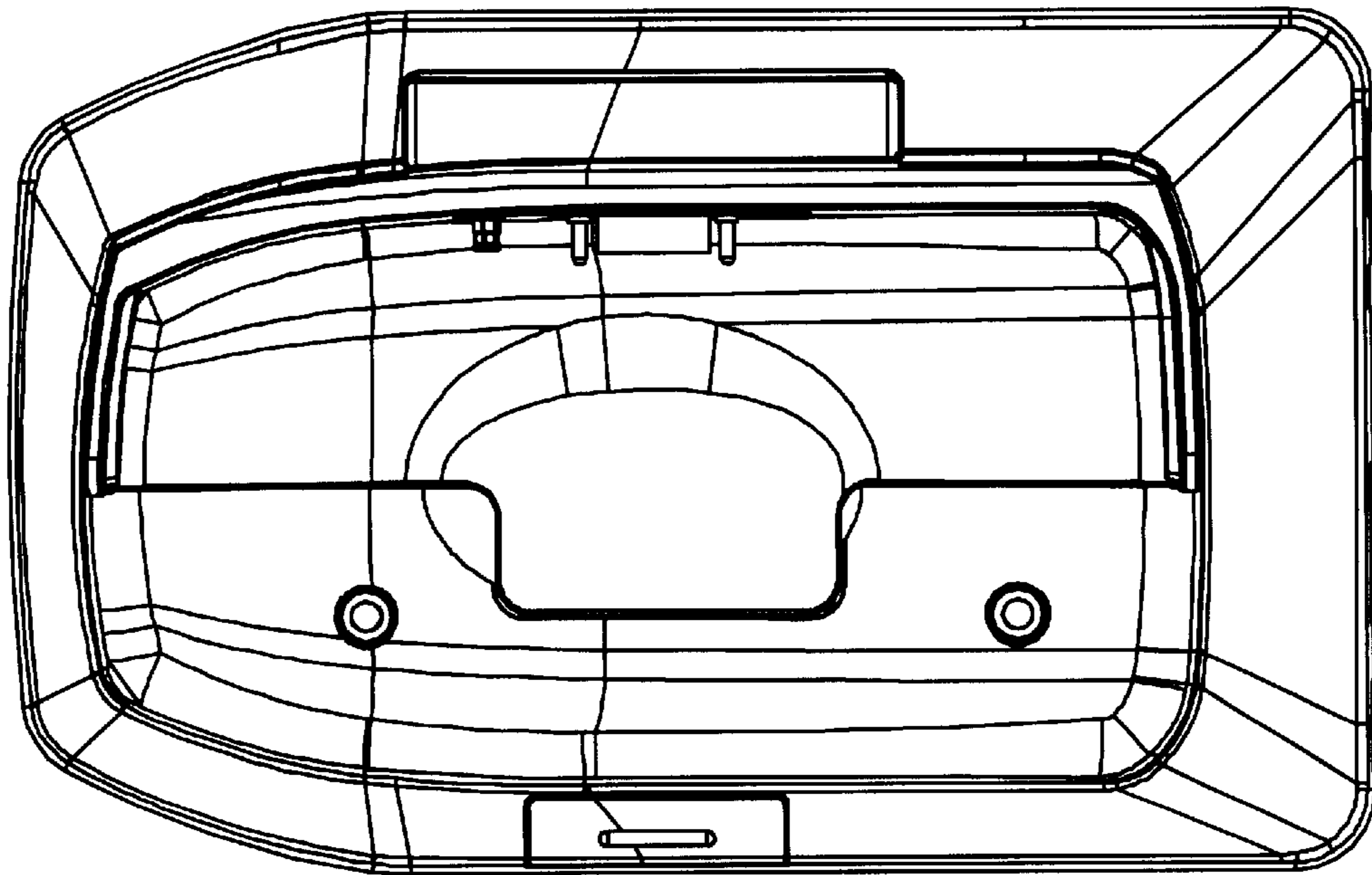


FIG. 4

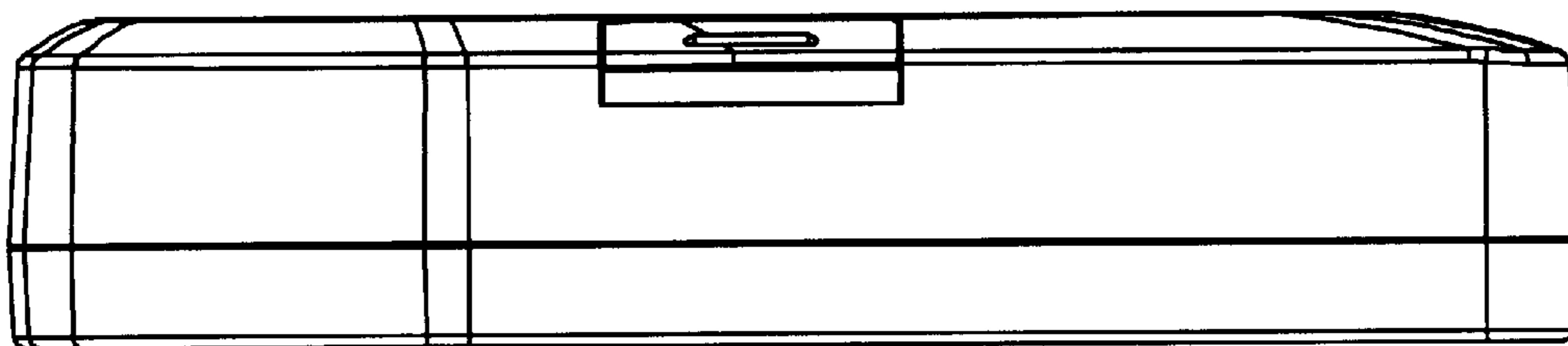


FIG. 5

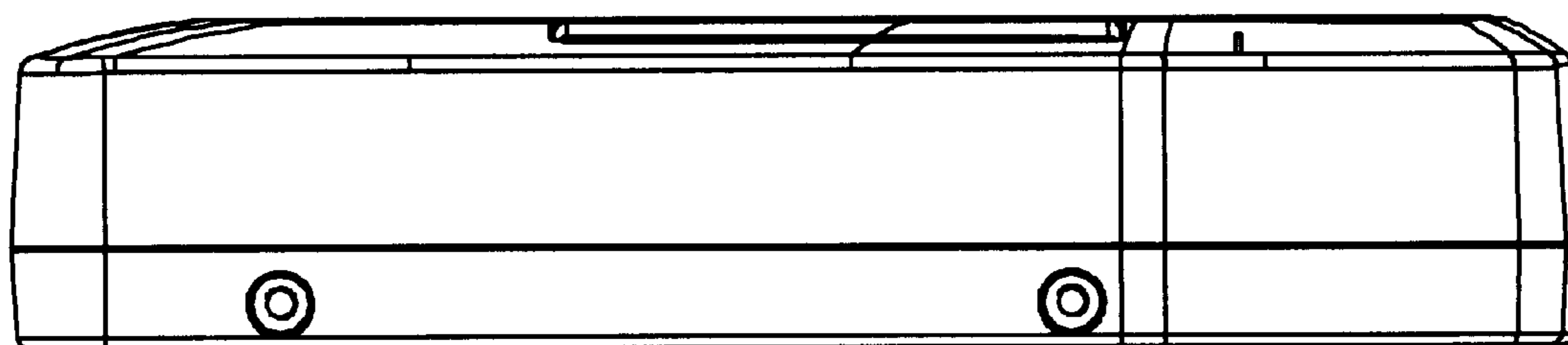


FIG. 6

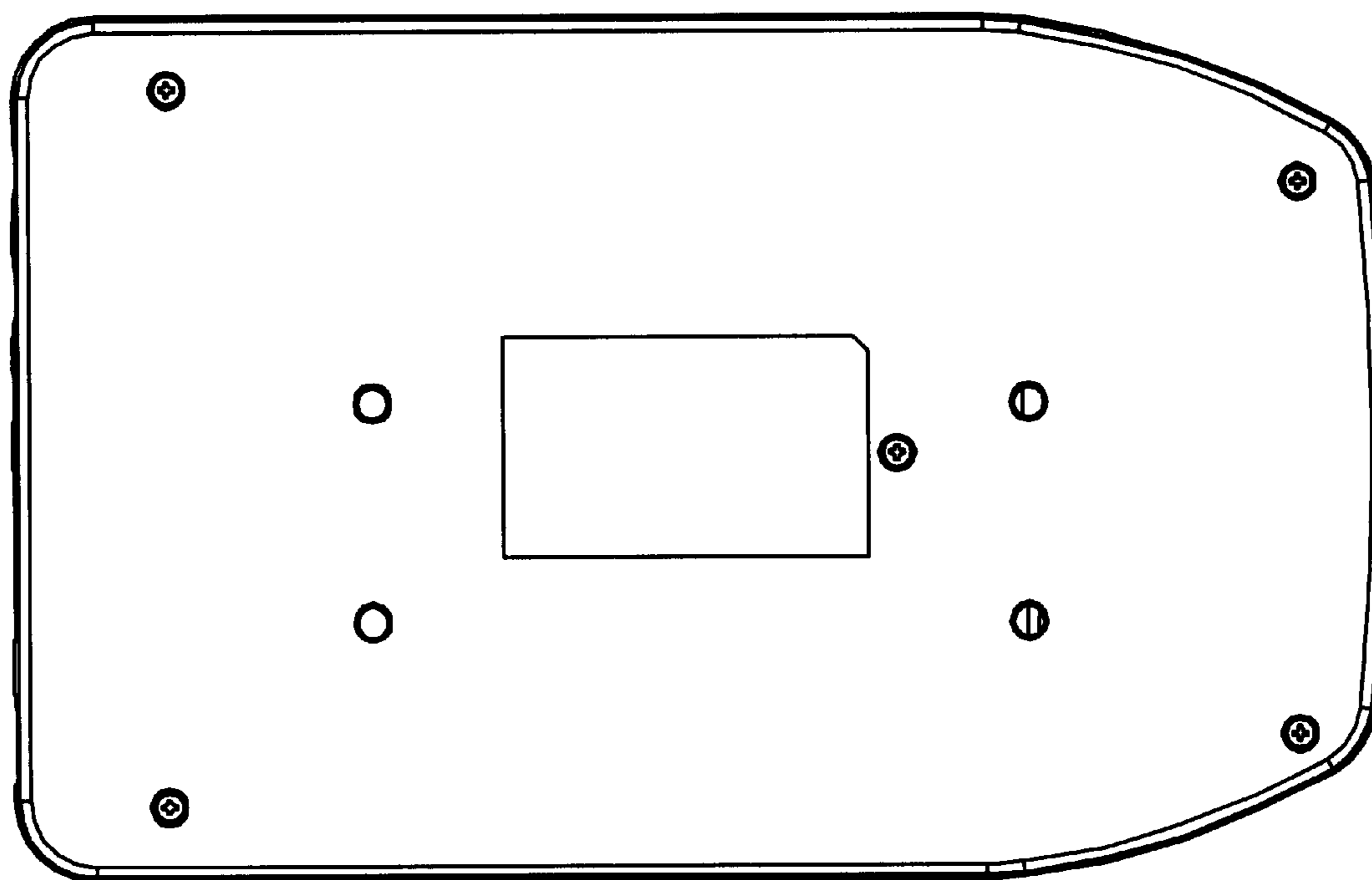


FIG. 7