



US00D534856S

(12) **United States Design Patent**
Herrera et al.

(10) **Patent No.:** **US D534,856 S**
(45) **Date of Patent:** **** Jan. 9, 2007**

(54) **TOOL BOX WITH DRAWERS SLIDABLY MOUNTED ON RAILS FOR PICKUP TRUCK**

(76) Inventors: **Cory A. Herrera**, 723 Lane St., Fort Morgan, CO (US) 80701; **Lorie A. Herrera**, 723 Lane St., Fort Morgan, CO (US) 80701

(**) **Term:** **14 Years**

(21) **Appl. No.:** **29/231,468**

(22) **Filed:** **Jun. 6, 2005**

(51) **LOC (8) Cl.** **12-99**

(52) **U.S. Cl.** **D12/414.1**

(58) **Field of Classification Search** D12/412-413, D12/414.1, 423-425; D3/272-273, 905, D3/294-295; D6/400; 296/26.09, 24.1, 37.1; 224/539-541, 400-404; 206/372-373, 349; 280/901

See application file for complete search history.

(56) **References Cited**

U.S. PATENT DOCUMENTS

D219,913 S *	2/1971	Malm et al.	D3/905
3,826,529 A	7/1974	Wood	296/37.6
4,215,896 A	8/1980	Drouin	296/37.6
D258,175 S *	2/1981	Hazeltine	D3/284
4,283,083 A	8/1981	Johnson	296/37.1
4,573,731 A	3/1986	Knaack et al.	296/37.6
4,705,315 A	11/1987	Cherry	296/37.1
D305,878 S *	2/1990	Schneider	D12/414.1
D316,493 S *	4/1991	Martino	D6/400
D320,372 S *	10/1991	Alberts	D12/414.1
5,088,636 A	2/1992	Barajas	224/281
D353,046 S *	12/1994	Whitaker	D3/273
5,387,064 A	2/1995	Cardinal	410/89

5,564,767 A	10/1996	Strepek	296/26.09
D411,164 S *	6/1999	Harris	D12/414.1
5,988,473 A *	11/1999	Hagan et al.	224/404
6,116,673 A *	9/2000	Clonan	296/37.6
6,318,781 B1 *	11/2001	McKee	296/26.09
D467,863 S *	12/2002	Boerret et al.	D12/423
D473,839 S *	4/2003	Atencio	D12/414.1
6,945,580 B1 *	9/2005	Hentes	296/37.6

* cited by examiner

Primary Examiner—Stacia Cadmus

(74) *Attorney, Agent, or Firm*—Donald R. Schoonover

(57) **CLAIM**

We claim the ornamental design for a tool box with drawers slidably mounted on rails for pickup truck, as shown and described.

DESCRIPTION

FIG. 1 is a perspective view of a tool box with drawers slidably mounted on rails for pickup truck showing our new design;

FIG. 2 is a front elevational view thereof;

FIG. 3 is a right side elevational view thereof, the left side elevational view thereof being a mirror image thereof;

FIG. 4 is a rear elevational view thereof;

FIG. 5 is a bottom plan view thereof;

FIG. 6 is a top plan view thereof; and,

FIG. 7 is a side view of the tool box with drawers slidably mounted on rails shown in its position of use at the rear of a pickup truck with a drawer shown open and with one of the rails removed for ease of illustration. The broken line depicts environmental structure for illustrative purposes only, forming no part of the claimed design.

1 Claim, 2 Drawing Sheets

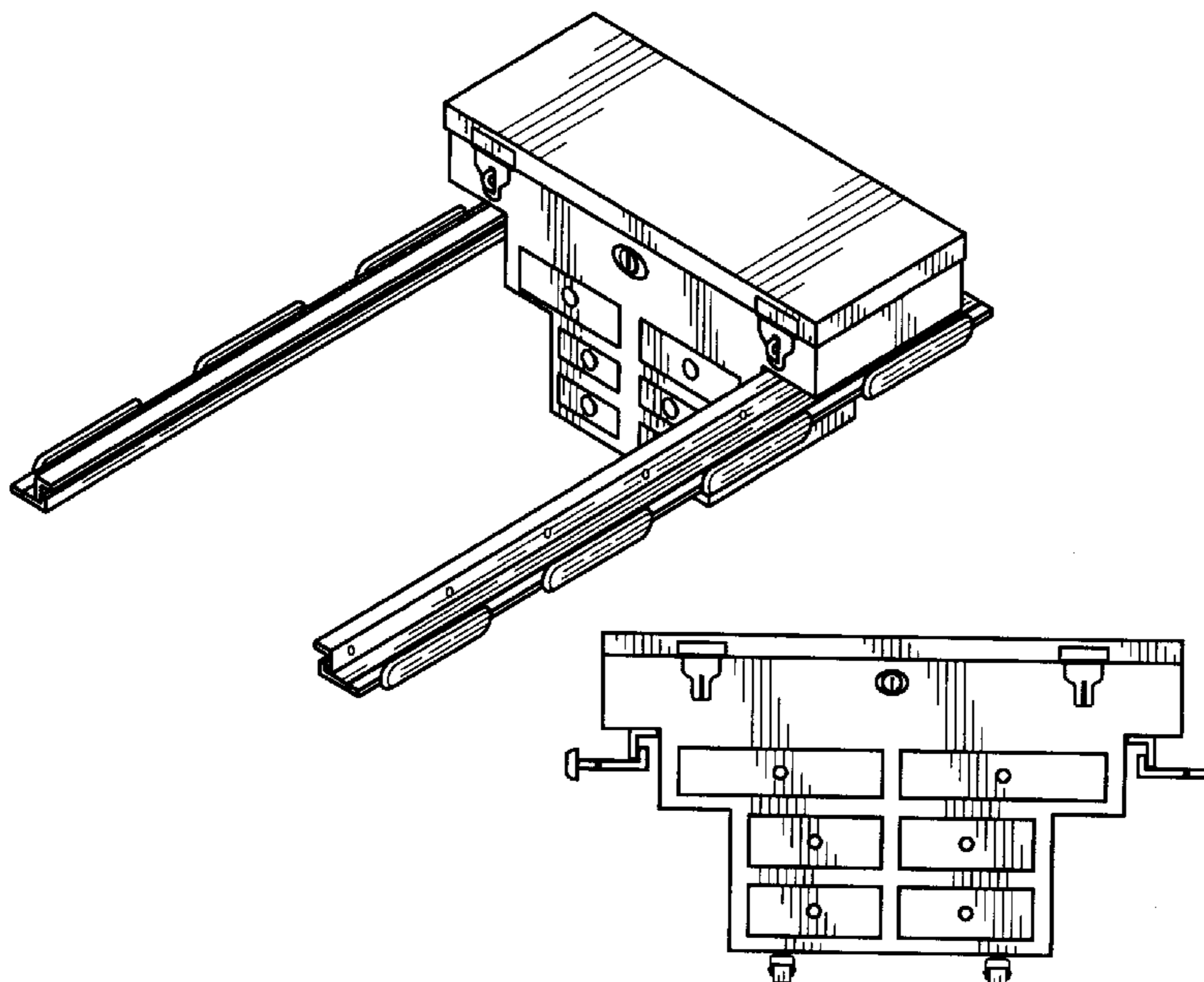


Fig. 1

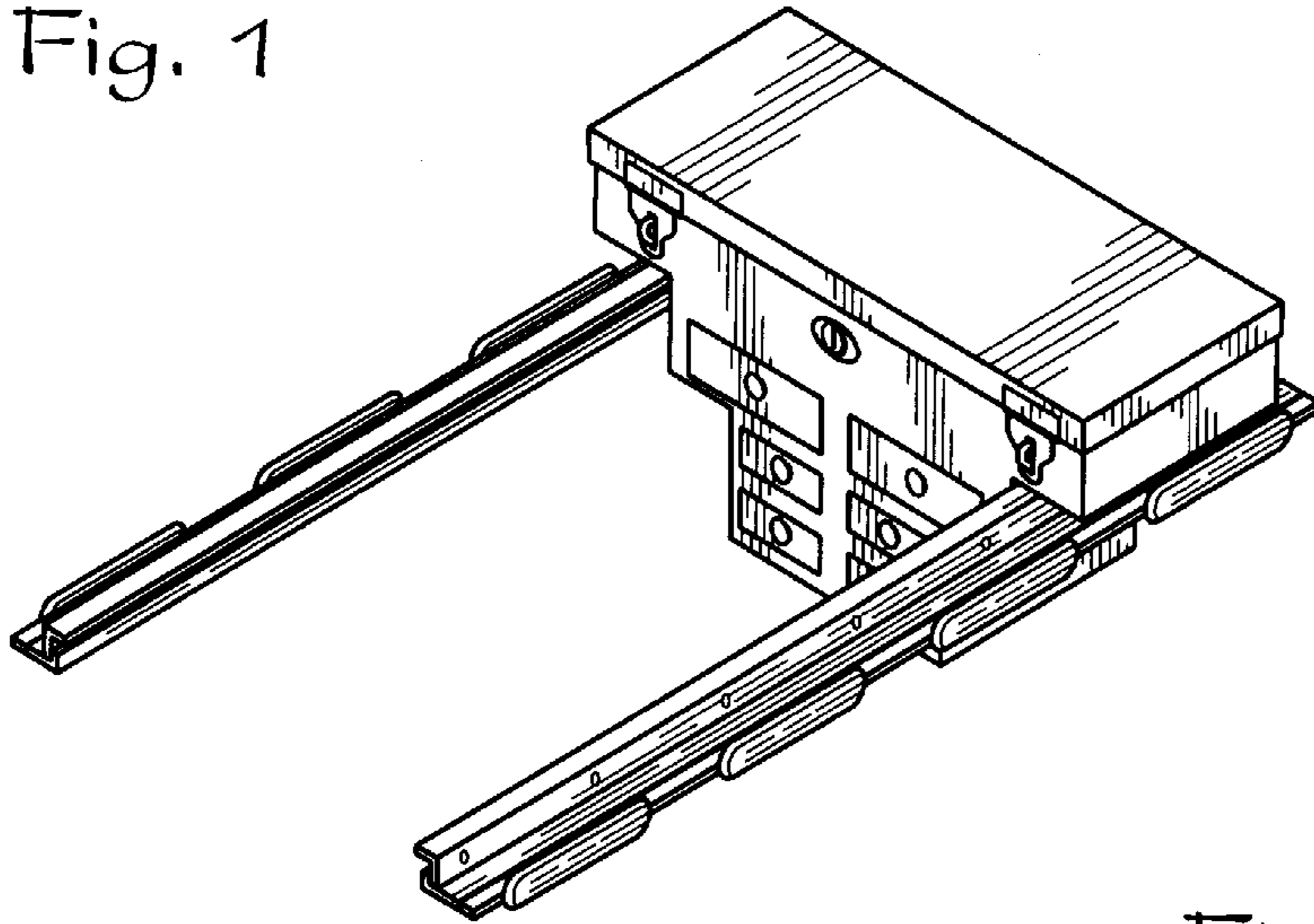


Fig. 2

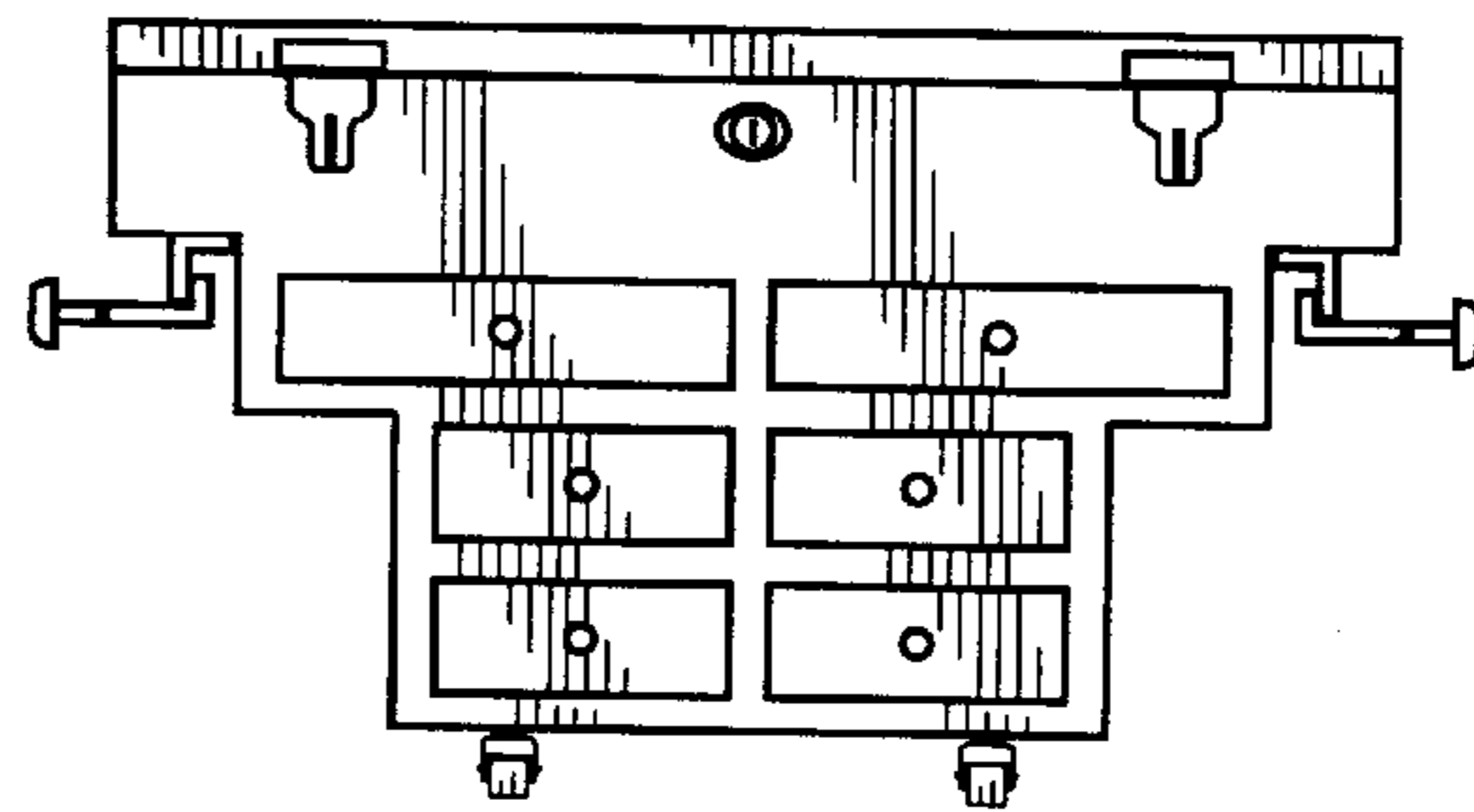


Fig. 3

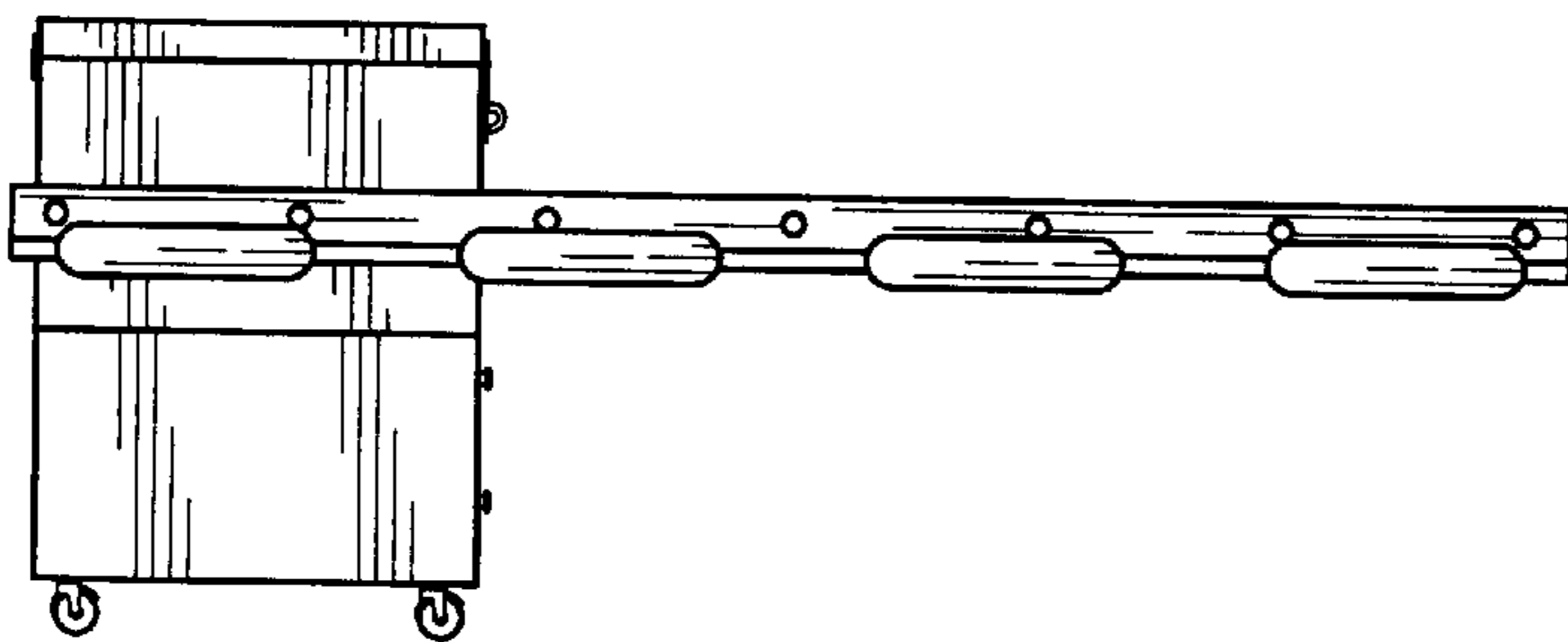


Fig. 4

