



US00D534853S

(12) **United States Design Patent**
Apodaca

(10) **Patent No.:** **US D534,853 S**

(45) **Date of Patent:** **** Jan. 9, 2007**

(54) **WHEEL SHIELD FOR TIRE DETAILING**

D504,652 S * 5/2005 Woodberry D12/213
D516,494 S * 3/2006 Apodaca et al. D12/213

(76) Inventor: **Louis Apodaca**, 1744 Yale St., Chula Vista, CA (US) 91913

* cited by examiner

(**) Term: **14 Years**

Primary Examiner—Stacia Cadmus

(74) *Attorney, Agent, or Firm*—Richard D. Clarke

(21) Appl. No.: **29/263,046**

(57) **CLAIM**

(22) Filed: **Jul. 14, 2006**

I claim the ornamental design for a wheel shield for tire detailing, as shown and described.

(51) **LOC (8) Cl.** **12-16**

DESCRIPTION

(52) **U.S. Cl.** **D12/213**

(58) **Field of Classification Search** D12/213;
D9/452, 454; D7/391–392.1; 301/37.101,
301/37.103, 37.42, 37.104; 118/504, 505
See application file for complete search history.

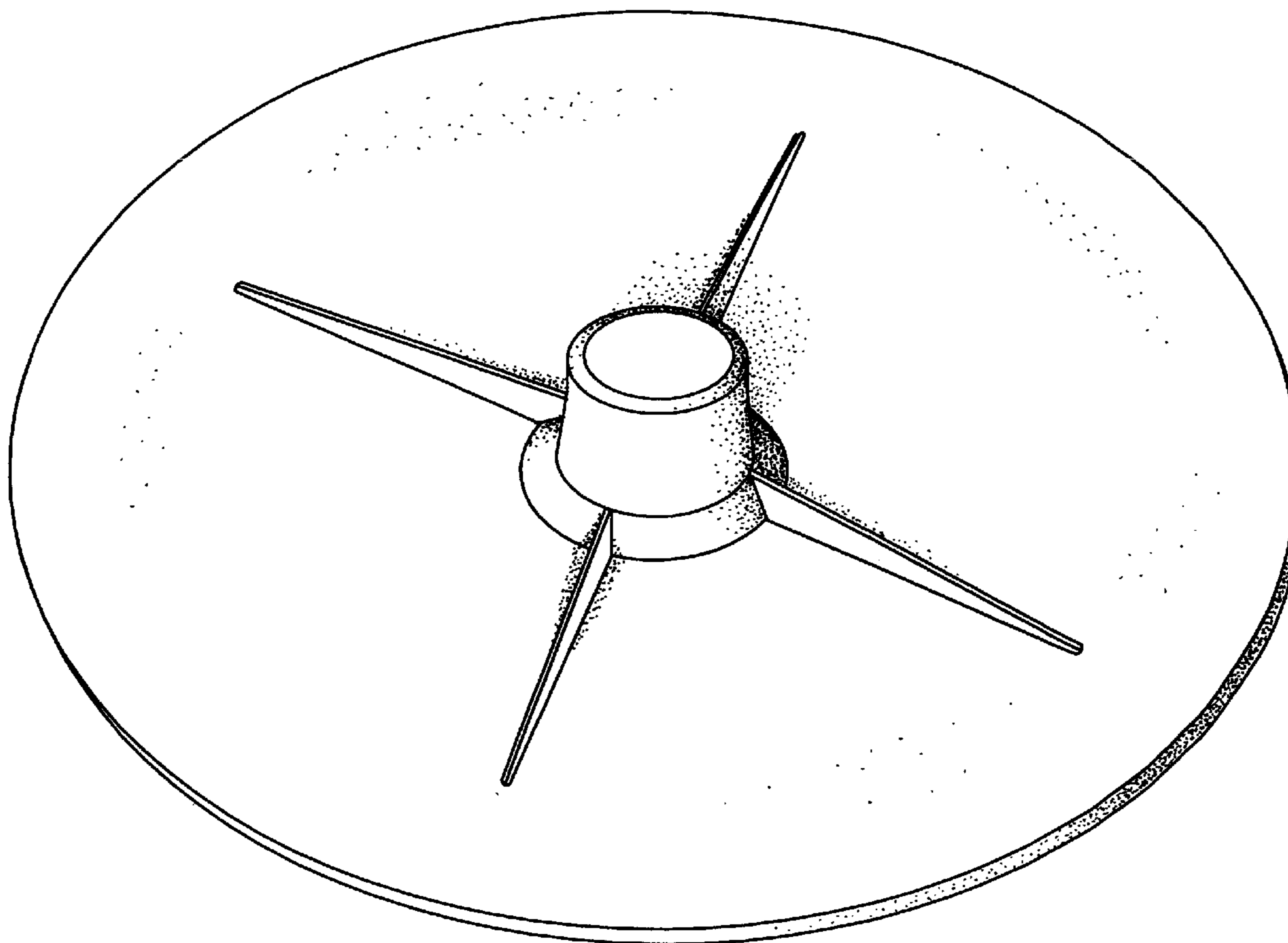
FIG. 1 is a perspective view of a wheel shield for tire detailing, showing my new design;
FIG. 2 is a top view of a wheel shield for tire detailing, showing the four supports;
FIG. 3 is a bottom view of a wheel shield for tire detailing;
FIG. 4 is a side elevational view of a wheel shield for tire detailing, looking directly at and down one of the supports;
and,
FIG. 5 is a side elevational view of a wheel shield for tire detailing, looking directly half way between two of the supports.

(56) **References Cited**

U.S. PATENT DOCUMENTS

D387,725 S * 12/1997 Cochran et al. D12/213
D477,802 S * 7/2003 Williams D12/213
D479,179 S * 9/2003 Lian D12/213

1 Claim, 5 Drawing Sheets



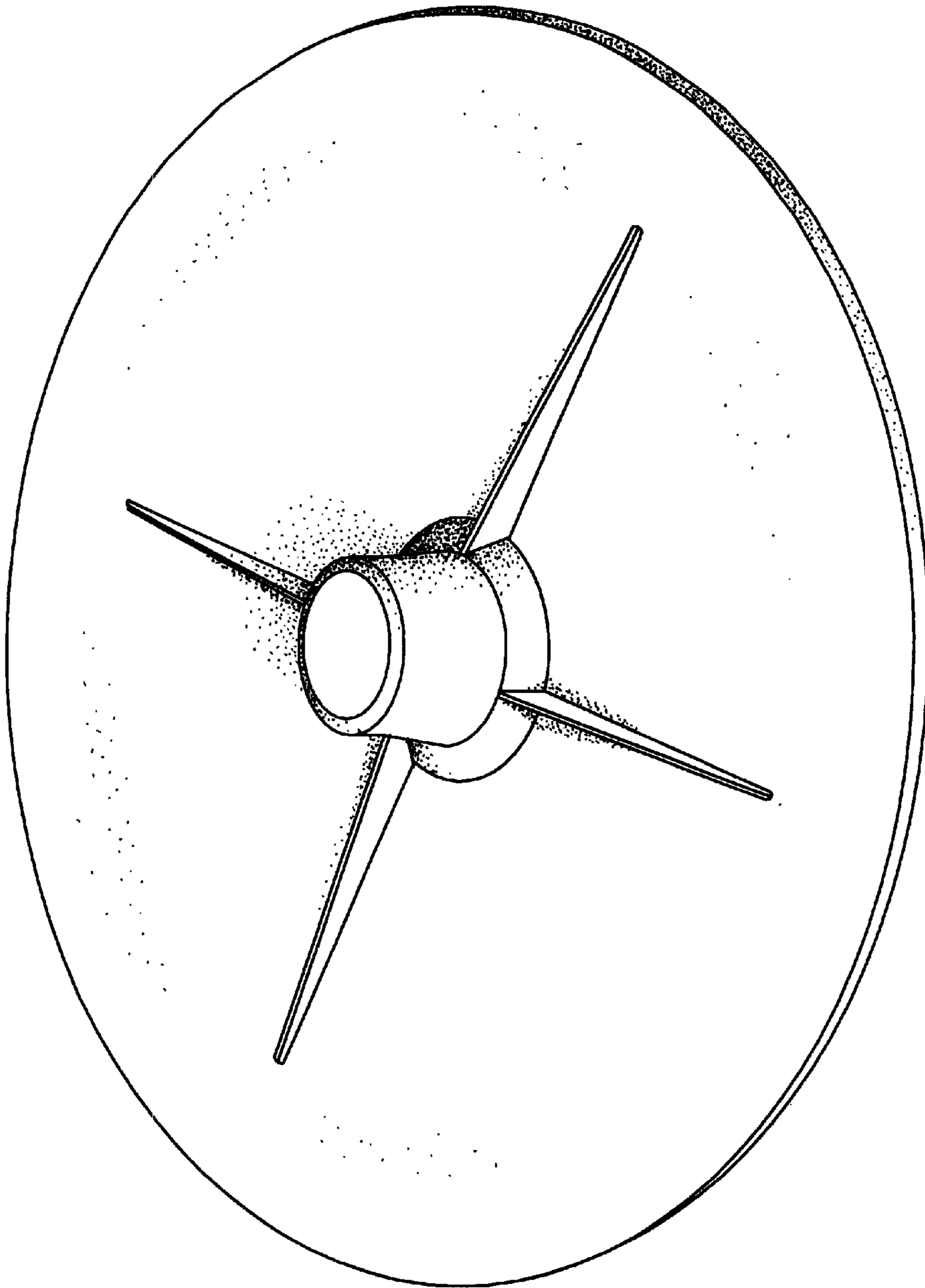


Fig. 1

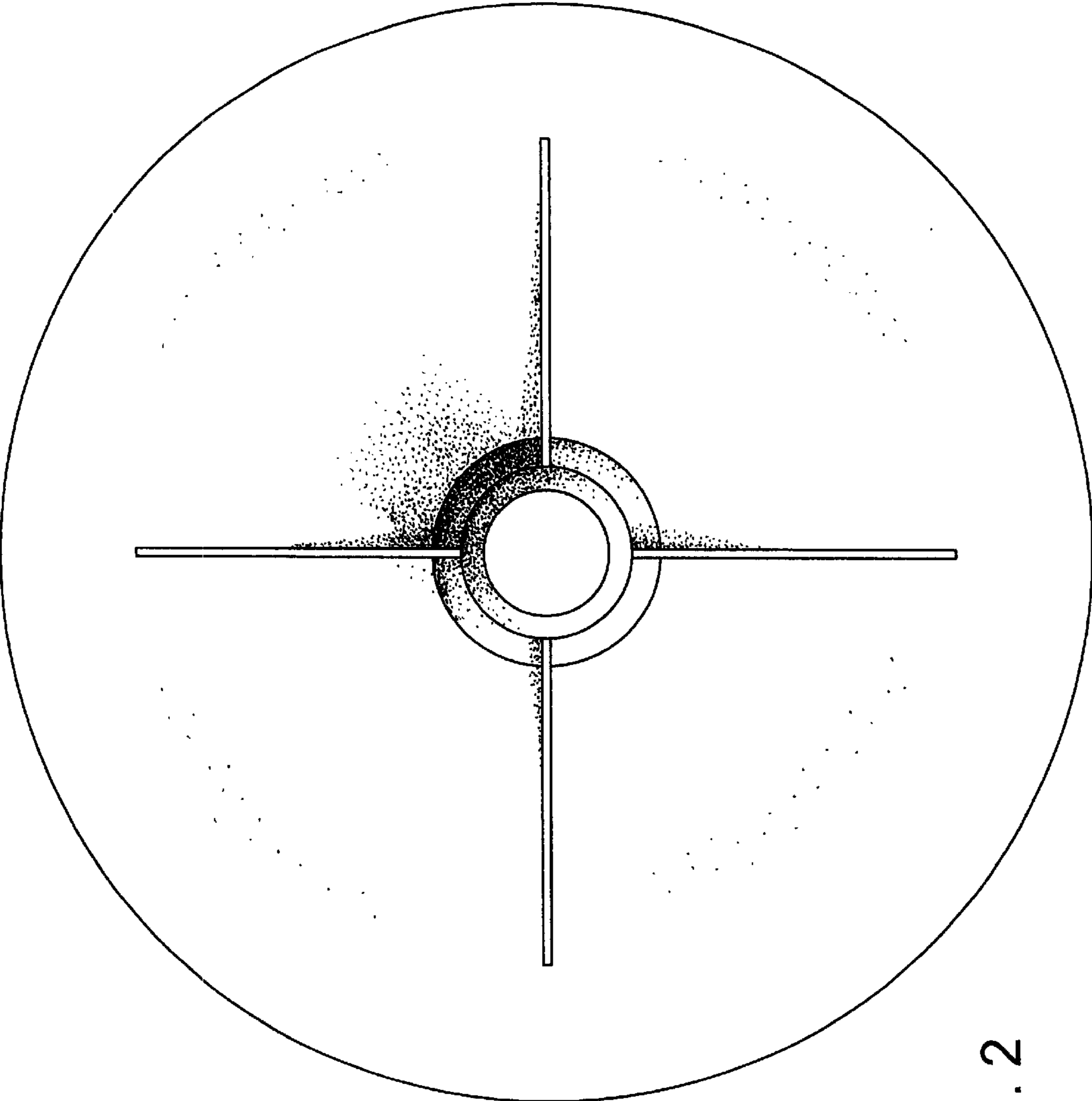


Fig. 2

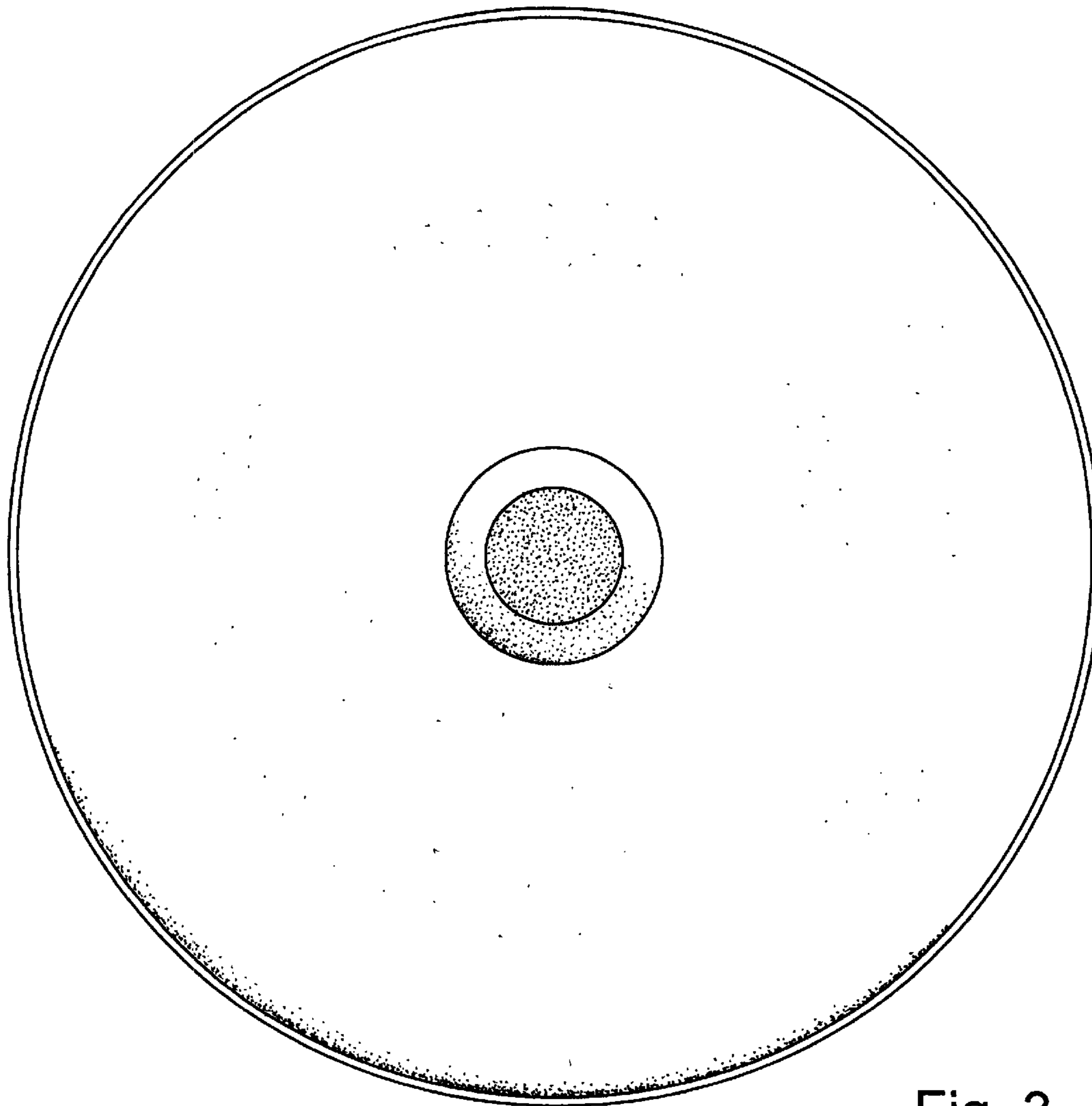


Fig. 3

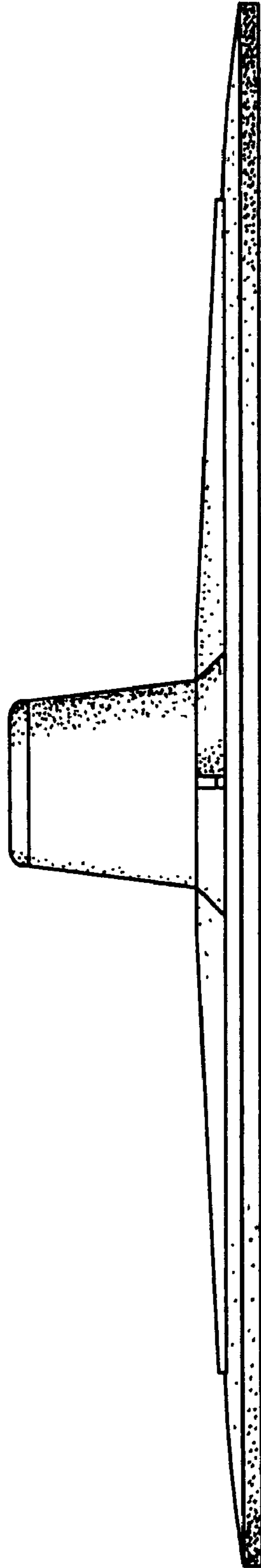


Fig. 4

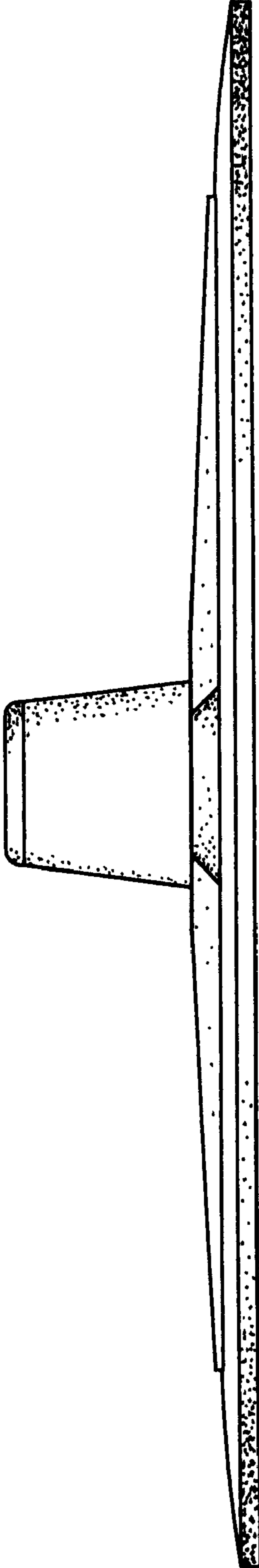


Fig. 5