



US00D534849S

(12) **United States Design Patent**
Tamagawa et al.

(10) **Patent No.:** **US D534,849 S**

(45) **Date of Patent:** **** Jan. 9, 2007**

(54) **DOOR LINING FOR AUTOMOBILE**

(75) Inventors: **Teruyoshi Tamagawa**, Saitama-ken (JP); **Takeshi Ohba**, Saitama-ken (JP)

(73) Assignee: **Honda Motor Co., Ltd.**, Tokyo (JP)

(**) Term: **14 Years**

(21) Appl. No.: **29/261,950**

(22) Filed: **Jun. 23, 2006**

(30) **Foreign Application Priority Data**

Dec. 28, 2005 (JP) 2005-38784

(51) **LOC (8) Cl.** **12-08**

(52) **U.S. Cl.** **D12/195**

(58) **Field of Classification Search** D12/195,
D12/190; 49/501-502; 296/37.1, 37.13, 149,
296/153, 146.1

See application file for complete search history.

(56) **References Cited**

U.S. PATENT DOCUMENTS

- D415,461 S * 10/1999 Sacco et al. D12/195
- D435,003 S * 12/2000 Tsay D12/195
- D463,343 S * 9/2002 Siegert D12/195
- D489,304 S * 5/2004 Schowalter et al. D12/195

- D497,337 S * 10/2004 Takagi et al. D12/195
- D518,763 S * 4/2006 Sudo D12/195
- D519,429 S * 4/2006 Miyashita D12/195
- D519,896 S * 5/2006 Sudo D12/195
- D521,917 S * 5/2006 Takagi et al. D12/195

* cited by examiner

Primary Examiner—Stacia Cadmus

(74) *Attorney, Agent, or Firm*—Arent Fox PLLC

(57) **CLAIM**

The ornamental design for a door lining for automobile, as shown and described.

DESCRIPTION

FIG. 1 is a perspective view from the front left side of a door lining for automobile.

FIG. 2 is a perspective view from the front right side thereof.

FIG. 3 is a front elevation view thereof.

FIG. 4 is a top plan view thereof.

FIG. 5 is a bottom plan view thereof.

FIG. 6 is a left side elevation view thereof; and,

FIG. 7 is a right side elevation view thereof.

The portion of the article shown in broken lines is for illustrative purpose only and forms no part of the claimed design.

1 Claim, 7 Drawing Sheets

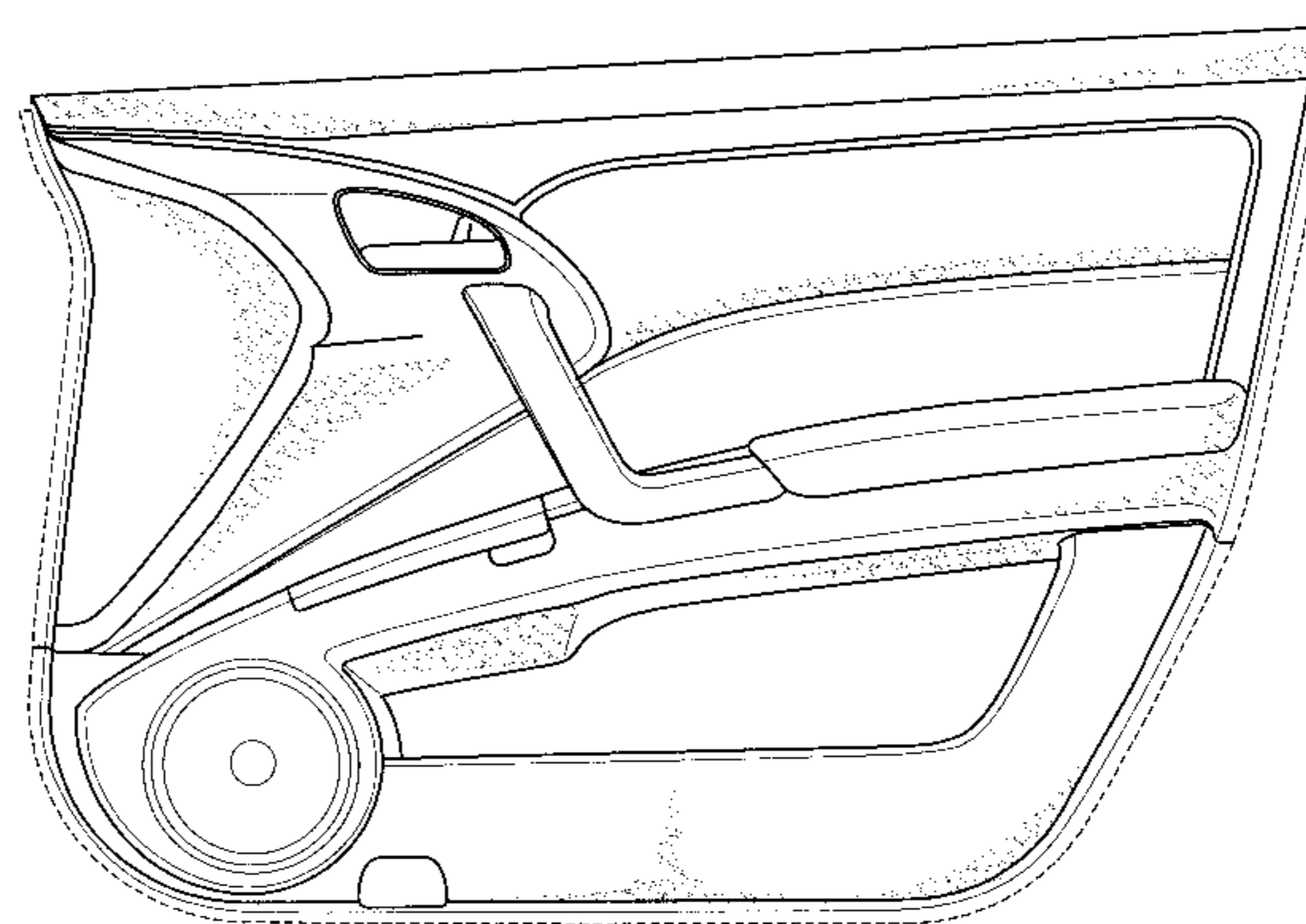
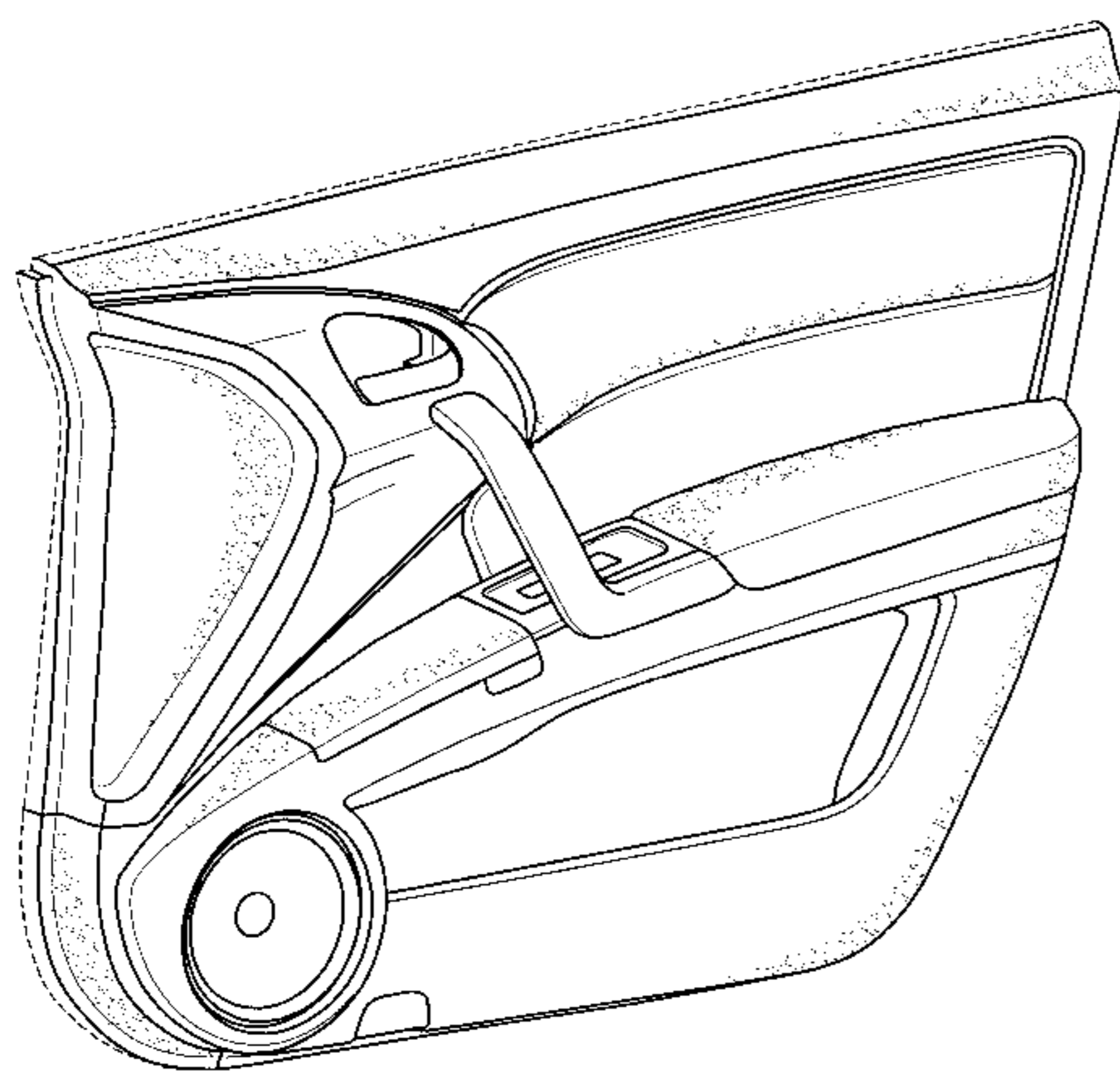


FIG. 1

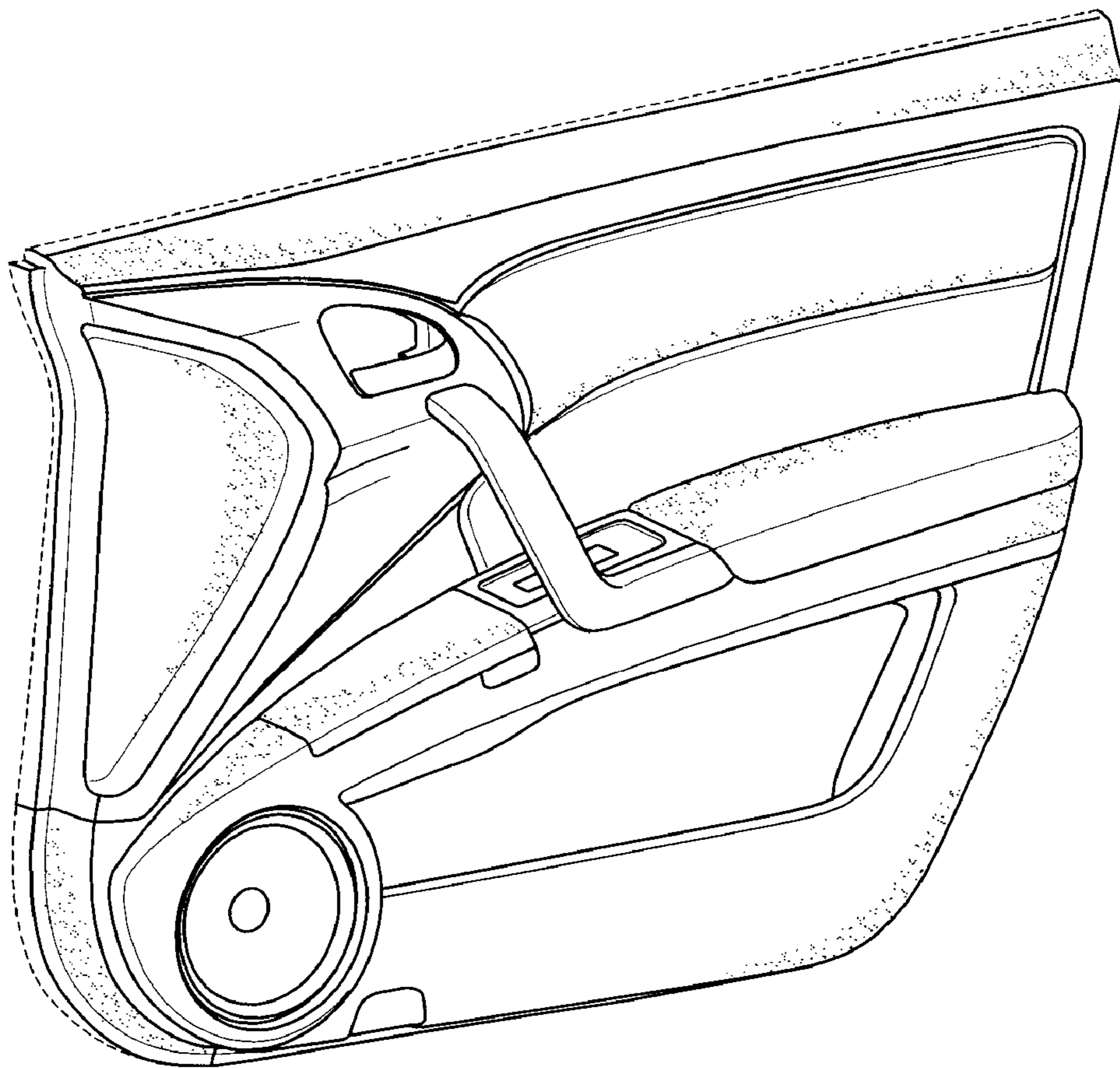


FIG. 2

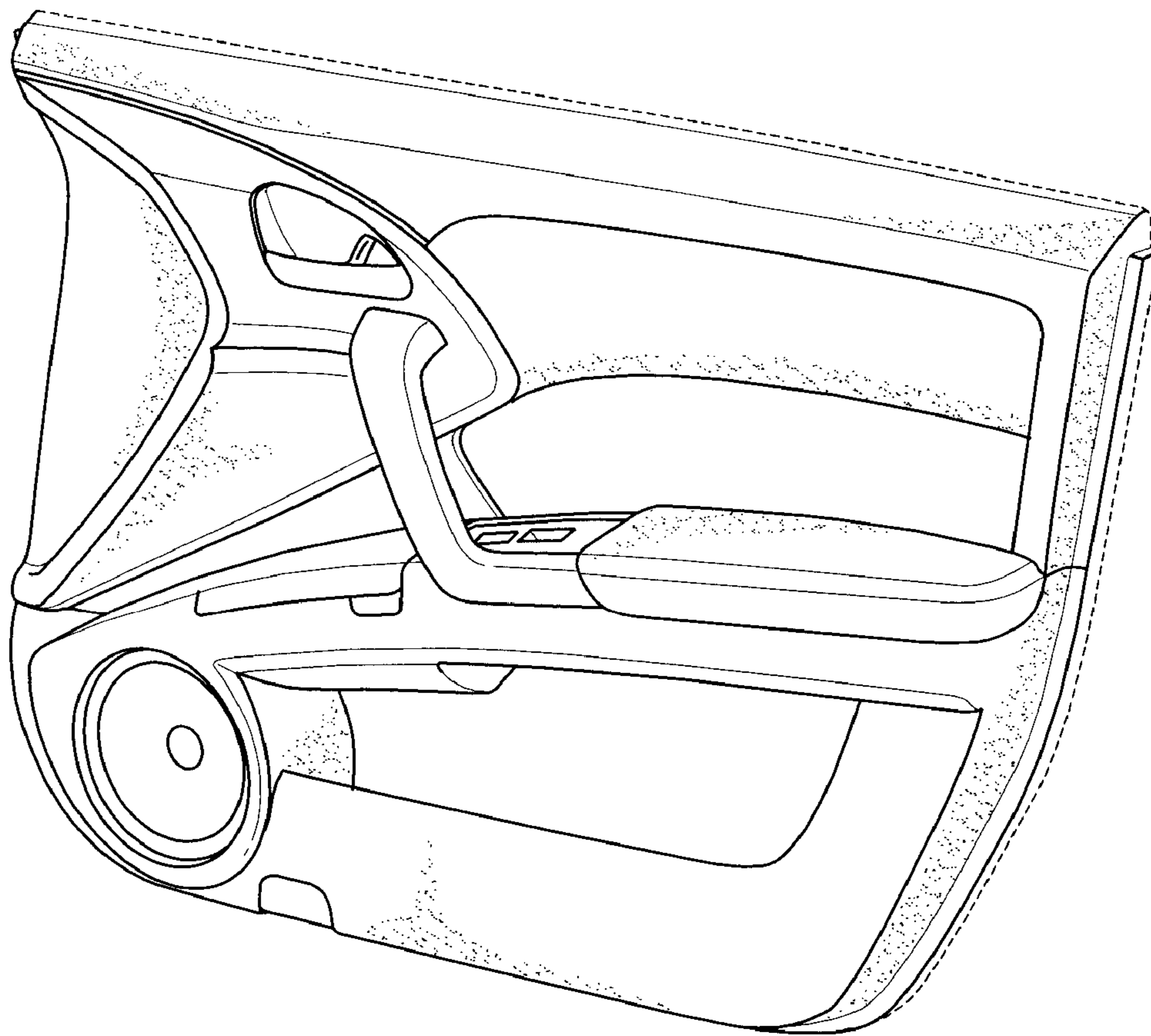


FIG. 3

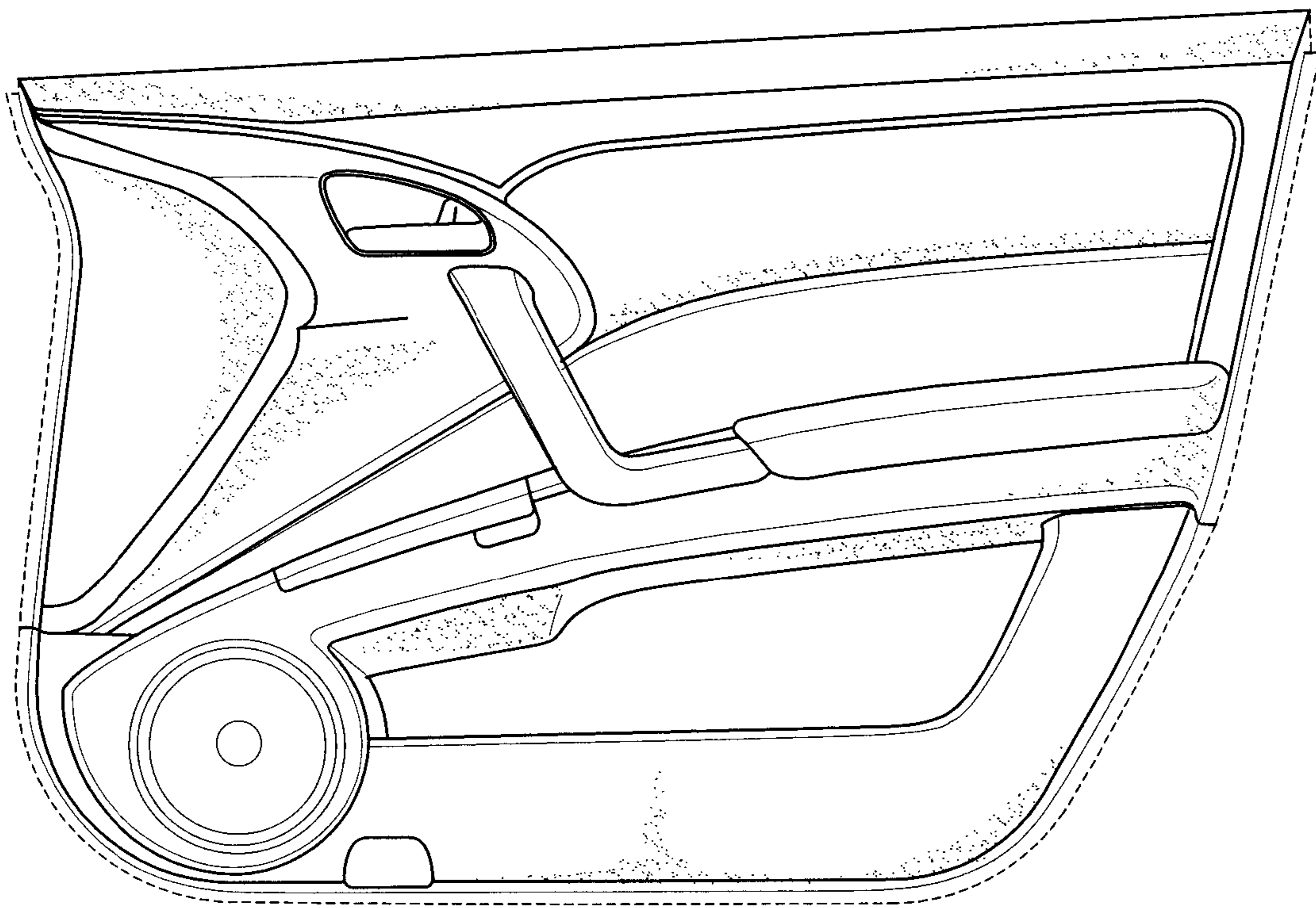


FIG. 4

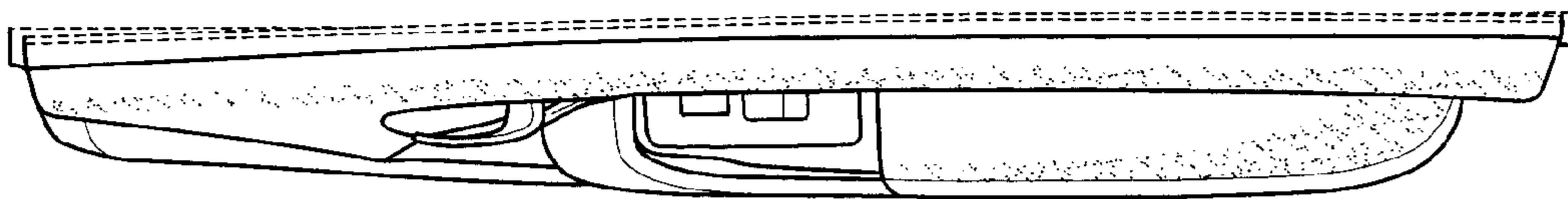


FIG. 5

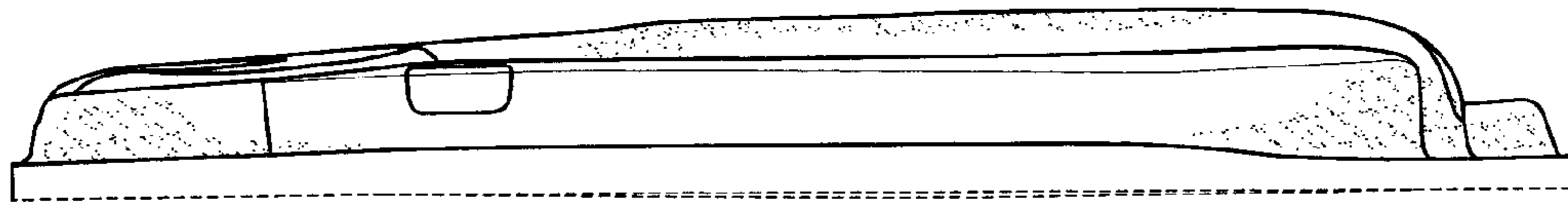


FIG. 6

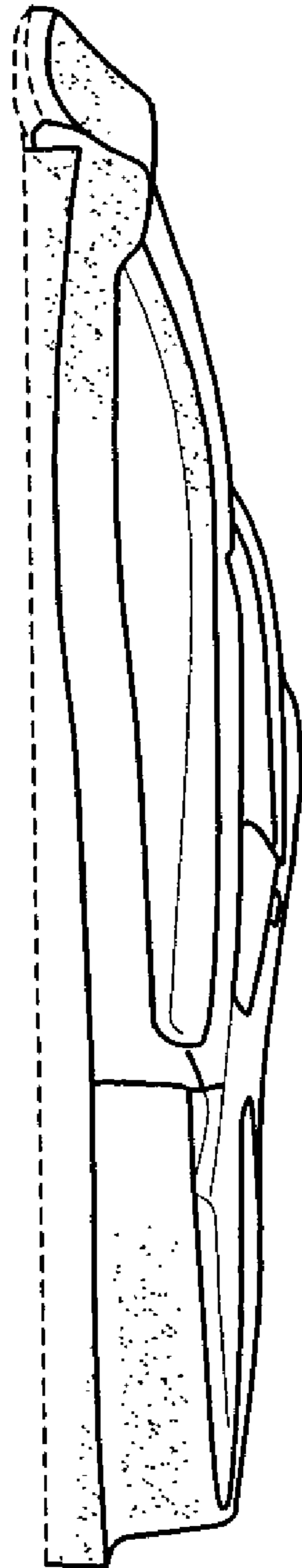


FIG. 7

