



US00D534841S

(12) **United States Design Patent**  
**Matei et al.**

(10) **Patent No.:** **US D534,841 S**

(45) **Date of Patent:** **\*\* Jan. 9, 2007**

(54) **VEHICLE GRILLE**

(75) Inventors: **Catalin Matei**, Redondo Beach, CA (US); **Roger Brown**, Corona, CA (US)

(73) Assignee: **Honda Motor Co., Ltd.**, Tokyo (JP)

(\*\*) Term: **14 Years**

(21) Appl. No.: **29/245,502**

(22) Filed: **Dec. 27, 2005**

(51) **LOC (8) Cl.** ..... **12-16**

(52) **U.S. Cl.** ..... **D12/163**

(58) **Field of Classification Search** ..... D12/163,  
D12/171, 90-92, 216, 169, 196; 180/68.1,  
180/68.6; 296/193.11; 293/102, 113, 115  
See application file for complete search history.

(56) **References Cited**

U.S. PATENT DOCUMENTS

D508,445 S \* 8/2005 Hall et al. .... D12/163

D513,482 S \* 1/2006 Hattori ..... D12/163  
D514,989 S \* 2/2006 Young ..... D12/163  
D525,575 S \* 7/2006 Matei et al. .... D12/196

\* cited by examiner

*Primary Examiner*—Melody N. Brown

(74) *Attorney, Agent, or Firm*—Plumsea Law Group, LLC

(57) **CLAIM**

The ornamental design for a vehicle grille, as shown and described.

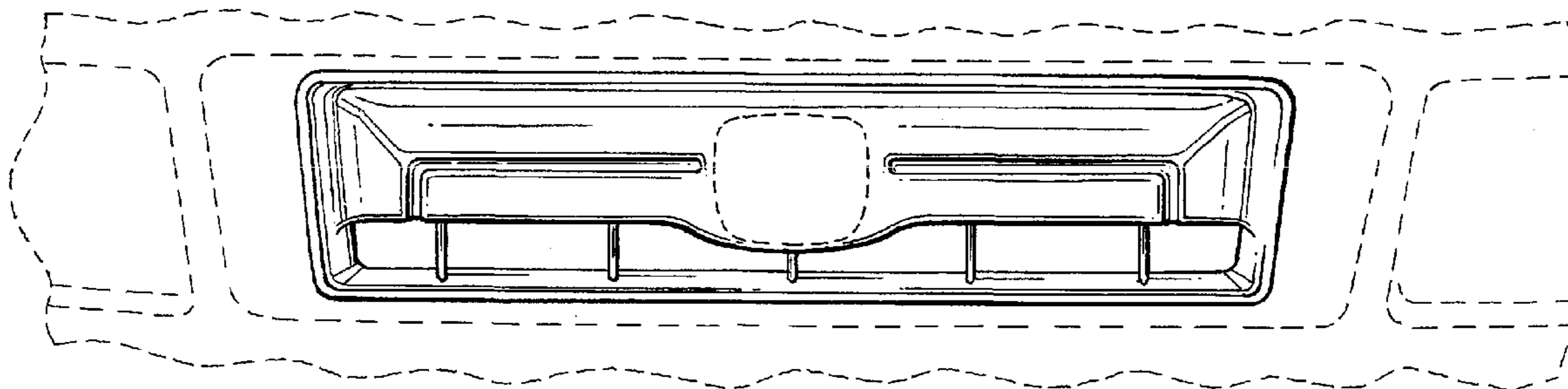
**DESCRIPTION**

FIG. 1 is a front elevational view of a vehicle grille showing our new design; and,

FIG. 2 is a perspective view thereof.

The broken line showings of the central marquee and the surrounding areas of the vehicle are for illustrative purposes only and form no part of the claimed design.

**1 Claim, 1 Drawing Sheet**



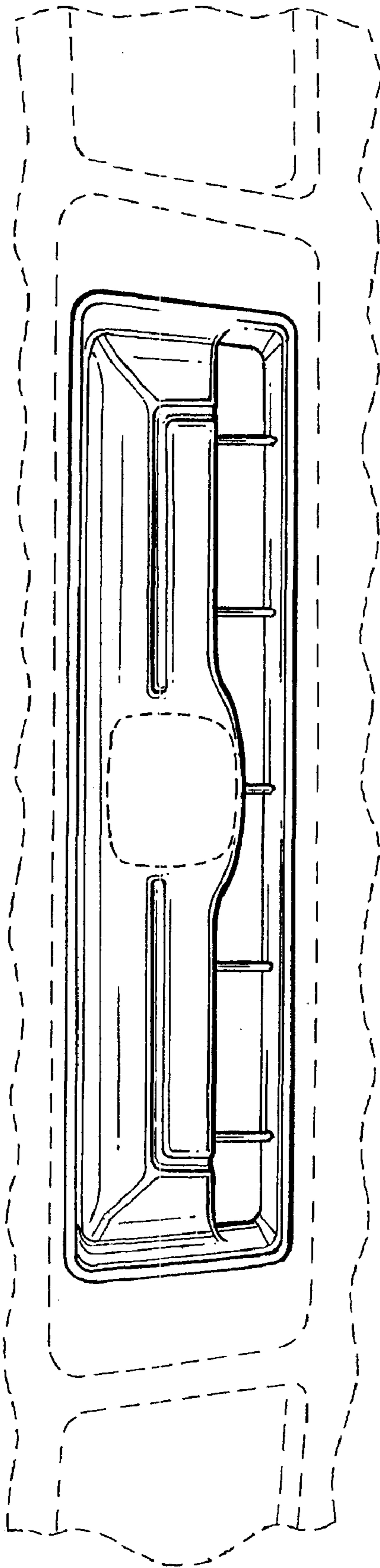


FIG. 1

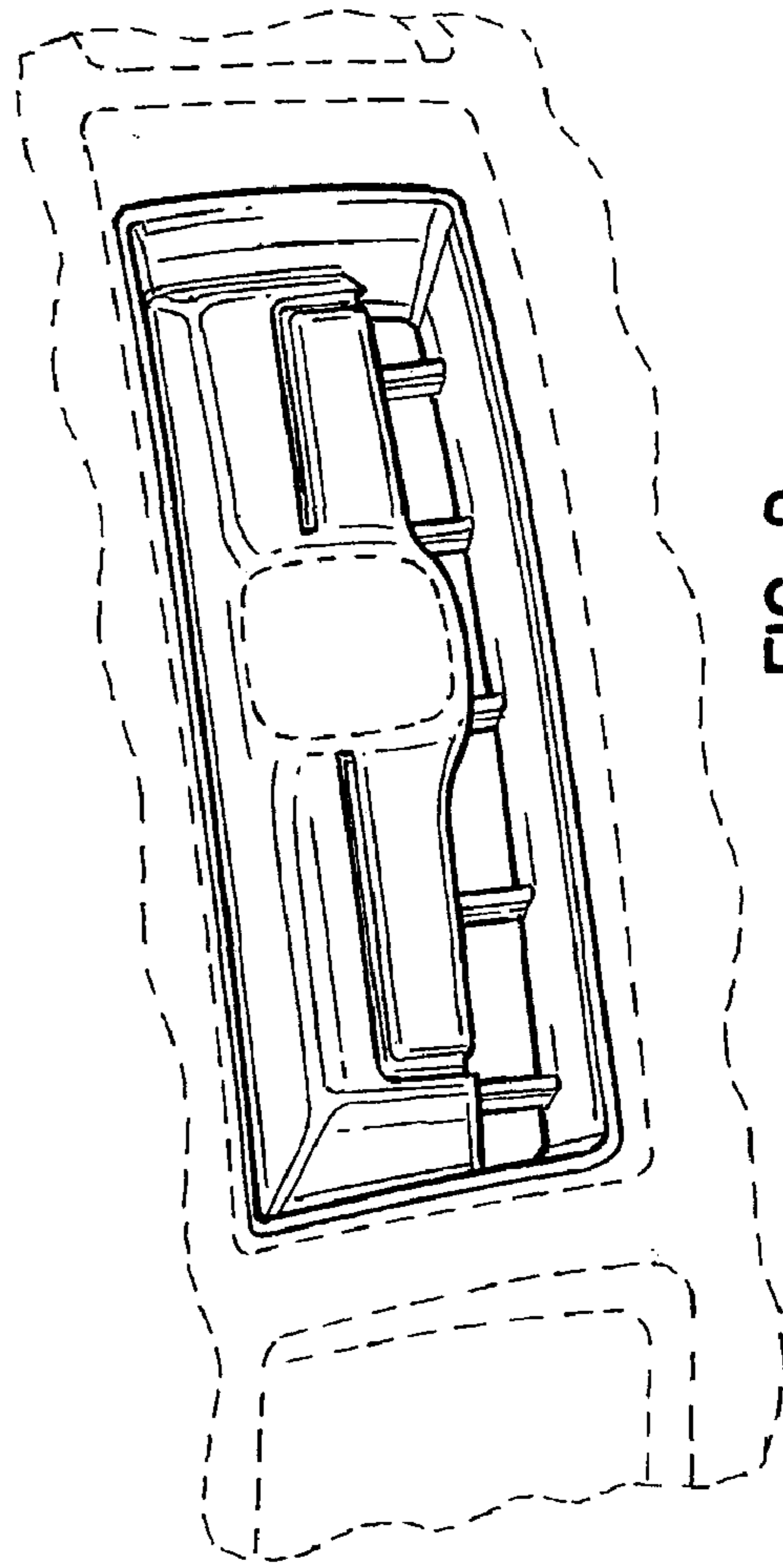


FIG. 2