



US00D534839S

(12) **United States Design Patent**  
**Martin**

(10) **Patent No.:** **US D534,839 S**

(45) **Date of Patent:** **\*\* Jan. 9, 2007**

(54) **MOTORIZED TRICYCLE**

(75) Inventor: **Alan Brian Martin**, Hyde (GB)

(73) Assignee: **Martin Conquest Limited**, Hyde (GB)

(\*\*) Term: **14 Years**

(21) Appl. No.: **29/244,569**

(22) Filed: **Dec. 12, 2005**

(51) **LOC (8) Cl.** ..... **12-11**

(52) **U.S. Cl.** ..... **D12/110**

(58) **Field of Classification Search** ..... D12/110,  
D12/112, 85, 107; 180/219, 220, 210-217,  
180/16; 296/78.1, 181.1, 181.4; 280/202,  
280/282, 288.2

See application file for complete search history.

(56) **References Cited**

**U.S. PATENT DOCUMENTS**

D517,959 S \* 3/2006 Pickering ..... D12/110

\* cited by examiner

*Primary Examiner*—Alan P. Douglas

*Assistant Examiner*—Linda Brooks

(74) *Attorney, Agent, or Firm*—Sonnenschein Nath & Rosenthal LLP; Brian R. McGinley

(57) **CLAIM**

The ornamental design for a motorized tricycle, as shown and described.

**DESCRIPTION**

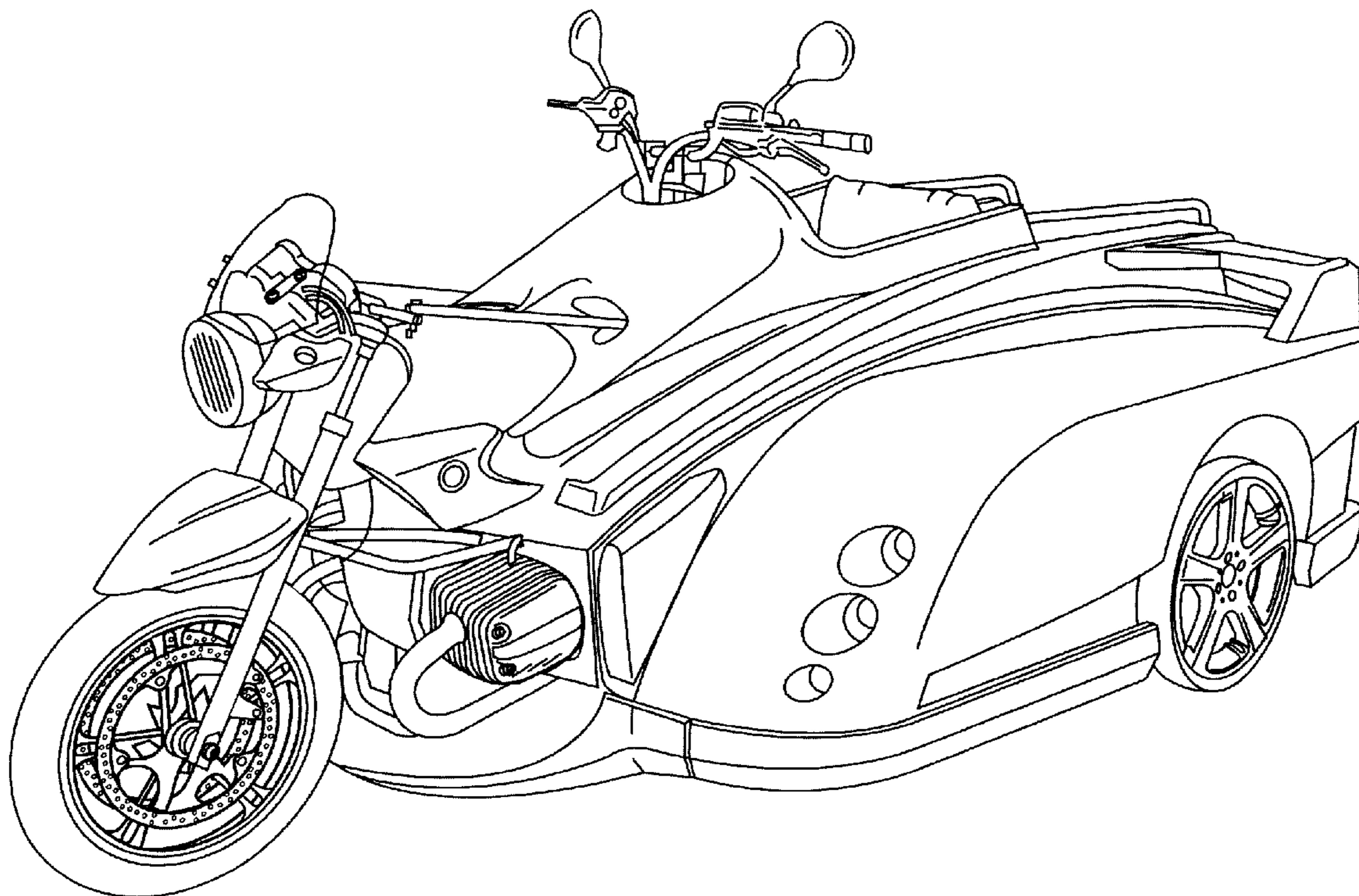
FIG. 1 is a front, perspective view of a motorized tricycle showing the new design;

FIG. 2 is a front view of the motorized tricycle shown in FIG. 1;

FIG. 3 is a left side elevational view of the motorized tricycle shown in FIG. 1 (the right side elevational view of the motorized tricycle is a mirror image of the view shown in FIG. 3); and,

FIG. 4 is a rear view of the motorized tricycle shown in FIG. 1.

**1 Claim, 4 Drawing Sheets**



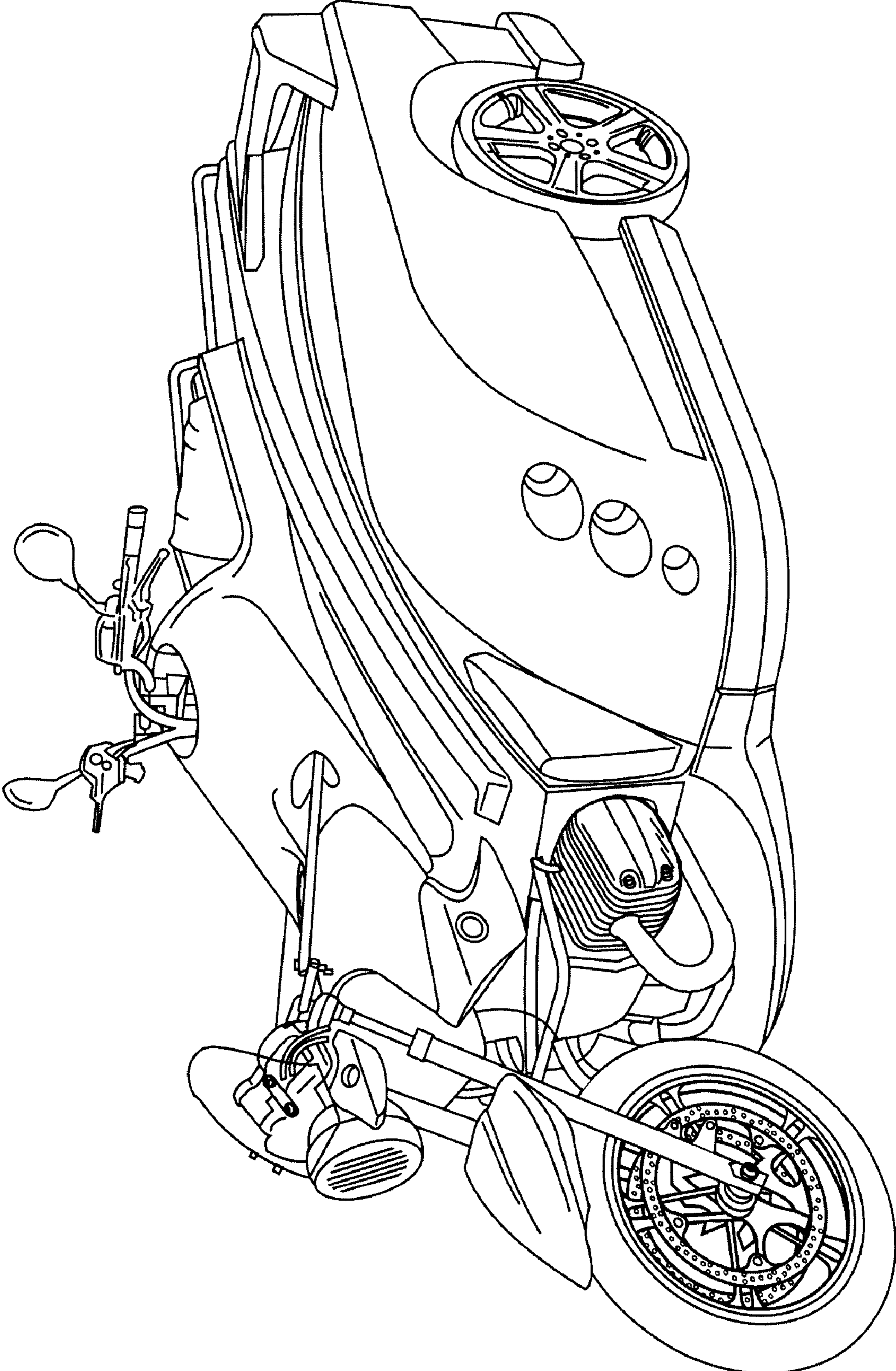


FIG. 1

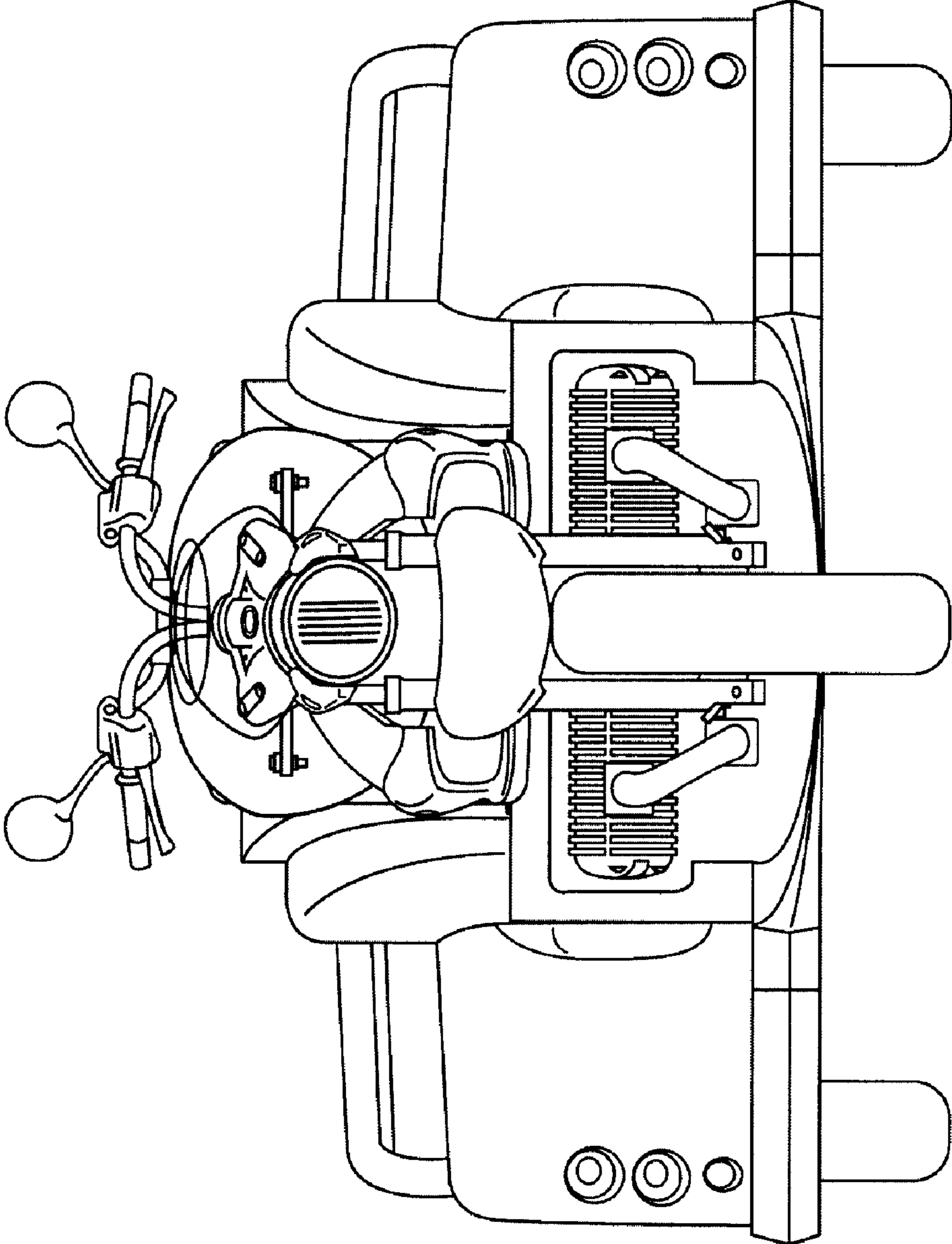


FIG. 2

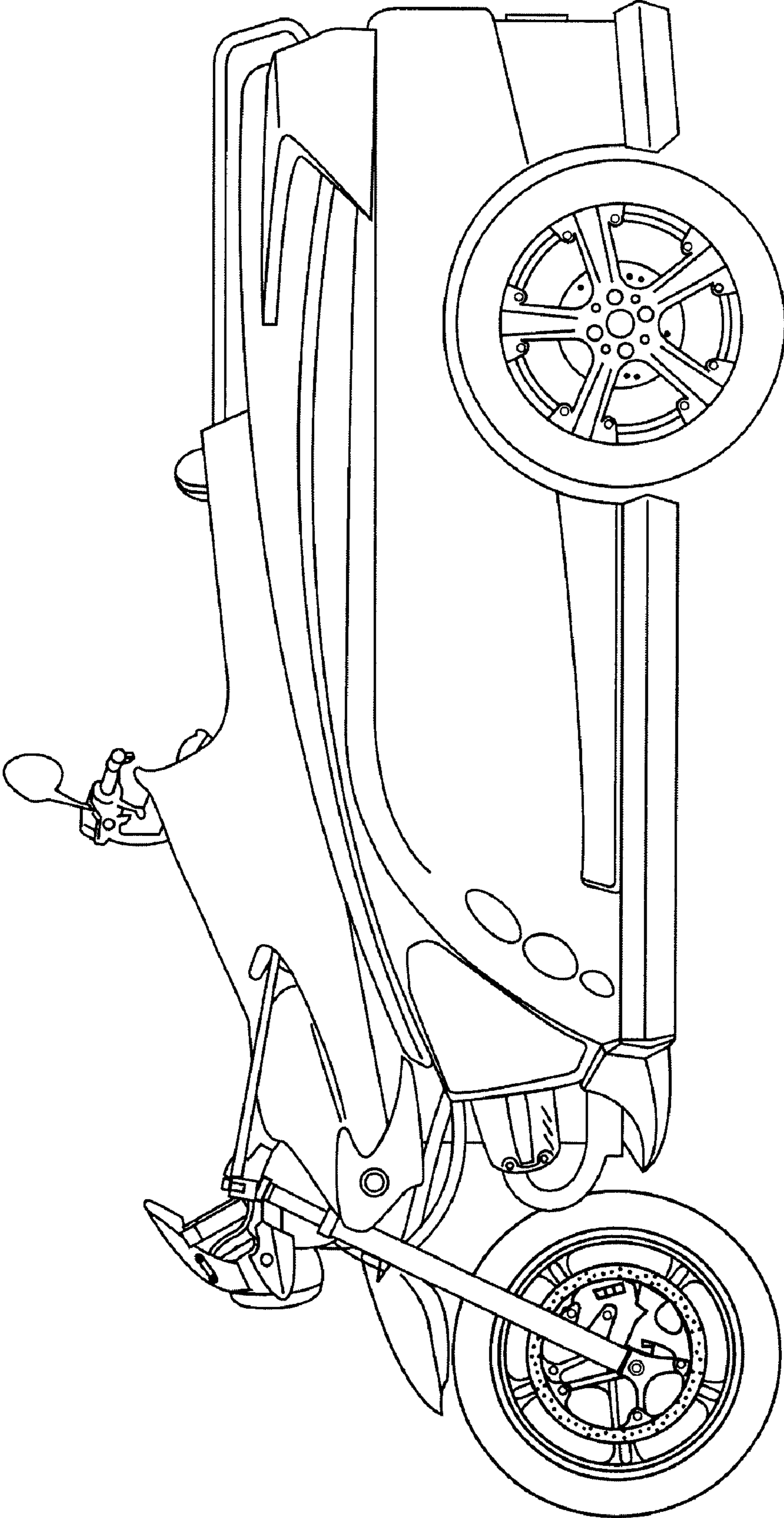


FIG. 3

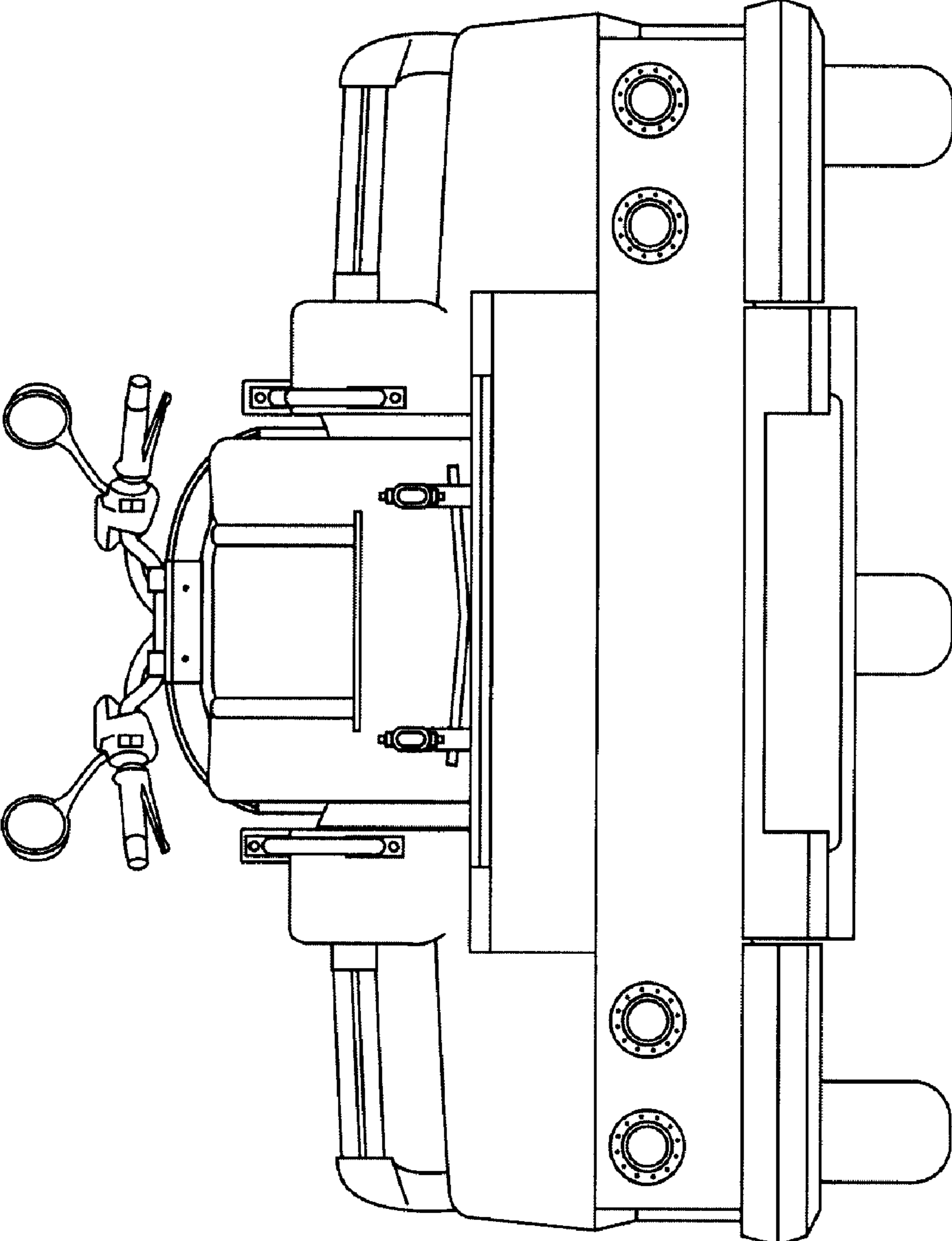


FIG. 4