

US00D534838S

(12) **United States Design Patent**
Kato et al.

(10) **Patent No.:** **US D534,838 S**
(45) **Date of Patent:** **** Jan. 9, 2007**

(54) **MOTOR SCOOTER**

(75) Inventors: **Hidezumi Kato**, Hamamatsu (JP);
Shuji Matsuzawa, Hamamatsu (JP)

(73) Assignee: **Suzuki Motor Corporation** (JP)

(**) Term: **14 Years**

(21) Appl. No.: **29/244,300**

(22) Filed: **Dec. 7, 2005**

(30) **Foreign Application Priority Data**

Jun. 7, 2005 (JP) 2005-016434

(51) **LOC (8) Cl.** **12-11**

(52) **U.S. Cl.** **D12/110**

(58) **Field of Classification Search** D12/110;
180/219, 220, 225, 229
See application file for complete search history.

(56) **References Cited**

U.S. PATENT DOCUMENTS

D488,102 S * 4/2004 Shimokawa et al. D12/110
D493,122 S * 7/2004 Huang et al. D12/110

D519,061 S * 4/2006 Matsuno et al. D12/110

* cited by examiner

Primary Examiner—Alan P. Douglas

Assistant Examiner—Linda Brooks

(74) *Attorney, Agent, or Firm*—Foley Hoag LLP

(57) **CLAIM**

The ornamental design for a motor scooter, as shown and described.

DESCRIPTION

FIG. 1 is a front view of a motor scooter showing my new design;

FIG. 2 is a rear view thereof;

FIG. 3 is a right side elevational view thereof;

FIG. 4 is a left side elevational view thereof;

FIG. 5 is a top view thereof;

FIG. 6 is a bottom view thereof;

FIG. 7 is a front perspective view of the right side thereof;

FIG. 8 is a front perspective view of the left side thereof;

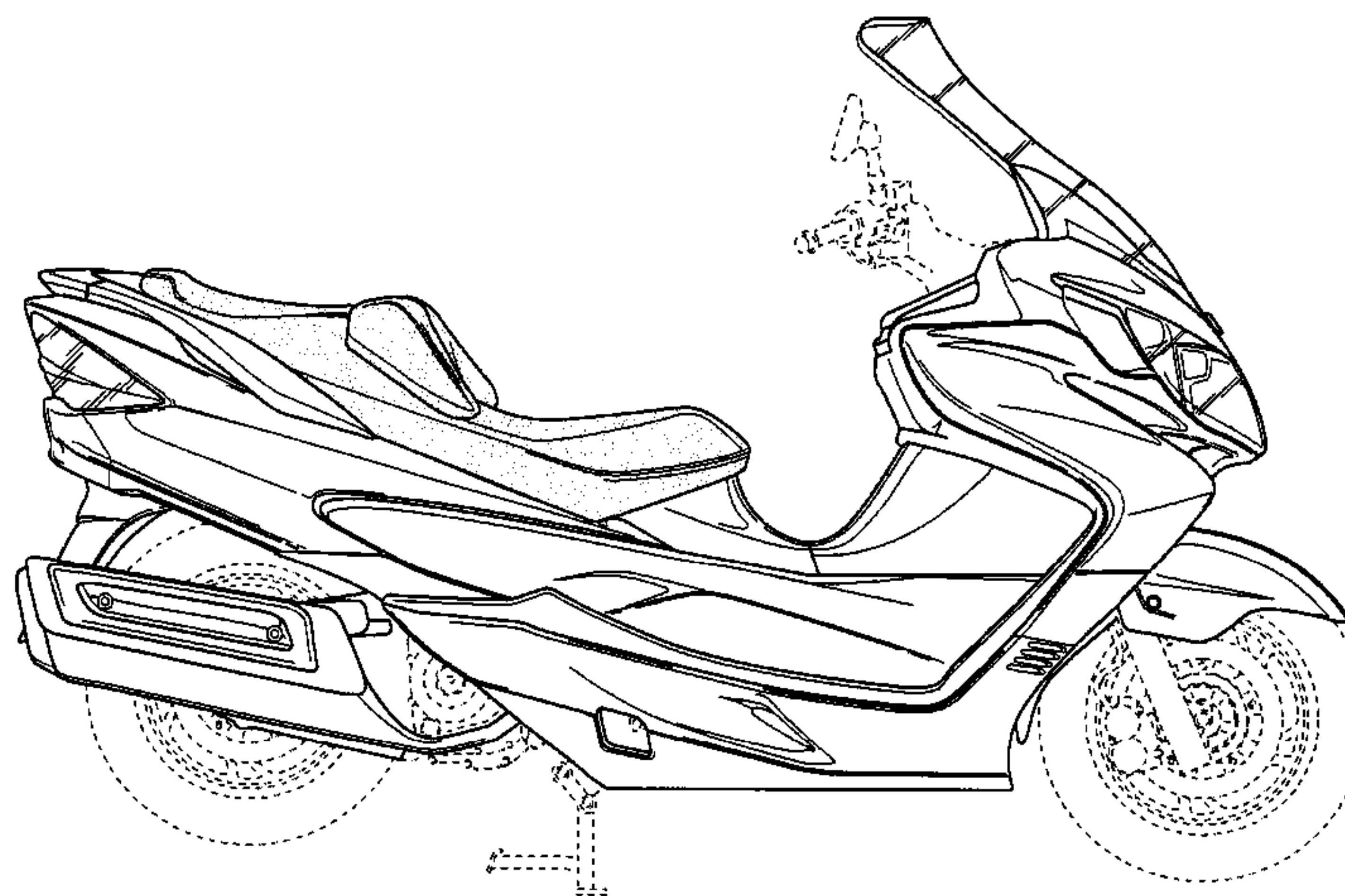
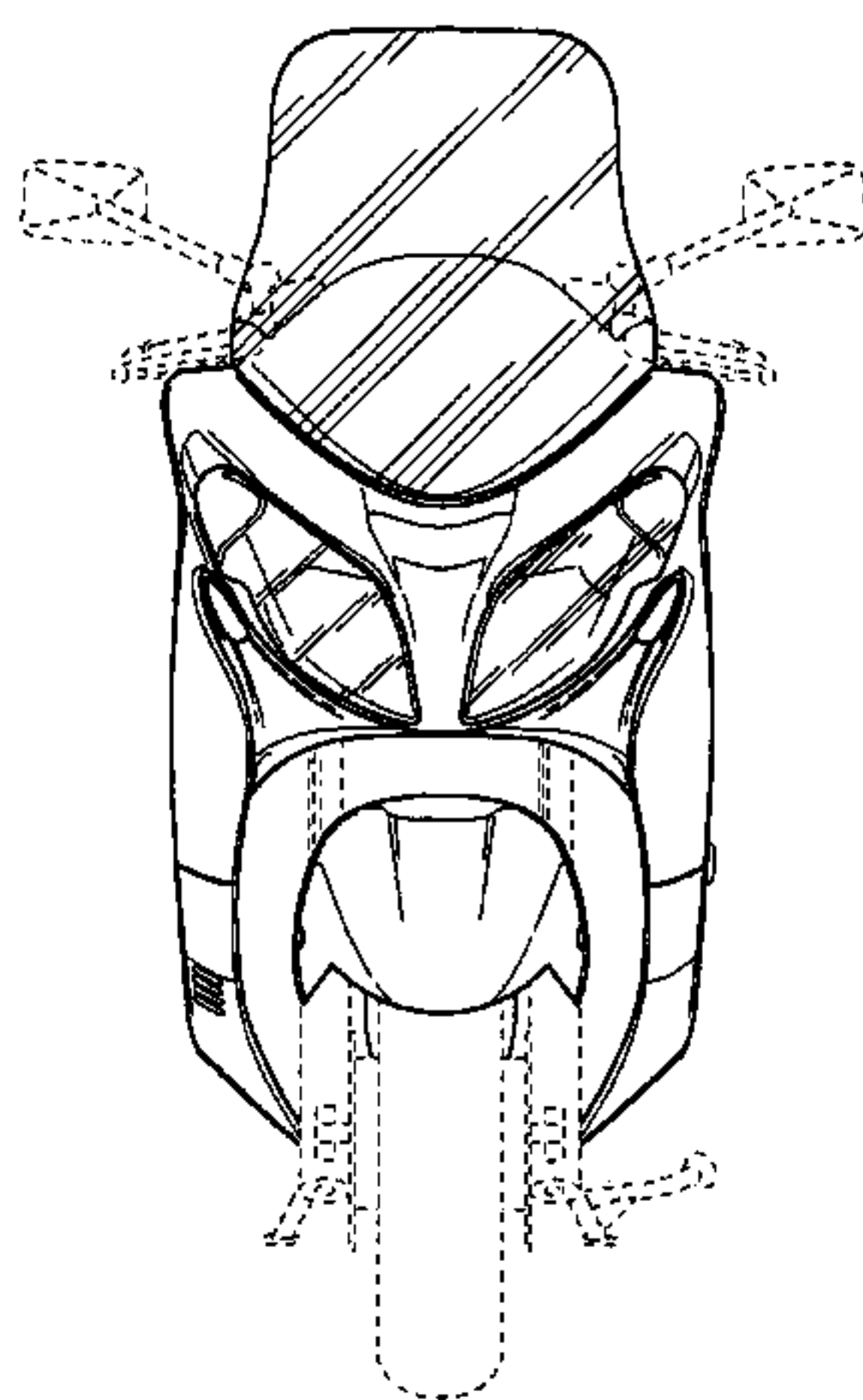
FIG. 9 is a rear perspective view of the right side thereof;

and,

FIG. 10 is a rear perspective view of the left side thereof.

The broken lines shown are for illustrative purposes only and form no part of the claimed design.

1 Claim, 10 Drawing Sheets



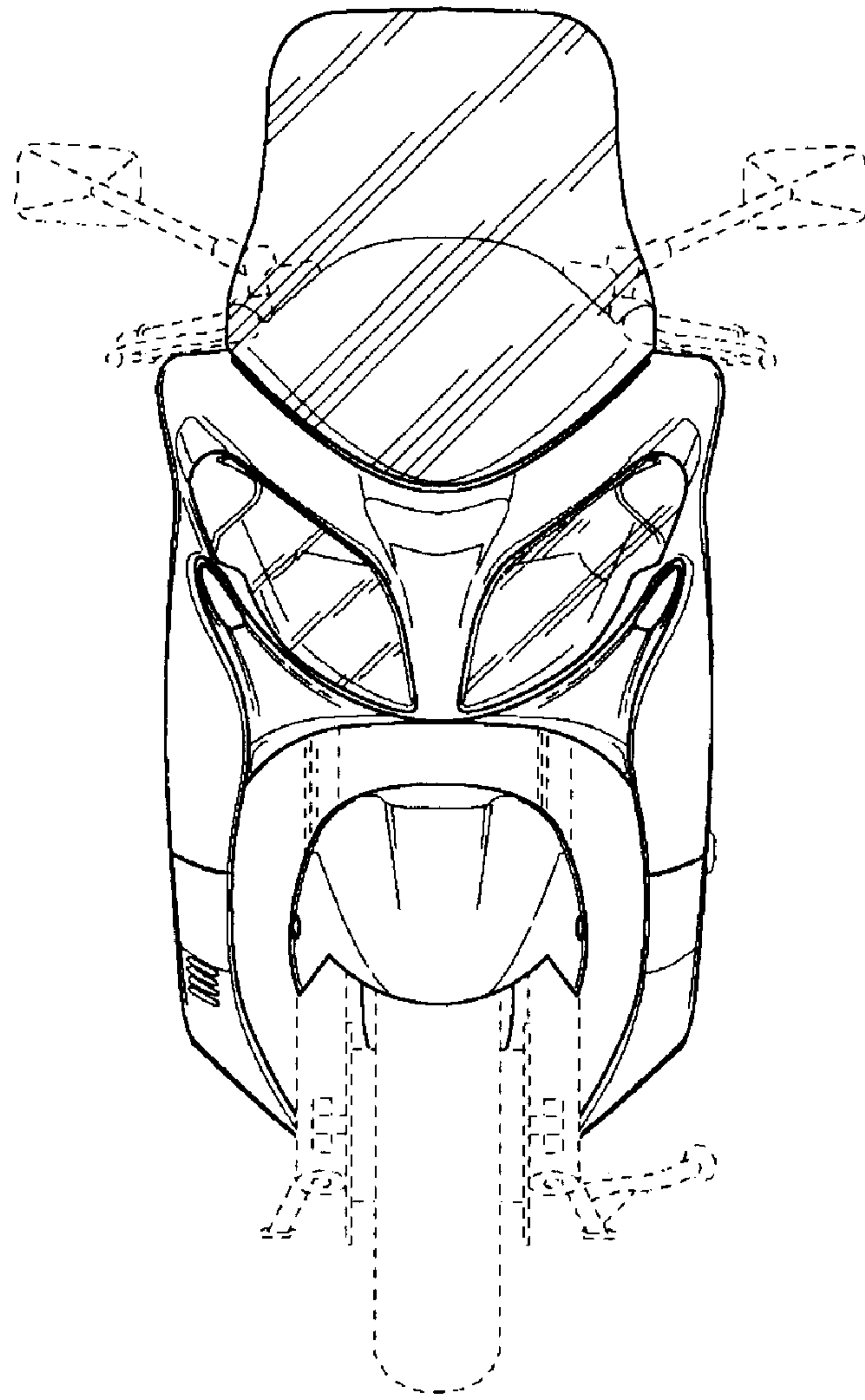


Fig. 1

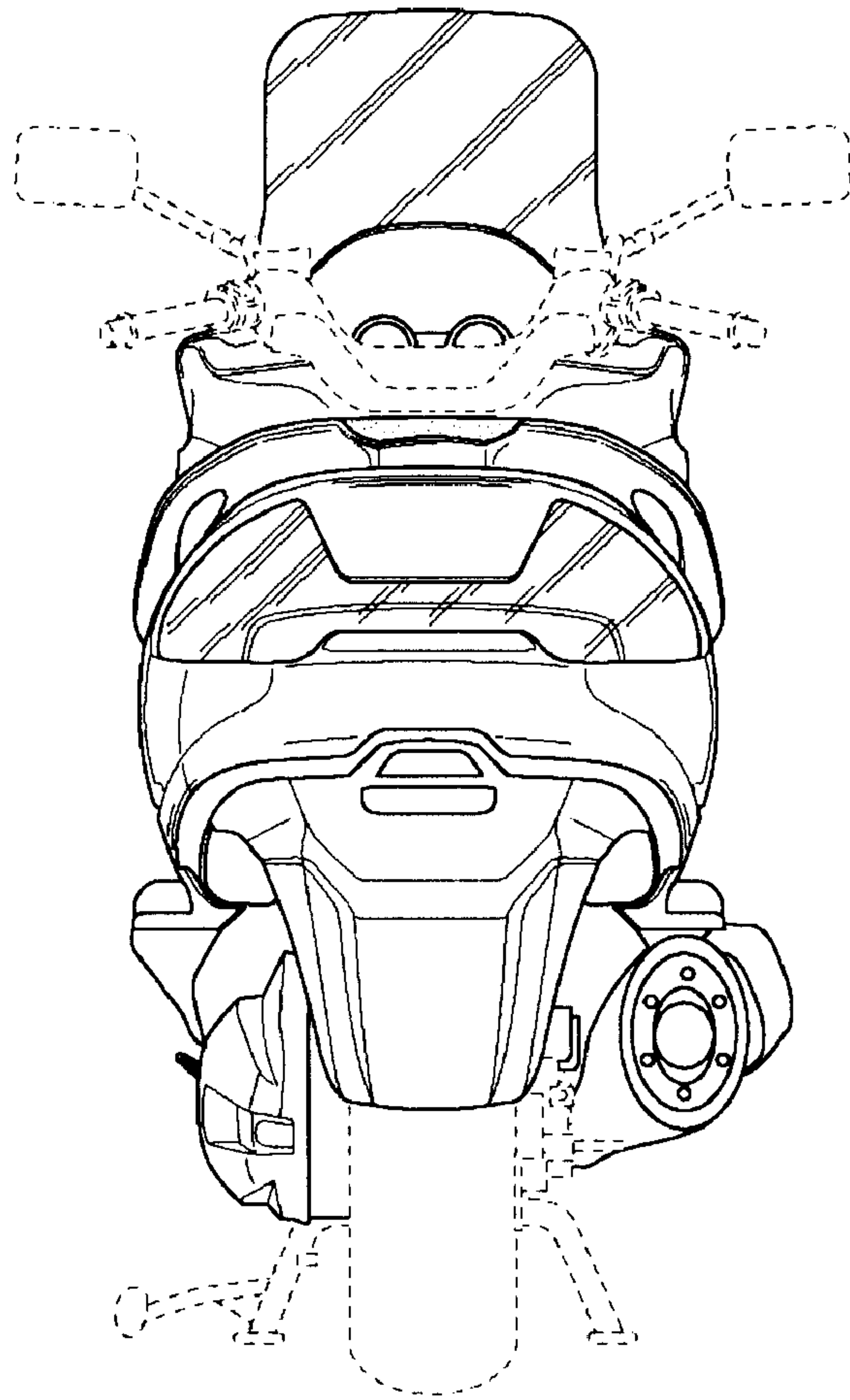


Fig. 2

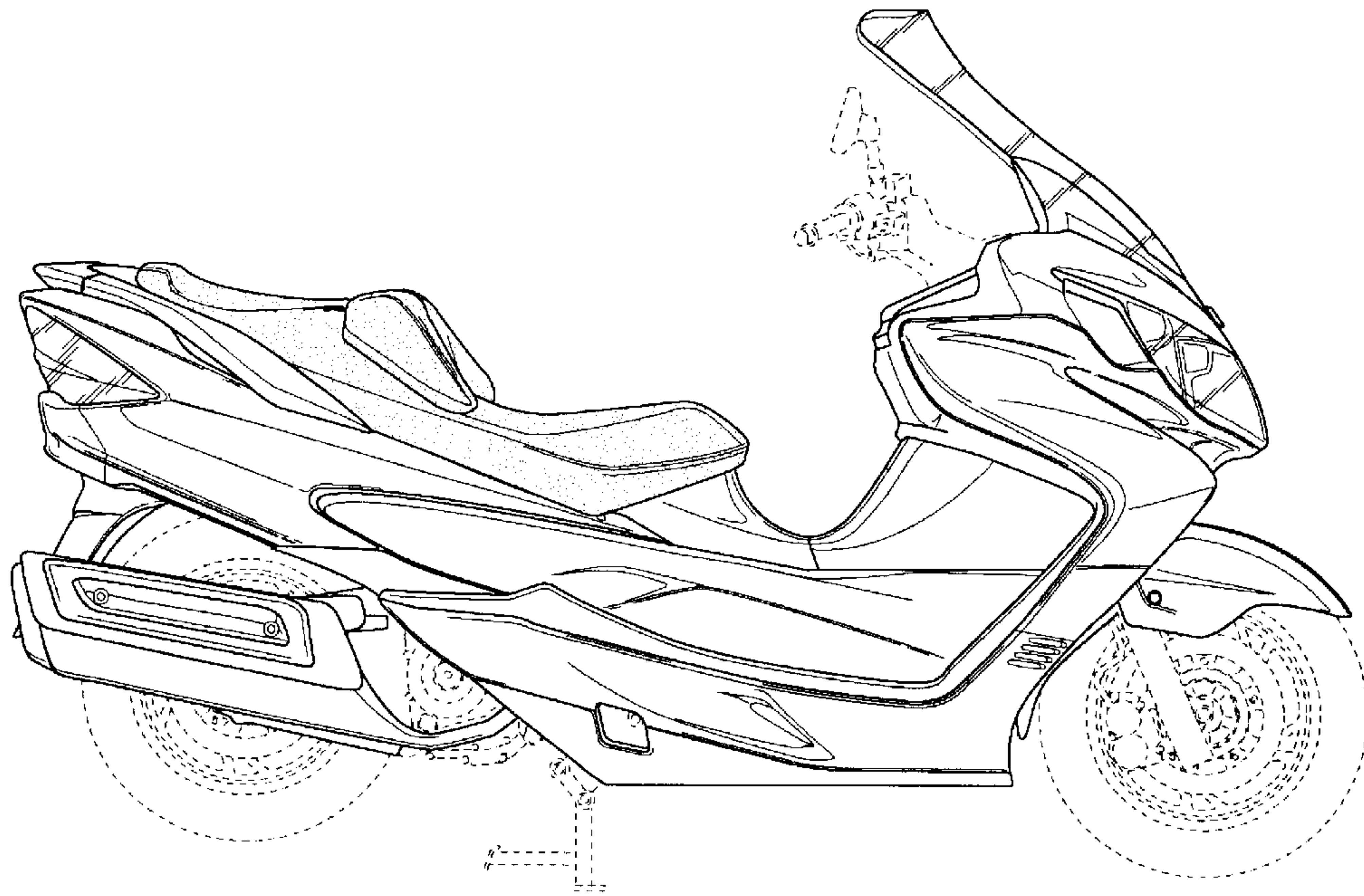


Fig. 3

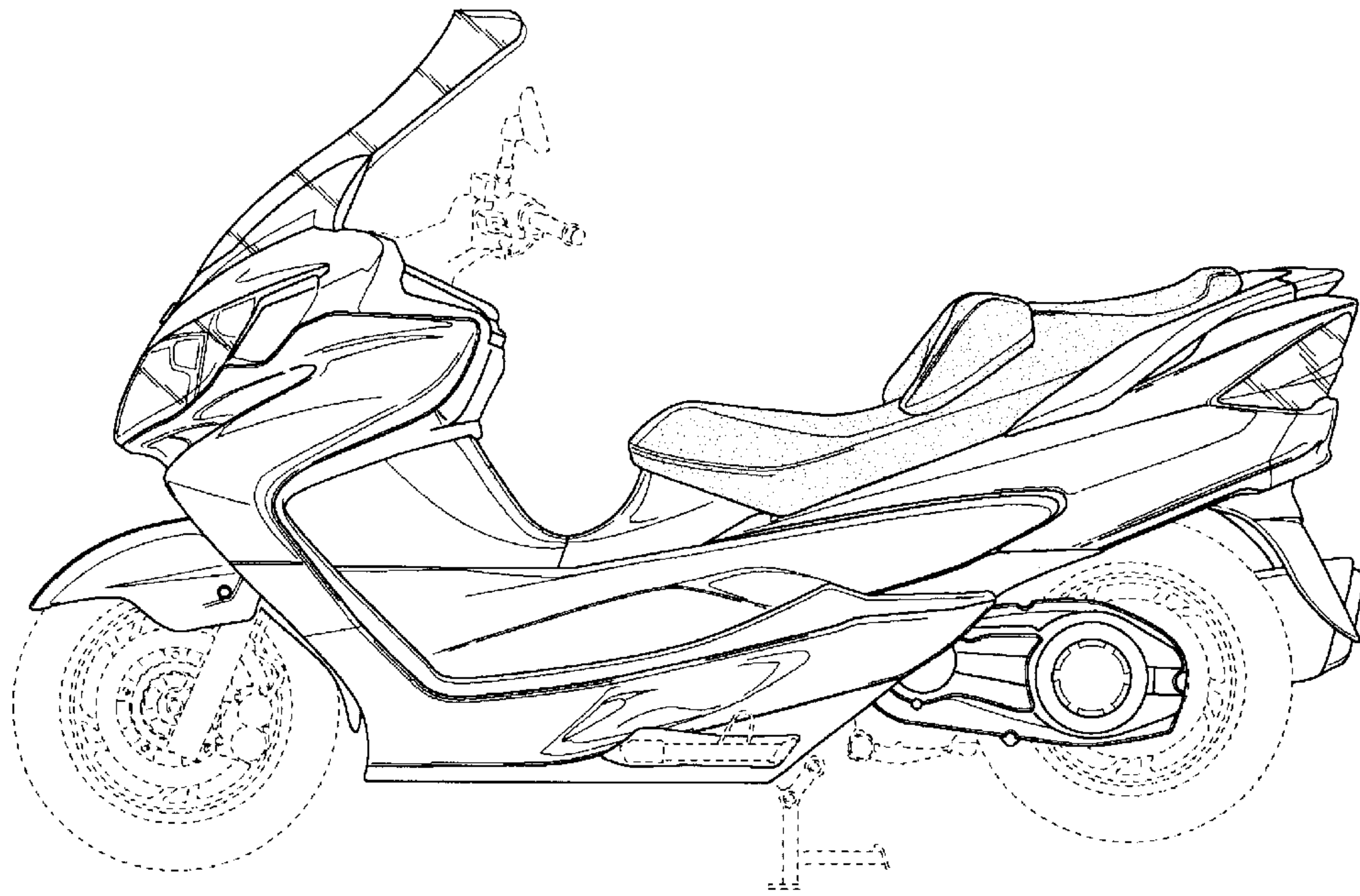


Fig. 4

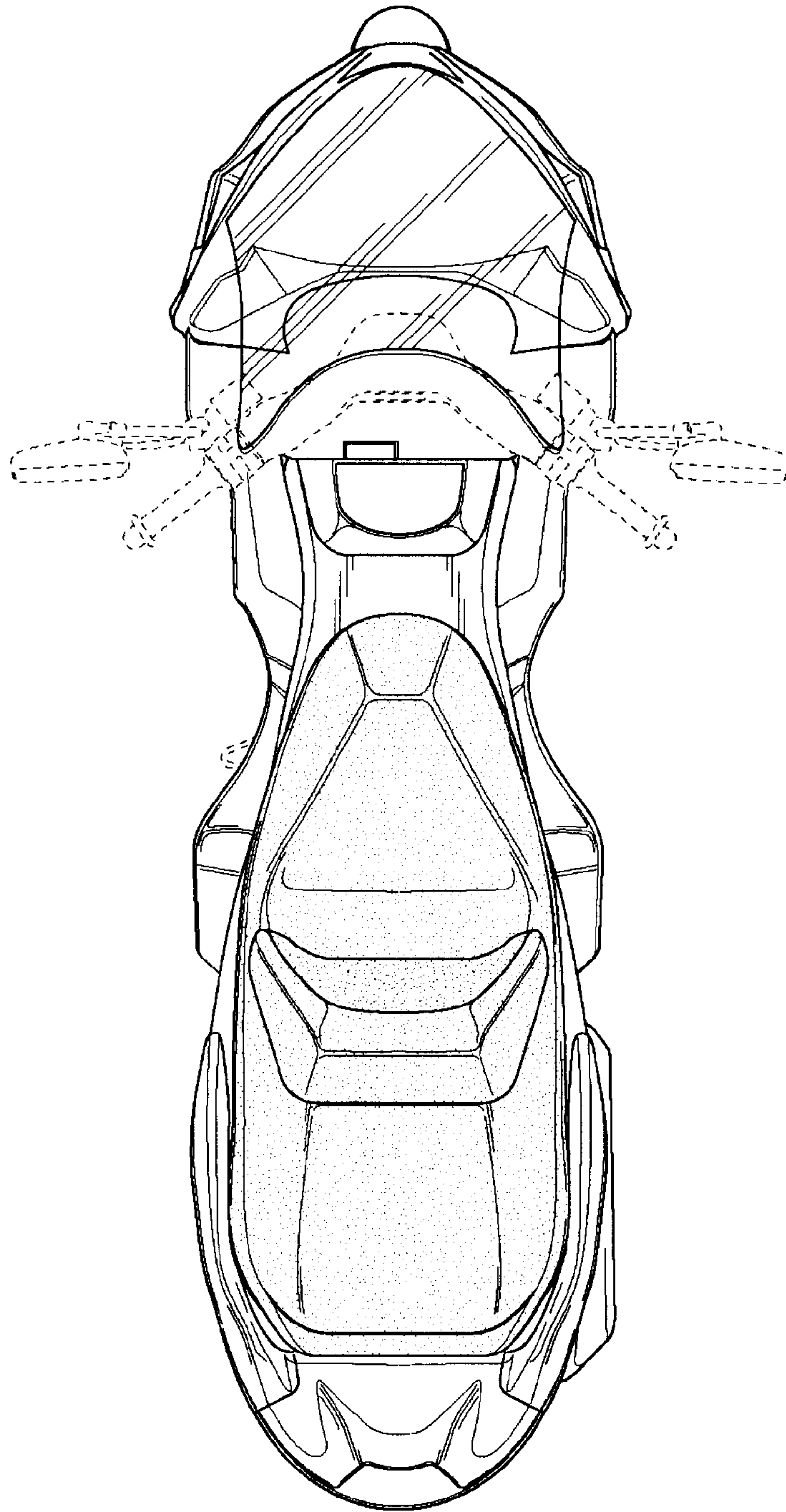


Fig. 5

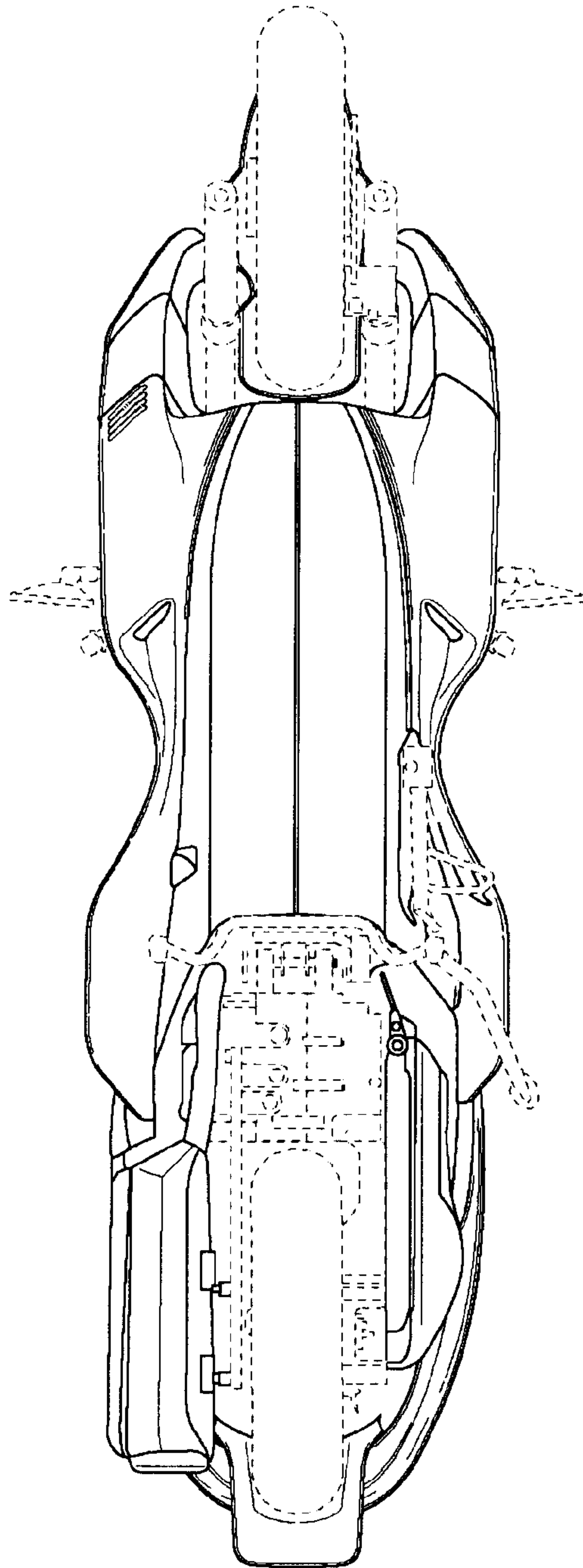


Fig. 6

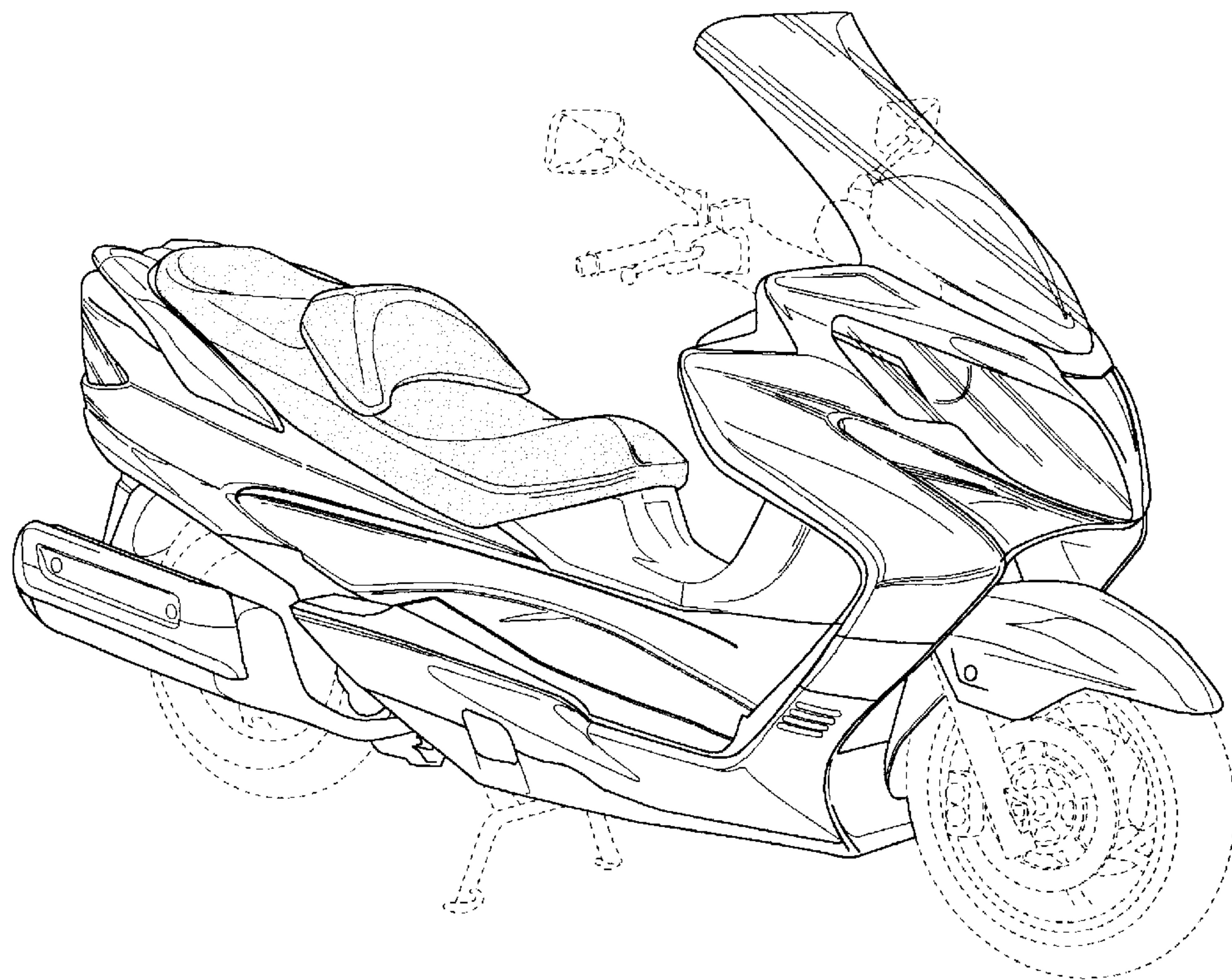


Fig. 7

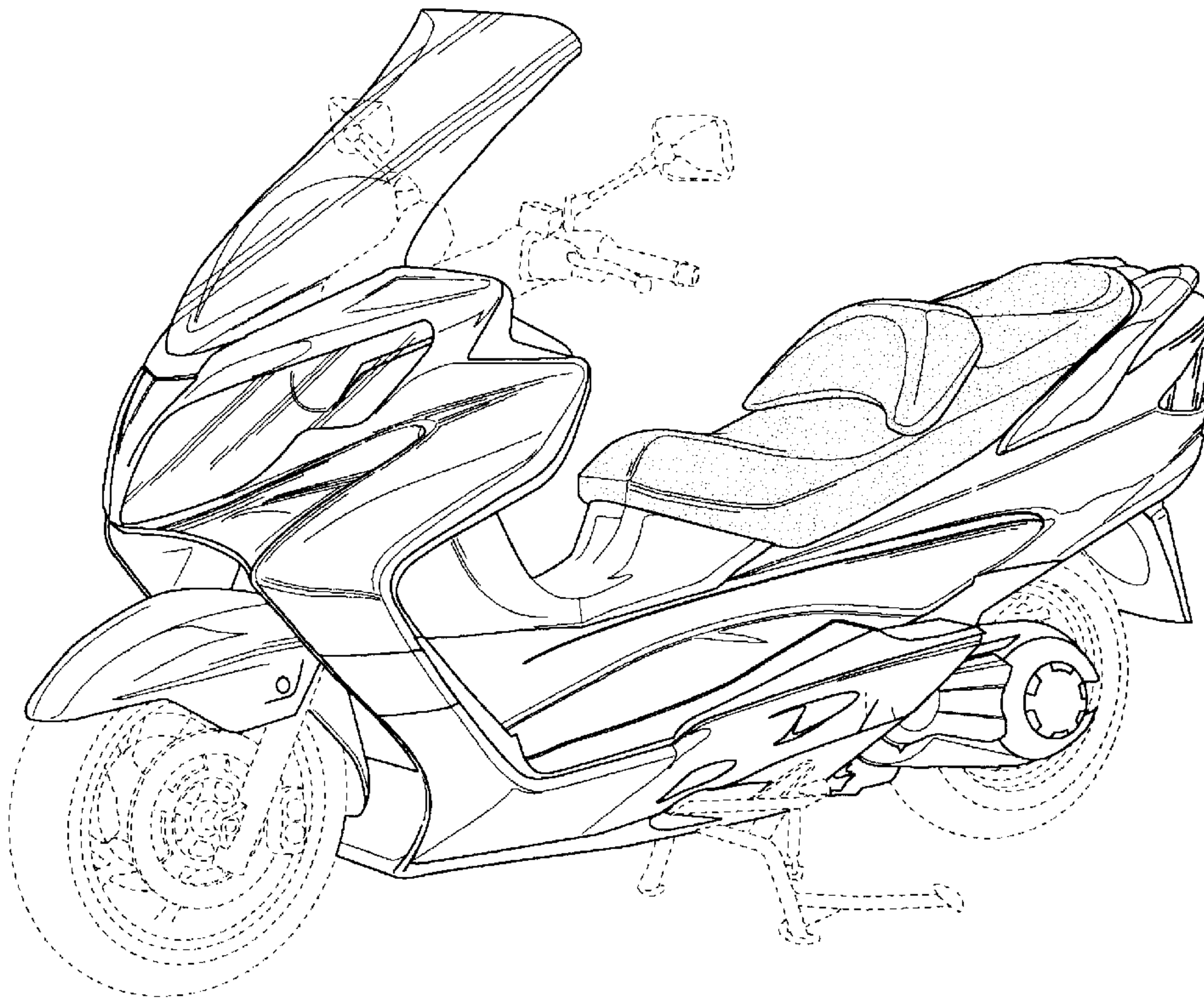


Fig. 8

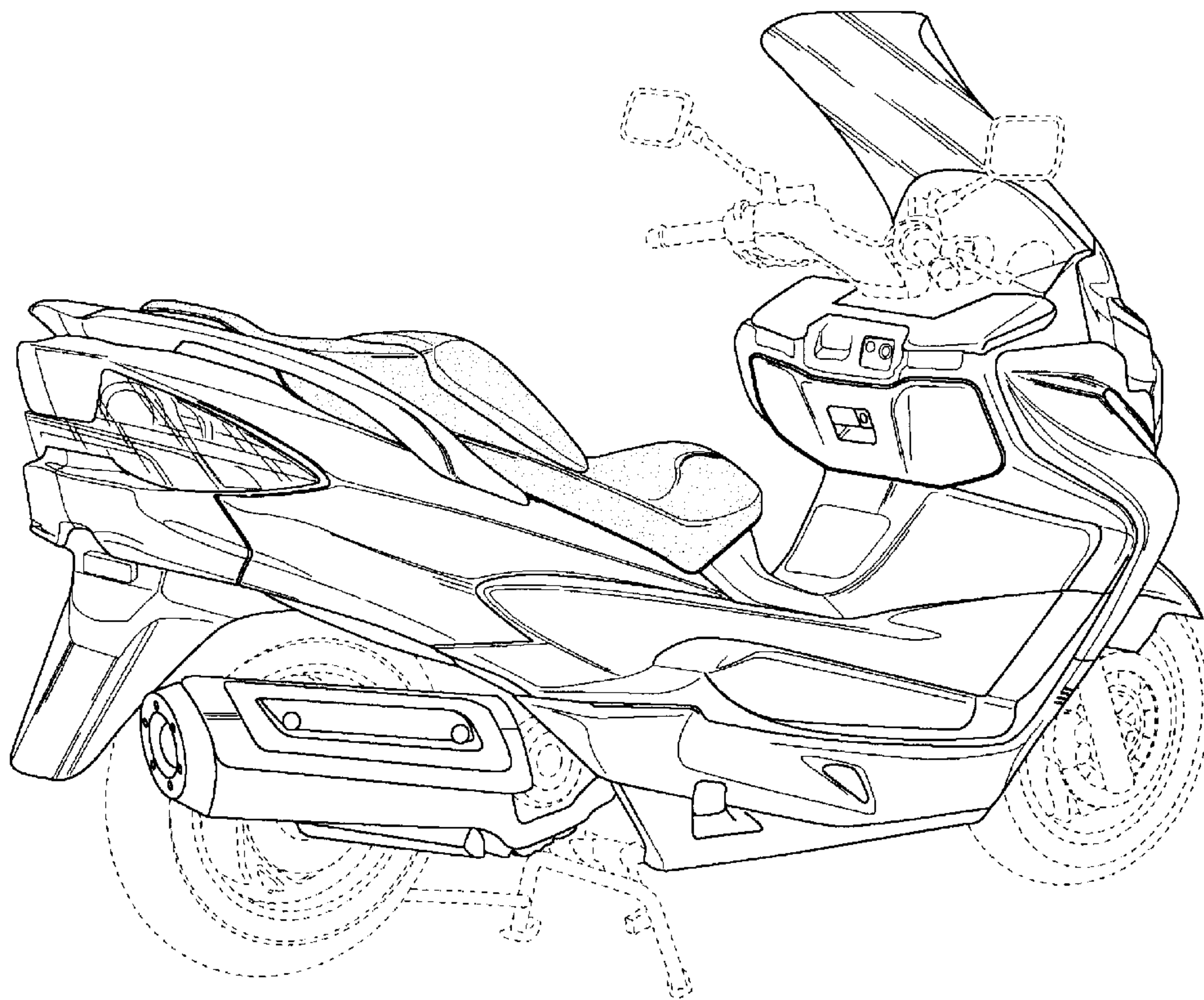


Fig. 9

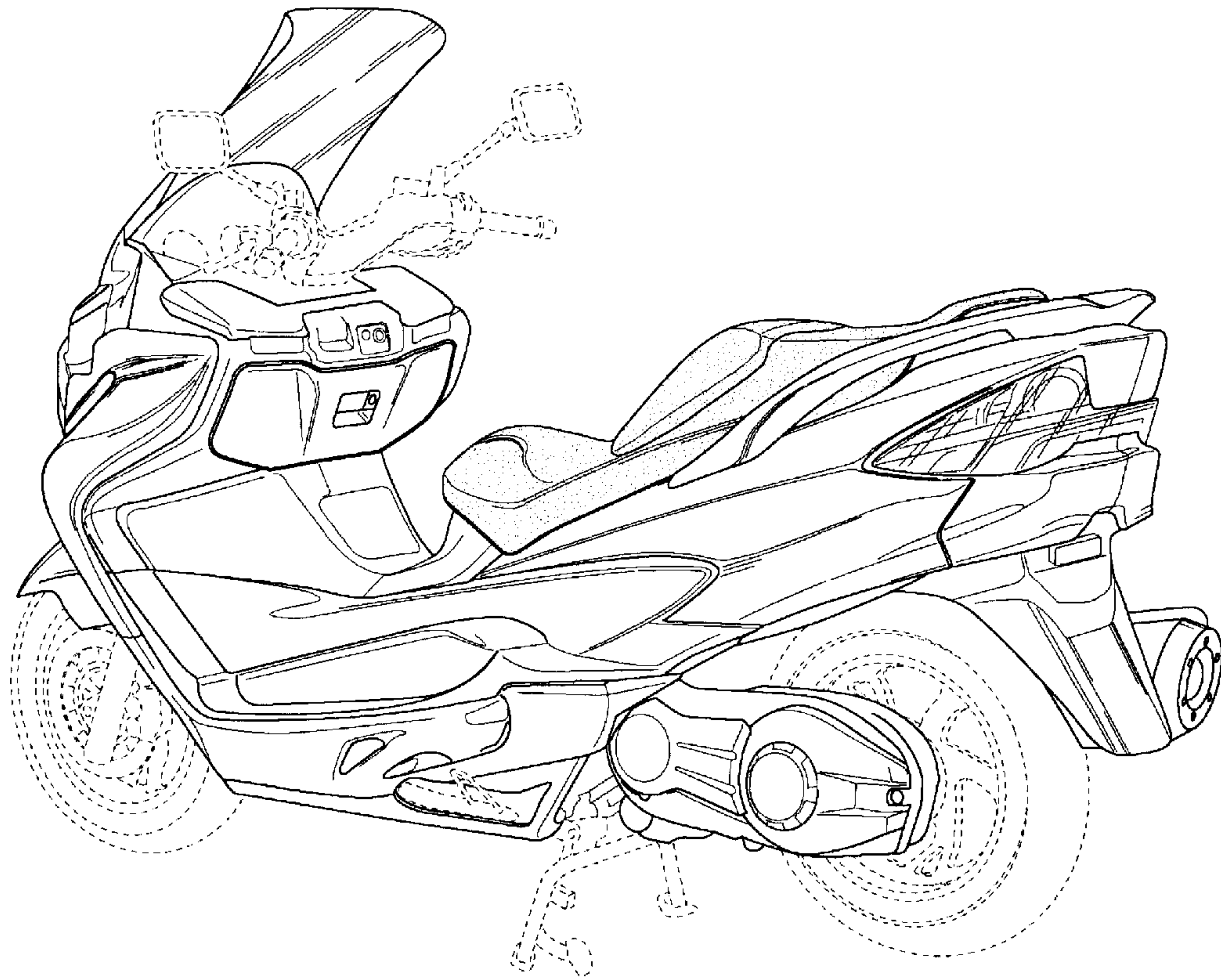


Fig. 10