



US00D534836S

(12) **United States Design Patent**
Moushegian et al.

(10) **Patent No.: US D534,836 S**
(45) **Date of Patent: ** Jan. 9, 2007**

(54) **AUTOMOBILE BODY**

(75) Inventors: **Mark T Moushegian**, San Diego, CA (US); **Clifford Wilkins**, Rochester Hills, MI (US); **Steven W Ferrerio**, Troy, MI (US)

(73) Assignee: **DaimlerChrysler Corporation**, Auburn Hills, MI (US)

(**) Term: **14 Years**

(21) Appl. No.: **29/244,908**

(22) Filed: **Dec. 15, 2005**

(51) **LOC (8) Cl.** **12-08**

(52) **U.S. Cl.** **D12/91**

(58) **Field of Classification Search** D12/90-92,
D12/86, 88; D21/424, 433; 296/181.1, 181.5
See application file for complete search history.

(56) **References Cited**

U.S. PATENT DOCUMENTS

D383,710 S	9/1997	Guichard et al.	
D389,438 S	1/1998	Guichard et al.	
D391,520 S	3/1998	Laster	
D454,813 S	* 3/2002	Boniface et al.	D12/91
D466,444 S	* 12/2002	Meadows	D12/91
D497,572 S	* 10/2004	Widmann et al.	D12/91
D507,766 S	7/2005	McMahan et al.	
D508,441 S	* 8/2005	Moushegian et al.	D12/91
D514,983 S	* 2/2006	Renkert et al.	D12/91

* cited by examiner

Primary Examiner—Melody N. Brown

(74) *Attorney, Agent, or Firm*—Ralph E. Smith

(57) **CLAIM**

The ornamental design for an automobile body, as shown and described.

DESCRIPTION

FIG. 1 is a front perspective view of an automobile body showing our new design;

FIG. 2 is a side view thereof;

FIG. 3 is a front view thereof;

FIG. 4 is a rear view thereof;

FIG. 5 is a rear perspective view thereof;

FIG. 6 is a front perspective view of an automobile body showing a second embodiment of our new design;

FIG. 7 is a side view of FIG. 6;

FIG. 8 is a front view of FIG. 6;

FIG. 9 is a rear view of FIG. 6;

FIG. 10 is a rear perspective view of FIG. 6;

FIG. 11 is a front perspective view of an automobile body showing a third embodiment of our new design;

FIG. 12 is a side view of FIG. 11;

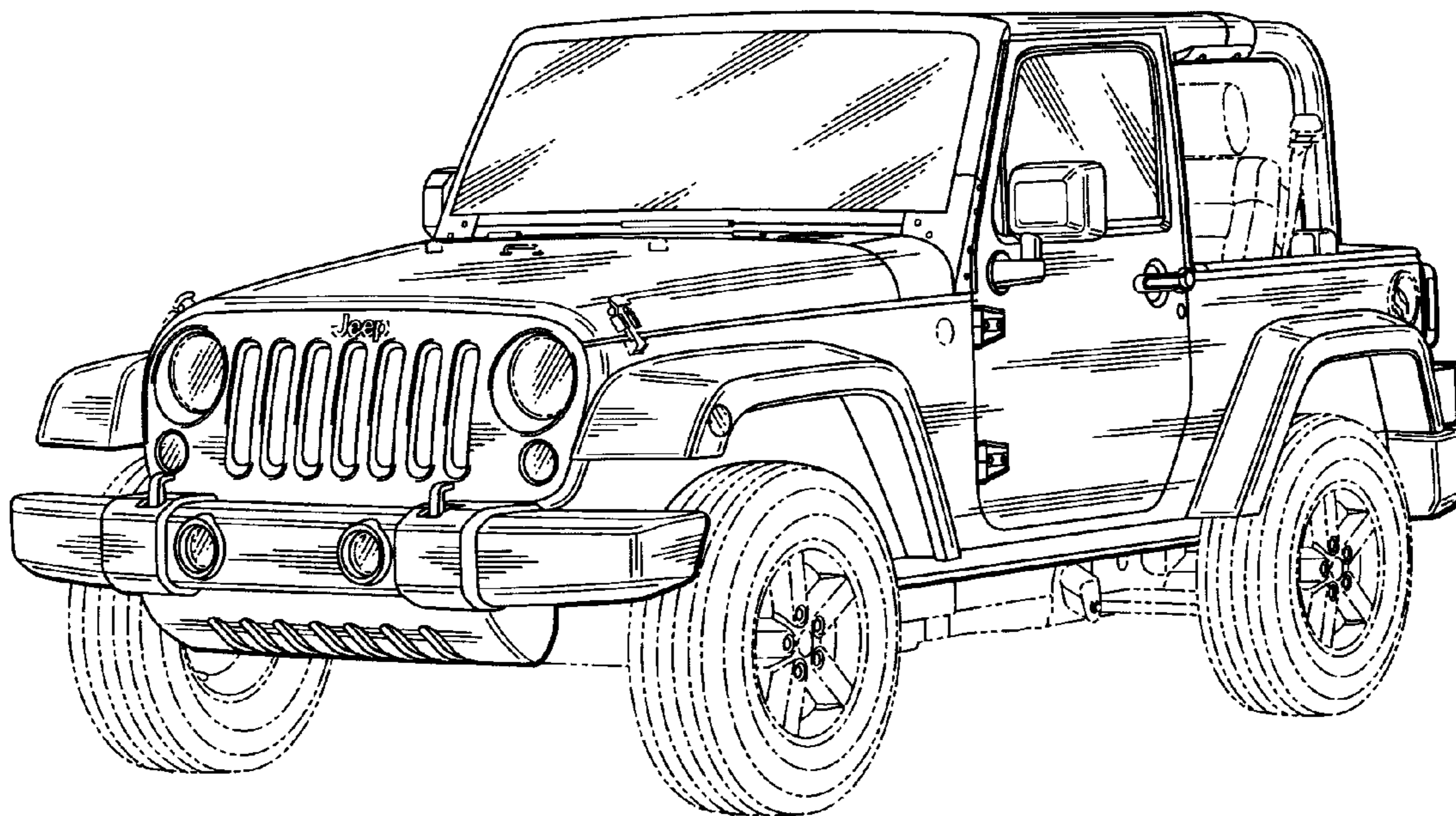
FIG. 13 is a rear perspective view of FIG. 11;

FIG. 14 is a top plan view of FIGS. 1 and 11; and,

FIG. 15 is a top plan view of FIG. 6.

It will be understood that the dashed lines presented in the drawings are for illustration only, and do not form a part of the claimed design.

1 Claim, 13 Drawing Sheets



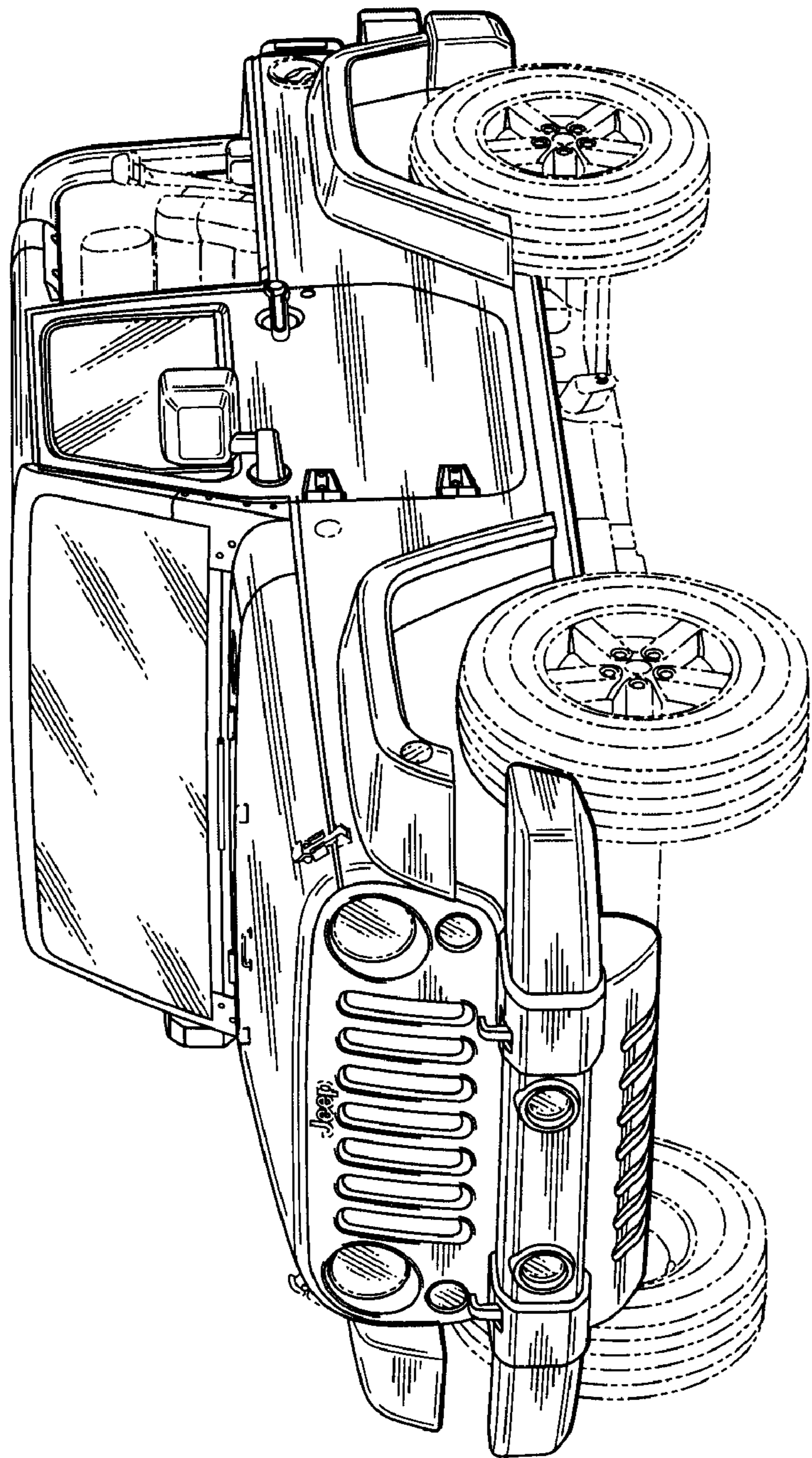


Fig. 1

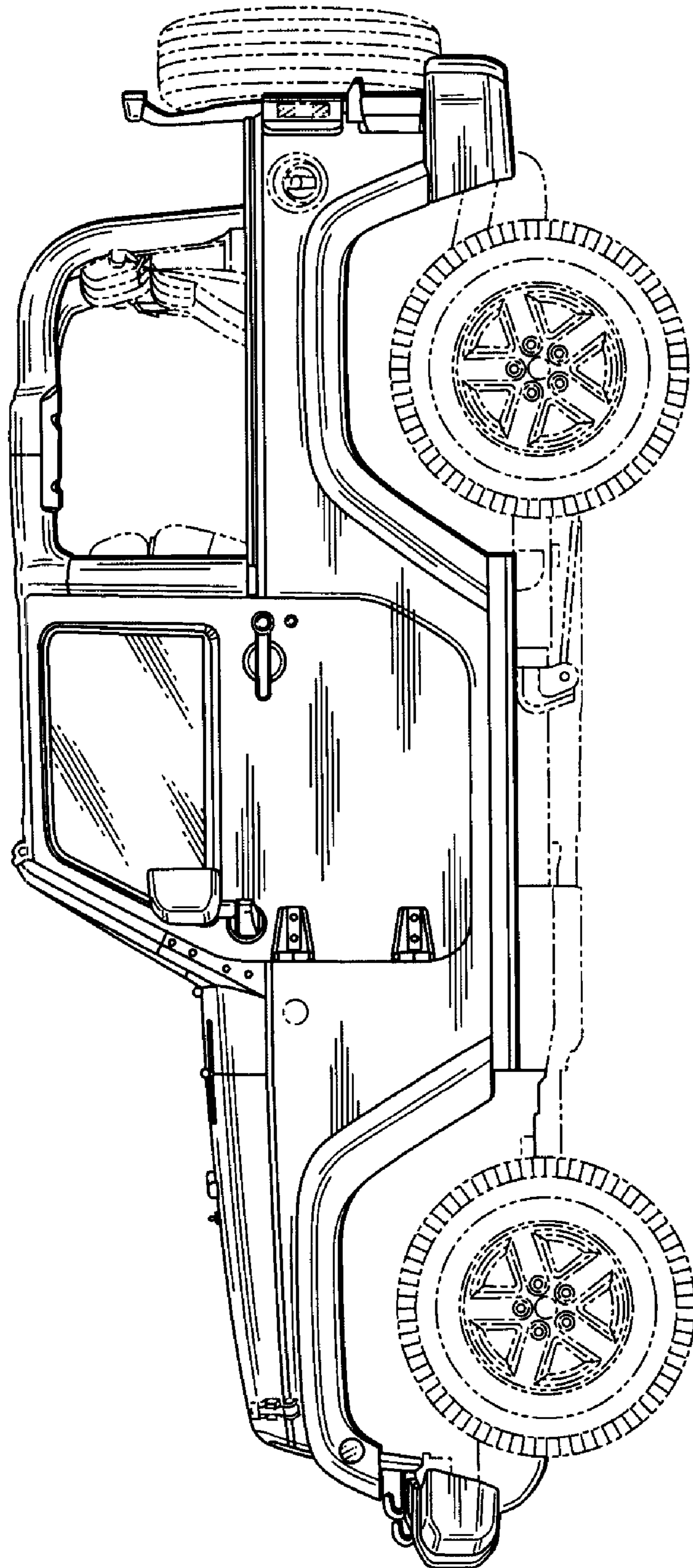


Fig. 2



Fig. 3

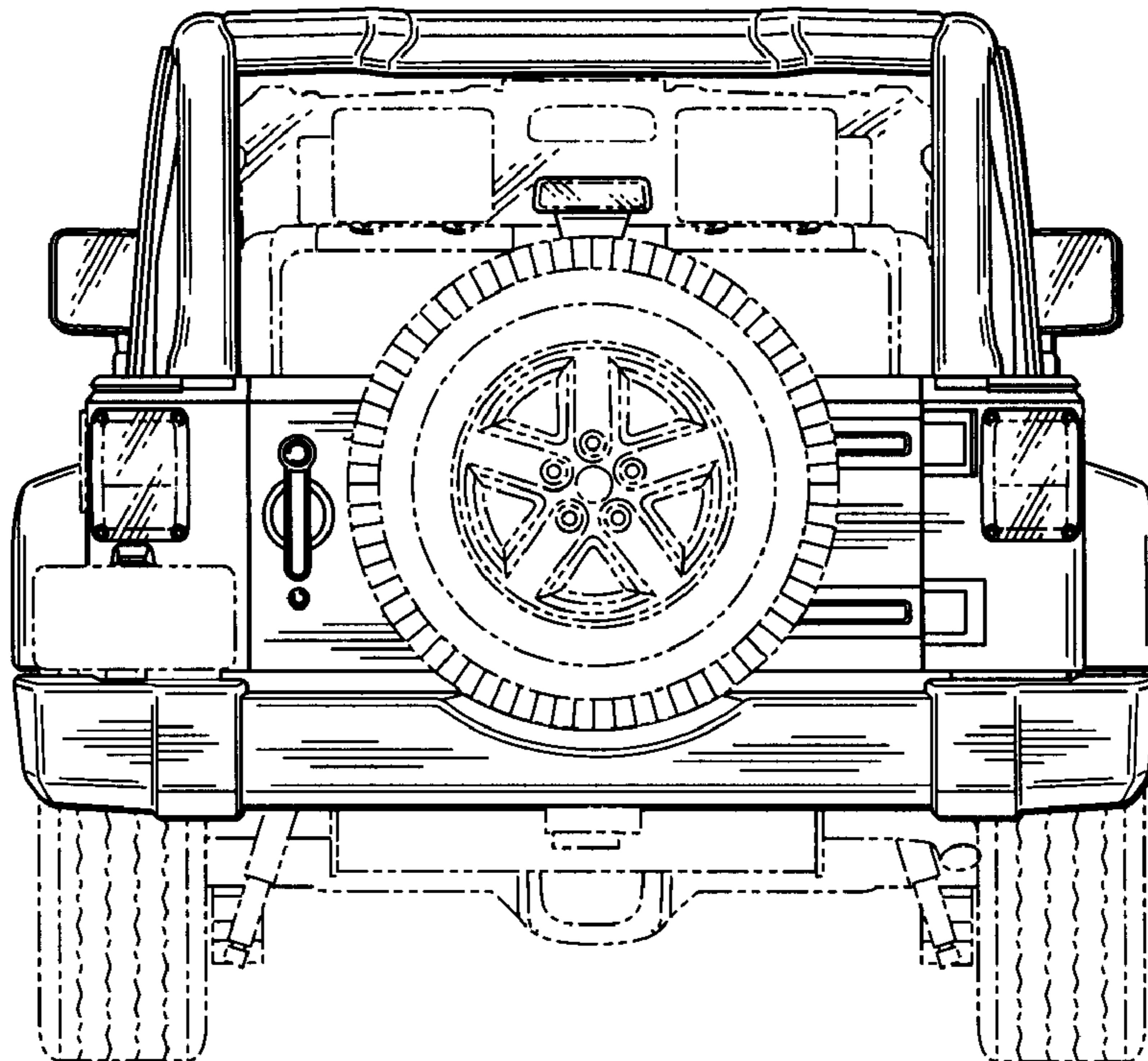


Fig. 4

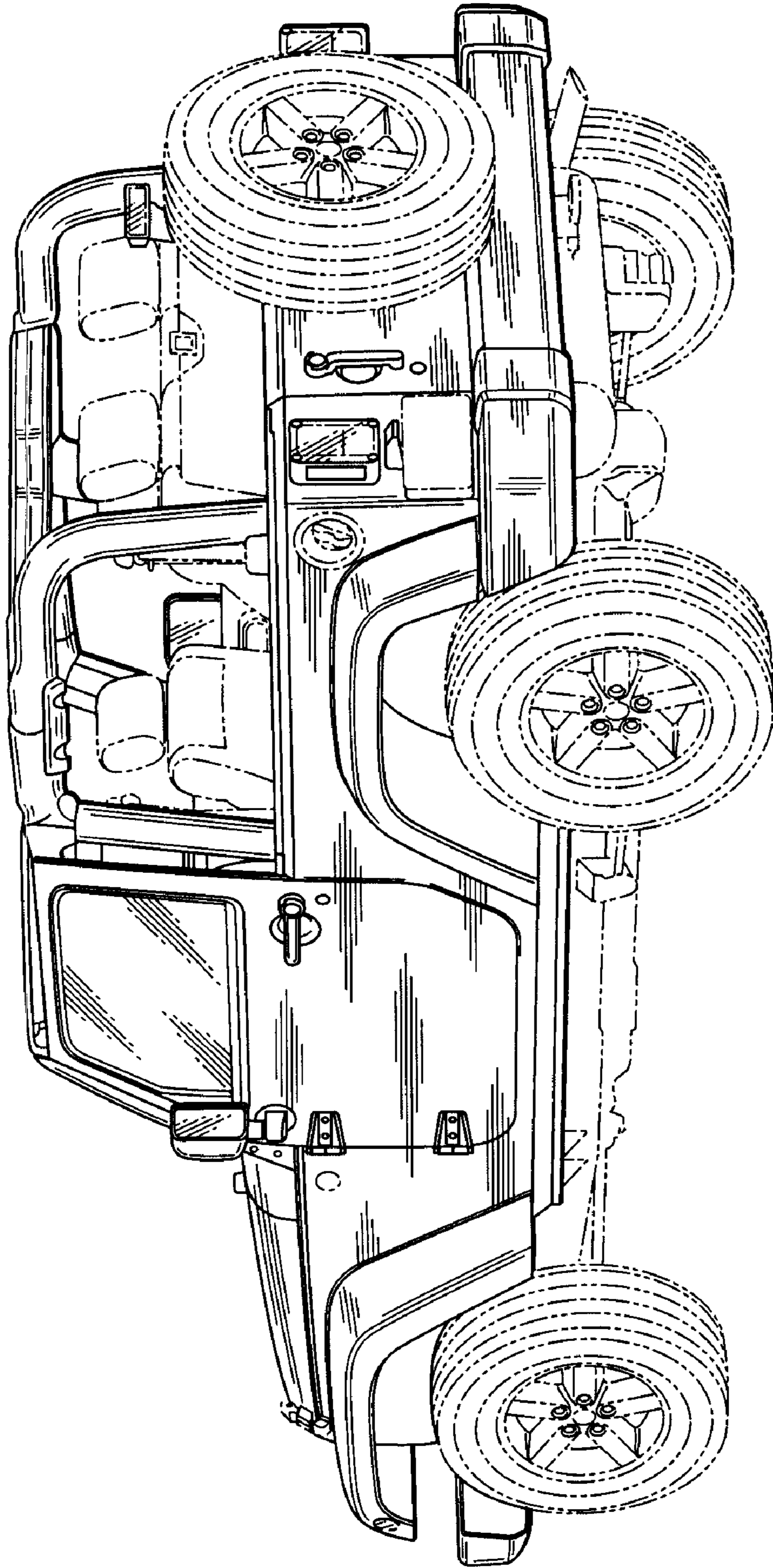


Fig. 5

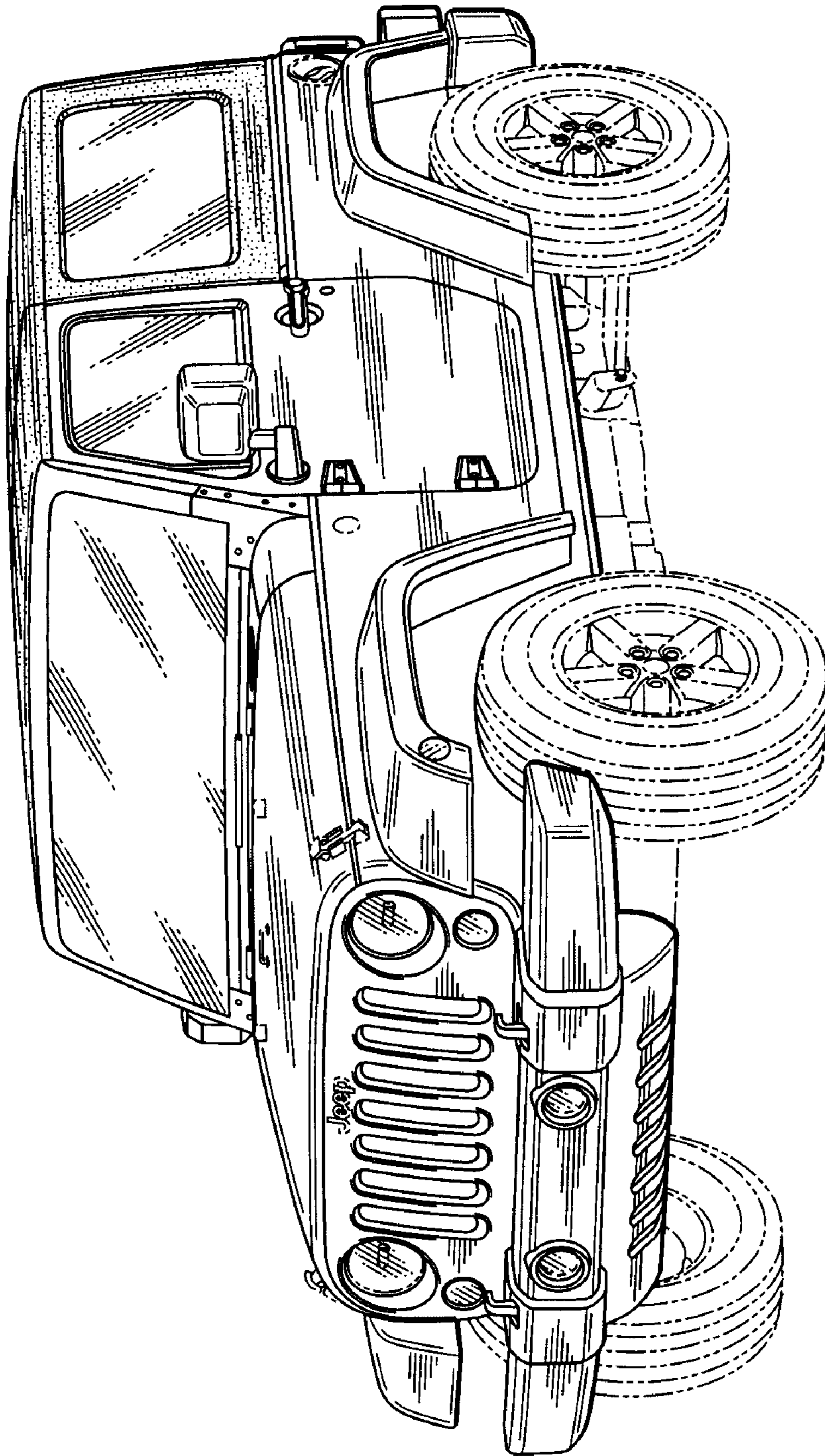


Fig. 6

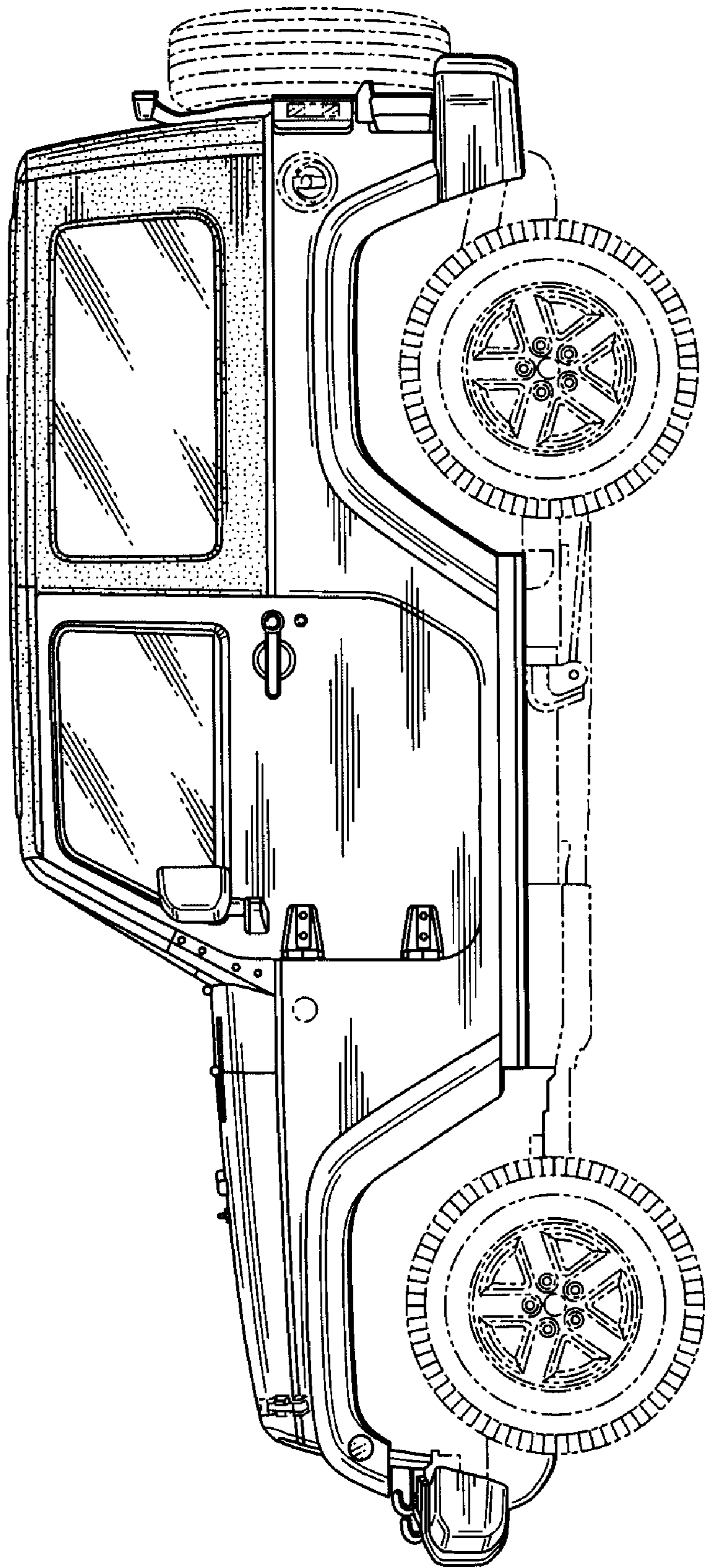


Fig. 7

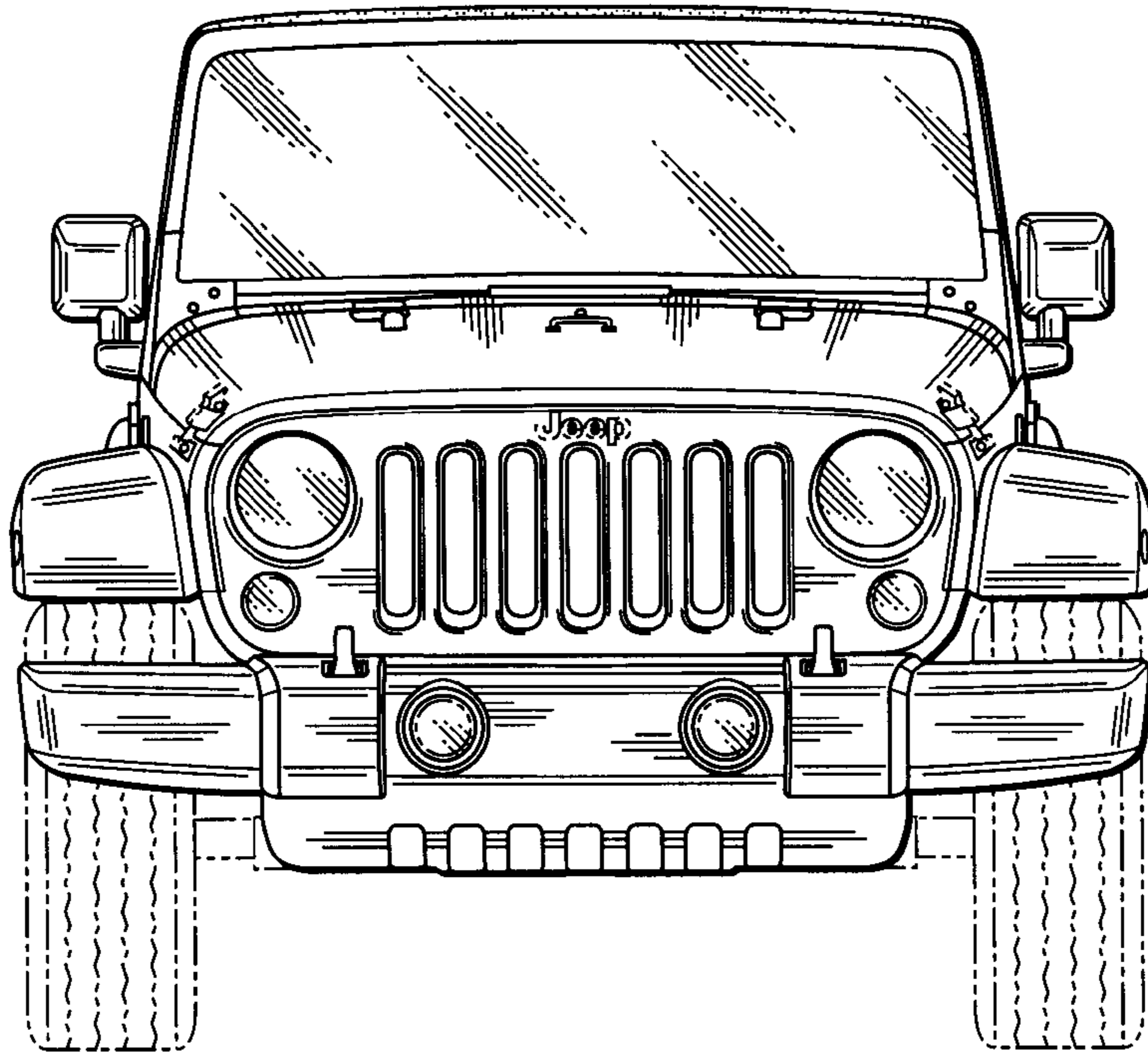


Fig. 8

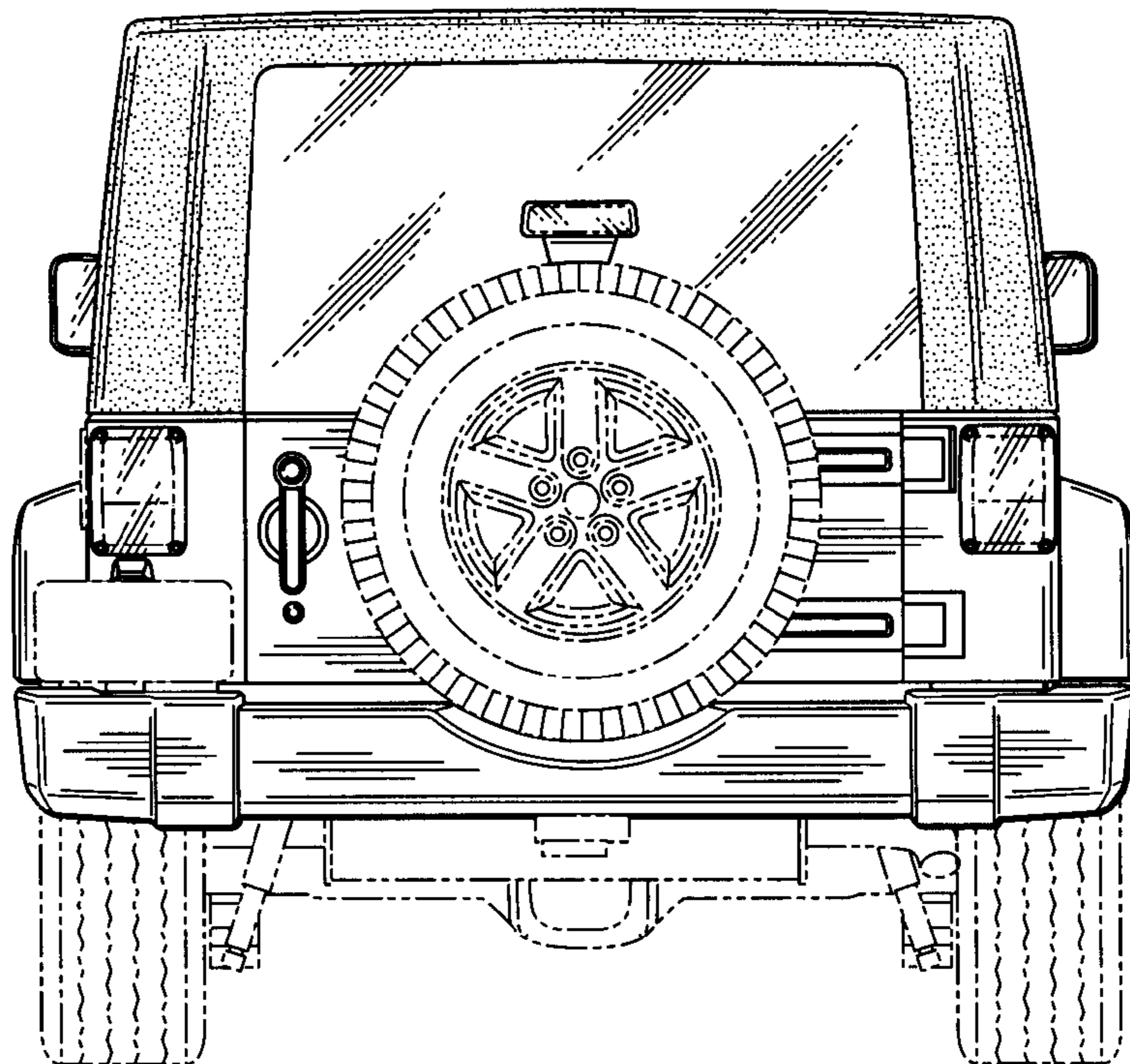


Fig. 9

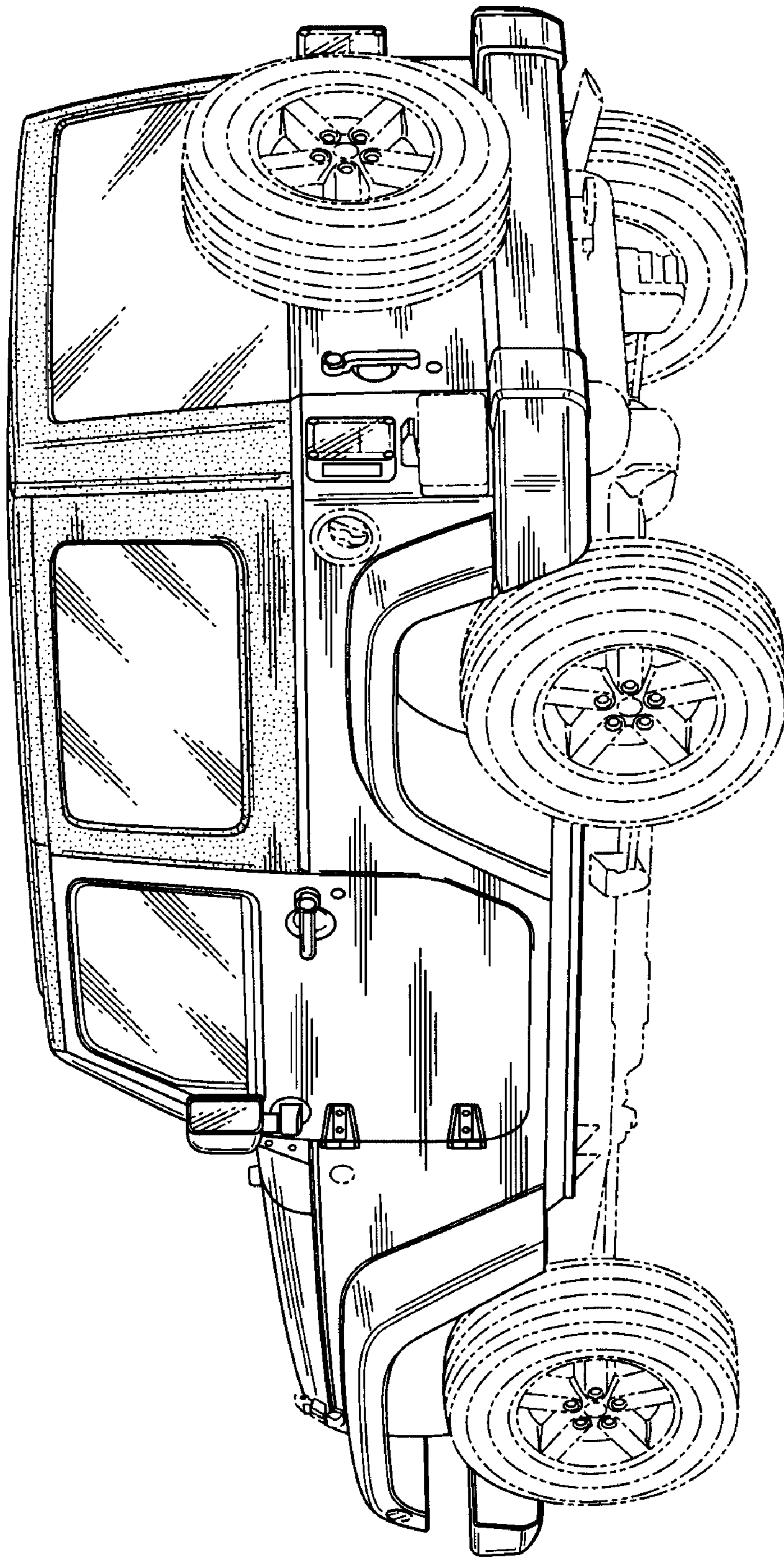


Fig. 10

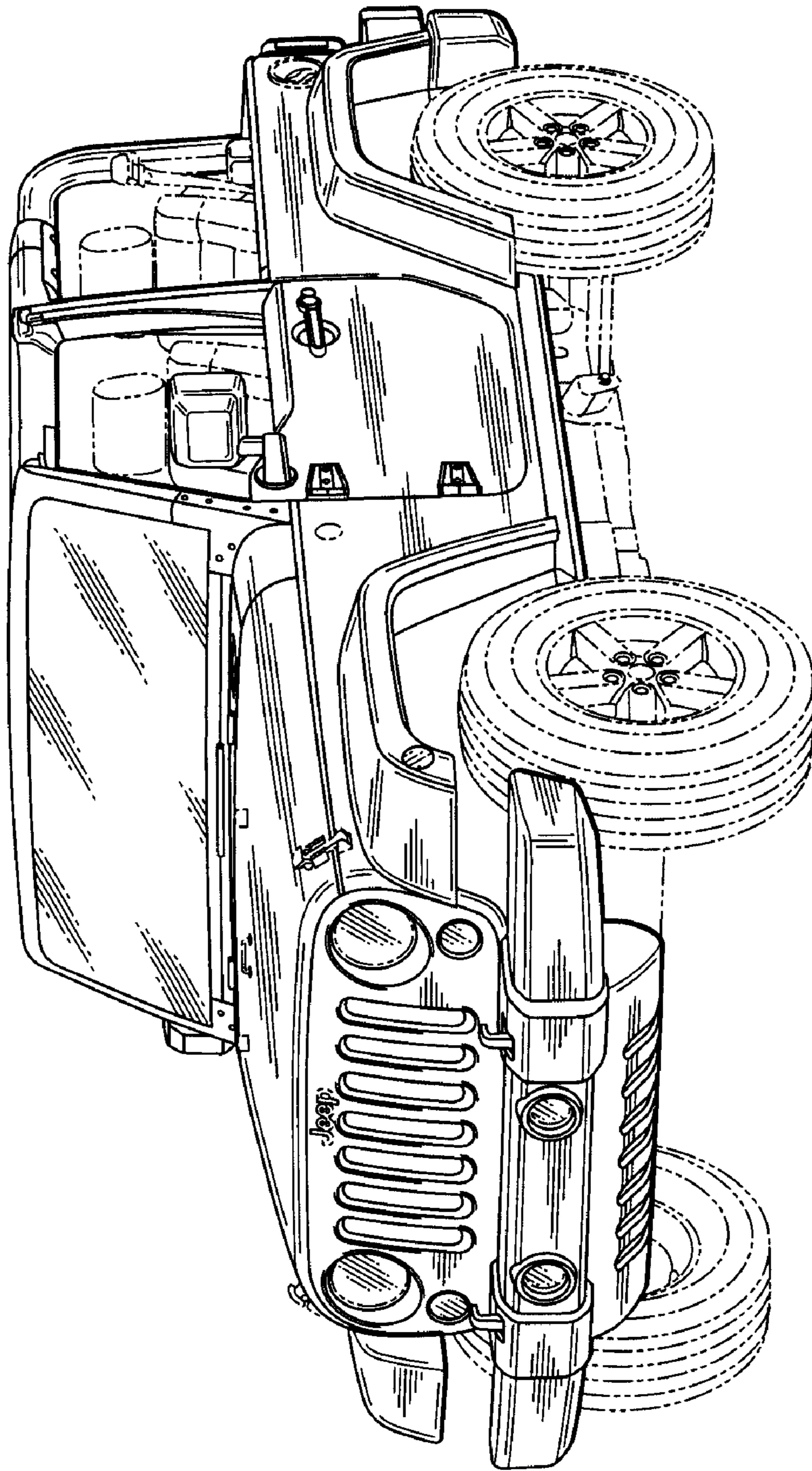


Fig. 11

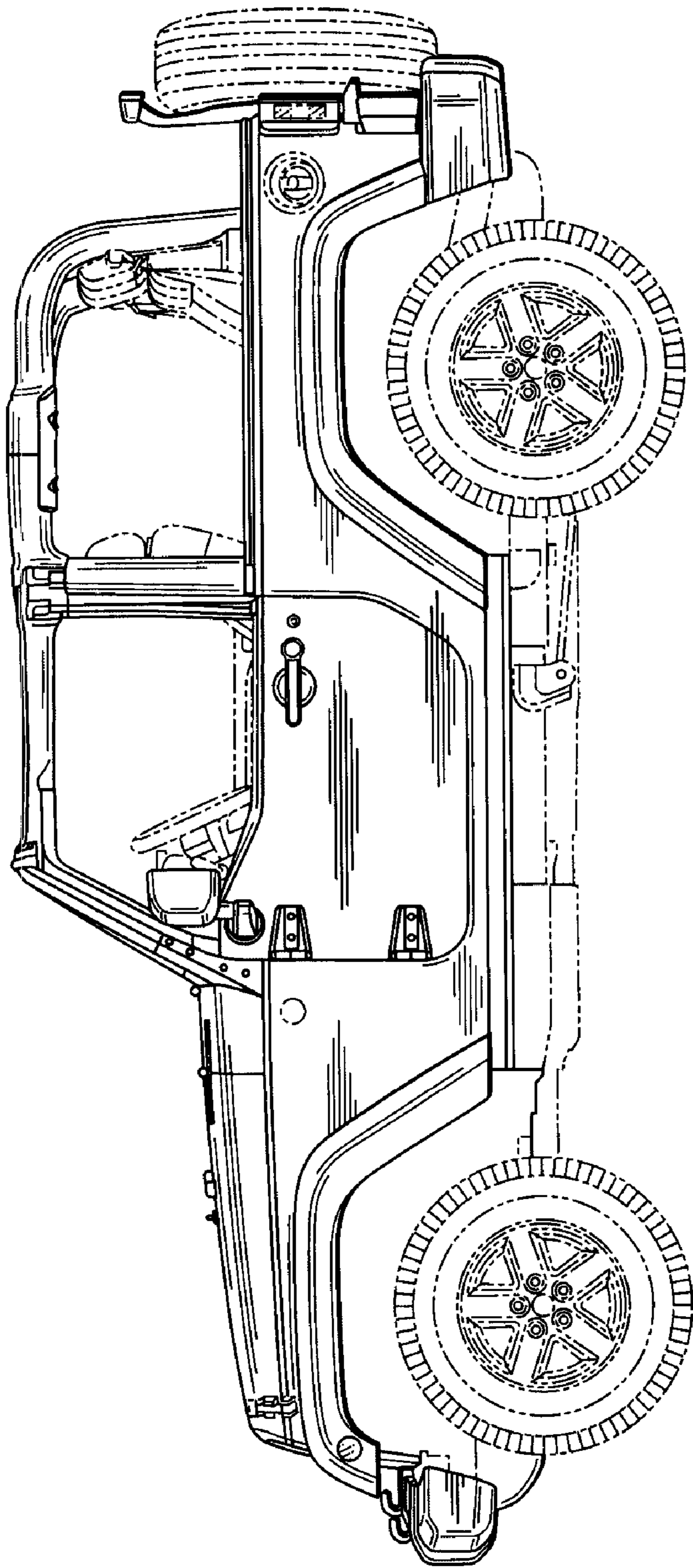


Fig. 12

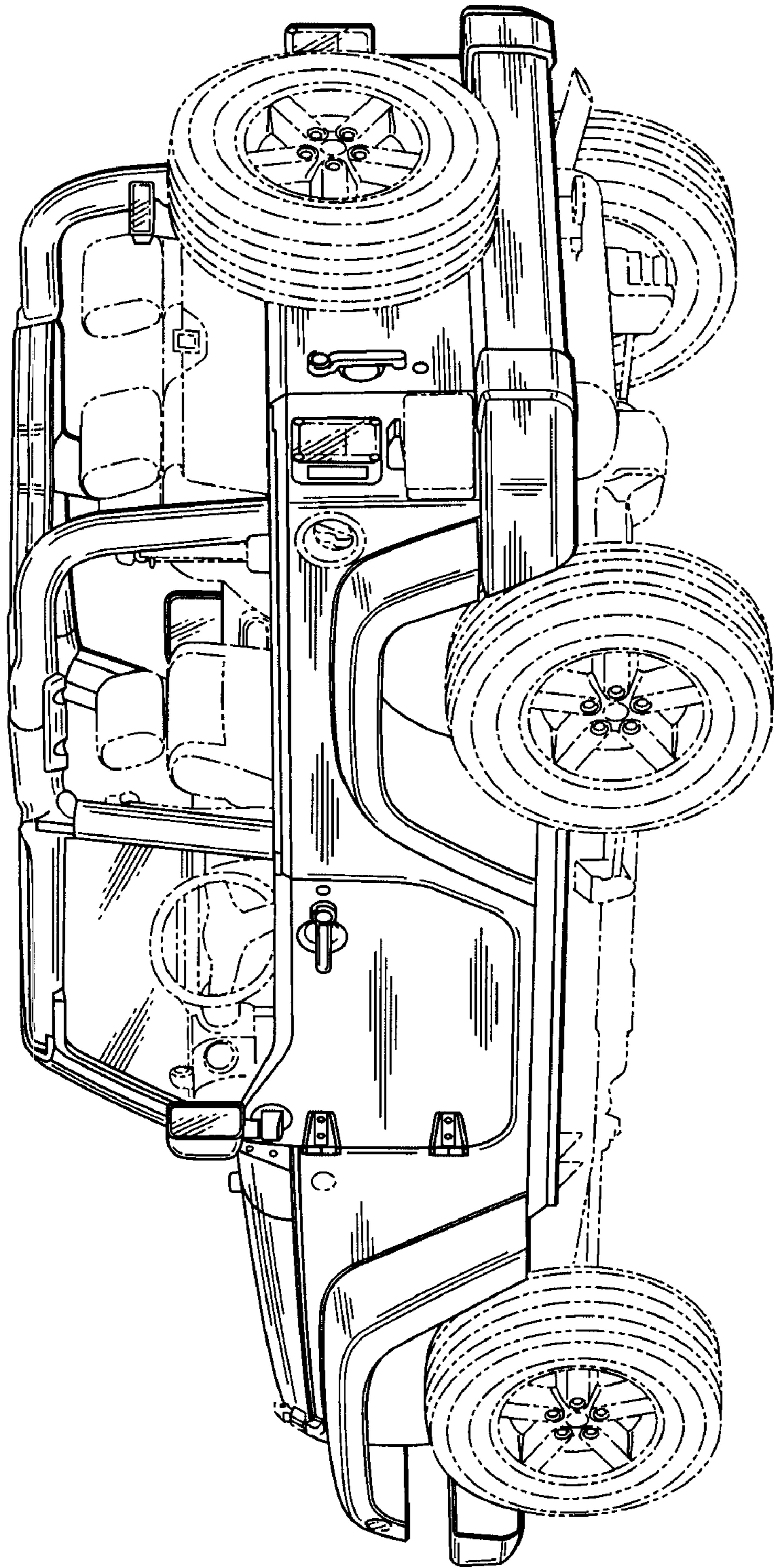


Fig. 13

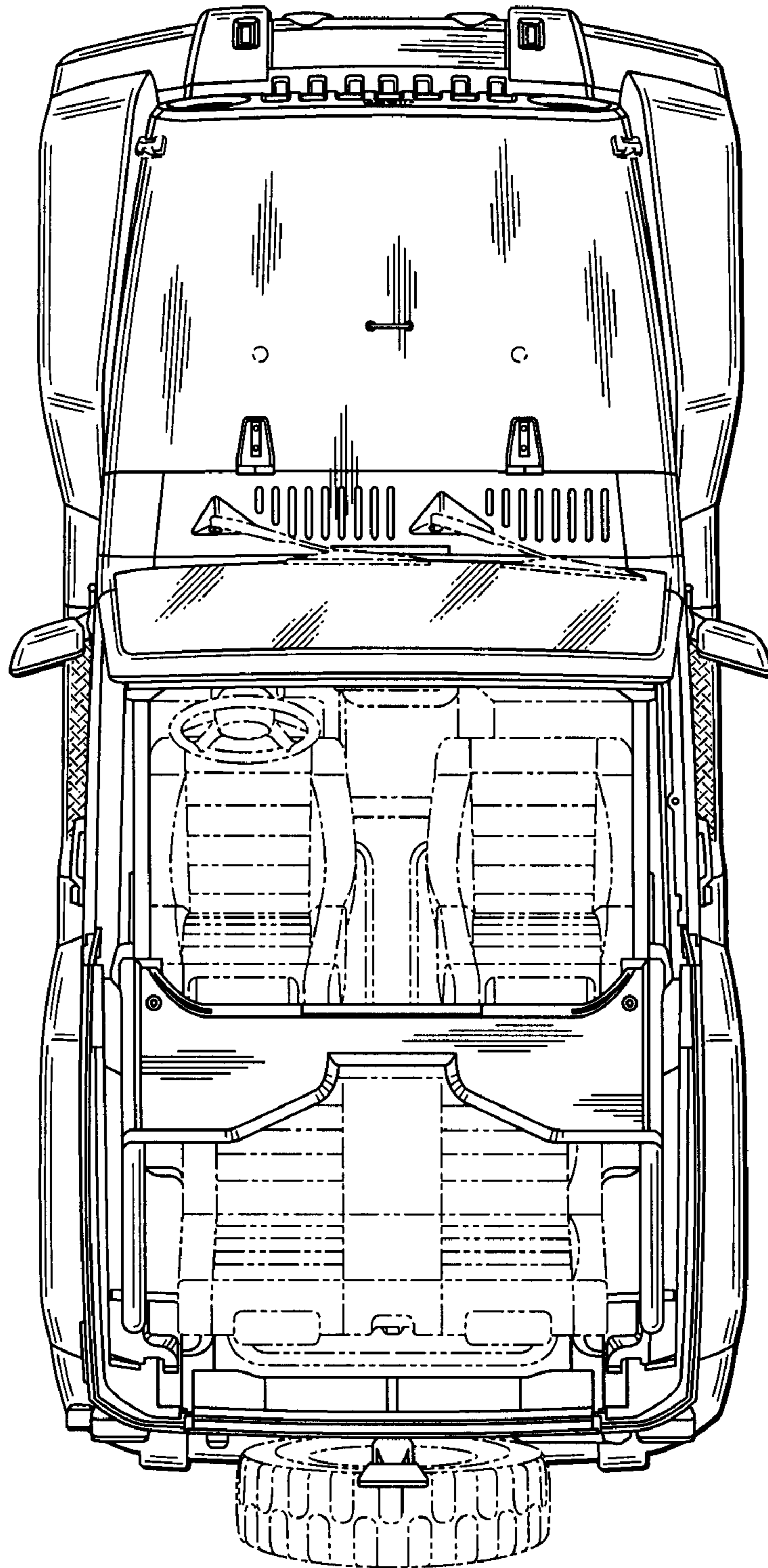


Fig. 14

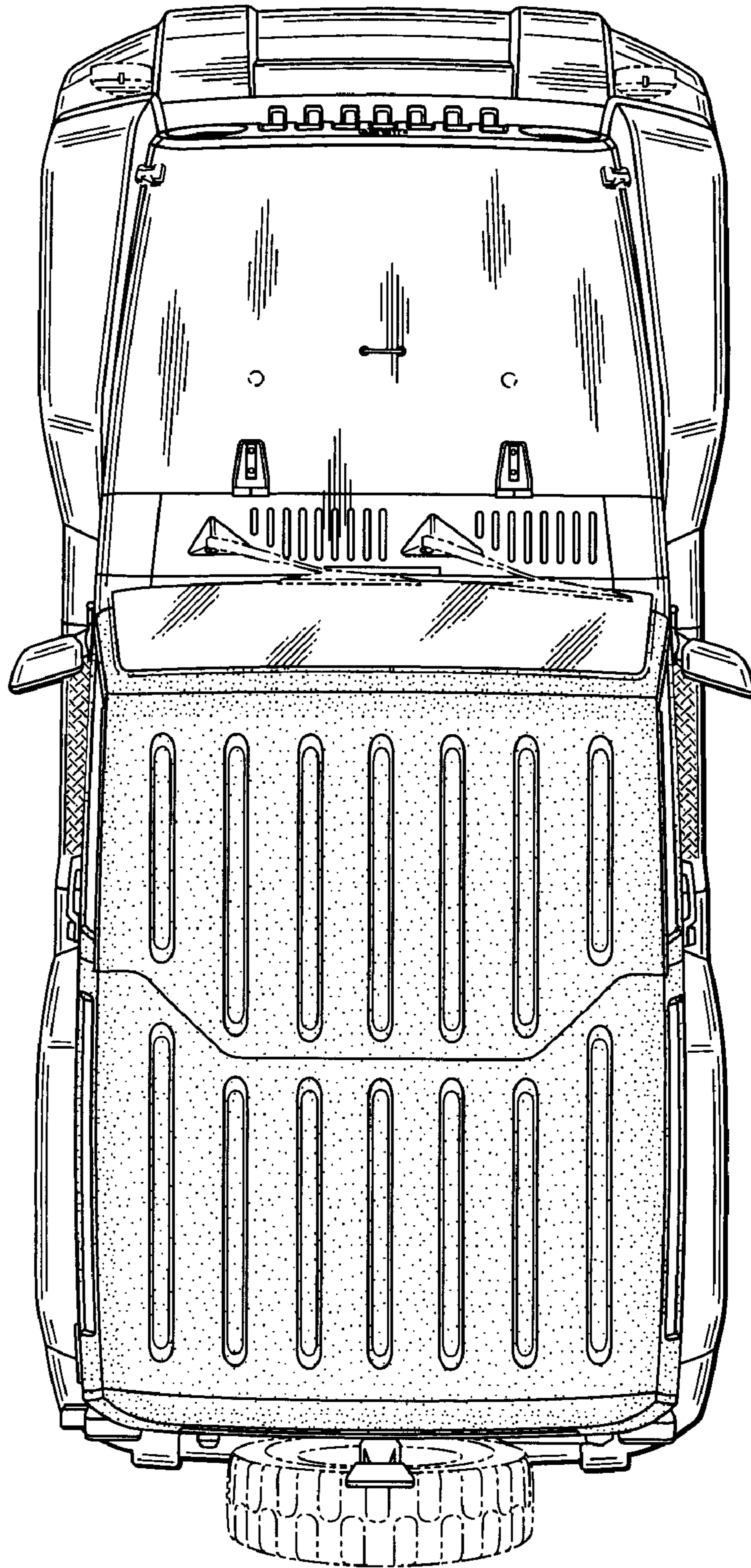


Fig. 15