



US00D534834S

(12) **United States Design Patent**  
**Weiser**

(10) **Patent No.:** **US D534,834 S**  
(45) **Date of Patent:** **\*\* Jan. 9, 2007**

(54) **WHIMSICAL FLAMINGO SPINNER**

(75) Inventor: **Margaret Weiser**, Tarzana, CA (US)

(73) Assignee: **Exhart Environmental Systems, Inc.**,  
Chatsworth, CA (US)

(\*\*) Term: **14 Years**

(21) Appl. No.: **29/241,508**

(22) Filed: **Oct. 28, 2005**

(51) **LOC (8) Cl.** ..... **11-02**

(52) **U.S. Cl.** ..... **D11/162; D21/606**

(58) **Field of Classification Search** ..... D11/127,  
D11/141, 157-164; D21/455, 458, 576-661;  
D10/54, 59; 428/12, 16, 542.2, 542.4; 446/201,  
446/217, 218, 233, 234-236, 268-395; 40/411-413,  
40/417-420; 70/170.05, 170.07

See application file for complete search history.

D213,013 S	12/1968	Klingberg	
D241,461 S	* 9/1976	Lambert	D21/592
4,031,656 A	6/1977	Kupperman et al.	
D245,365 S	* 8/1977	Shirashi	D21/585
4,863,413 A	9/1989	Schwarz	
5,085,075 A	2/1992	Baker	
D324,353 S	* 3/1992	Ursu	D11/162
D337,358 S	* 7/1993	Orak	D21/589
5,469,738 A	11/1995	Hendrickson	
5,551,923 A	9/1996	Worzella	
5,613,317 A	3/1997	Ninegar	
D384,598 S	10/1997	Park	
D387,636 S	12/1997	Chang	
D394,463 S	5/1998	Filho	
D402,231 S	12/1998	Mumford	
6,095,458 A	8/2000	Cripe	
6,206,747 B1	3/2001	Skwarek	
D455,674 S	* 4/2002	Ancona	D11/162
D465,249 S	11/2002	Weiser et al.	
6,475,056 B1	11/2002	Christianson	
D487,714 S	* 3/2004	Weiser et al.	D11/149
D499,985 S	* 12/2004	Weiser	D11/162
D505,883 S	* 6/2005	Weiser	D11/162

\* cited by examiner

*Primary Examiner*—Catherine Tuttle  
(74) *Attorney, Agent, or Firm*—Cislo & Thomas, LLP

(57) **CLAIM**

I claim the ornamental design for a whimsical flamingo spinner, as shown and described.

**DESCRIPTION**

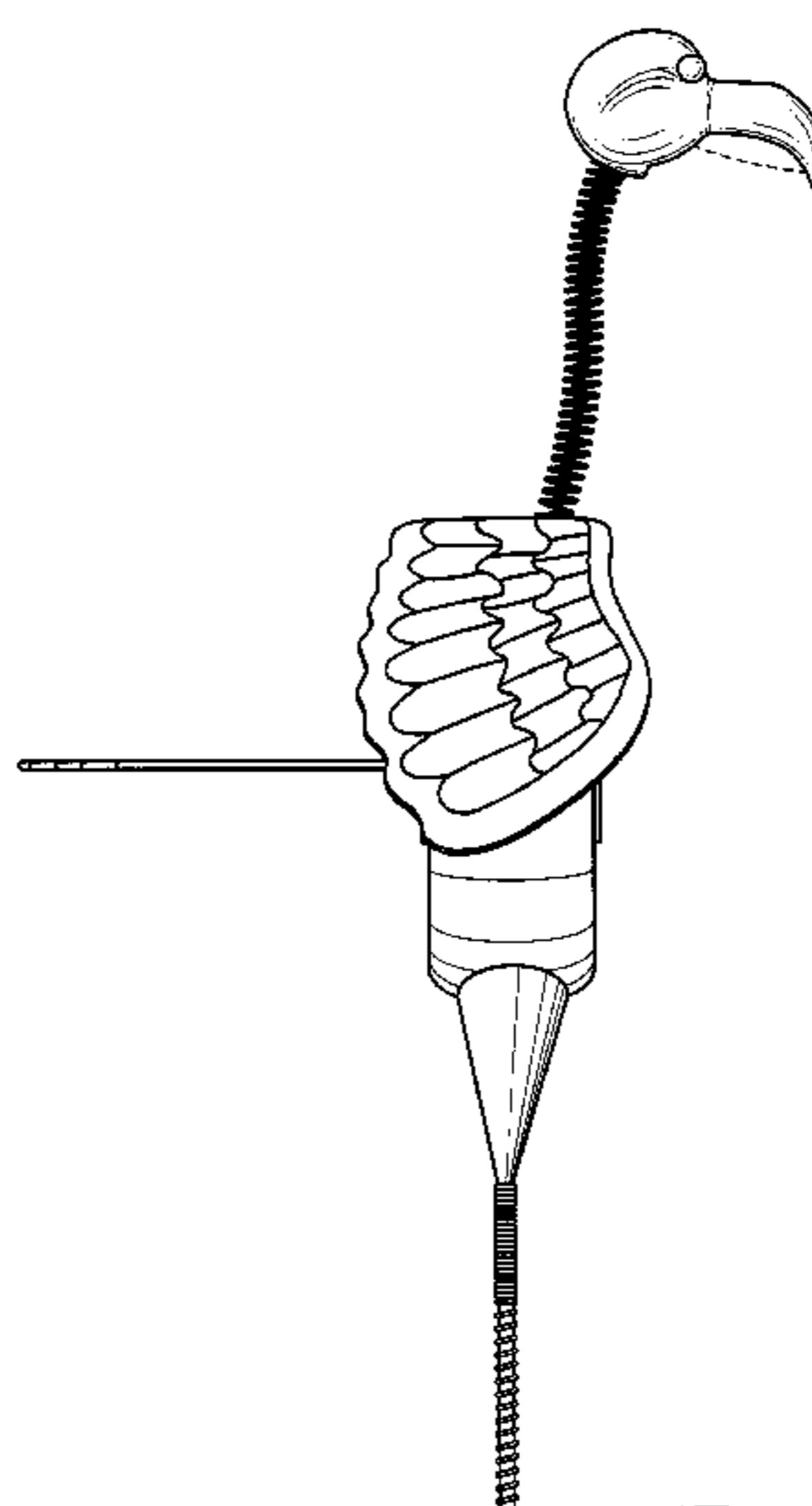
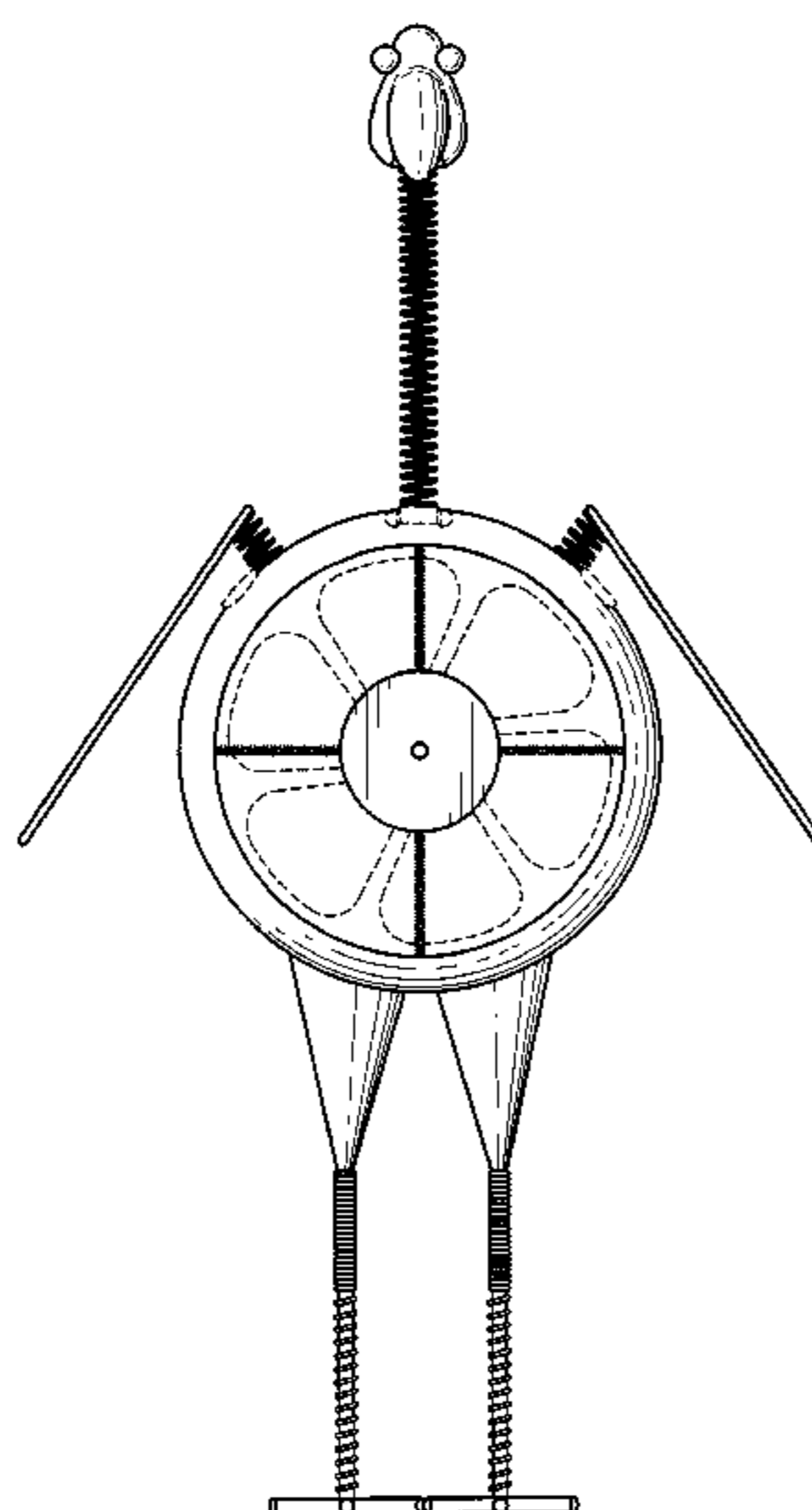
FIG. 1 is a front view of my whimsical flamingo spinner; FIG. 2 is a rear view thereof; FIG. 3 is a left side elevational view thereof with the right side elevational view being a mirror image; and FIG. 4 is a top view thereof. The broken lines are included for the purpose of illustrating portions of the article that form no part of the claimed design.

**1 Claim, 4 Drawing Sheets**

(56) **References Cited**

**U.S. PATENT DOCUMENTS**

278,461 A	5/1883	Screven	
854,190 A	* 5/1907	Wiedermann	40/477
1,538,562 A	5/1925	Koshalko	
1,591,661 A	7/1926	Dinsdale	
1,601,983 A	10/1926	Savage	
D75,871 S	7/1928	Reek	
D75,908 S	7/1928	Fridolph et al.	
D83,606 S	3/1931	Greenan	
1,814,314 A	7/1931	Kane et al.	
1,940,490 A	12/1933	Frazier	
D131,617 S	3/1942	Jacoby	
D142,968 S	11/1945	Royals	
D147,378 S	8/1947	Rouse	
D148,263 S	12/1947	Wagner	
2,729,022 A	1/1956	Polk	
D185,075 S	5/1959	Erenhouse	
D193,015 S	6/1962	Curtis	
3,220,253 A	11/1965	Parker	
3,290,817 A	12/1966	Kravath	



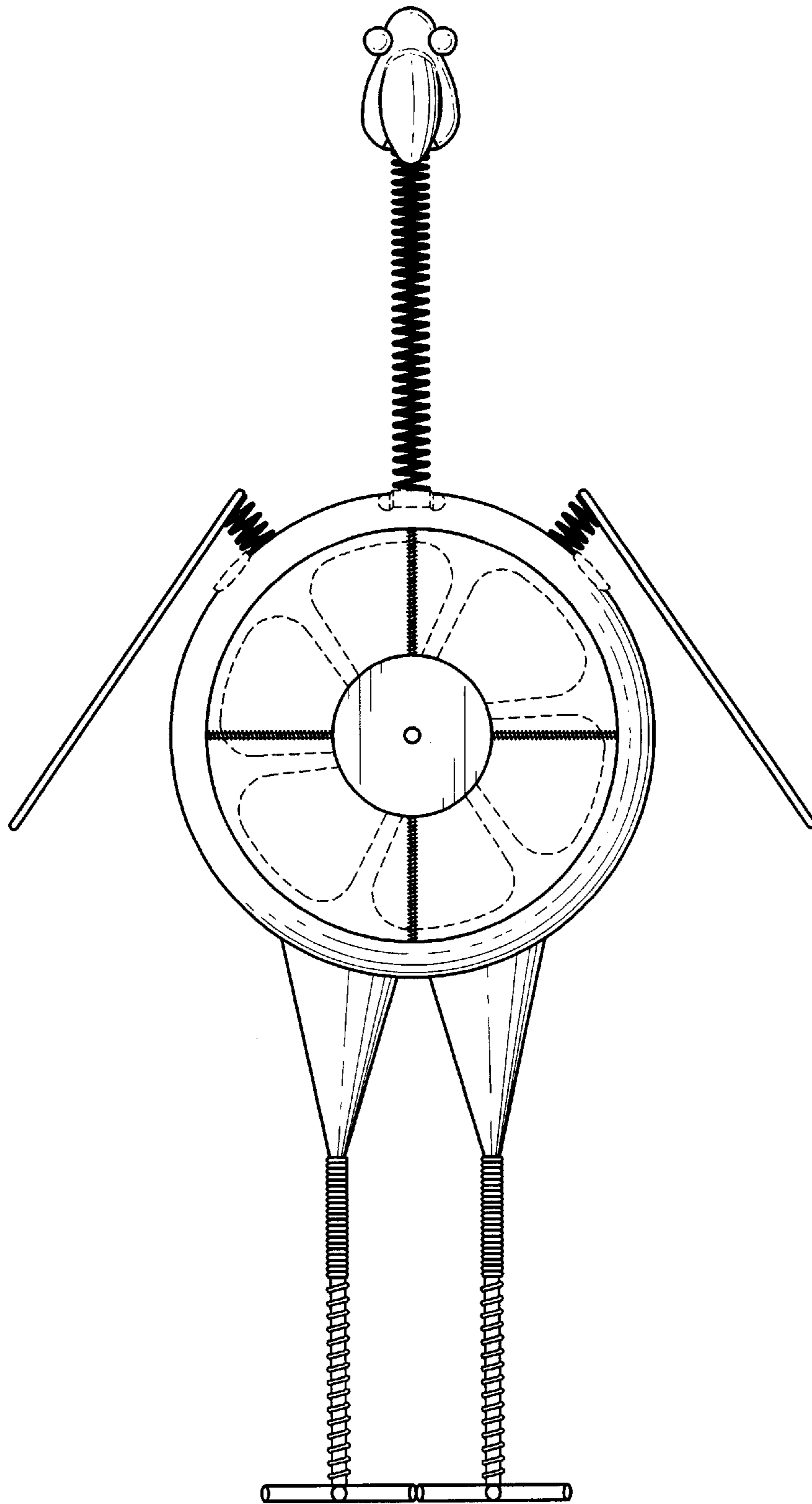


FIG. 1

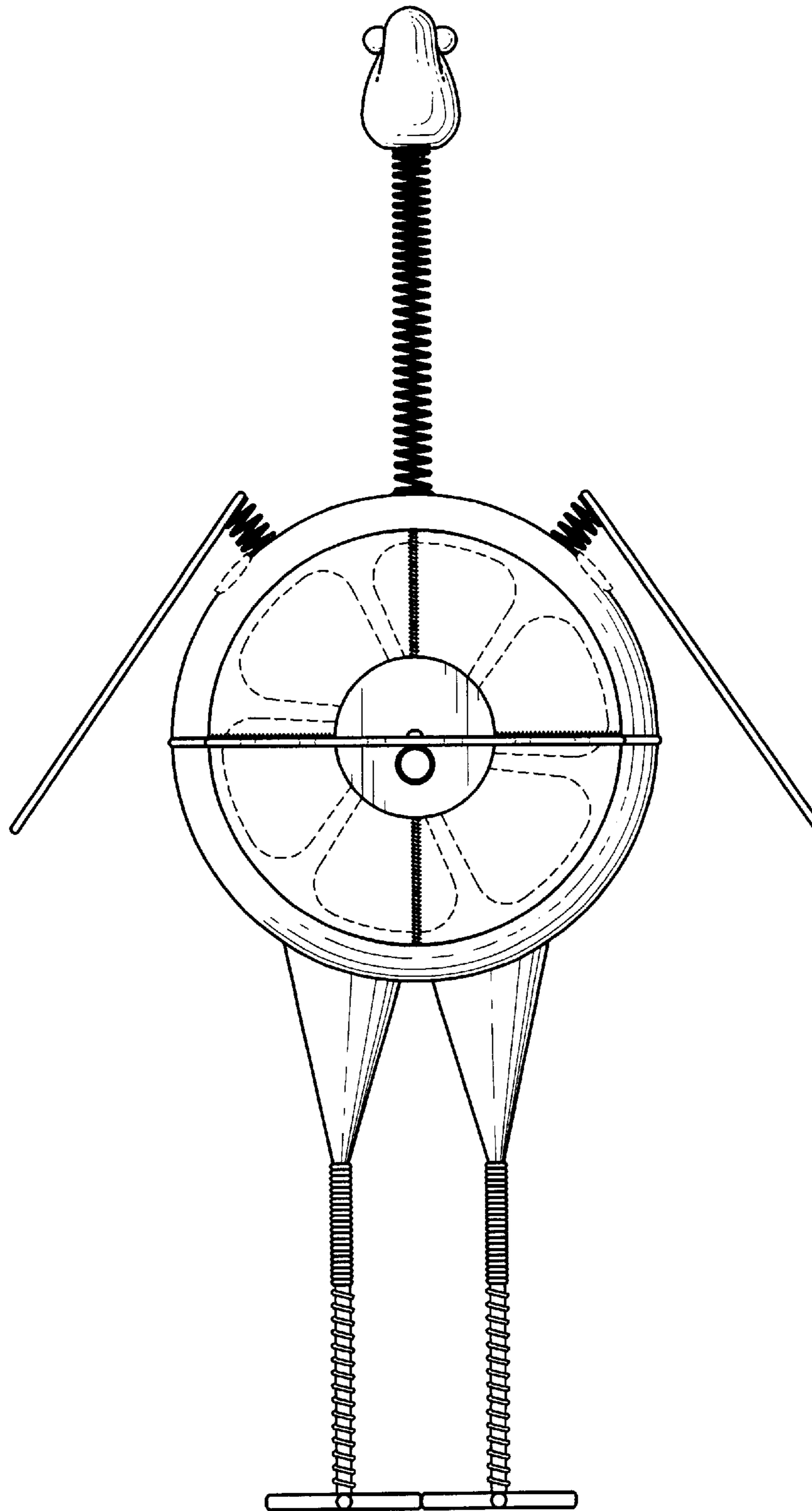


FIG. 2

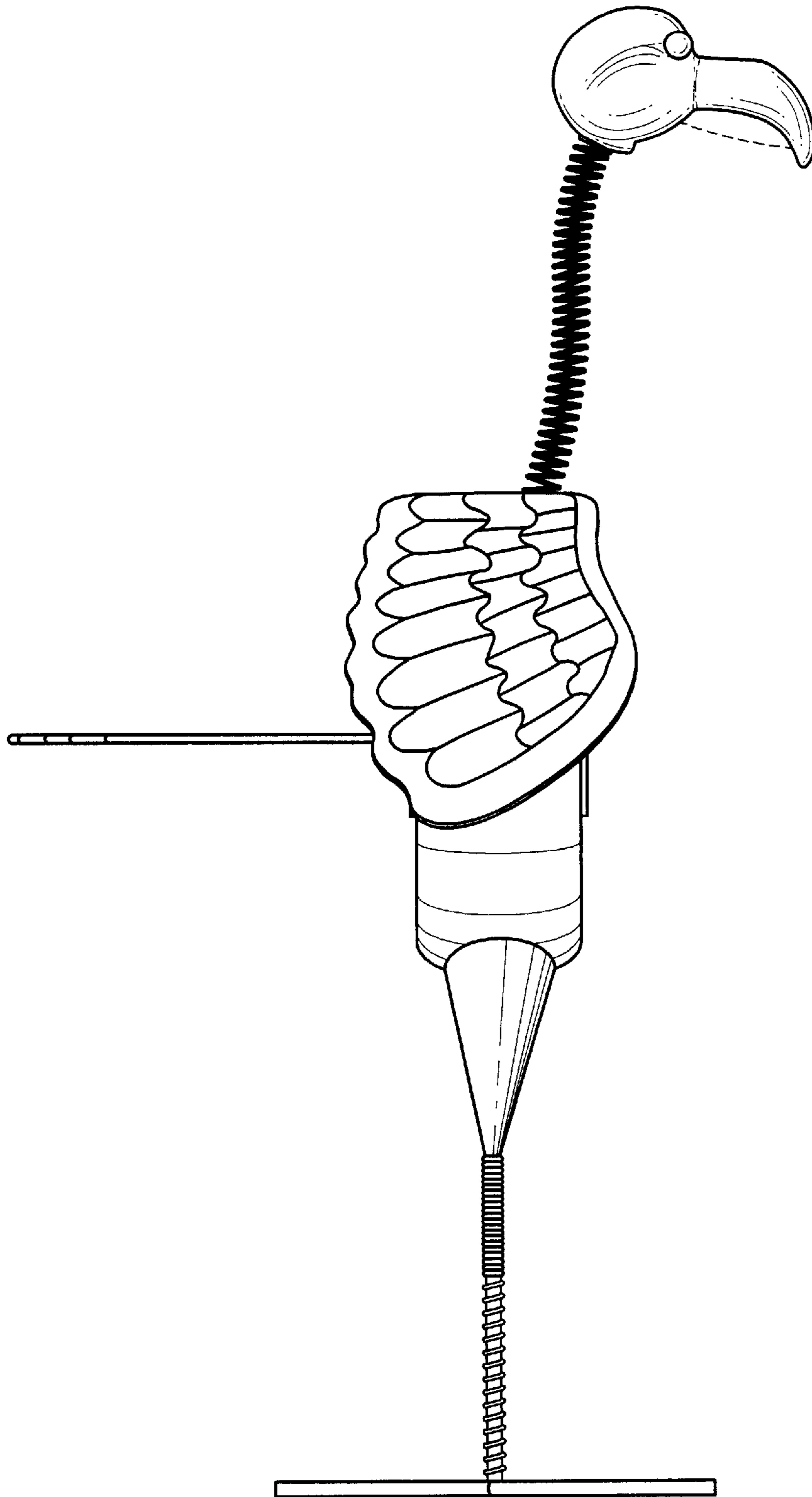


FIG. 3

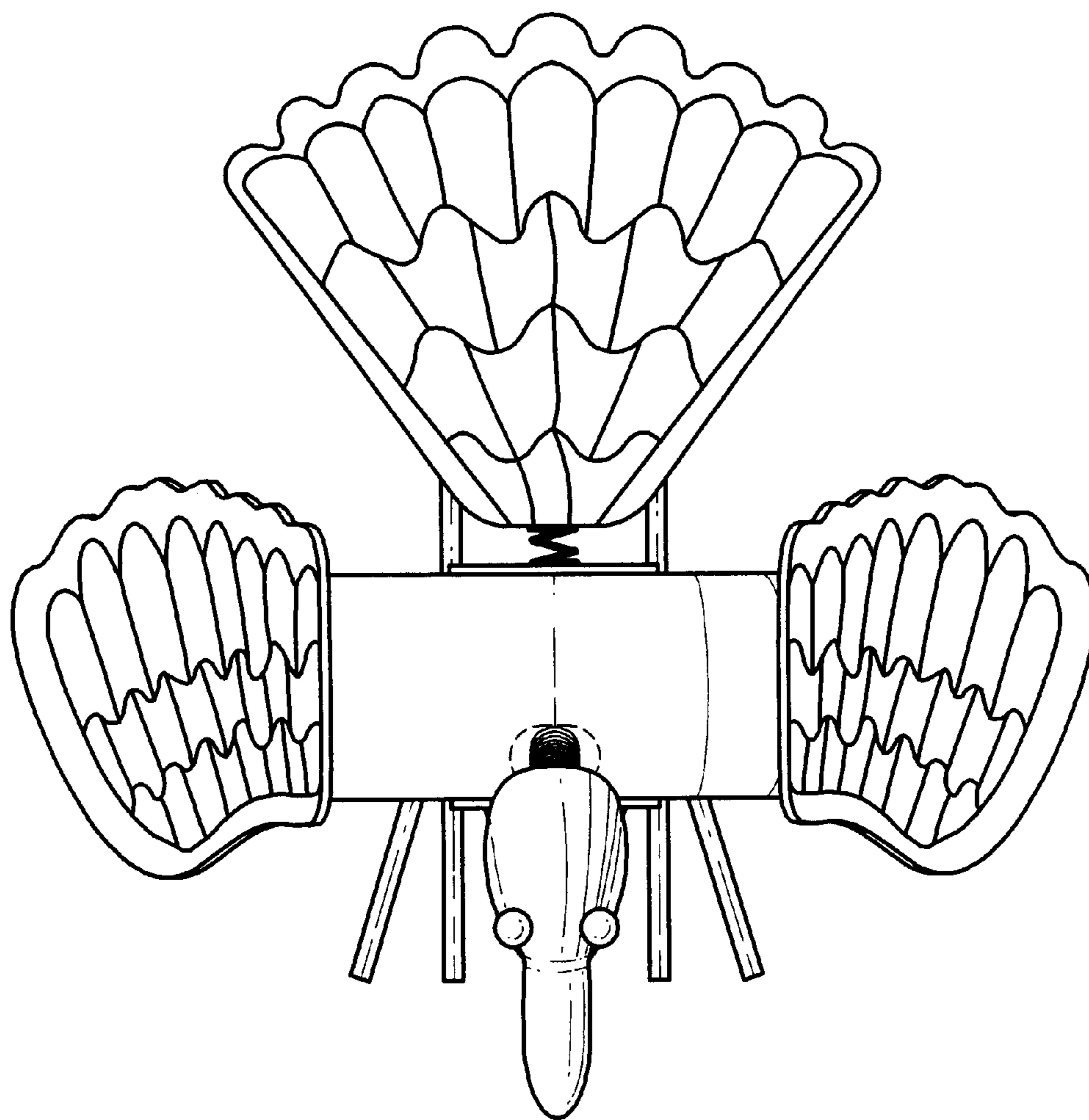


FIG. 4