



US00D534829S

(12) **United States Design Patent**  
**Arlanda**

(10) **Patent No.:** **US D534,829 S**

(45) **Date of Patent:** **\*\* \*Jan. 9, 2007**

(54) **RING**

(75) Inventor: **Severine Arlanda**, Saint Mandé (FR)

(73) Assignee: **Cartier International B.V.**, Amsterdam (NL)

(\* ) Notice: This patent is subject to a terminal disclaimer.

(\*\* ) Term: **14 Years**

(21) Appl. No.: **29/231,896**

(22) Filed: **Jun. 13, 2005**

(30) **Foreign Application Priority Data**

Dec. 13, 2004 (EM) ..... 000265905-0001

(51) **LOC (8) Cl.** ..... **11-01**

(52) **U.S. Cl.** ..... **D11/38**

(58) **Field of Classification Search** ..... D11/3,  
D11/26-39, 86, 91, 92; 63/15, 15.1-15.4,  
63/15.45, 15.5-15.6, 15.65, 15.7-15.9, 26-28  
See application file for complete search history.

(56) **References Cited**

**U.S. PATENT DOCUMENTS**

D279,462 S \* 7/1985 Weikel ..... D11/38

D299,912 S \* 2/1989 Goldman et al. .... D11/38  
D301,121 S \* 5/1989 Messa ..... D11/34  
D434,688 S \* 12/2000 Bulgari ..... D11/26  
D458,558 S \* 6/2002 Tschetter ..... D11/26  
D489,023 S \* 4/2004 Steiner ..... D11/38  
D498,695 S \* 11/2004 Gruosi ..... D11/38  
D524,185 S \* 7/2006 Arlanda ..... D11/38

\* cited by examiner

*Primary Examiner*—Ian Simmons

*Assistant Examiner*—Melanie Levy

(74) *Attorney, Agent, or Firm*—Oliff & Berridge, PLC

(57) **CLAIM**

The ornamental design for ring, as shown and described.

**DESCRIPTION**

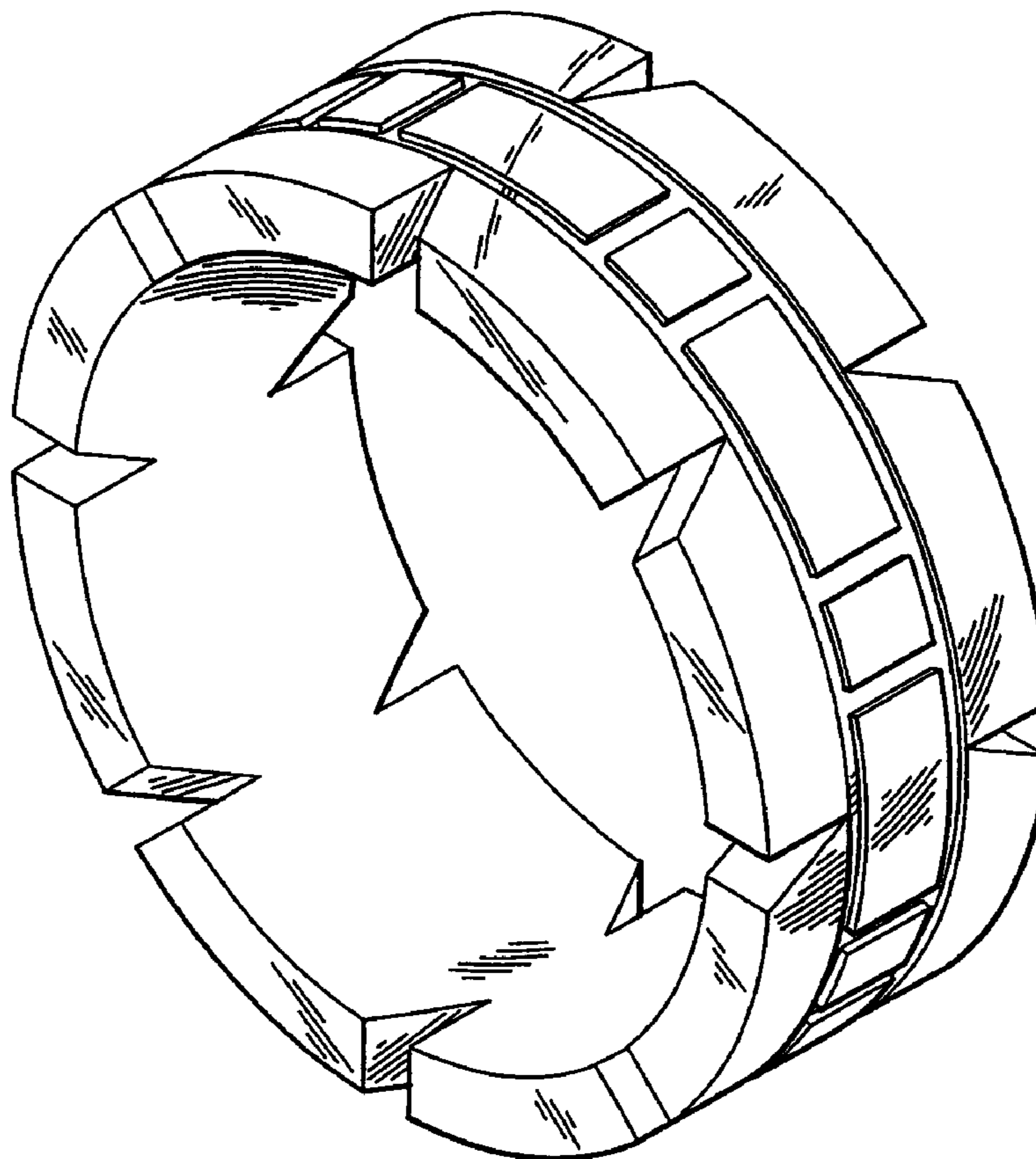
FIG. 1 is a perspective view of a ring;

FIG. 2 is a side view thereof;

FIG. 3 is an opposite side view thereof; and,

FIG. 4 is a front view thereof, the rear view being a mirror image.

**1 Claim, 2 Drawing Sheets**



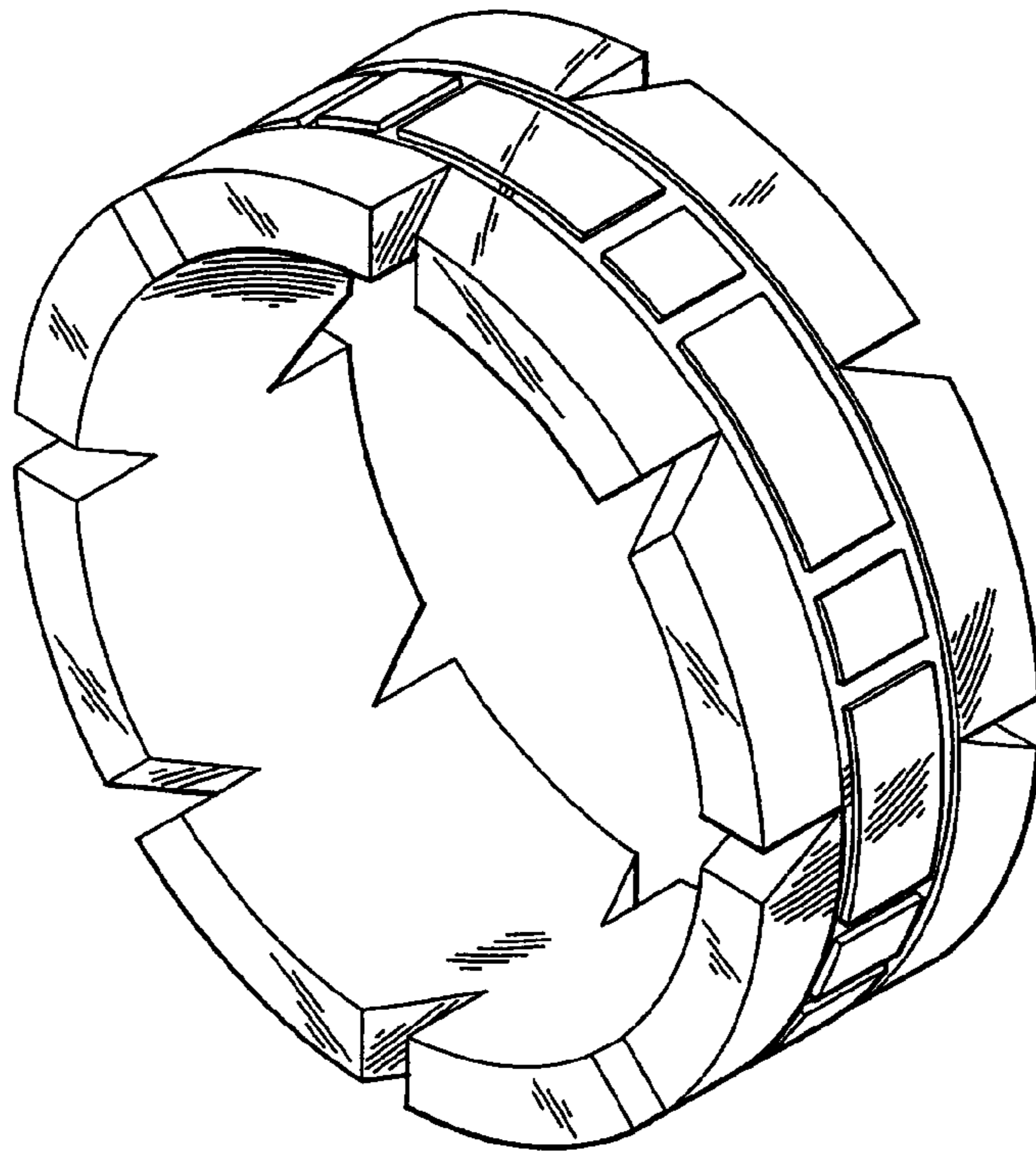


FIG. 1

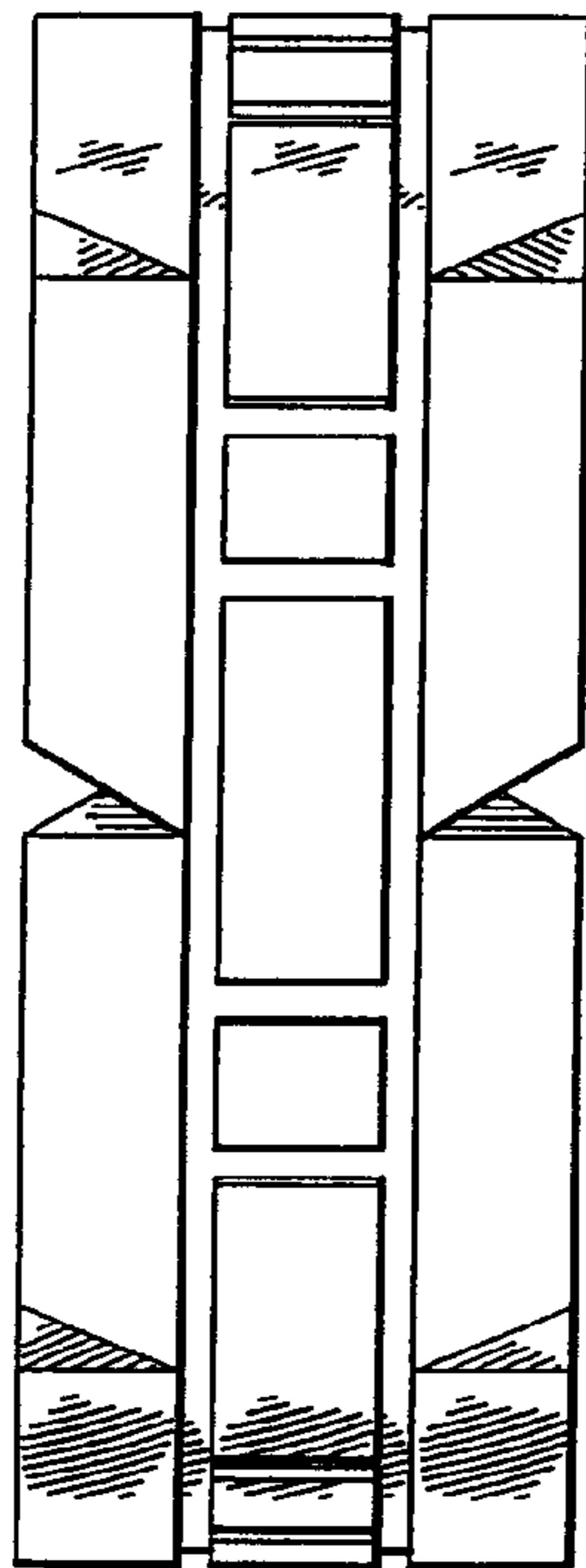


FIG. 2

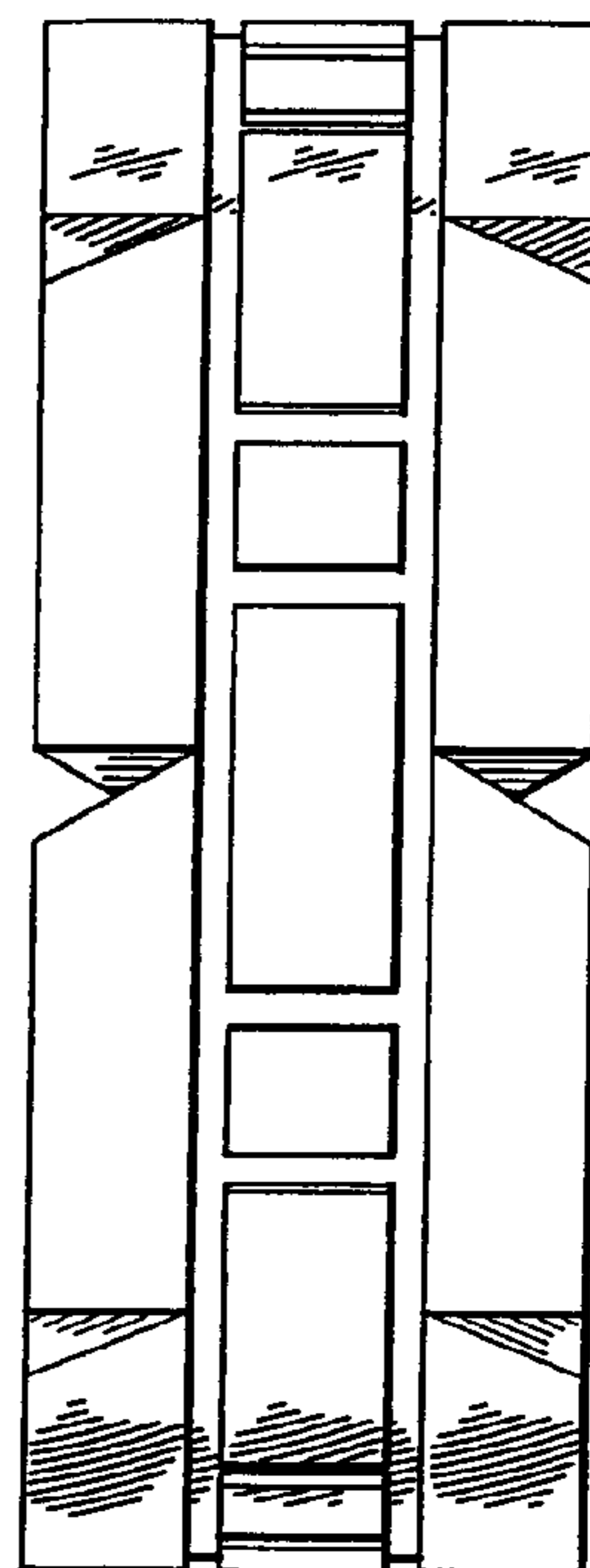


FIG. 3

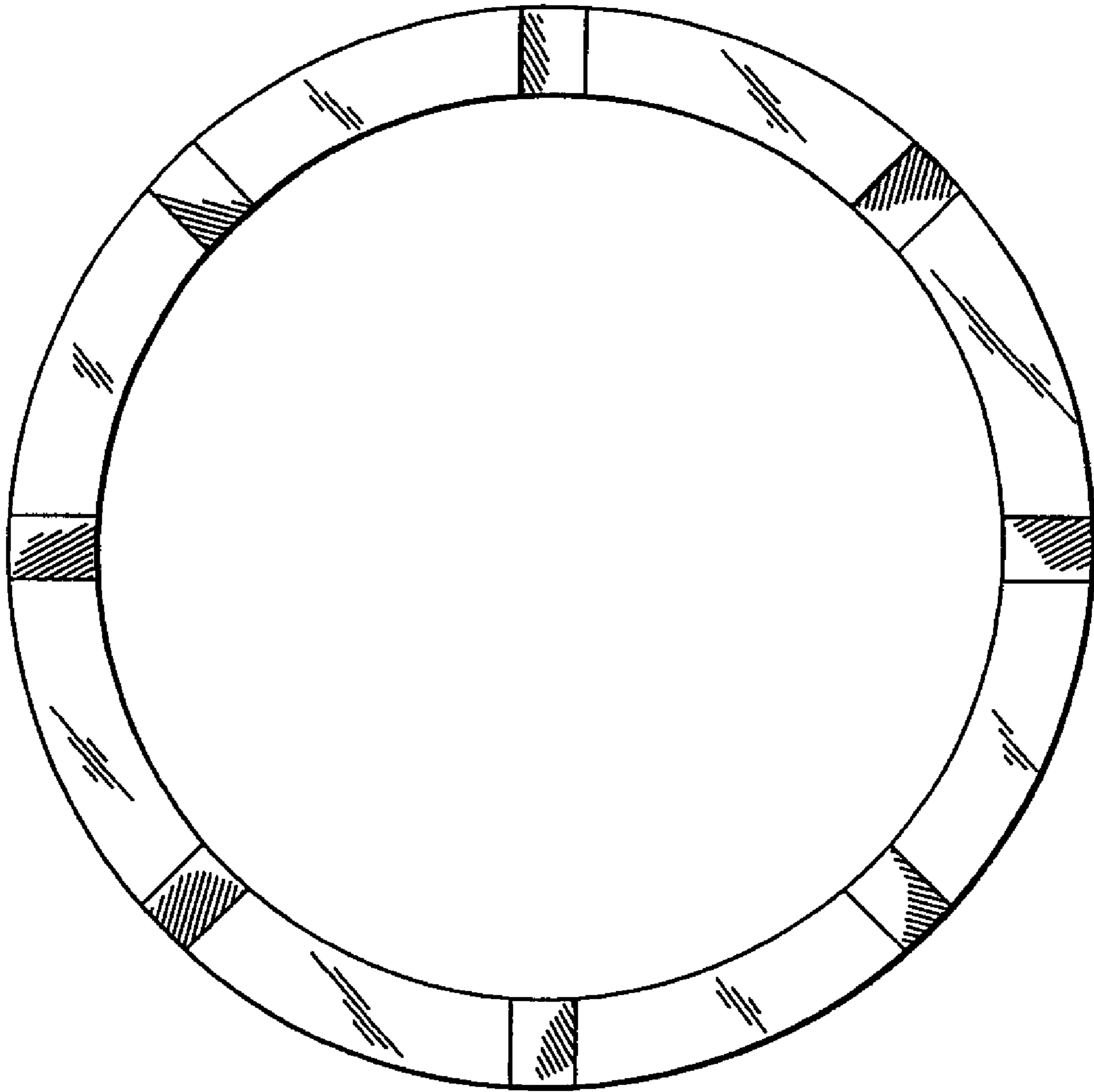


FIG. 4