



US00D534821S

(12) **United States Design Patent**
Chen

(10) **Patent No.:** **US D534,821 S**

(45) **Date of Patent:** **** Jan. 9, 2007**

(54) **ARMLET TYPE ALARM**

(76) Inventor: **Mike Chen**, 11 Rhode Island, Irvine,
CA (US) 92606

(**) Term: **14 Years**

(21) Appl. No.: **29/219,634**

(22) Filed: **Dec. 21, 2004**

(51) **LOC (8) Cl.** **10-05**

(52) **U.S. Cl.** **D10/104; D10/32**

(58) **Field of Classification Search** D14/158,
D14/140, 240, 223, 346, 137, 138, 144, 147,
D14/341, 344; D10/38, 106, 128, 33, 35,
D10/39; D3/208; D13/168; D30/152; 340/573.4,
340/539.13, 573.3, 573.1; 368/140, 72; 342/357.06
See application file for complete search history.

(56) **References Cited**

U.S. PATENT DOCUMENTS

D163,987	S	*	7/1951	Barre	D10/38
2,852,908	A	*	9/1958	Stern et al.	368/77
D395,011	S	*	6/1998	Hanagata	D10/30
D406,073	S	*	2/1999	Clemons	D10/104
D468,706	S	*	1/2003	Schelbach	D13/168
D482,340	S	*	11/2003	Cianfanelli	D14/144

D489,997	S	*	5/2004	Houlihan	D10/30
D508,038	S	*	8/2005	Bonadei	D14/138
D516,052	S	*	2/2006	Johnson et al.	D14/158
2002/0145522	A1	*	10/2002	Pembroke	340/573.1
2004/0001001	A1	*	1/2004	Perlman et al.	340/573.1
2004/0081025	A1	*	4/2004	Chen	368/10
2004/0243009	A1	*	12/2004	Tanaka et al.	600/503
2005/0007885	A1	*	1/2005	Gilmour	368/13
2006/0125645	A1	*	6/2006	Zittrain et al.	340/573.1

* cited by examiner

Primary Examiner—Cathron C. Brooks

Assistant Examiner—Austin Murphy

(57) **CLAIM**

The ornamental design for an armband type alarm, as shown and described.

DESCRIPTION

FIG. 1 is a perspective view of an armband type alarm;
FIG. 2 is a front elevation thereof;
FIG. 3 is a rear elevation thereof;
FIG. 4 is a left side elevation thereof;
FIG. 5 is a right side elevation thereof;
FIG. 6 is a top plan view thereof; and,
FIG. 7 is a bottom view thereof.

1 Claim, 4 Drawing Sheets

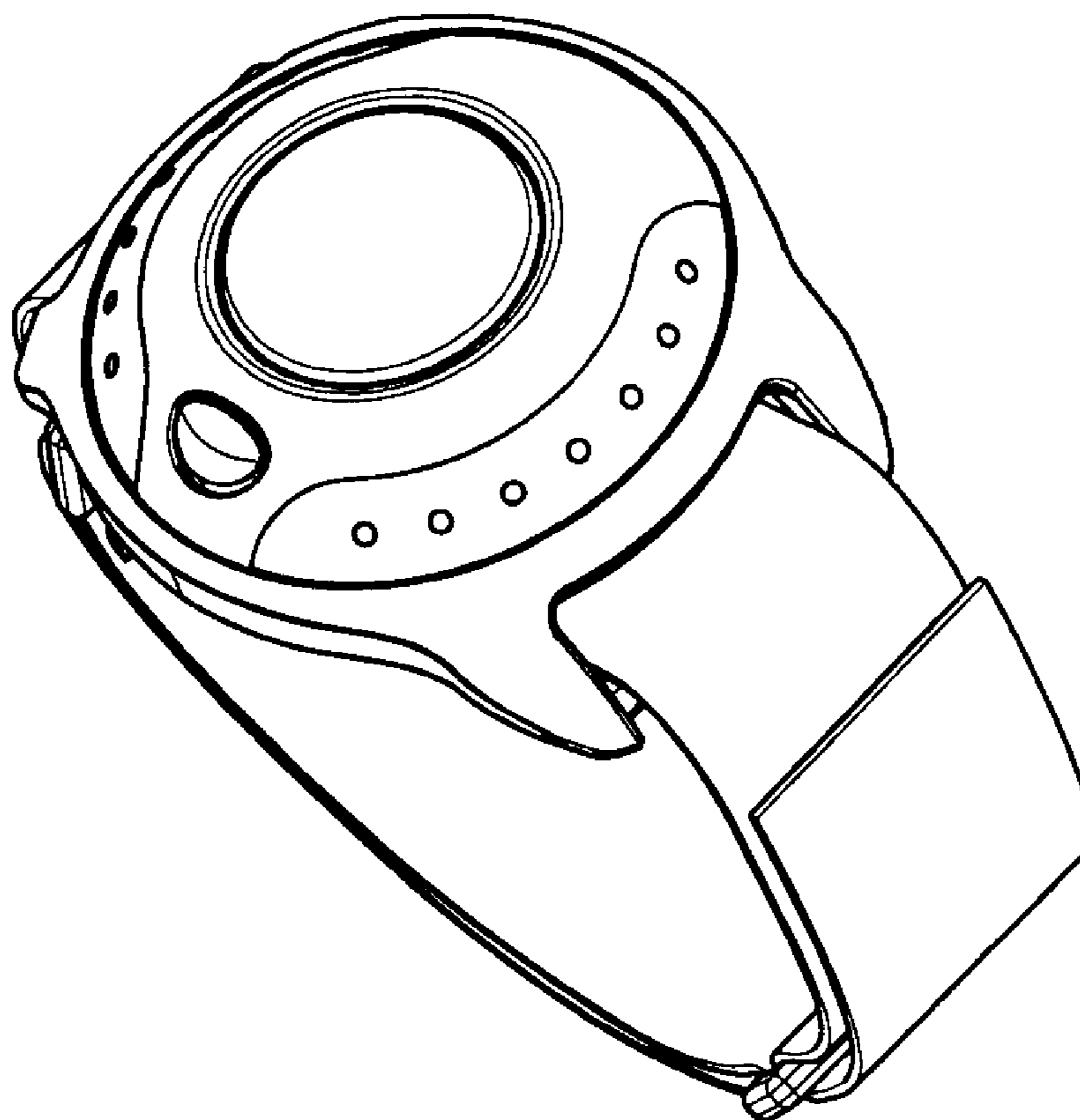




Fig. 1

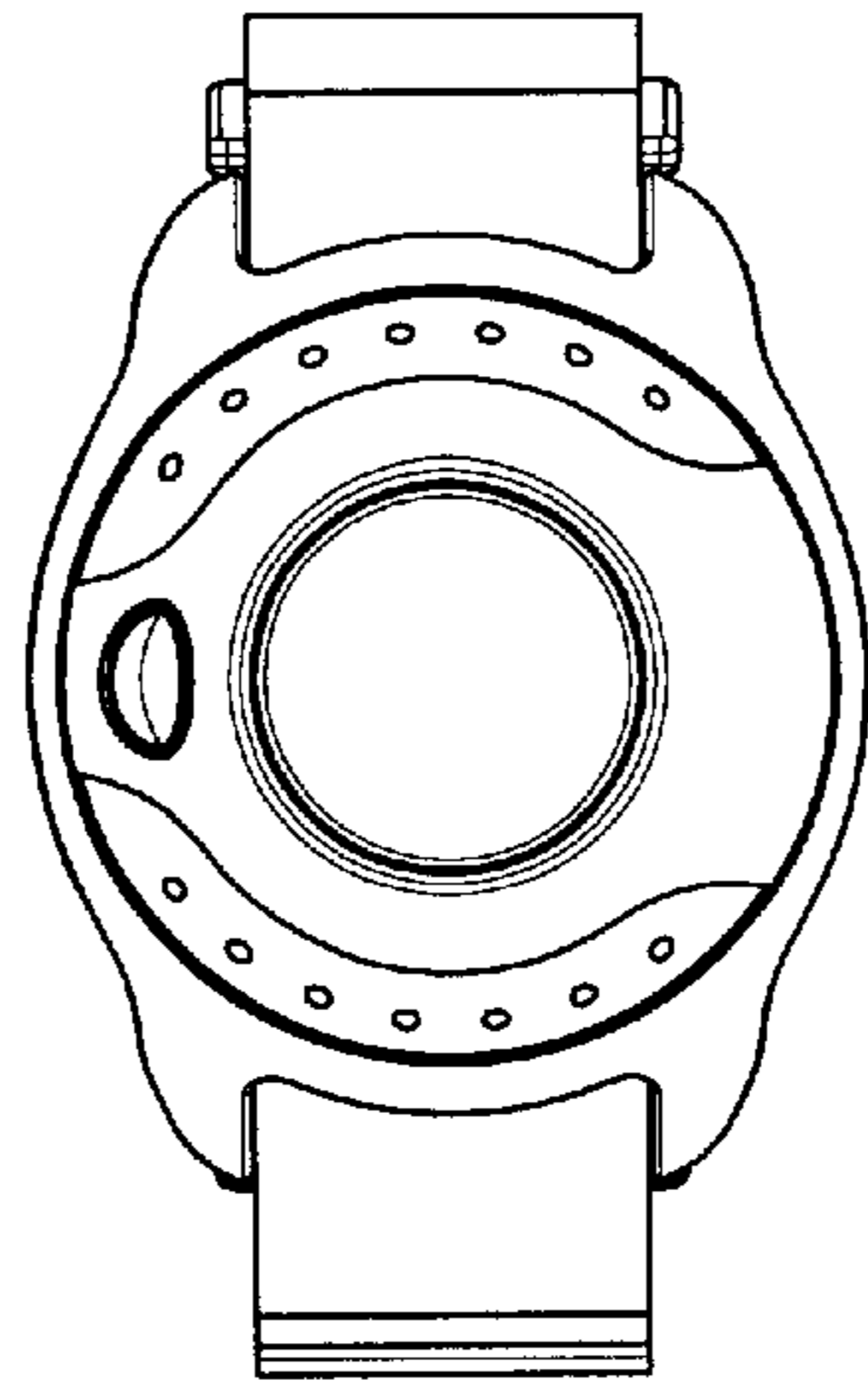


Fig. 2

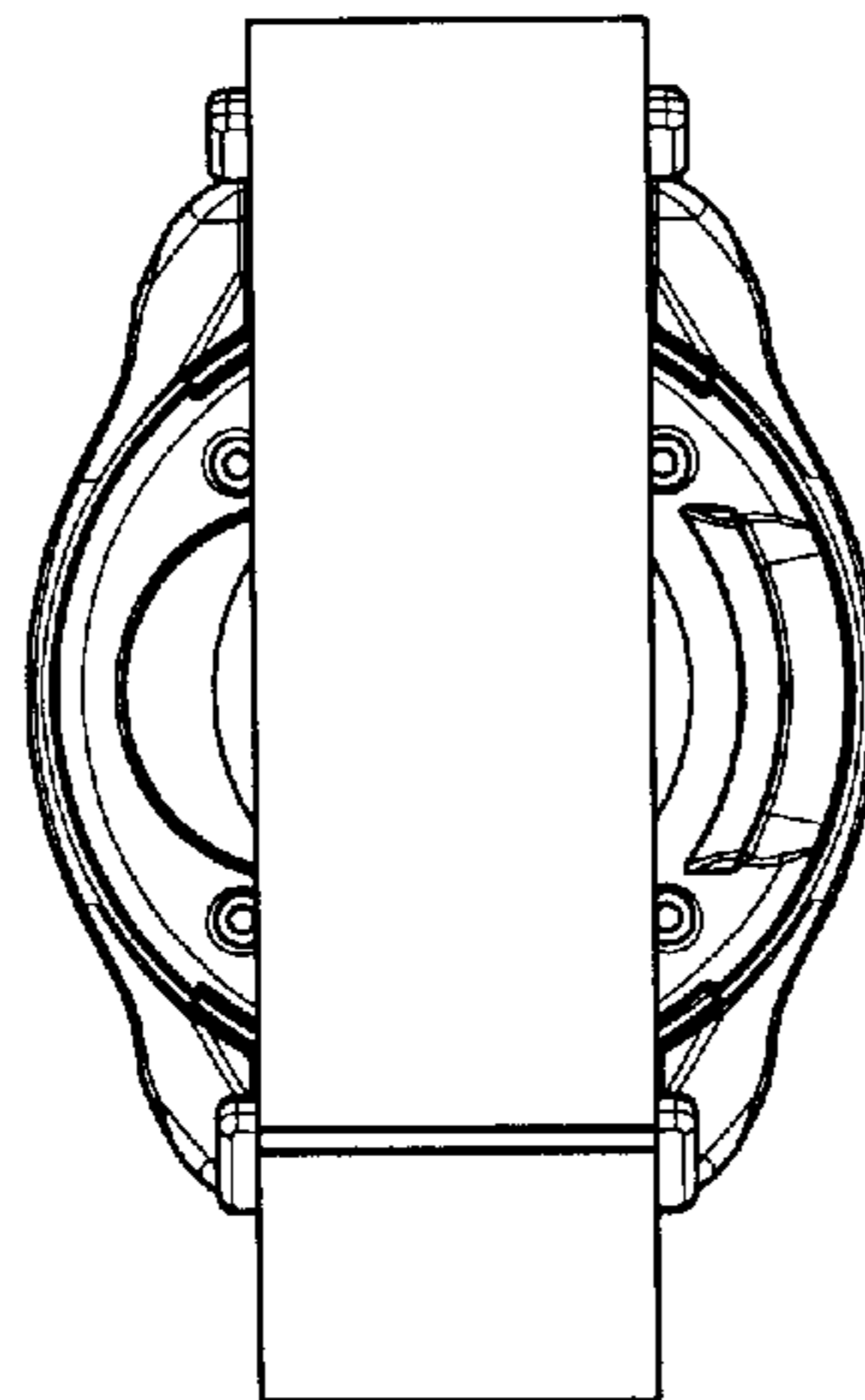


Fig. 3

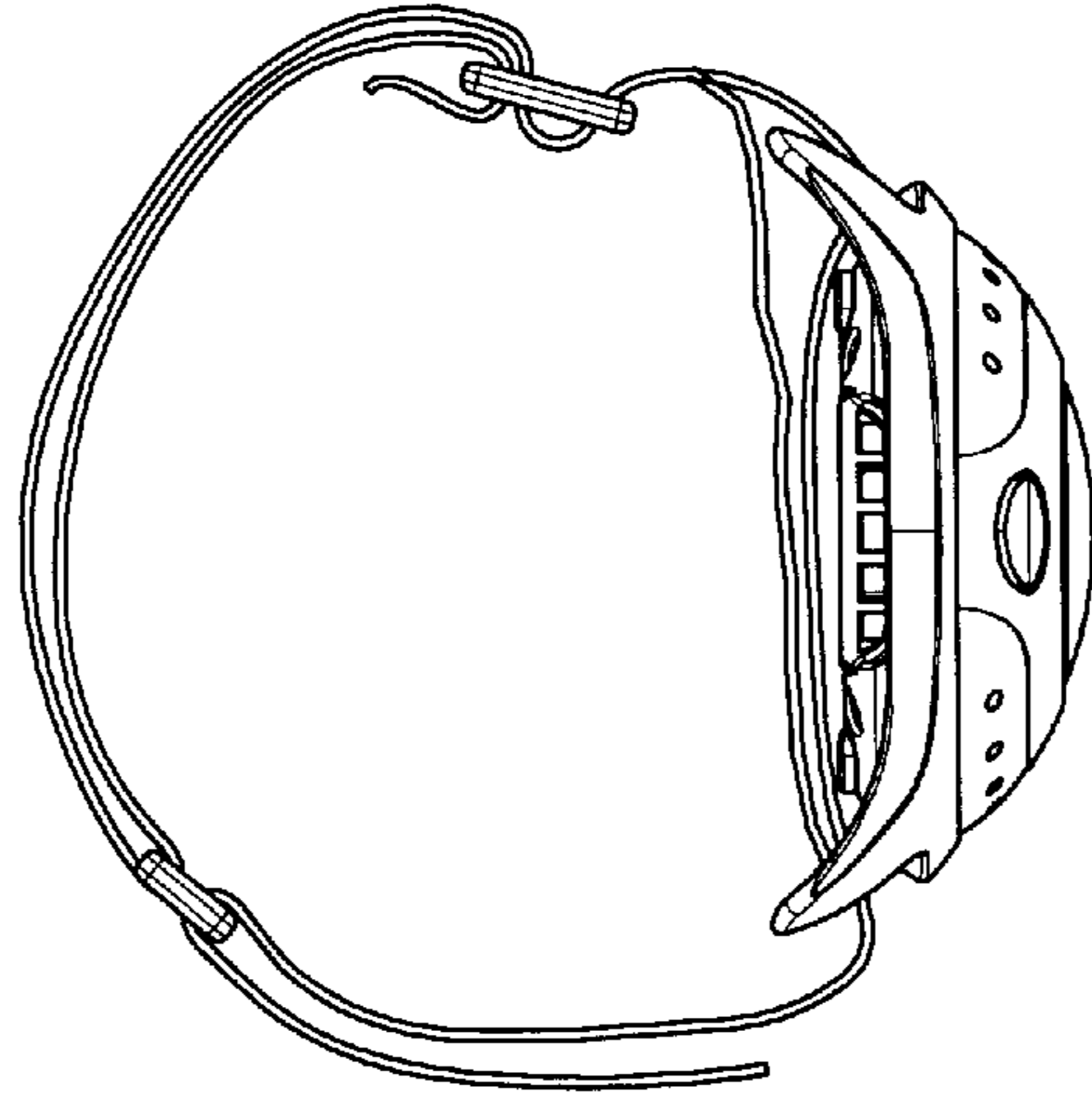


Fig. 4

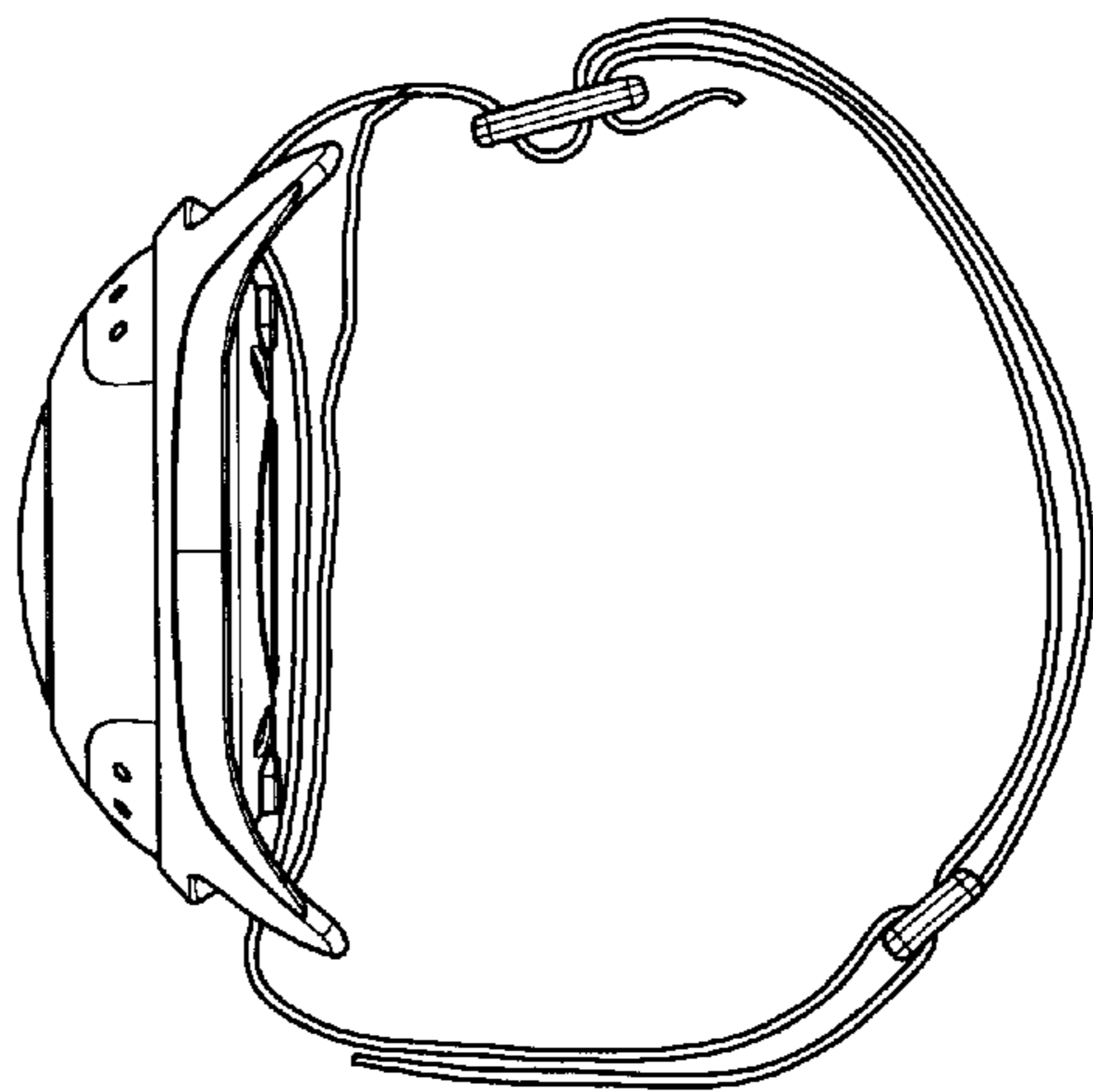


Fig. 5

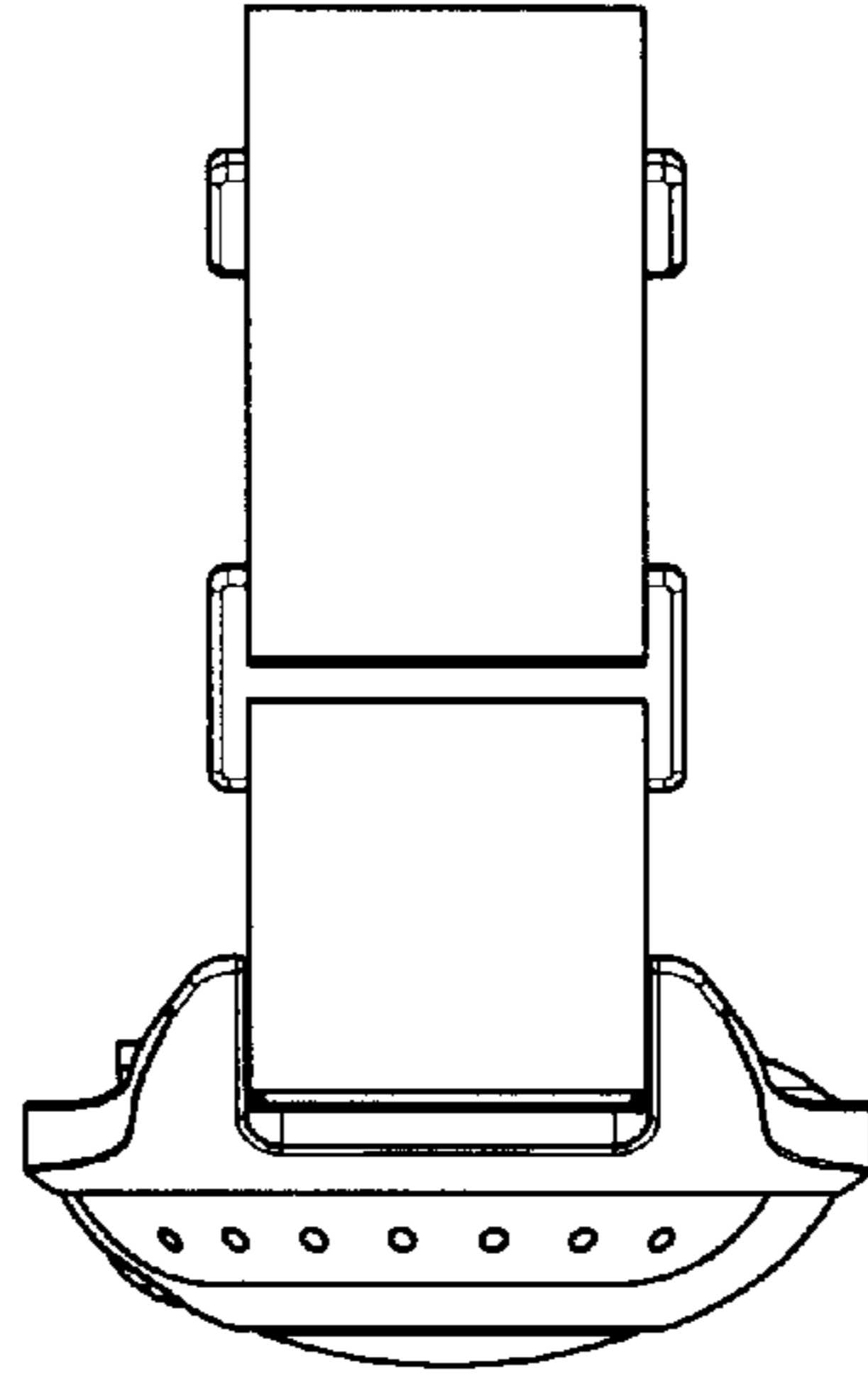


Fig. 6

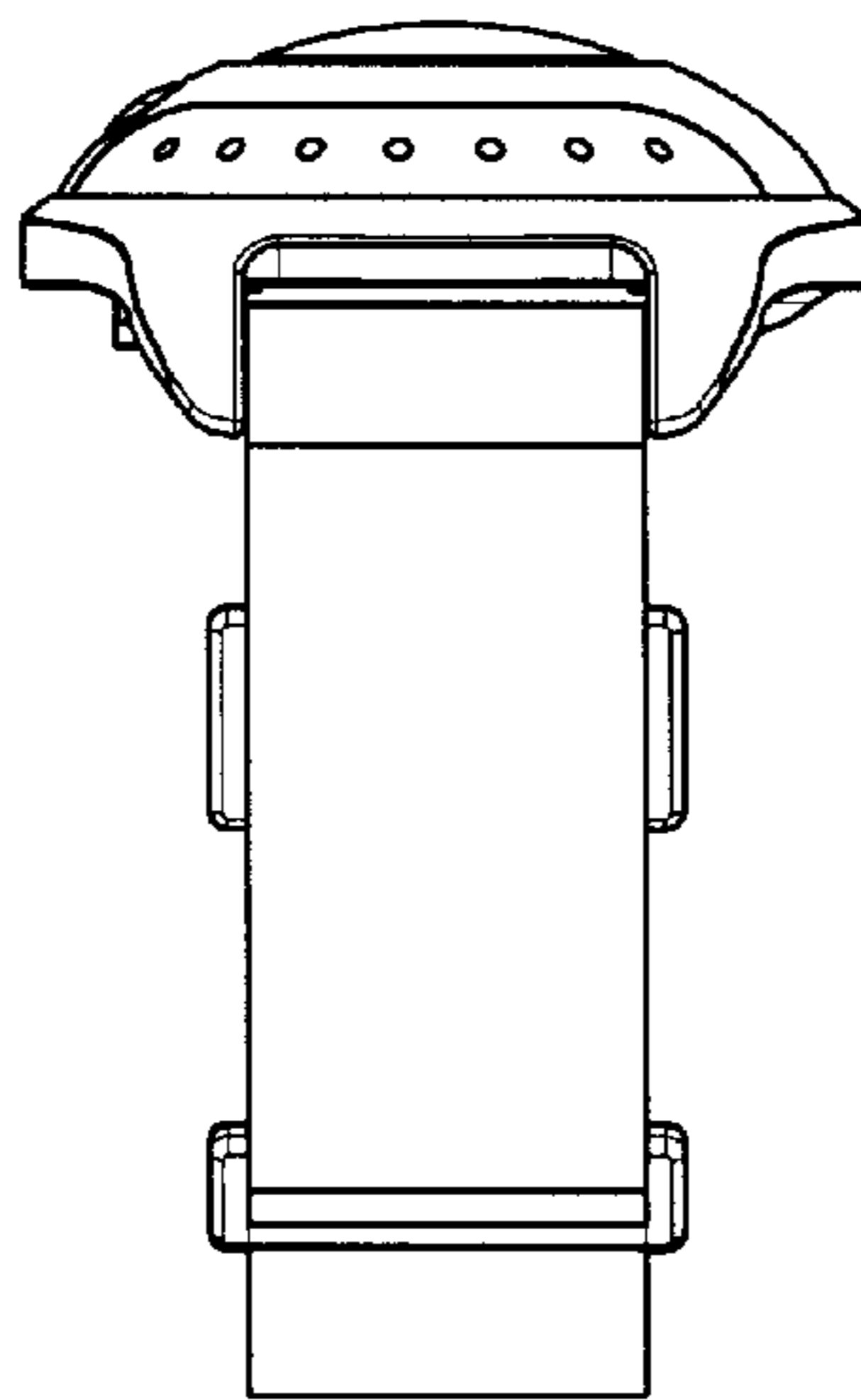


Fig. 7